



US0D1039333S

(12) **United States Design Patent** (10) **Patent No.:** **US D1,039,333 S**
Khan (45) **Date of Patent:** **** *Aug. 20, 2024**

- (54) **BOWL**
- (71) Applicant: **Faisal Khan**, Frisco, TX (US)
- (72) Inventor: **Faisal Khan**, Frisco, TX (US)
- (*) Notice: This patent is subject to a terminal disclaimer.
- (**) Term: **15 Years**
- (21) Appl. No.: **29/805,421**
- (22) Filed: **Aug. 26, 2021**

- D173,612 S 12/1954 Angeles
- D188,502 S 8/1960 Metzler
- D291,042 S 7/1987 Fahey et al.
- D466,256 S * 11/2002 Kaplan D30/129
- D512,598 S * 12/2005 Shore D7/325
- D533,405 S * 12/2006 Barducci D7/584
- D670,451 S * 11/2012 Able D30/129
- D735,535 S * 8/2015 Kaslik D7/602
- D749,368 S * 2/2016 Risso D9/503
- D760,030 S * 6/2016 Wilson D30/129
- D802,977 S * 11/2017 Bodum D7/319
- D853,824 S * 7/2019 Kravchenko D8/354
- D957,892 S 7/2022 Wu

(Continued)

Related U.S. Application Data

- (63) Continuation-in-part of application No. 15/821,829, filed on Nov. 23, 2017, now Pat. No. 11,071,400.
- (51) **LOC (14) Cl.** **07-01**
- (52) **U.S. Cl.**
USPC **D7/558**
- (58) **Field of Classification Search**
USPC D7/587, 558, 602, 603, 605, 608, 612,
D7/629, 325; D11/143, 152; D19/102,
D19/104; D30/129
CPC A47G 19/12; A47G 19/30; A47G 23/04;
A47J 31/401; A47J 43/0727
See application file for complete search history.

References Cited

U.S. PATENT DOCUMENTS

- D110,902 S * 8/1938 Unterlander 220/630
- D112,920 S 1/1939 Baker
- D119,587 S * 3/1940 Fuerst D7/558
- D126,233 S 4/1941 Bartsch
- 2,324,351 A 7/1943 Baker
- 2,329,279 A 9/1943 Lower
- 2,353,383 A 7/1944 Albert
- 2,438,546 A 3/1948 Joseph
- 2,545,733 A 3/1951 Hatfield
- 2,683,974 A 7/1954 Brown

OTHER PUBLICATIONS

Avanchy Baby Bowls | posted at Amazon.com, review posted on Nov. 24, 2015, © 1996-2023 Amazon.com, [online], [site visited Jul. 1, 2023]. Available from Internet, <URL: <https://www.amazon.com/Avanchy-Feeding-Bamboo-Spill-Suction/dp/B00Y9XZA6S/?th=1>> (Year: 2015).*

(Continued)

Primary Examiner — Andrew Kerr
(74) *Attorney, Agent, or Firm* — Avek IP, LLC

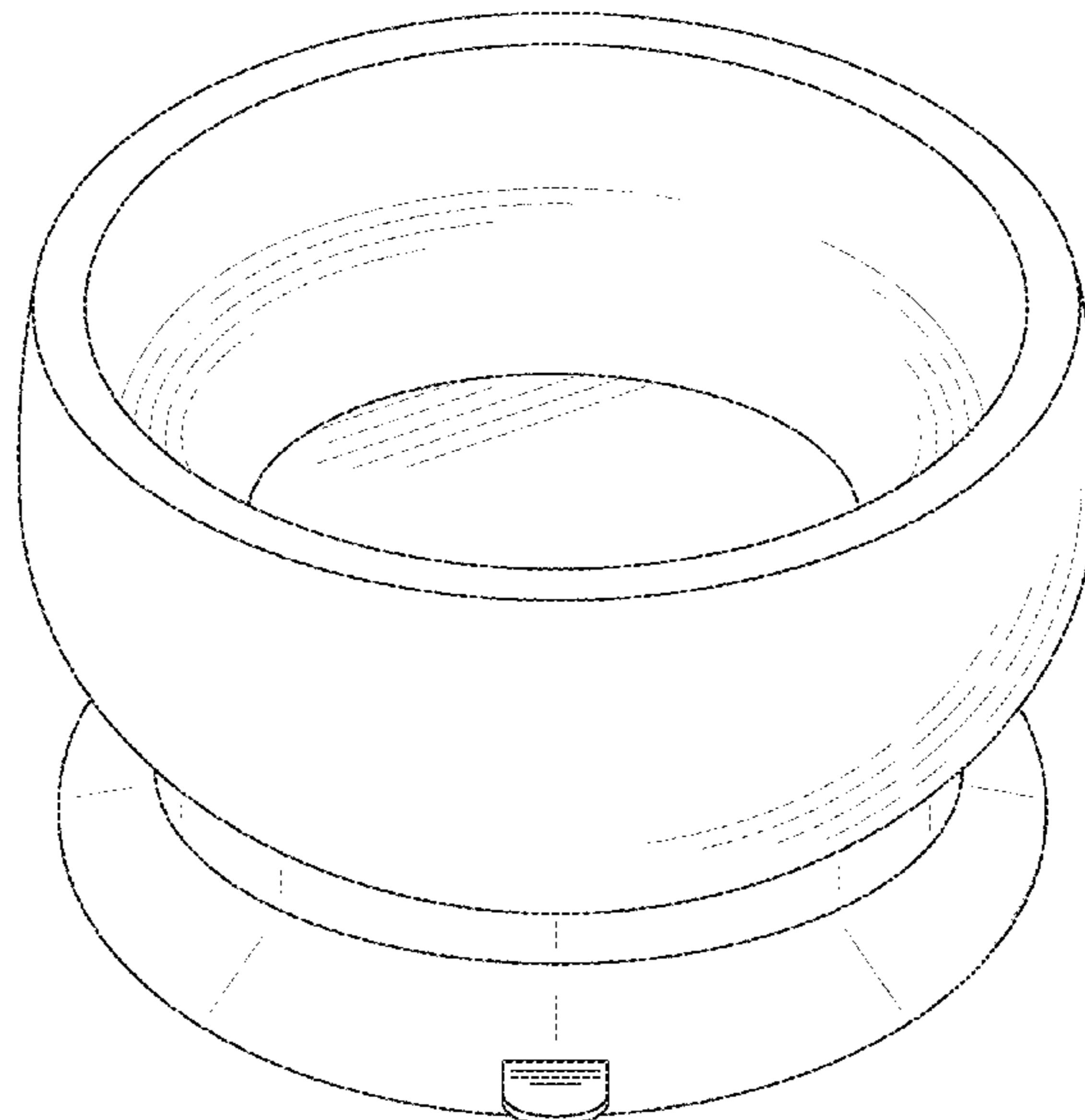
(57) **CLAIM**

The ornamental design for a bowl, as shown and described.

DESCRIPTION

FIG. 1 is an isometric view of a bowl according my new design;
FIG. 2 is a first side view of the bowl;
FIG. 3 is a second side view of the bowl;
FIG. 4 is a top view of the bowl; and,
FIG. 5 is a bottom view of the bowl.
Broken lines in the accompanying drawings illustrate unclaimed environmental structure and form no part of the claimed design.

1 Claim, 4 Drawing Sheets



(56)

References Cited

U.S. PATENT DOCUMENTS

D974,848 S 1/2023 Lin et al.
D974,850 S * 1/2023 Lin D7/584
2012/0017837 A1* 1/2012 Crawford A01K 5/0114
119/61.1

OTHER PUBLICATIONS

Bamboo Baby Plate, Avanchy. First announced, Sep. 7, 2016 [online]. [site visited Jun. 5, 2023]. Available from internet, URL: (Year: 2016).

Non-Final Office Action, dated Jun. 20, 2023, 13 pages, issued in U.S. Appl. No. 29/805,419.

Stainless Steel Silicon Suction Plate, Avanchy. First announced, Aug. 9, 2018 [online]. [site visited May 30, 2023]. Available from internet, URL: (Year: 2018).

* cited by examiner

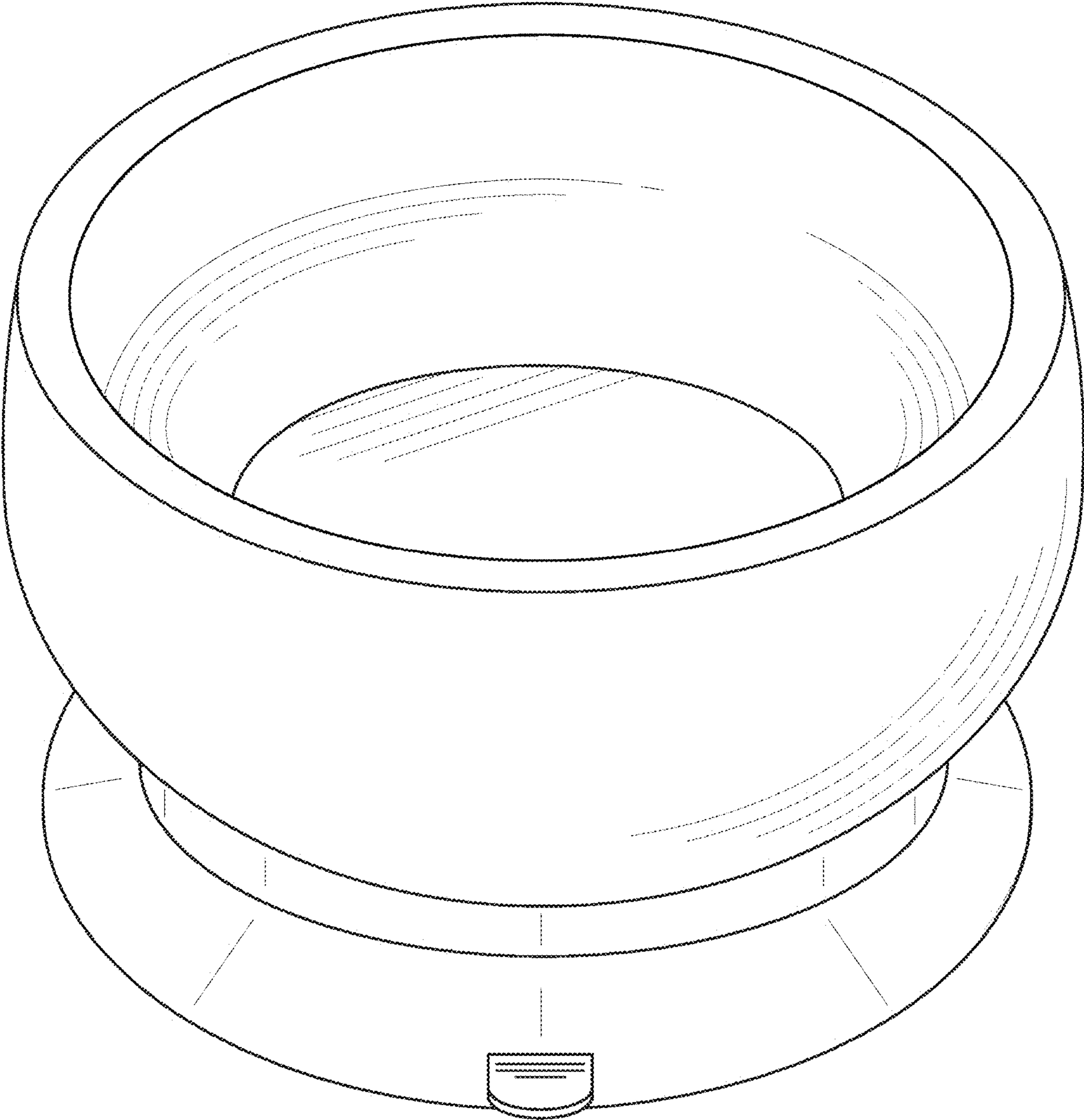


FIG. 1

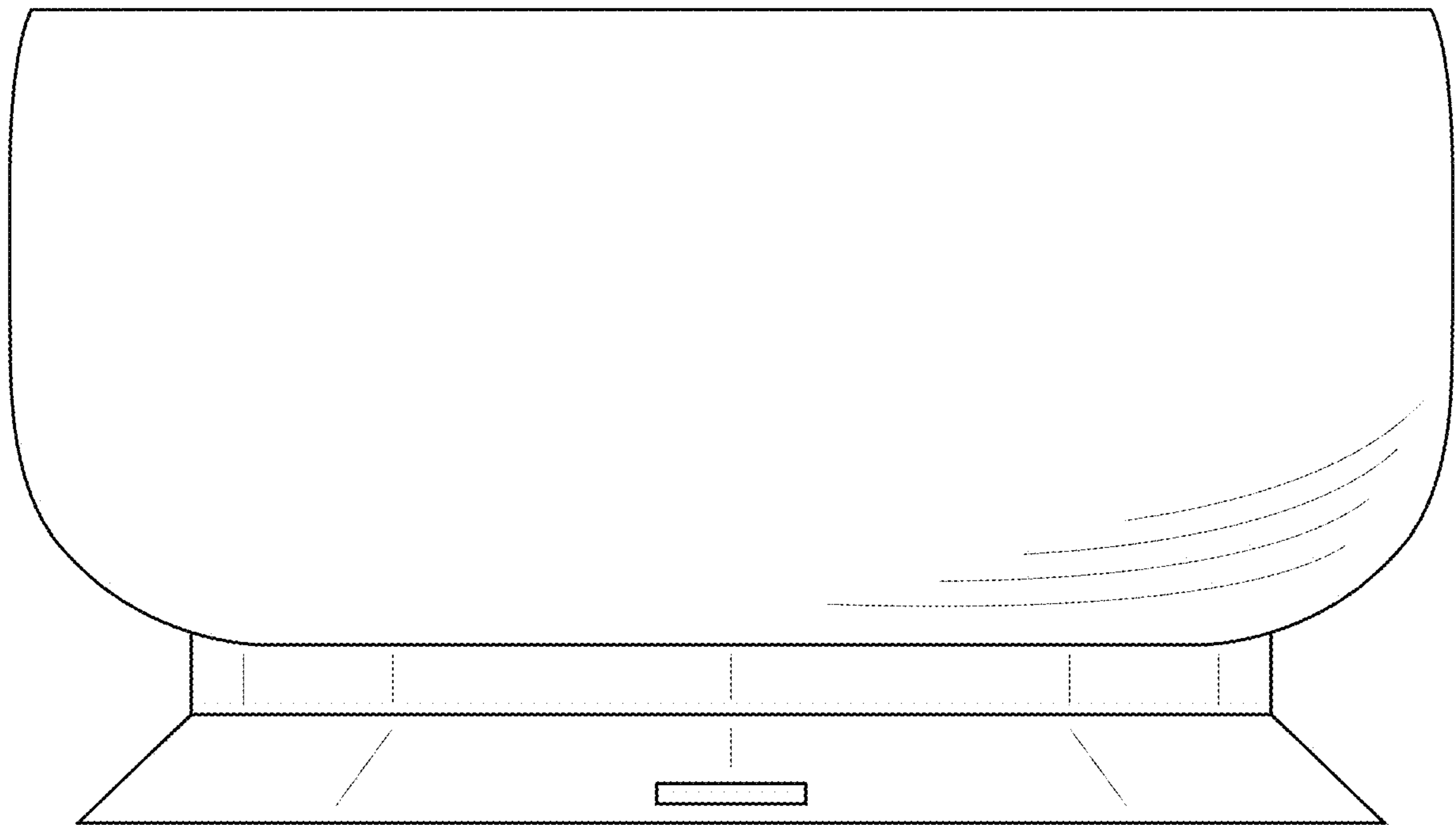


FIG. 2

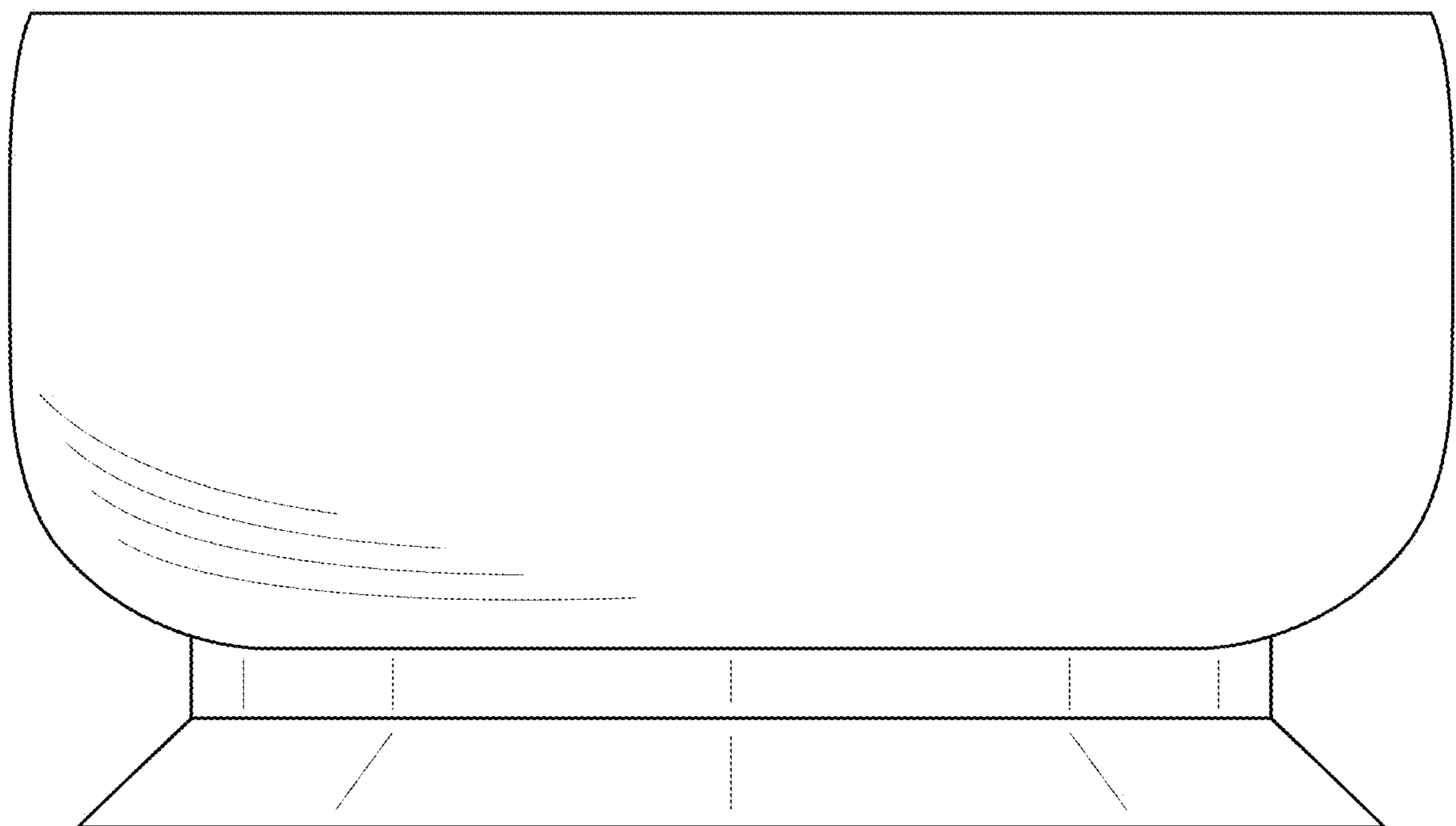


FIG. 3

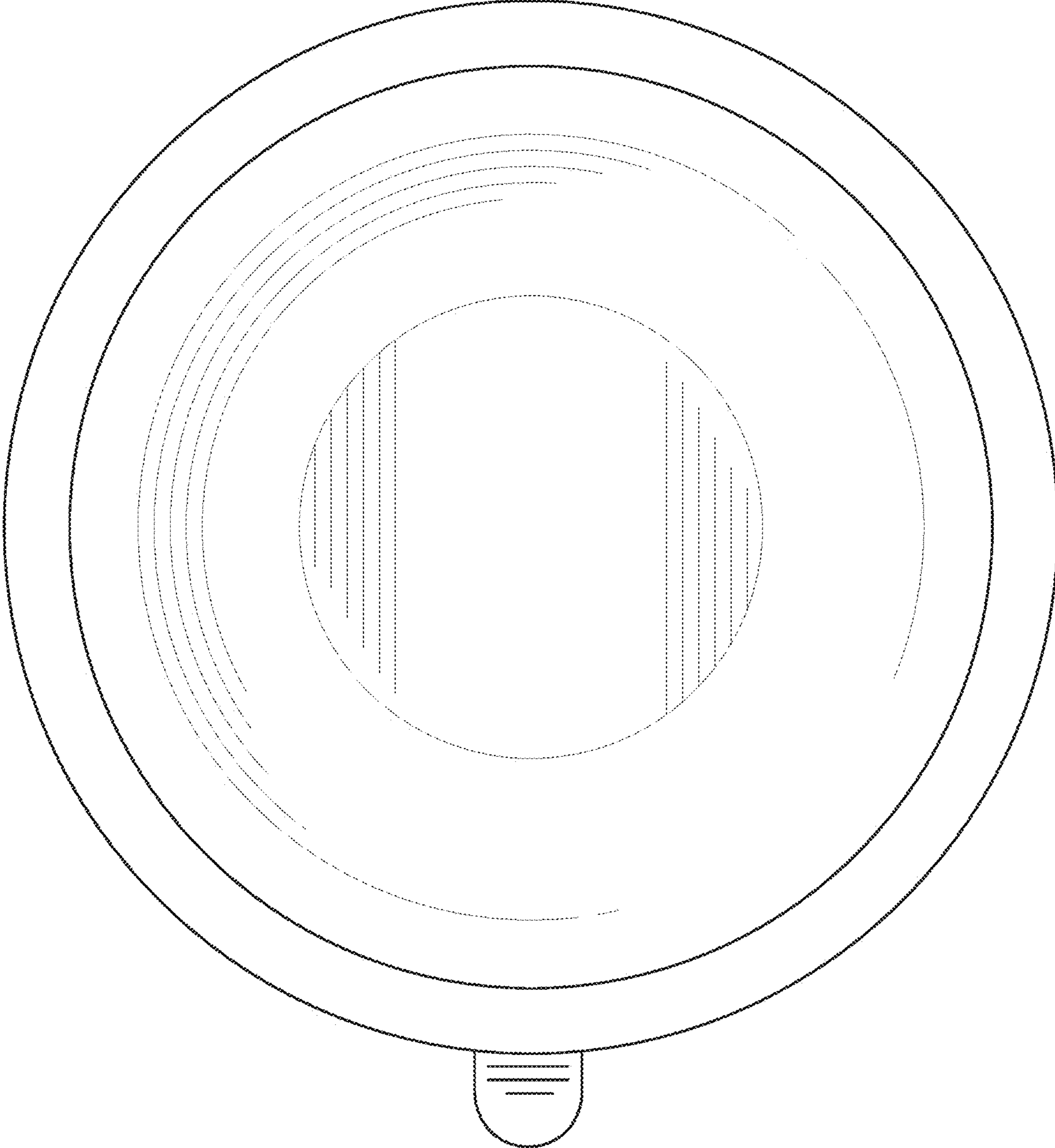


FIG. 4

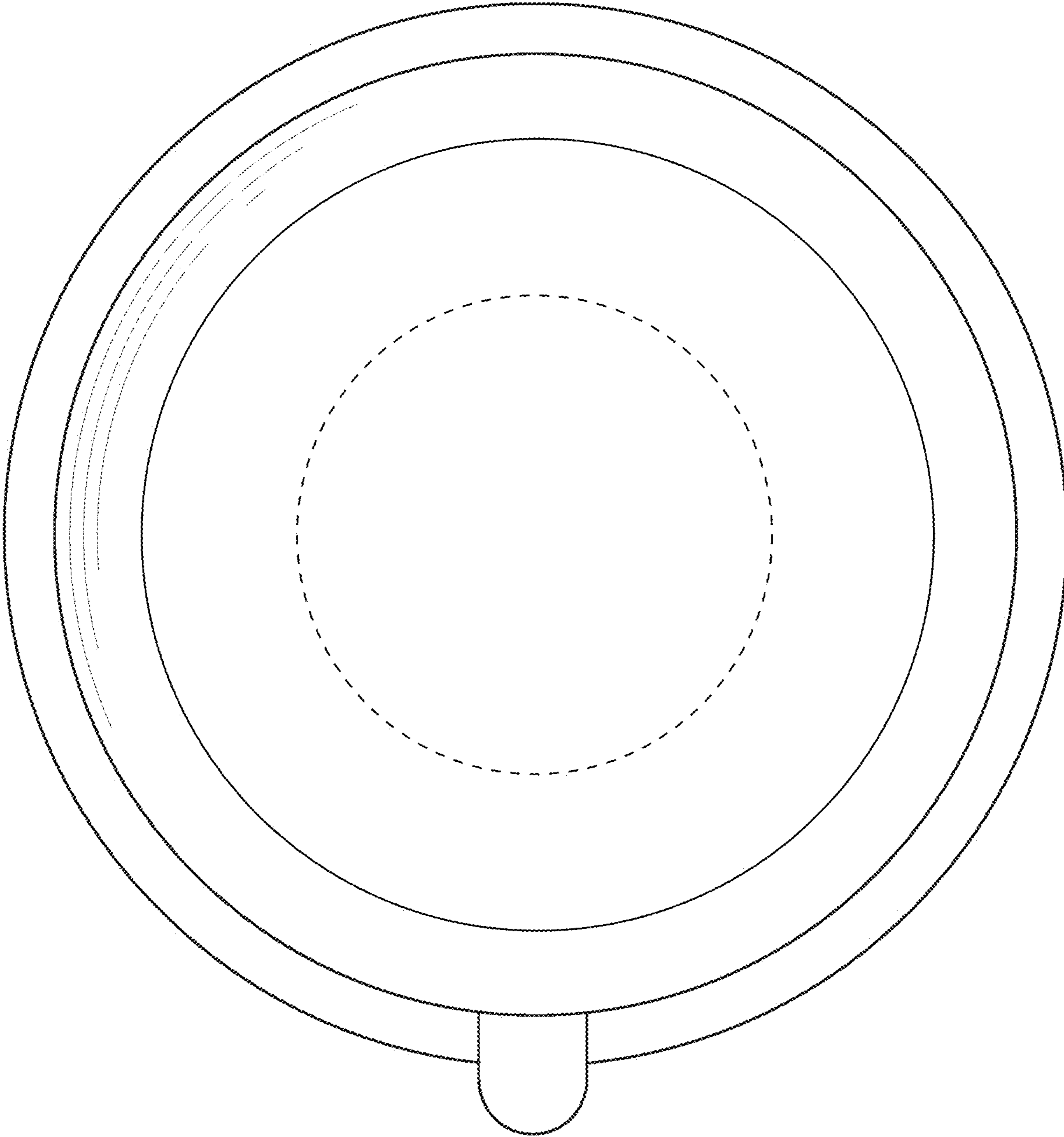


FIG. 5