



US0D1039284S

(12) **United States Design Patent** (10) **Patent No.:** **US D1,039,284 S**
Weiss et al. (45) **Date of Patent:** **** Aug. 20, 2024**

- (54) **CHAIR**
- (71) Applicant: **SMITH SYSTEM MANUFACTURING COMPANY**, Carrollton, TX (US)
- (72) Inventors: **Robert Andrew Weiss**, Grand Rapids, MI (US); **Mark Spoelhof**, Grand Rapids, MI (US); **Dylan McKinnon**, Grand Rapids, MI (US); **David S. De Hoyos**, Carrollton, TX (US)
- (73) Assignee: **SMITH SYSTEM MANUFACTURING COMPANY**, Carrollton, TX (US)
- (**) Term: **15 Years**
- (21) Appl. No.: **29/850,289**
- (22) Filed: **Aug. 18, 2022**
- (51) **LOC (14) Cl.** **06-01**
- (52) **U.S. Cl.**
USPC **D6/348**
- (58) **Field of Classification Search**
USPC D6/334-336, 348, 344, 371, 372, 373, D6/374, 375, 709.22, 716, 716.1, 716.2, D6/716.3, 716.4; D21/412, 688
CPC .. A47C 3/02; A47C 3/029; A47C 3/16; A47C 7/18; A47C 7/24; A47D 13/10; A47D 13/102
See application file for complete search history.

- D240,344 S 6/1976 Adkinson
- D243,045 S 1/1977 Haynes
- D243,047 S 1/1977 Haynes
- 4,109,960 A 8/1978 Stinchfield
- D276,103 S 10/1984 Turner et al.
- D286,586 S 11/1986 Radford
- D364,749 S 12/1995 Mcknight

(Continued)

FOREIGN PATENT DOCUMENTS

JP 2006174931 A 7/2006

OTHER PUBLICATIONS

Shapes Series II Vinyl Soft Seating Rocker, schooloutfitters.com, Retrieved Date: Apr. 3, 2024, pp. 1-3, from https://www.schooloutfitters.com/catalog/product_info/pfam_id/PFAM69688/products_id/PRO81153?sc_cid=Google_LNT-SSR&adtype=pla&kw=&utm_term=&utm_campaign=Product%20Listings%20Core%20%20-%20Target%20ROAS&utm_source=google&utm_medium=cpc&hsa_acc=4310561740&hsa_cam=20295380065&hsa_grp=149849708385&hsa_ad=421007426638&hsa_src=g&hsa_tgt=aud-477424567361%3Apla-1165987315679&hsa_kw=&hsa_mt=&hsa_net=adwords&hsa_ver=3&gad_source=1&gclid=EAlaIQobChMIh_GZvrimhQMV3WpHAR0-TAZkEAQYBiABEgJYjvD_BwE (Year: 2024).*

Primary Examiner — Mimosa De
(74) *Attorney, Agent, or Firm* — Price Heneveld LLP

(57) **CLAIM**

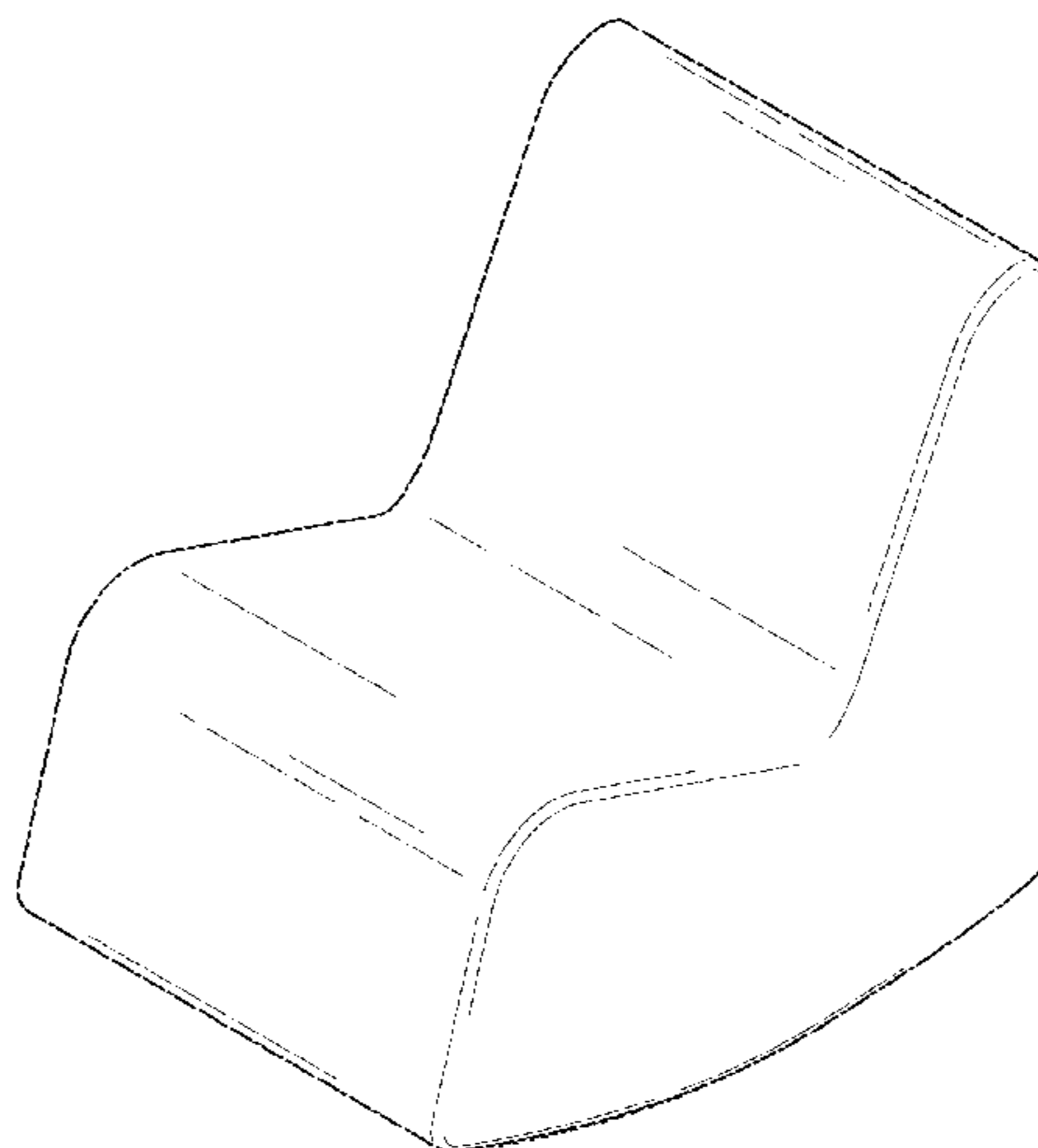
The ornamental design for a chair, as shown and described.

DESCRIPTION

FIG. 1 is a top perspective view of a chair according to the design;
FIG. 2 is a front elevation view thereof;
FIG. 3 is a back elevation view thereof;
FIG. 4 is a right side elevation view thereof;
FIG. 5 is a left side elevation view thereof;
FIG. 6 is a top plan view thereof;
FIG. 7 is a bottom plan view thereof; and,
FIG. 8 is a bottom perspective view thereof.

(Continued)

- (56) **References Cited**
- U.S. PATENT DOCUMENTS**
- 2,482,306 A 9/1949 Waldheim
- D185,584 S 6/1959 Steuer
- D198,312 S * 6/1964 Gale D6/348
- 3,637,256 A 1/1972 Harty
- 3,642,323 A 2/1972 Taylor
- 3,742,526 A 7/1973 Lillard
- 3,893,731 A 7/1975 Maggs
- 3,902,759 A 9/1975 Monteforte et al.
- D239,345 S 3/1976 Keller



Features of the article shown in even broken lines form no part of the claimed design.

1 Claim, 5 Drawing Sheets

(56)

References Cited

U.S. PATENT DOCUMENTS

D497,727	S	11/2004	Monsalve et al.	
D510,486	S	10/2005	Karl	
D548,986	S	8/2007	Mccoy et al.	
7,287,816	B1	10/2007	Karl	
D571,871	S	6/2008	Backstrand et al.	
D577,212	S *	9/2008	Lee	D6/348
D588,368	S *	3/2009	McCoy	D6/344
D609,481	S	2/2010	Young-Il et al.	
D632,503	S	2/2011	Saul	
D740,043	S	10/2015	Lee	
D741,608	S	10/2015	George et al.	
D756,674	S	5/2016	George et al.	
9,456,696	B2	10/2016	Lee	

D770,792	S	11/2016	George et al.	
9,533,608	B2	1/2017	Von Rothkirch Und Panthen et al.	
D778,630	S	2/2017	George et al.	
D790,235	S	6/2017	Chuah	
D794,348	S	8/2017	Nigro	
D804,201	S	12/2017	Zwolsman et al.	
D806,426	S	1/2018	George et al.	
D813,293	S	3/2018	Stambouli	
D817,653	S	5/2018	Lee	
D823,011	S	7/2018	Kesler	
D826,587	S	8/2018	George et al.	
D831,993	S	10/2018	George et al.	
D850,136	S	6/2019	Haugh	
D889,145	S	7/2020	Valene	
D904,044	S	12/2020	Weiss et al.	
D909,079	S	2/2021	Ding et al.	
11,198,032	B2	12/2021	Van Straaten	
D944,548	S	3/2022	Jonke	
D1,013,400	S *	2/2024	Concodoro	D6/348
2015/0150381	A1	6/2015	Lee	
2017/0013962	A1	1/2017	Bandy et al.	
2019/0104842	A1	4/2019	Forman	

* cited by examiner

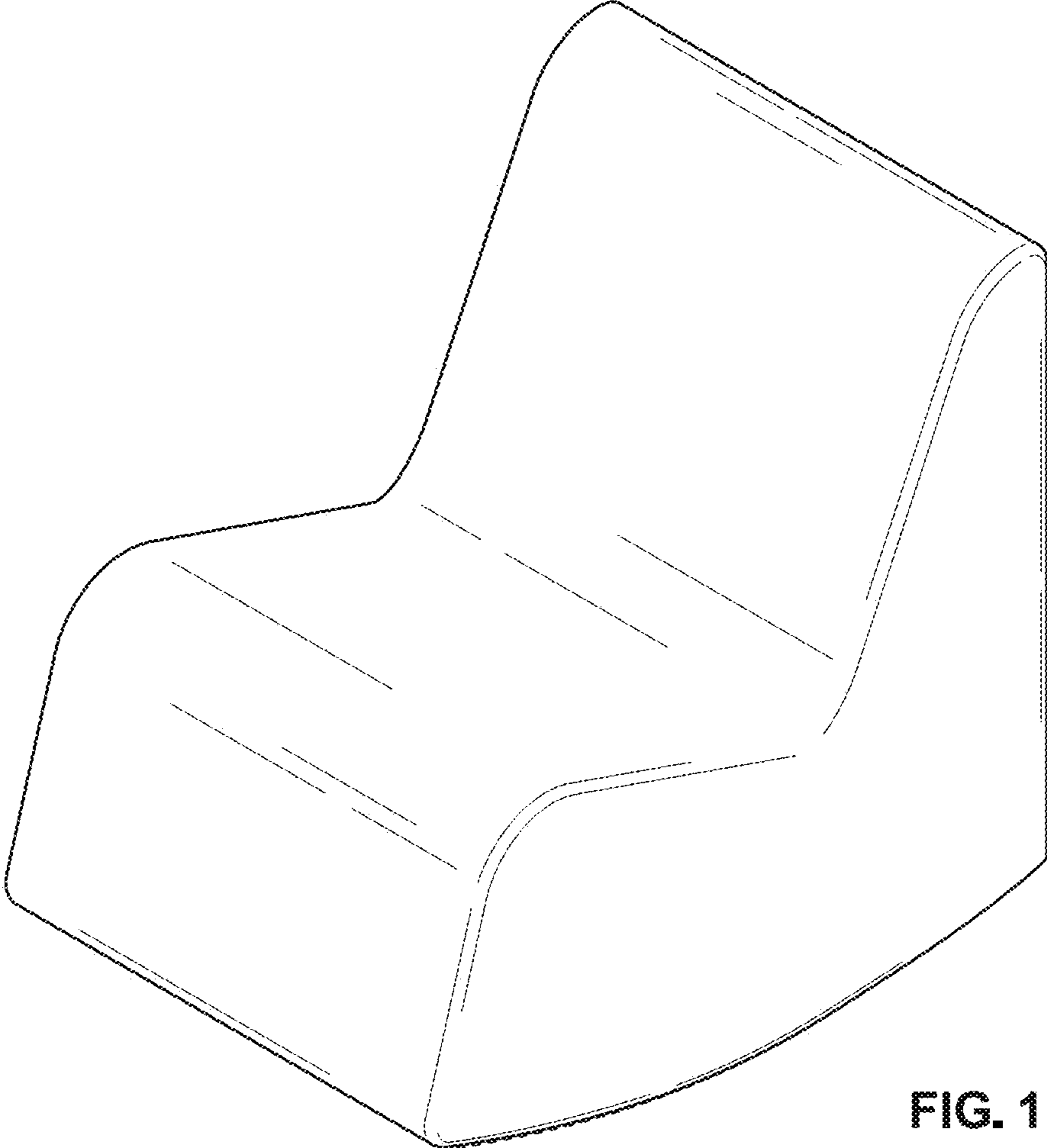


FIG. 1

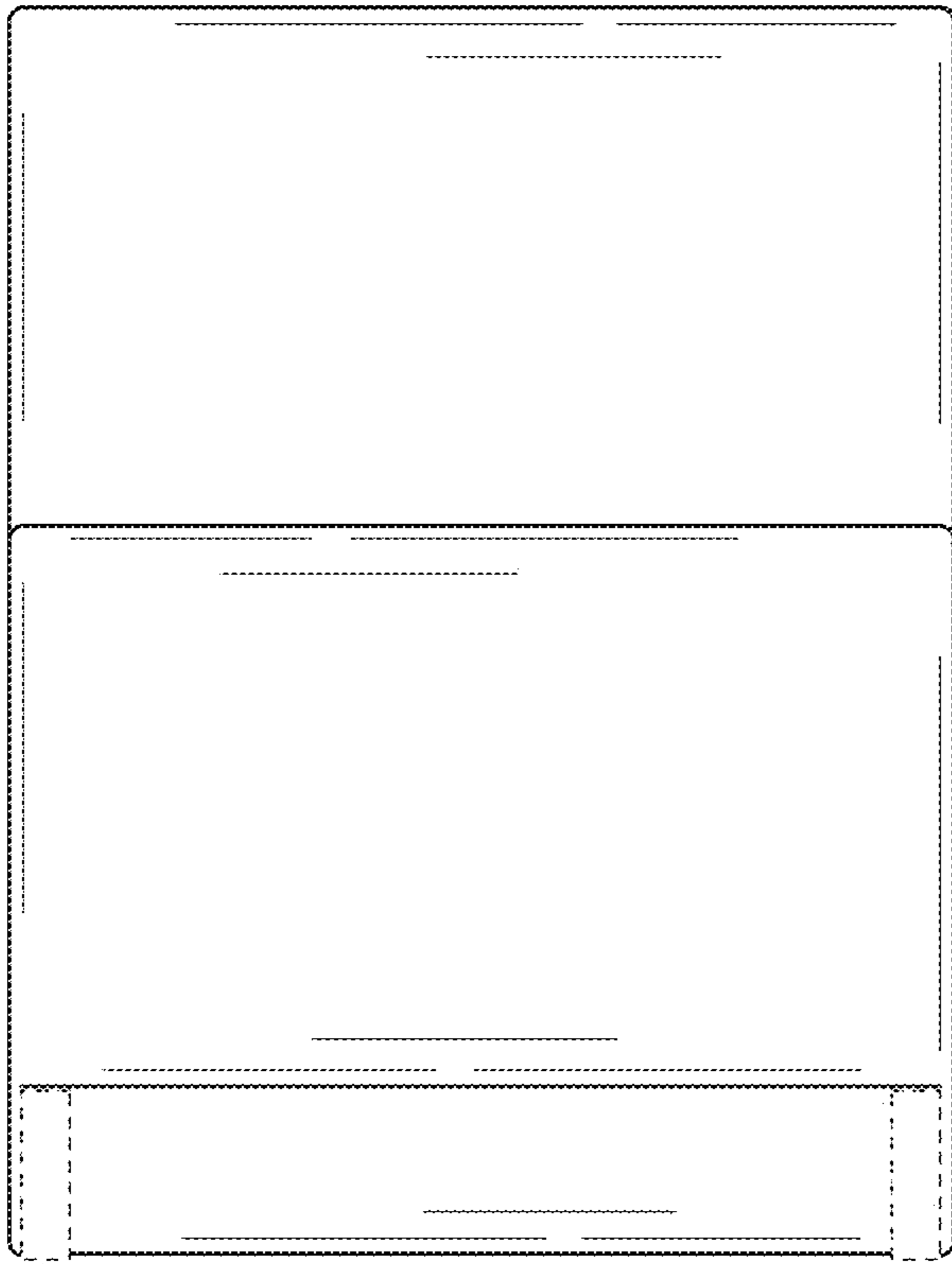


FIG. 2

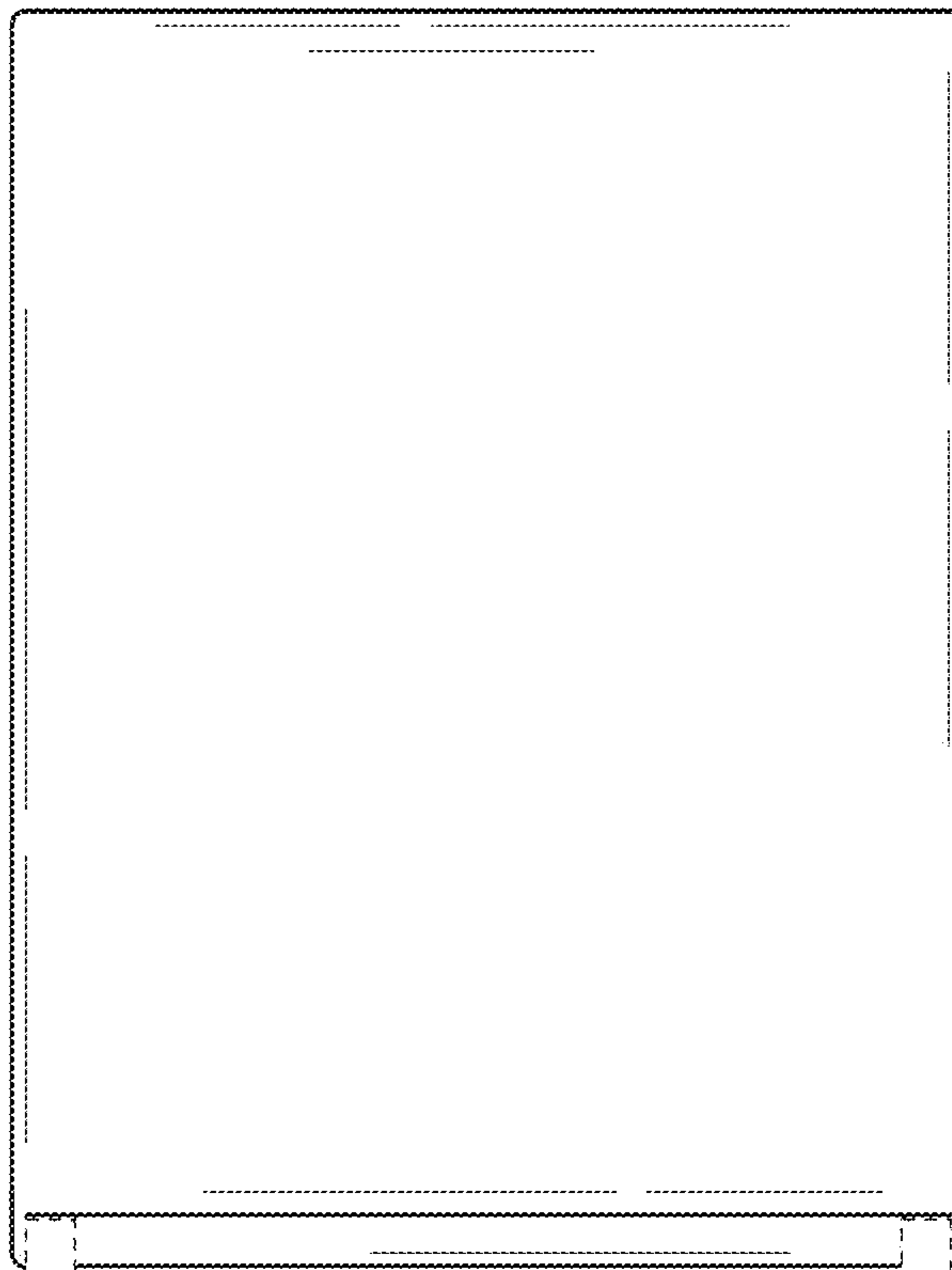


FIG. 3

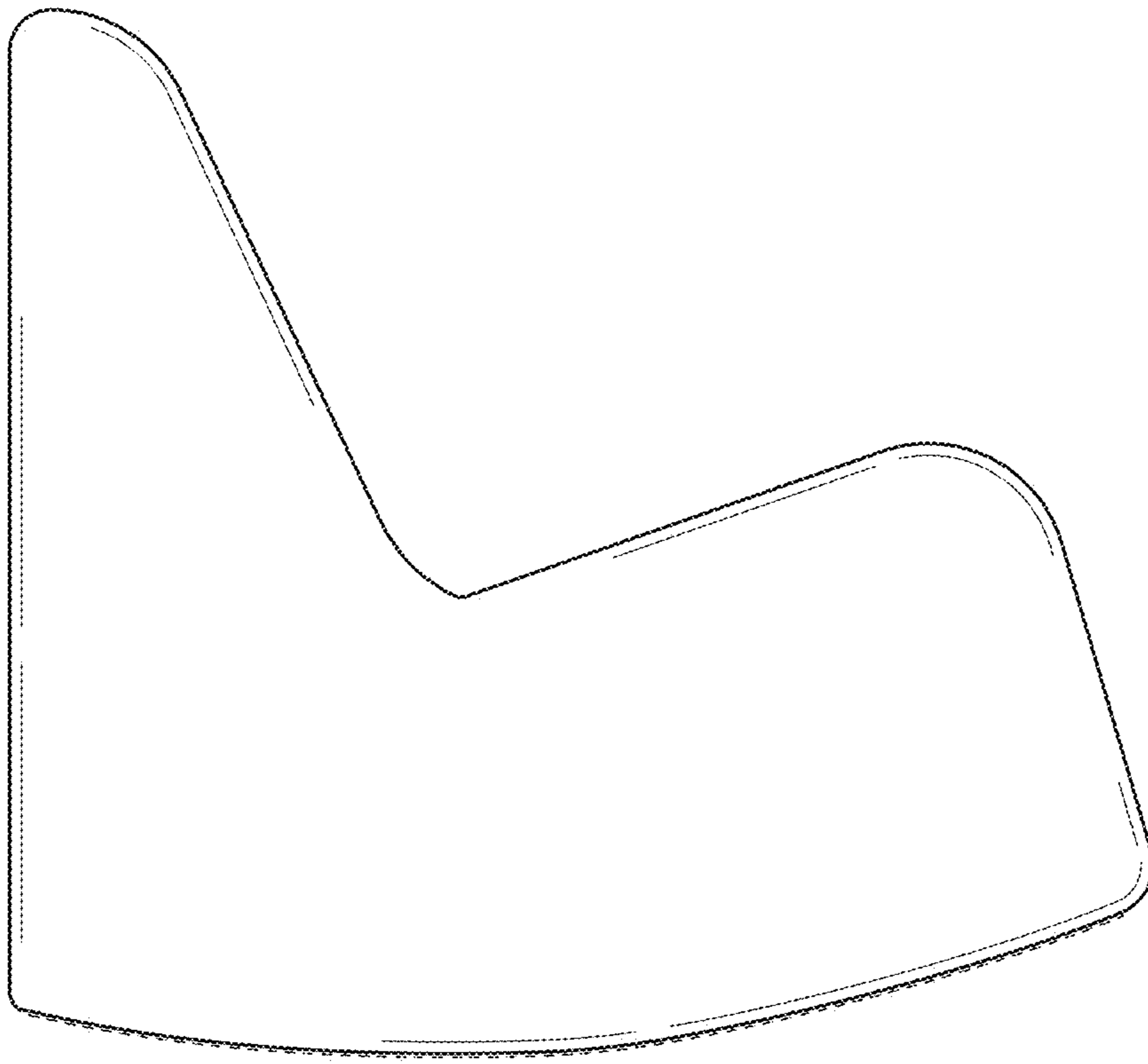


FIG. 4

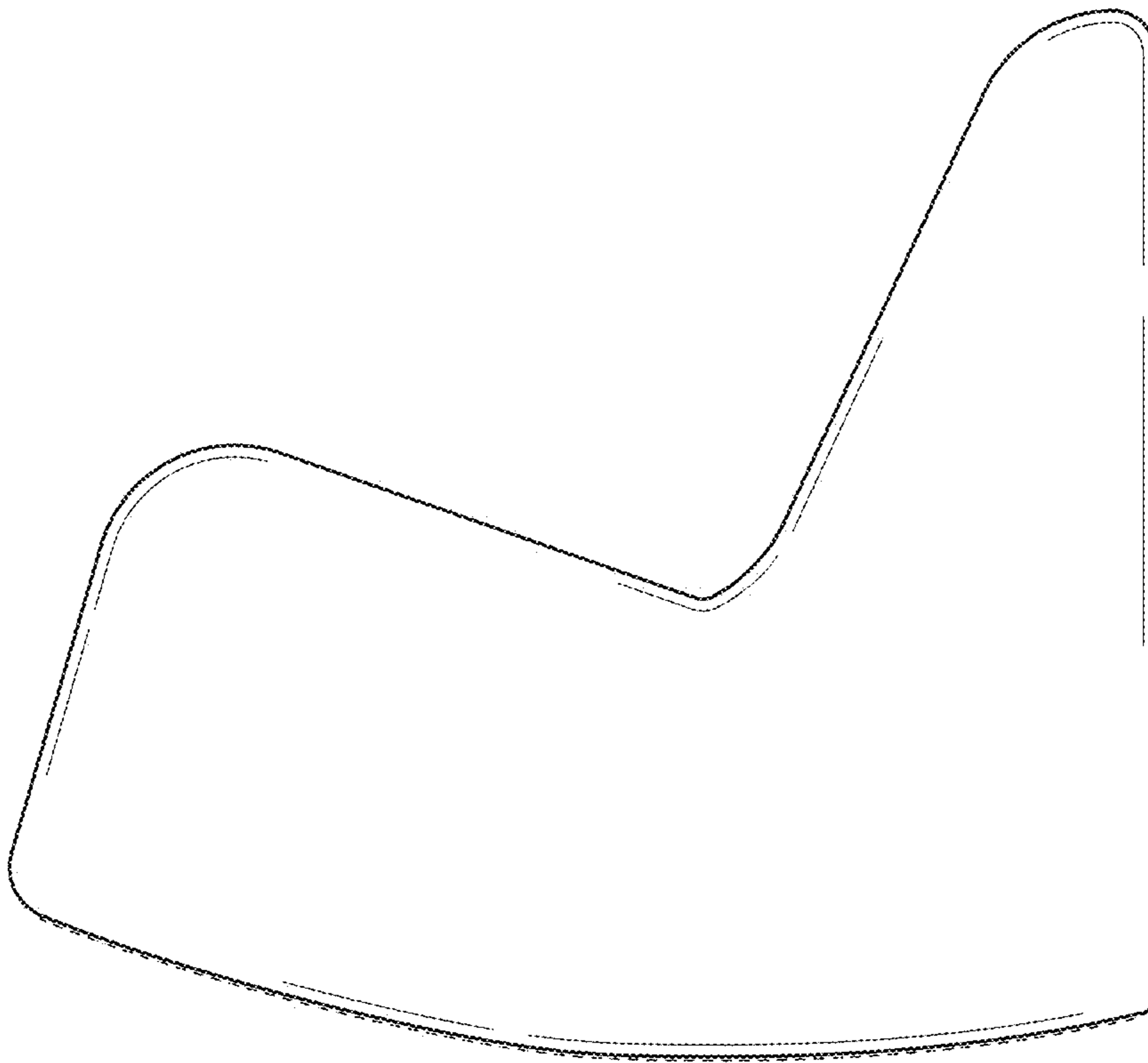


FIG. 5

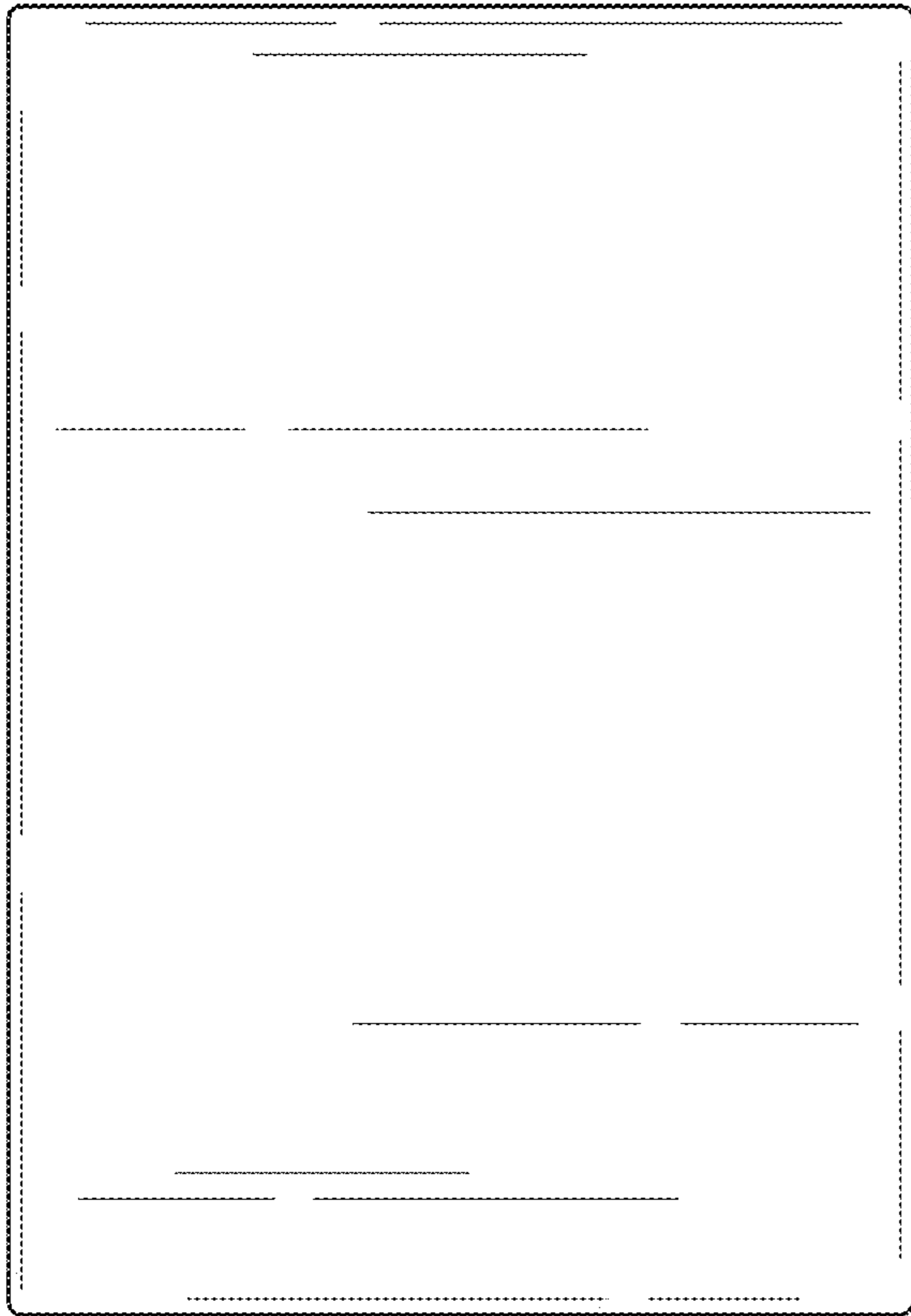


FIG. 6

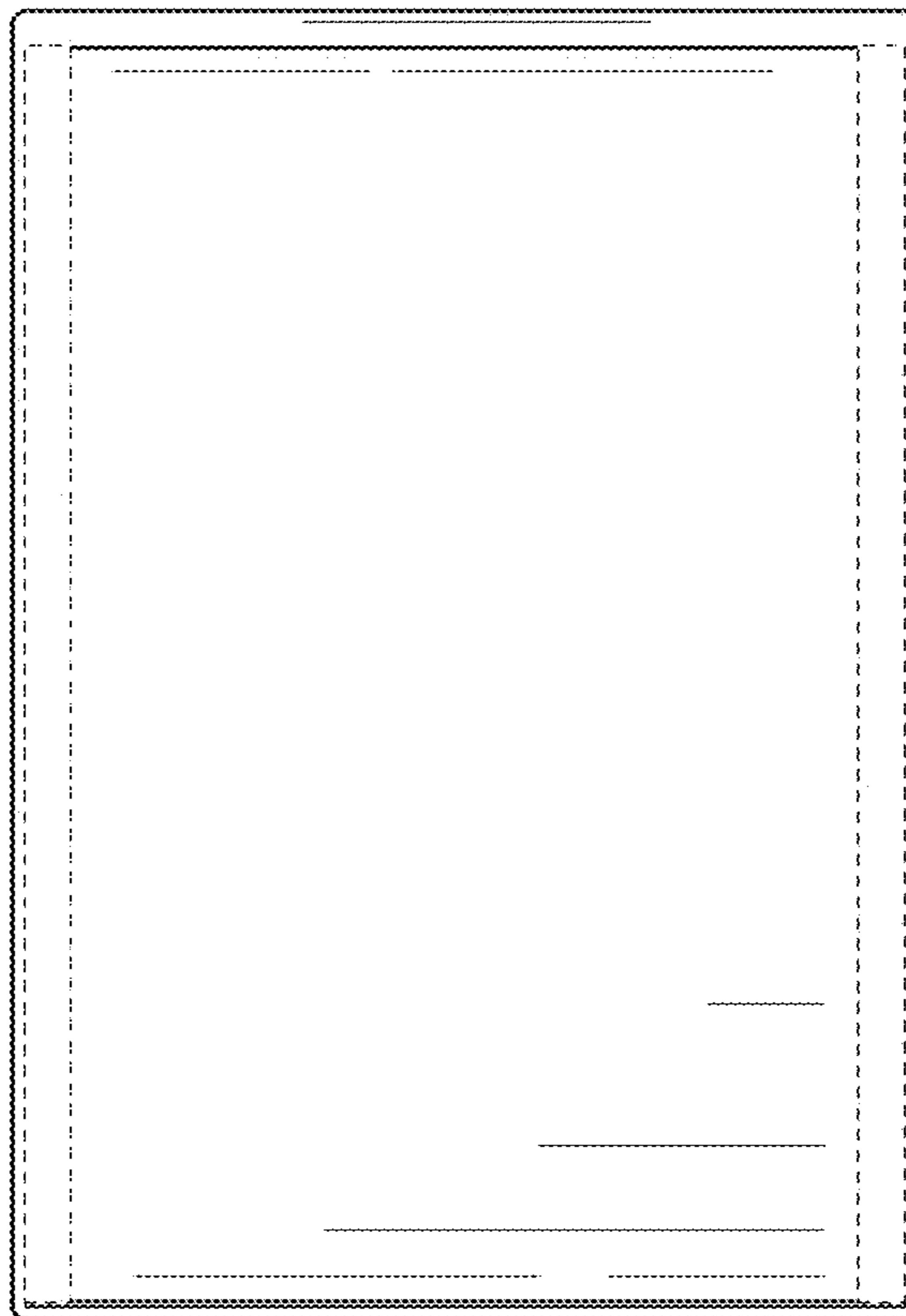


FIG. 7

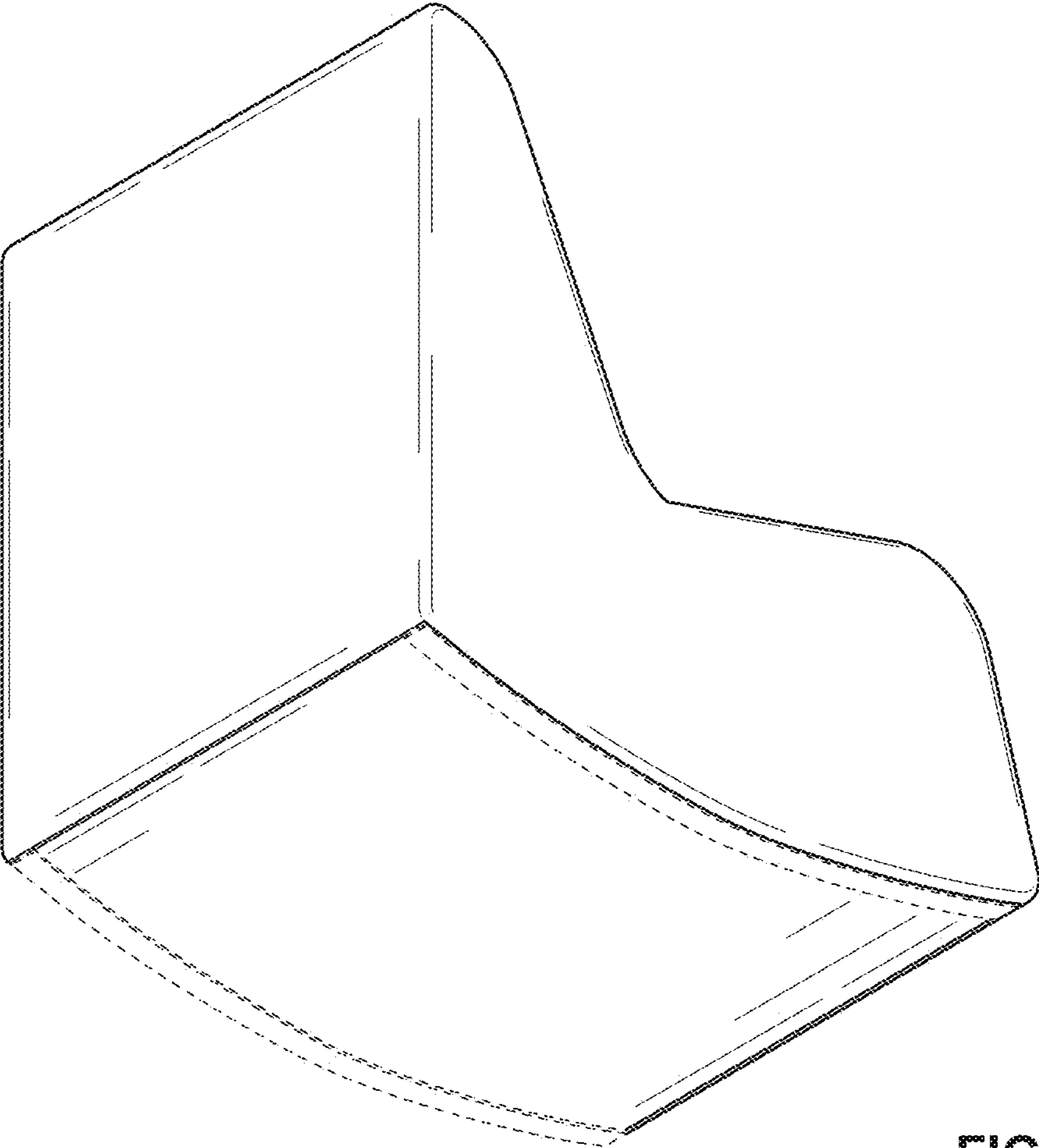


FIG. 8