



US0D1039275S

(12) **United States Design Patent** (10) **Patent No.:** **US D1,039,275 S**
Yuan (45) **Date of Patent:** **** Aug. 20, 2024**

(54) **WALLET**

FOREIGN PATENT DOCUMENTS

(71) Applicant: **Tianliang Yuan**, Guangdong (CN)

KR 301099962.0000 * 3/2021

(72) Inventor: **Tianliang Yuan**, Guangdong (CN)

OTHER PUBLICATIONS

(**) Term: **15 Years**

Amazon.ca, Site visited Feb. 15, 2024, typecase Men's Leather Wallet with Stealth Pocket for AirTag, Date first available, Jan. 25, 2022, <https://www.amazon.ca/dp/B09PTDDXHB> (Year: 2022).*
Amazon.ca, Site visited Feb. 20, 2024, Swallowmall AirTag Wallet, Date first available, Jun. 7, 2022, <https://www.amazon.ca/dp/B0B3CFL68C> (Year: 2022).*
Amazon.ca, Site visited Feb. 20, 2024, Huztencor AirTag Wallet, Date first available, Dec. 6, 2021, <https://www.amazon.ca/dp/B09MTJHV11> (Year: 2021).*

(21) Appl. No.: **29/846,283**

(22) Filed: **Jul. 14, 2022**

(51) **LOC (14) Cl.** **03-01**

(52) **U.S. Cl.**
USPC **D3/247**

(58) **Field of Classification Search**
USPC D3/201, 247, 248, 249, 250, 253;
D14/253
CPC A45C 11/182; A45C 1/06
See application file for complete search history.

* cited by examiner

Primary Examiner — Brett Miller
Assistant Examiner — Jessica M Gebhart

(57) **CLAIM**

The ornamental design for a wallet, as shown and described.

(56) **References Cited**

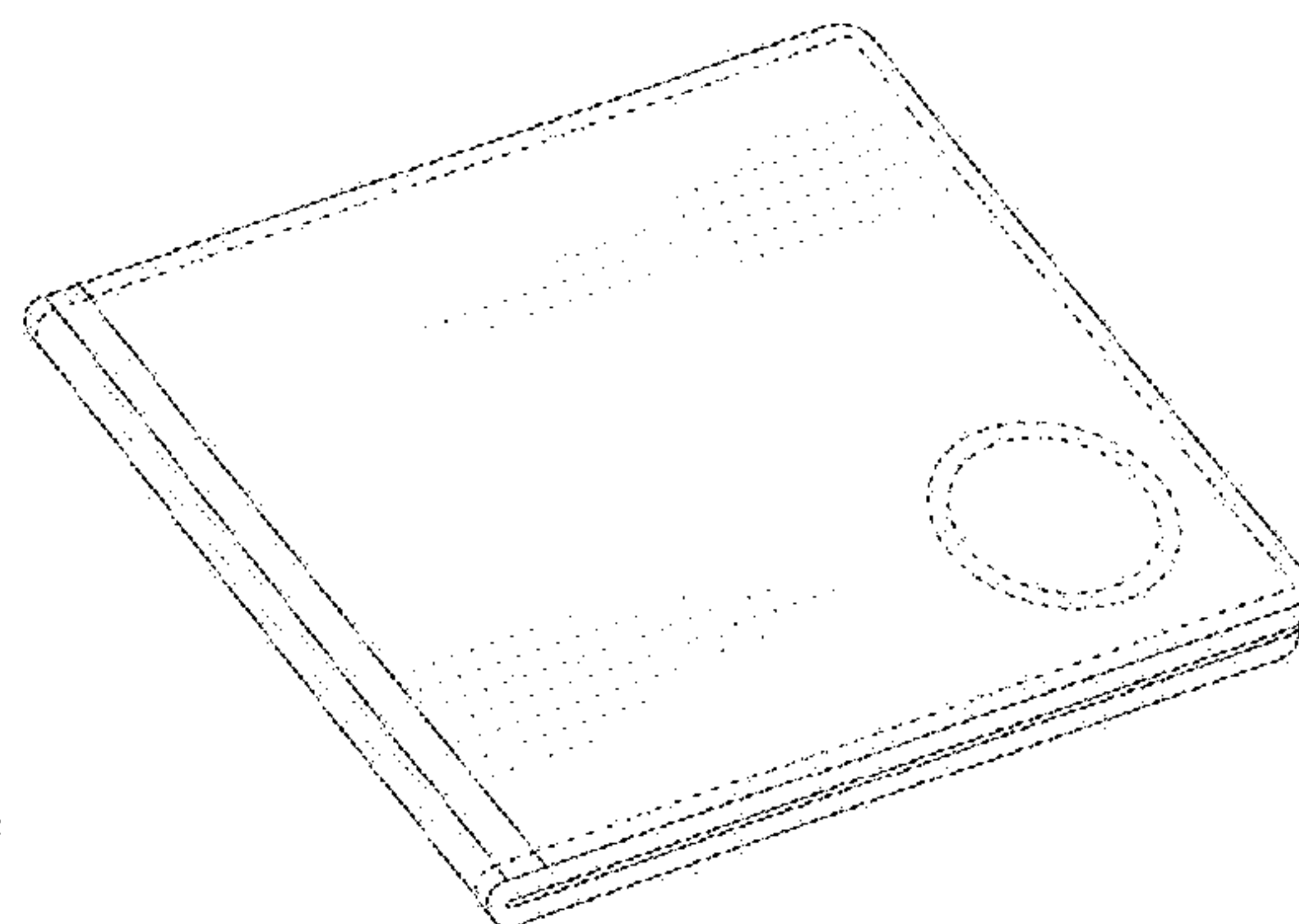
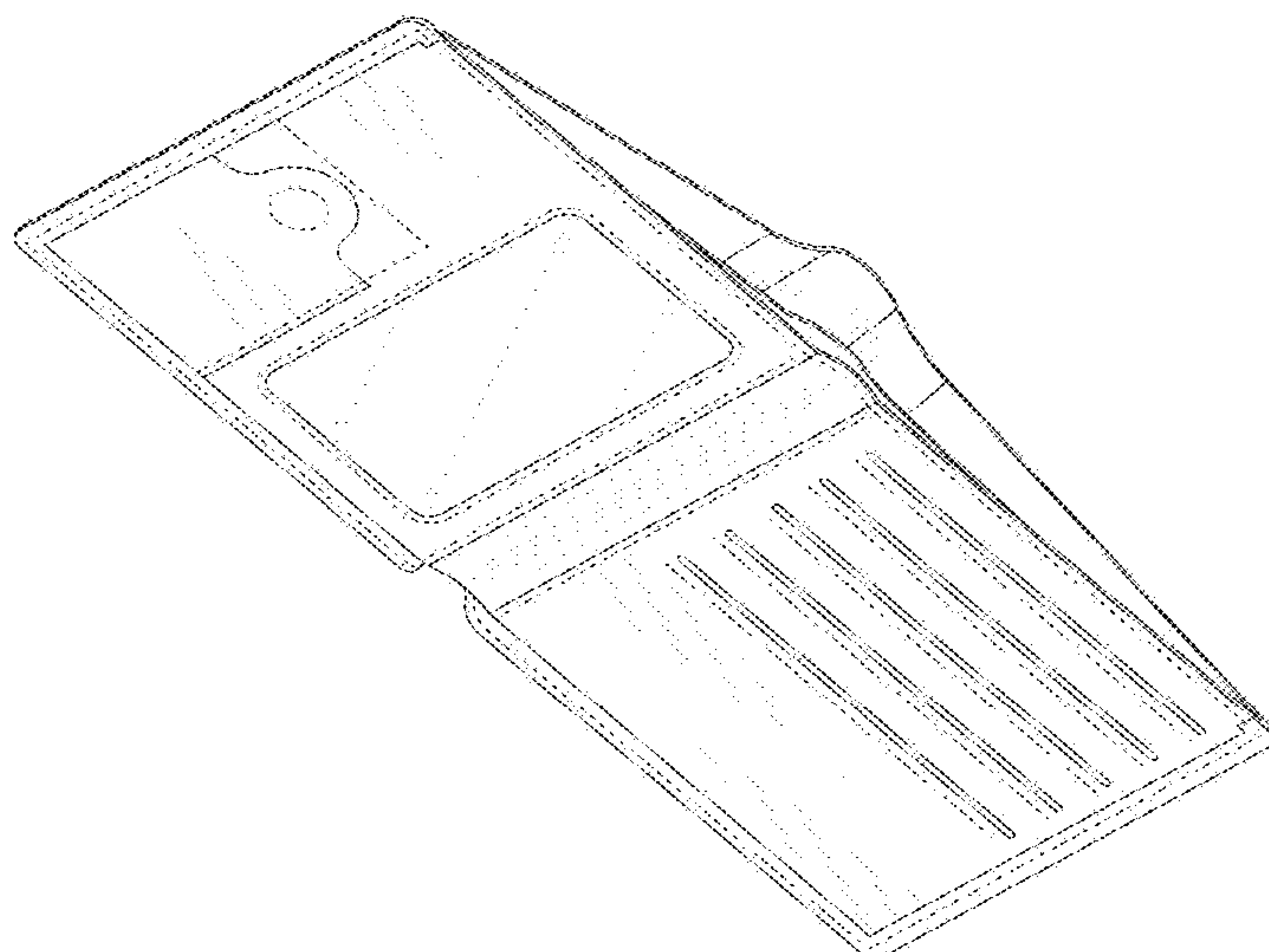
DESCRIPTION

U.S. PATENT DOCUMENTS

3,659,640	A *	5/1972	Fenster	A45C 1/06
					150/147
3,946,781	A *	3/1976	Reis	A45C 1/06
					150/145
D410,774	S *	6/1999	Inbert	D3/250
D585,194	S *	1/2009	Leo	D3/247
D593,749	S *	6/2009	Holzner	D3/247
D720,530	S *	1/2015	Abramson	D3/247
D745,273	S *	12/2015	Hageman	D3/247
D756,116	S *	5/2016	McDaniel	D3/247
D773,181	S *	12/2016	Tappeiner	D3/247
D836,336	S *	12/2018	Serman	D3/247
D872,994	S *	1/2020	Chen	D3/247

FIG. 1 is a perspective view of a wallet design showing my new design.
FIG. 2 is a front view of the wallet.
FIG. 3 is a rear view of the wallet.
FIG. 4 is a left view of the wallet.
FIG. 5 is a right view of the wallet.
FIG. 6 is a top view of the wallet.
FIG. 7 is a bottom view of the wallet; and,
FIG. 8 is a perspective view of the wallet in the closed state. The broken lines in the drawings depict portions of the wallet that form no part of the claimed design.

1 Claim, 8 Drawing Sheets



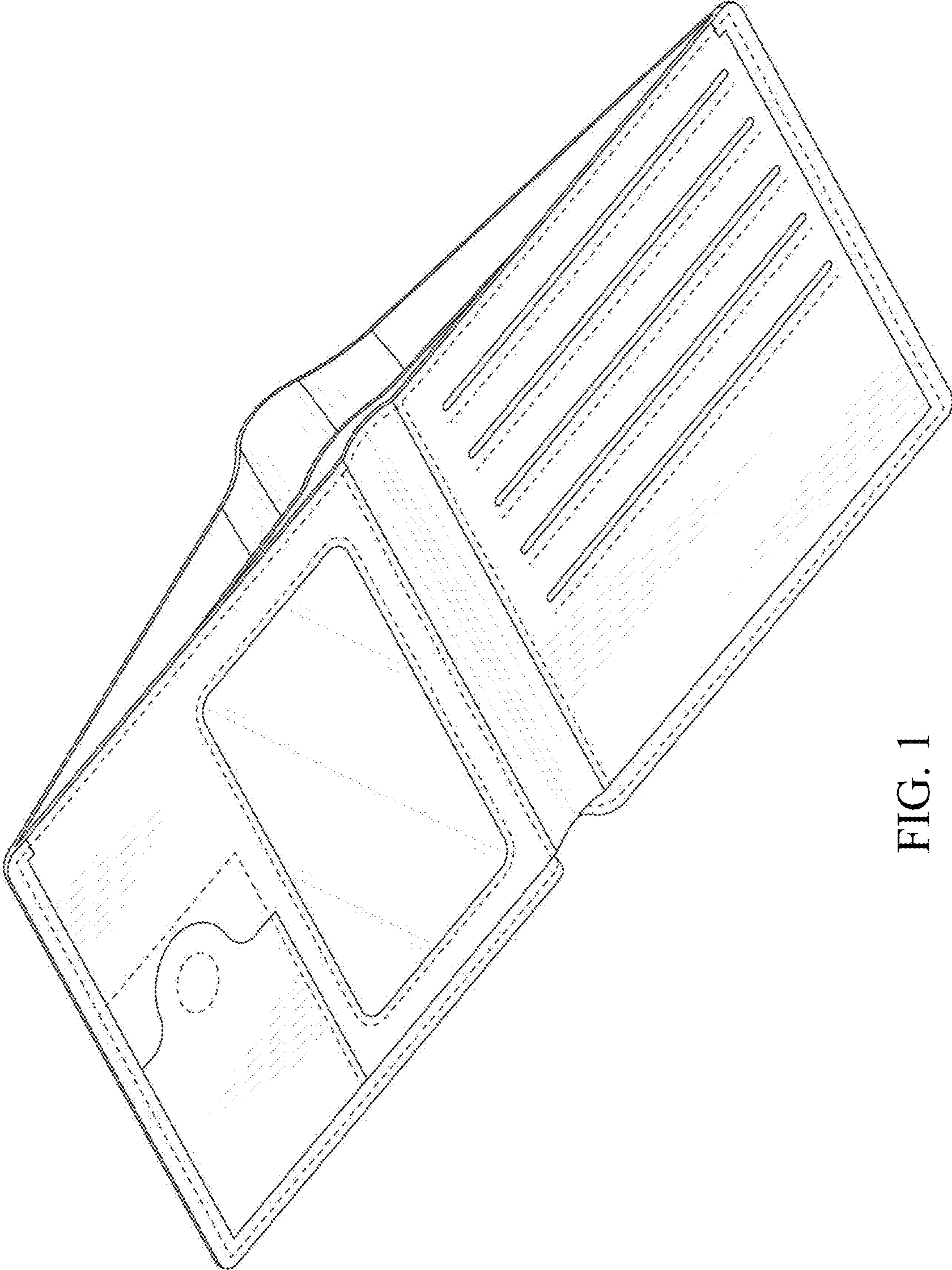


FIG. 1

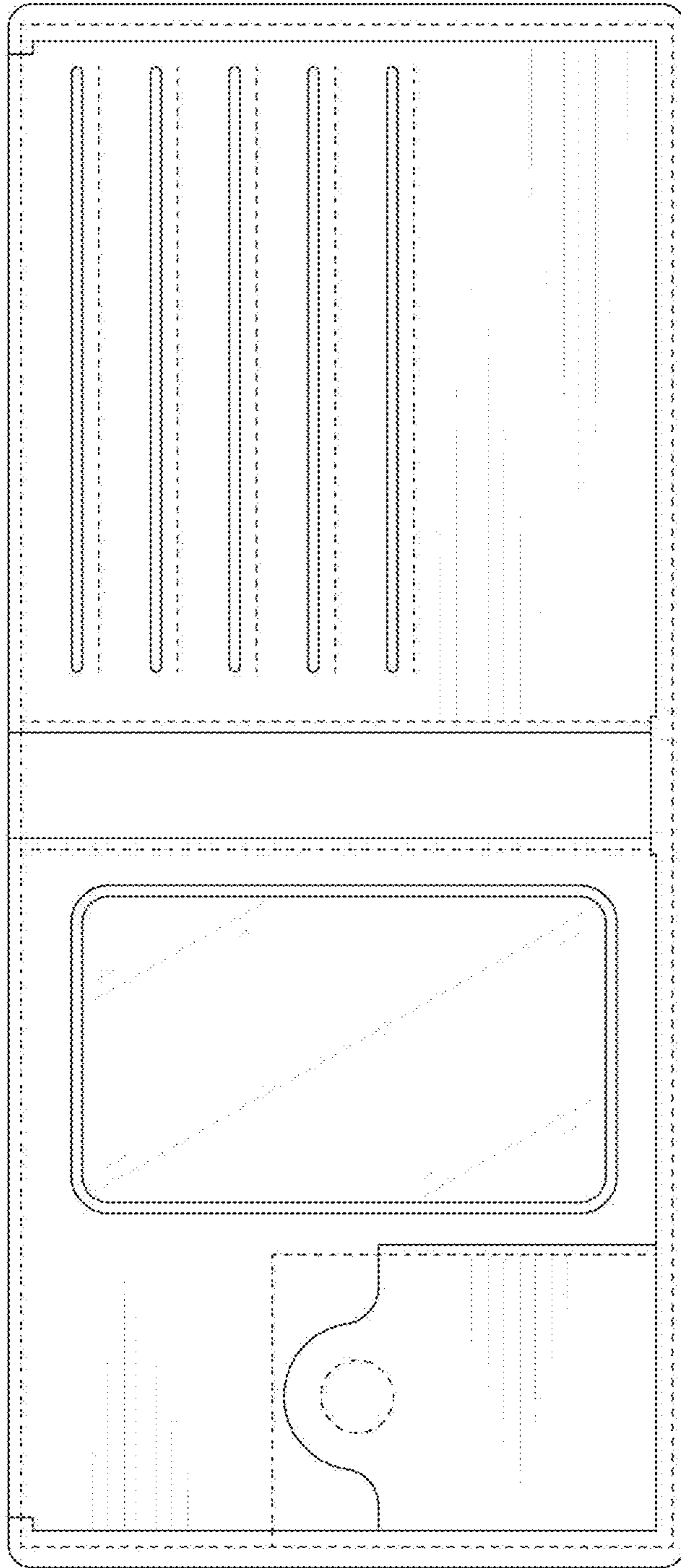


FIG. 2

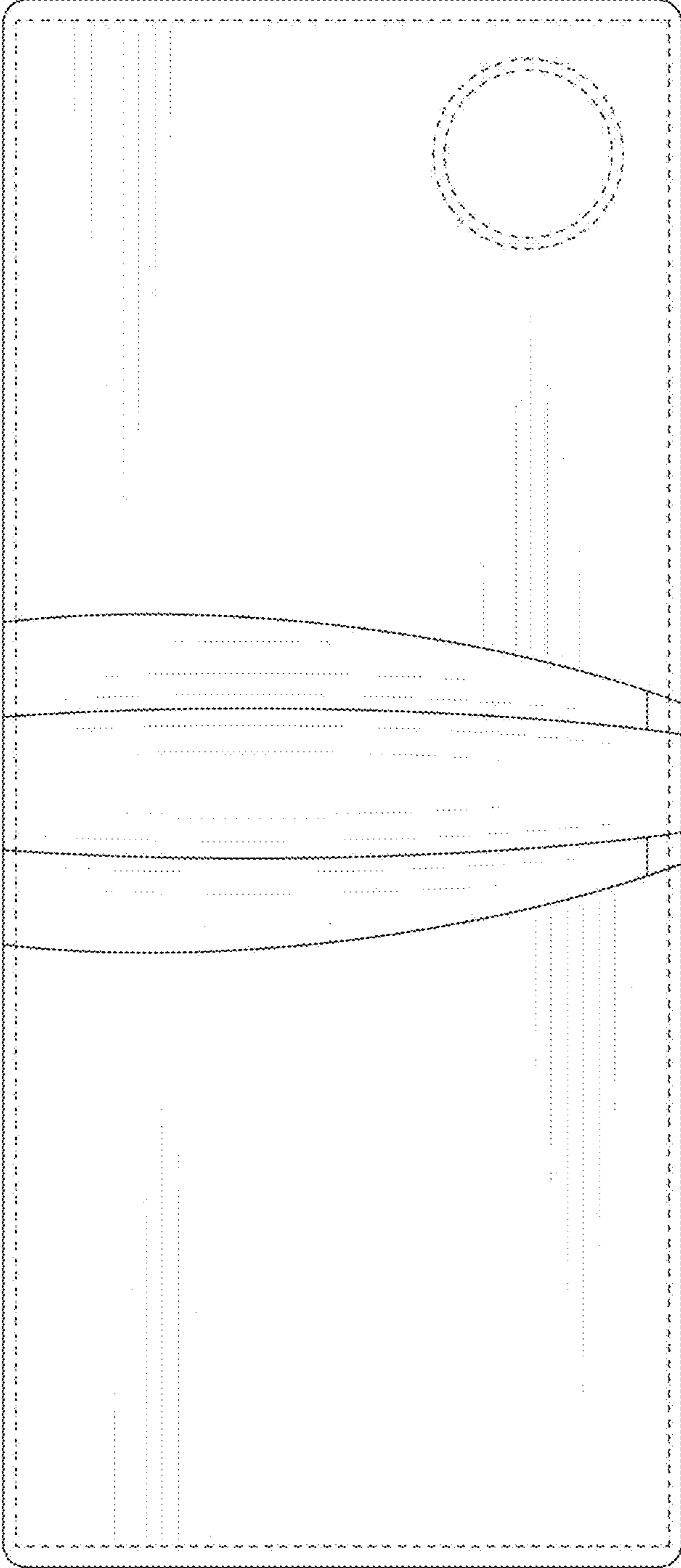


FIG. 3

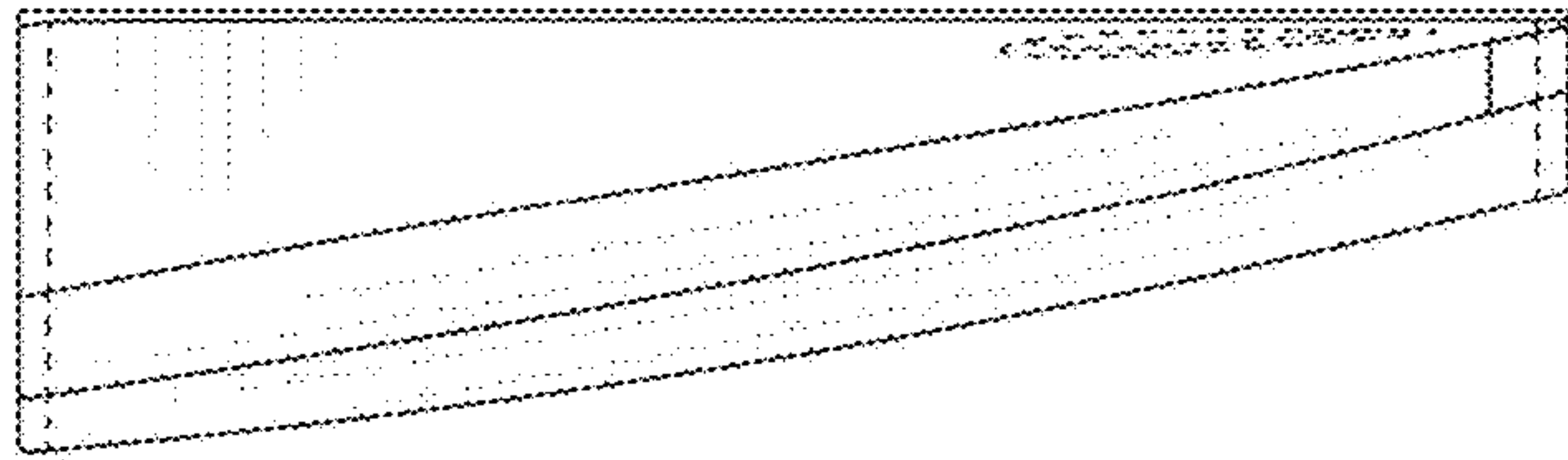


FIG. 4

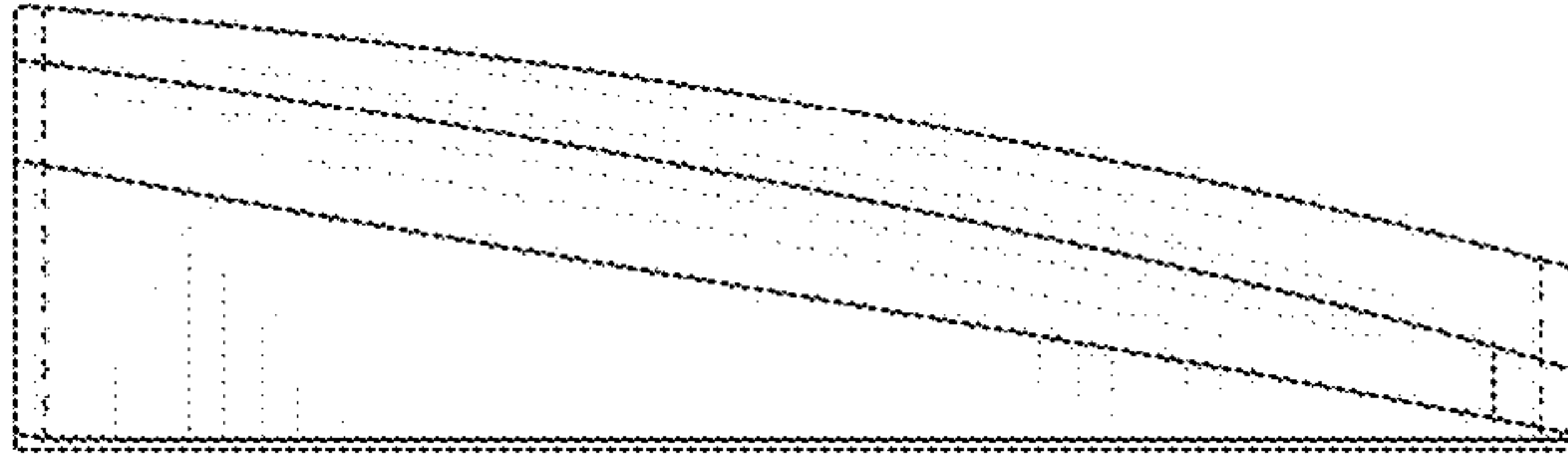


FIG. 5

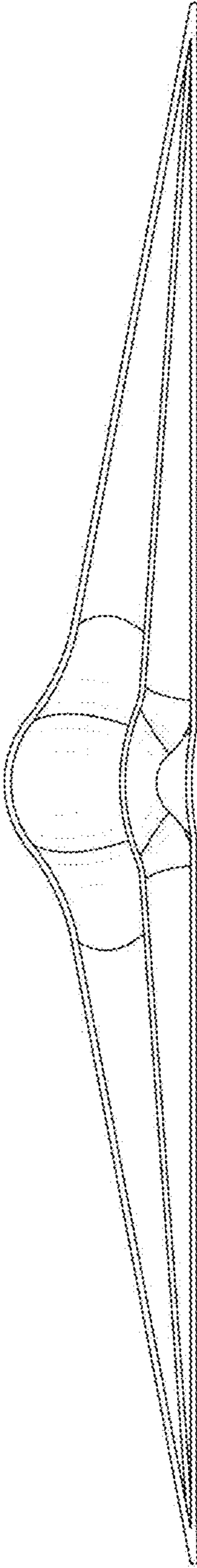


FIG. 6

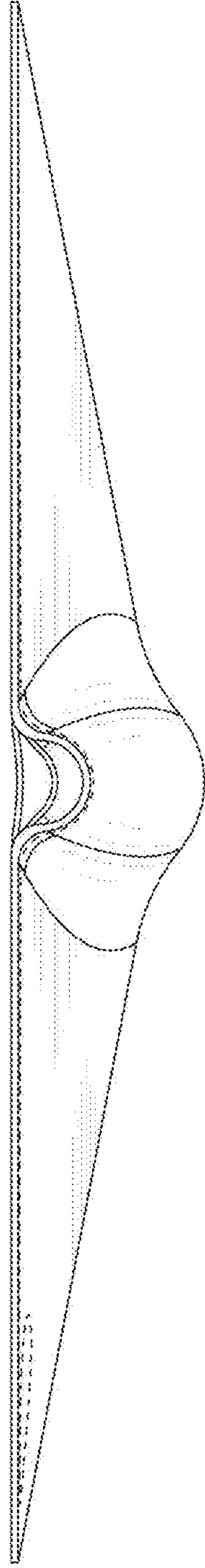


FIG. 7

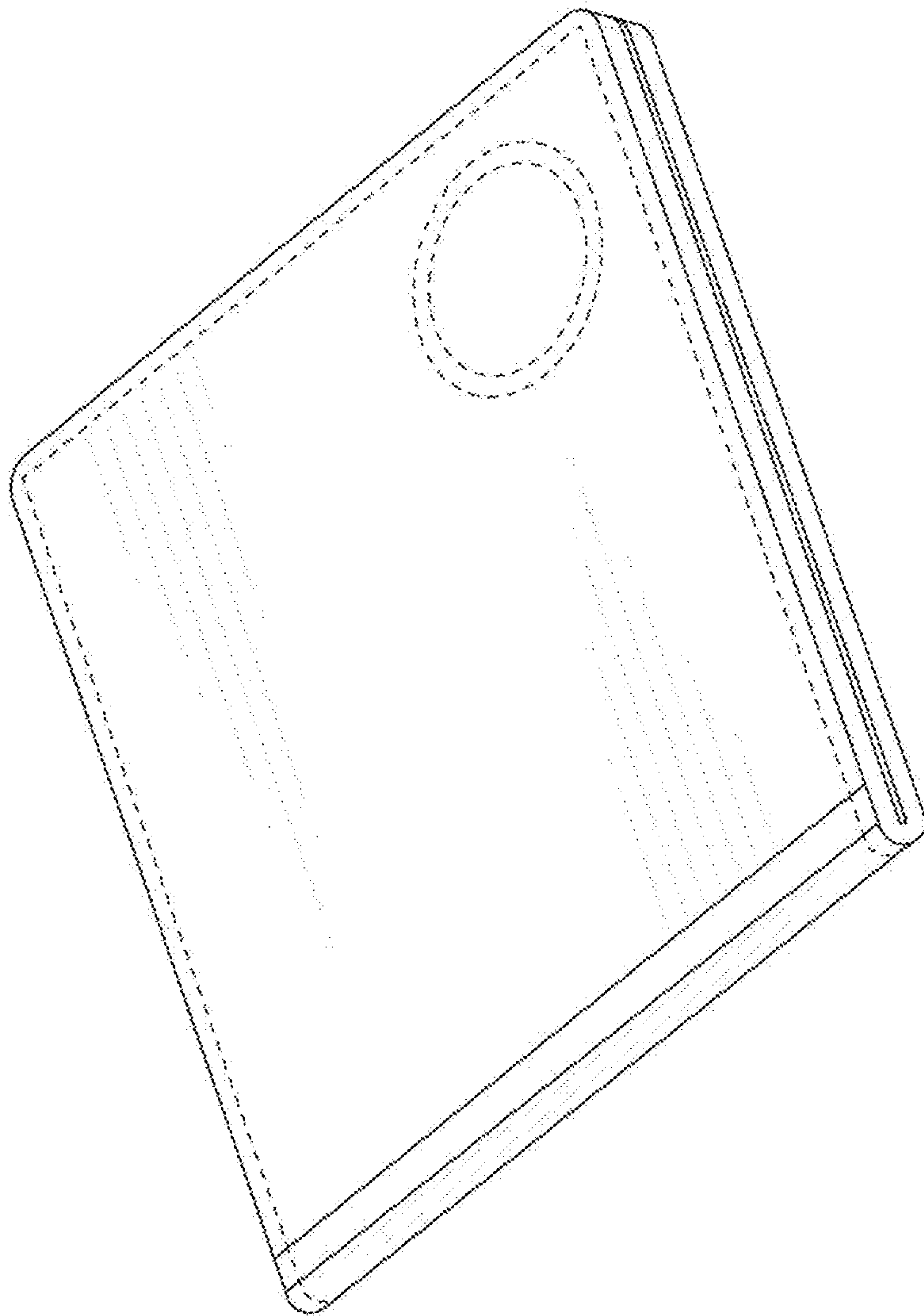


FIG. 8