



US0D1039160S

(12) **United States Design Patent**
Rokitta

(10) **Patent No.:** **US D1,039,160 S**

(45) **Date of Patent:** **** Aug. 13, 2024**

- (54) **WRIST BANDAGE**
- (71) Applicant: **Bauerfeind AG**, Zeulenroda-Triebes (DE)
- (72) Inventor: **Hermann Rokitta**, Mülheim an der Ruhr (DE)
- (73) Assignee: **BAUERFEIND AG**, Zeulenroda-Triebes (DE)
- (**) Term: **15 Years**
- (21) Appl. No.: **29/913,205**
- (22) Filed: **Sep. 28, 2023**

4,856,112 A	8/1989	Efle	
D331,804 S	12/1992	Shiono	
D331,805 S	12/1992	Shiono	
D349,387 S *	8/1994	Crabbe D2/610
5,695,452 A	12/1997	Grim	
D393,138 S	4/1998	Frey	
5,807,292 A	9/1998	Delmore	
D405,558 S	2/1999	Campisi	
D454,198 S	3/2002	Lamping	
D460,824 S	7/2002	Ames	
6,580,011 B1	6/2003	Jennings-Spring	
D487,171 S	2/2004	Miller	
7,200,870 B1 *	4/2007	Kolk A41D 13/08 2/167
7,200,872 B2 *	4/2007	Gregory A41D 13/08 2/170
D546,003 S	7/2007	Choi	
D550,848 S	9/2007	Juta	

(Continued)

Related U.S. Application Data

- (62) Division of application No. 35/513,912, filed on Sep. 29, 2021 (U.S. filing date under 35 U.S.C. 384), and having an international filing date of Sep. 29, 2021, now Pat. No. Des. 1,006,237.
- (51) **LOC (14) Cl.** **24-04**
- (52) **U.S. Cl.**
USPC **D24/190**
- (58) **Field of Classification Search**
USPC D24/188-192, 171, 199, 200, 206, D24/212-214; D29/100, 101.1, 101.3, D29/121.2, 120.1, 120.2
CPC A61F 5/0118; A61F 5/01; A61F 5/05866; A61F 13/04; A61F 13/085; A61H 9/0078; A61H 9/0092; A41D 13/088; A41D 13/08; A41D 13/081
See application file for complete search history.

References Cited

U.S. PATENT DOCUMENTS

- 1,258,052 A * 3/1918 Stall A61F 13/08
473/214
- 3,306,288 A 2/1967 Benjamin

OTHER PUBLICATIONS

Fittoo copper wrist compression, [site visited Nov. 17, 2023]. Available from Internet. URL: https://www.amazon.com/dp/B09BJN9HQC/ref=sspa_dk_detail_3?th=1 (Year: 2021).*

Primary Examiner — T Chase Nelson
Assistant Examiner — Kelly L Gross
(74) *Attorney, Agent, or Firm* — Pearne & Gordon LLP

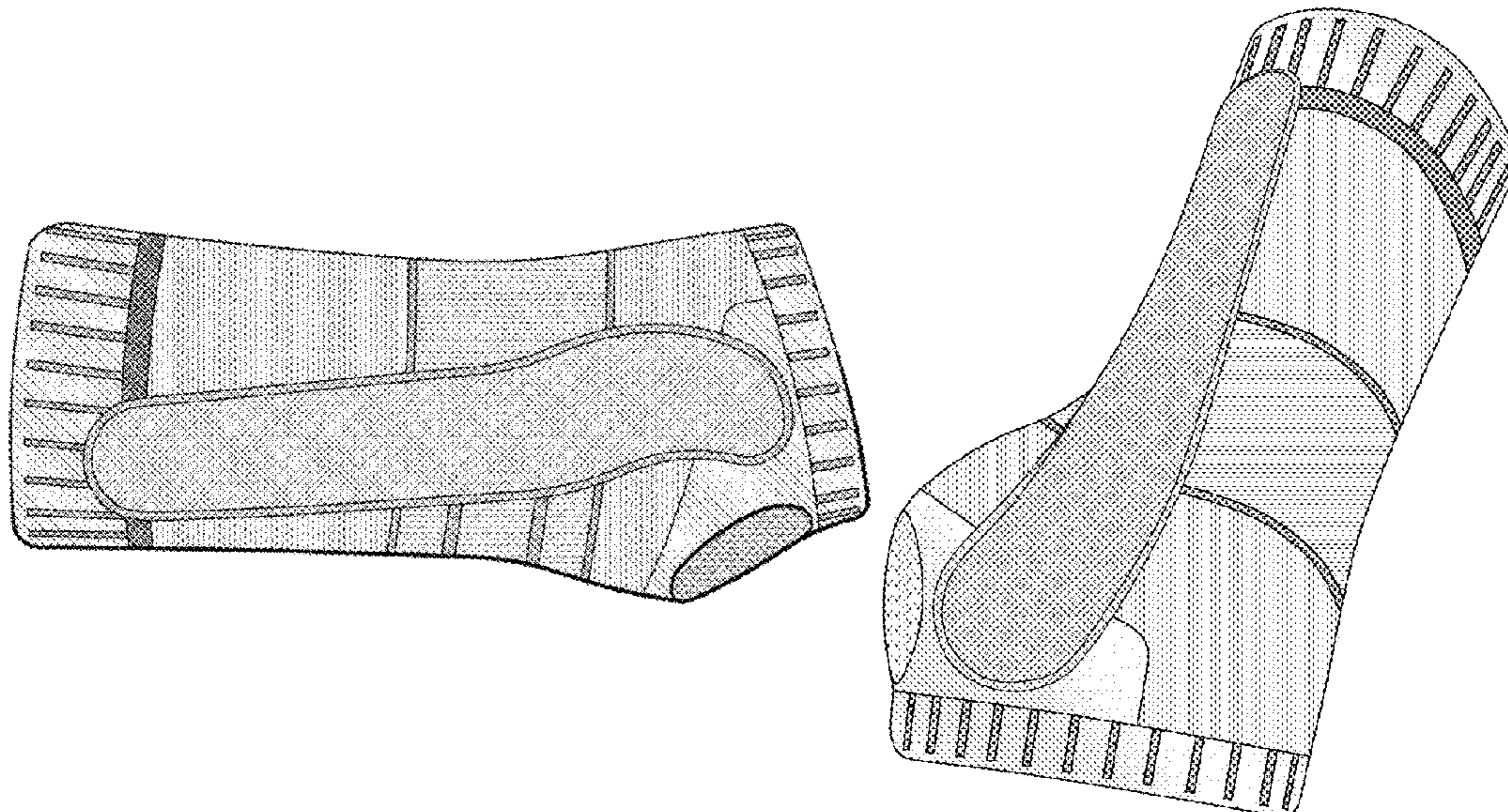
(57) **CLAIM**

The ornamental design for a wrist bandage, as shown and described.

DESCRIPTION

FIG. 1 is a right view of a wrist bandage.
FIG. 2 is a left view thereof.
FIG. 3 is a top view thereof.
FIG. 4 is a bottom view thereof.
FIG. 5 is a top left perspective view thereof; and,
FIG. 6 is a bottom right perspective view thereof.

1 Claim, 6 Drawing Sheets



(56)

References Cited

U.S. PATENT DOCUMENTS

D552,246 S * 10/2007 Juta D24/190
 D553,250 S * 10/2007 Juta D24/190
 D556,385 S * 11/2007 Hostetler D29/117.1
 D569,984 S 5/2008 Reinhardt
 7,383,591 B1 * 6/2008 Getzwiller A63B 71/14
 36/114
 D580,063 S 11/2008 Lin
 D580,064 S * 11/2008 Lin D24/190
 D580,554 S 11/2008 Lin
 D580,555 S * 11/2008 Lin D24/190
 D580,556 S 11/2008 Lin
 D580,557 S * 11/2008 Lin D24/192
 D598,115 S * 8/2009 Reinhardt D24/190
 D623,757 S 9/2010 Chiang
 D623,758 S * 9/2010 Chiang D24/190
 D623,761 S * 9/2010 Chiang D24/192
 D623,762 S * 9/2010 Chiang D24/192
 D629,912 S * 12/2010 Chiang D24/190
 D630,333 S 1/2011 Chiang
 D635,266 S 3/2011 Chiang
 D641,107 S 7/2011 Bonner
 D652,172 S * 1/2012 Todd D29/120.1
 D654,181 S 2/2012 Chiang
 D656,685 S * 3/2012 Best D29/120.1
 D664,663 S * 7/2012 Chiang D24/190
 D665,914 S * 8/2012 Chiang D24/192
 D665,950 S 8/2012 Rokitta
 D692,619 S * 10/2013 Best D29/120.1
 D707,361 S 6/2014 Banks
 D728,805 S 5/2015 Tanaka
 D746,997 S 1/2016 Higgins
 D766,450 S * 9/2016 Higgins D24/190
 D767,772 S 9/2016 Jiminez
 D767,773 S 9/2016 Jiminez
 D778,506 S 2/2017 Matfus
 D785,190 S 4/2017 Bell
 D785,804 S 5/2017 Matfus
 D800,324 S 10/2017 Cox
 D802,893 S 11/2017 Matfus
 D808,029 S 1/2018 Jimenez
 D811,612 S 2/2018 Iida
 D829,332 S * 9/2018 Cheers-Young D24/190
 D834,202 S 11/2018 Legatt
 D837,986 S 1/2019 Khubani
 D837,988 S * 1/2019 Khubani D24/192
 D845,491 S * 4/2019 Khubani D24/190

D848,006 S * 5/2019 Lind D24/190
 D850,631 S 6/2019 McEwen
 D850,632 S 6/2019 Chiang
 D850,635 S * 6/2019 Chiang D24/192
 D851,262 S 6/2019 Lind
 D852,369 S 6/2019 Chiang
 D852,966 S 7/2019 Chiang
 D861,885 S 10/2019 McEwen
 D863,566 S 10/2019 Sigurdsson
 D863,567 S 10/2019 Sigurdsson
 D865,977 S 11/2019 Rokitta
 D876,649 S 2/2020 Lind
 D880,704 S 4/2020 McEwen
 D883,498 S 5/2020 Lu
 D883,500 S * 5/2020 Lu D24/192
 D884,194 S 5/2020 Higgins
 D884,909 S 5/2020 McBride
 D885,588 S 5/2020 Cox
 D894,406 S 8/2020 Webb
 D895,816 S 9/2020 Lan
 D905,859 S 12/2020 Inzer
 D944,404 S 2/2022 Rokitta
 D951,462 S 5/2022 Rokitta
 D954,389 S * 6/2022 Tatiyatrairong D2/617
 D958,376 S 7/2022 Wang
 D963,173 S * 9/2022 Chen D24/192
 D965,795 S 10/2022 Rokitta
 D965,796 S 10/2022 Lan
 D971,417 S 11/2022 Li
 D973,210 S 12/2022 Webb
 D999,918 S * 9/2023 Guo D24/192
 D1,002,020 S * 10/2023 Chen D24/190
 D1,004,785 S * 11/2023 Dillingham D24/190
 D1,014,765 S * 2/2024 Hu D24/190
 2005/0049536 A1 3/2005 Chiang
 2005/0197608 A1 * 9/2005 Taylor A61F 5/0118
 602/21
 2005/0197609 A1 * 9/2005 Mills A61F 5/0118
 602/21
 2009/0177137 A1 7/2009 Evans
 2013/0053743 A1 2/2013 Reinhardt
 2016/0081835 A1 3/2016 Grange
 2018/0042754 A1 2/2018 Ingimundarson
 2018/0078398 A1 3/2018 Ingimundarson
 2018/0110894 A1 * 4/2018 Watson A61L 15/07
 2020/0129737 A1 4/2020 Woodard
 2020/0237545 A1 7/2020 Omarsson
 2021/0137741 A1 5/2021 Yamada

* cited by examiner

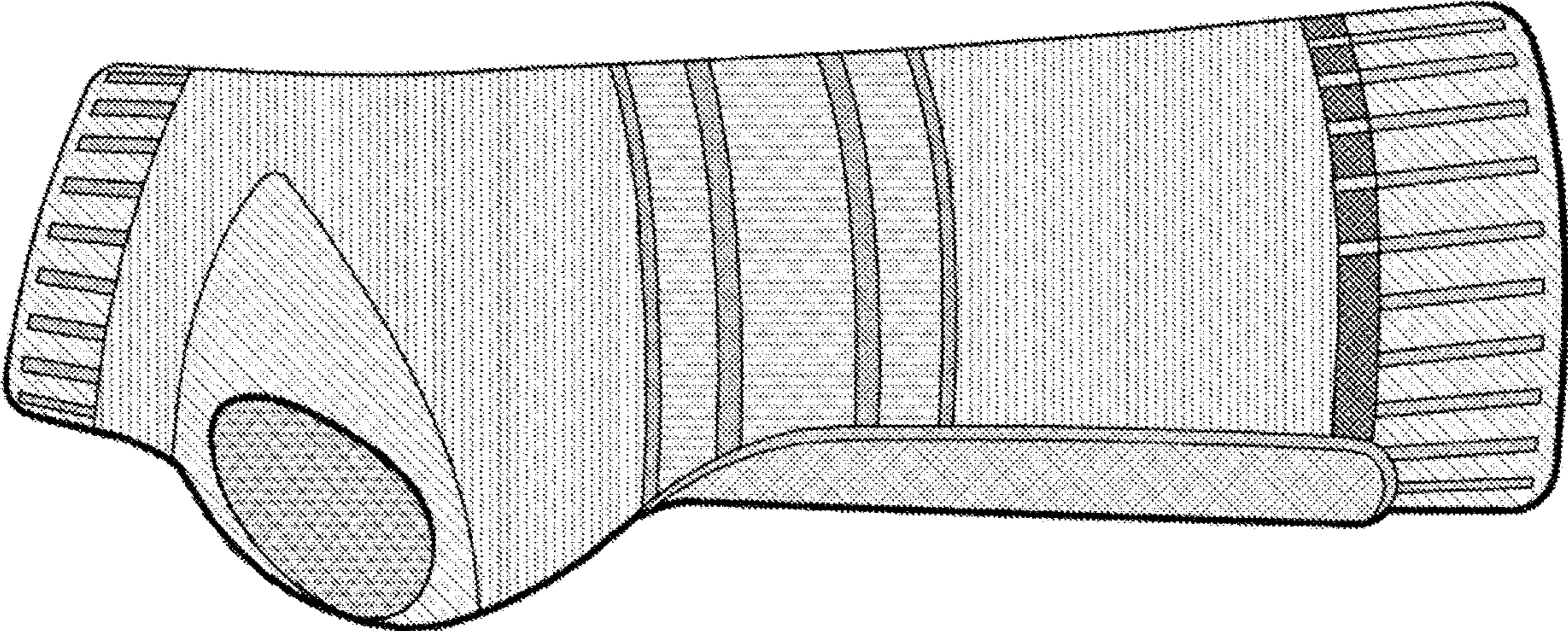


FIG. 1

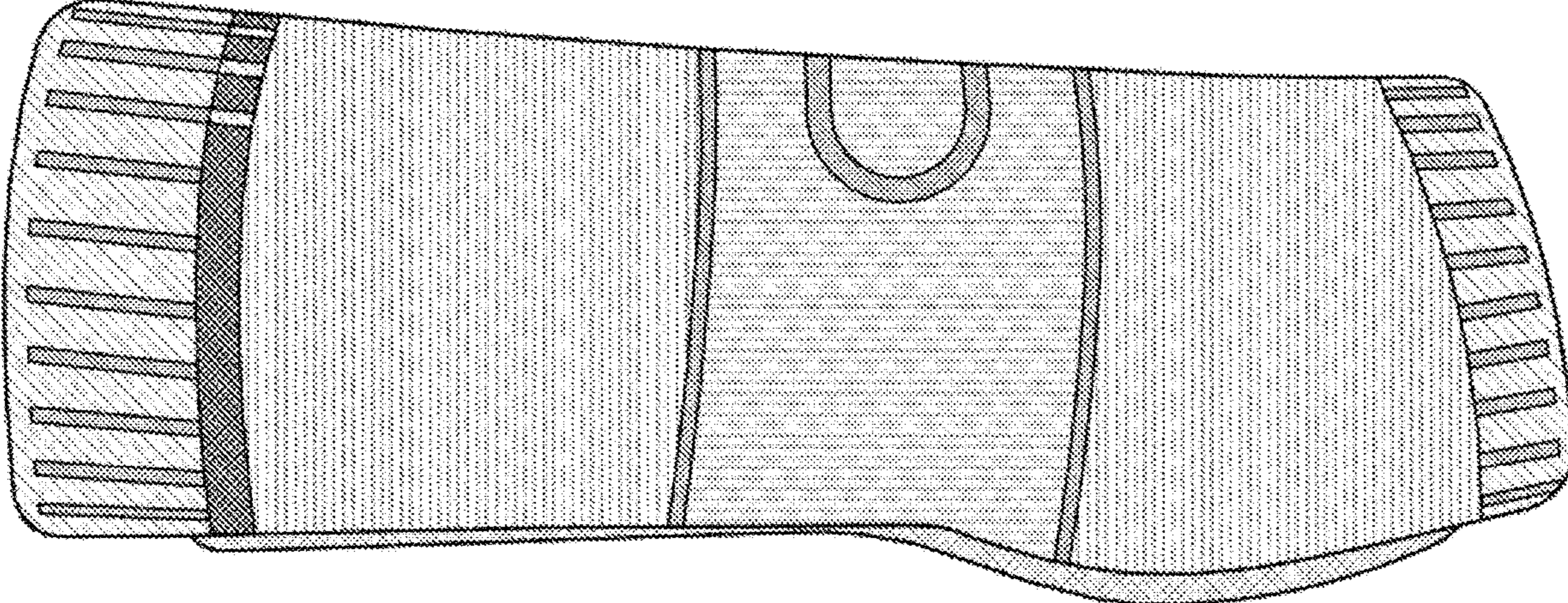


FIG. 2

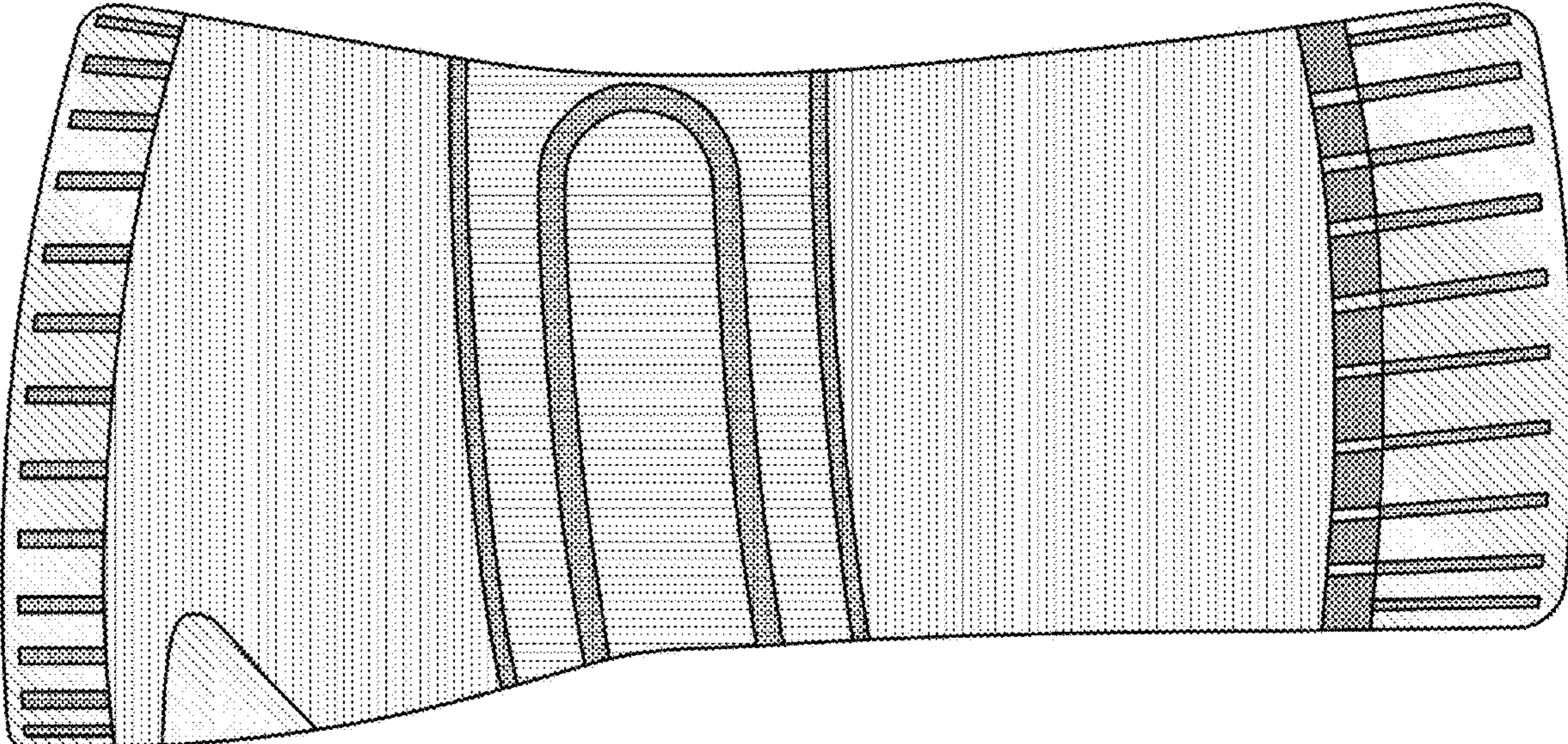


FIG. 3

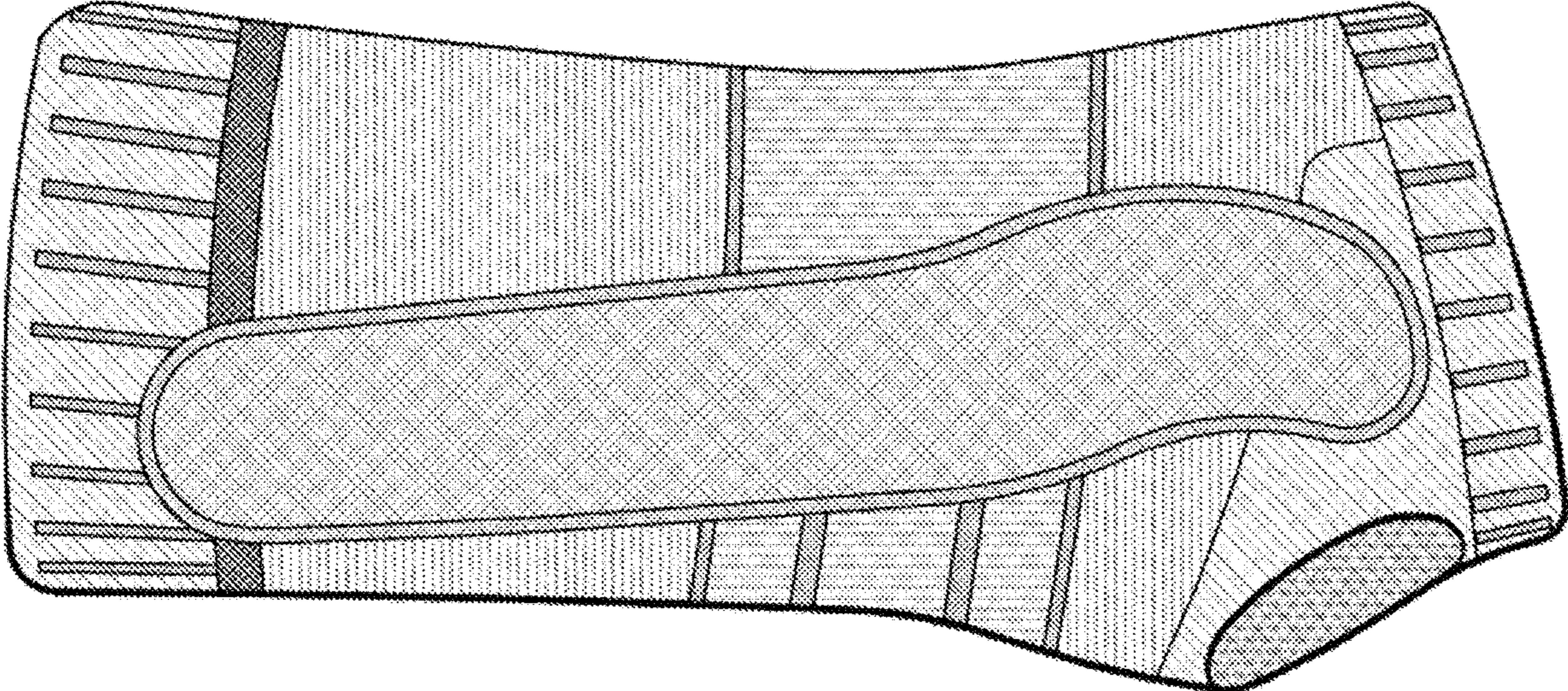


FIG. 4

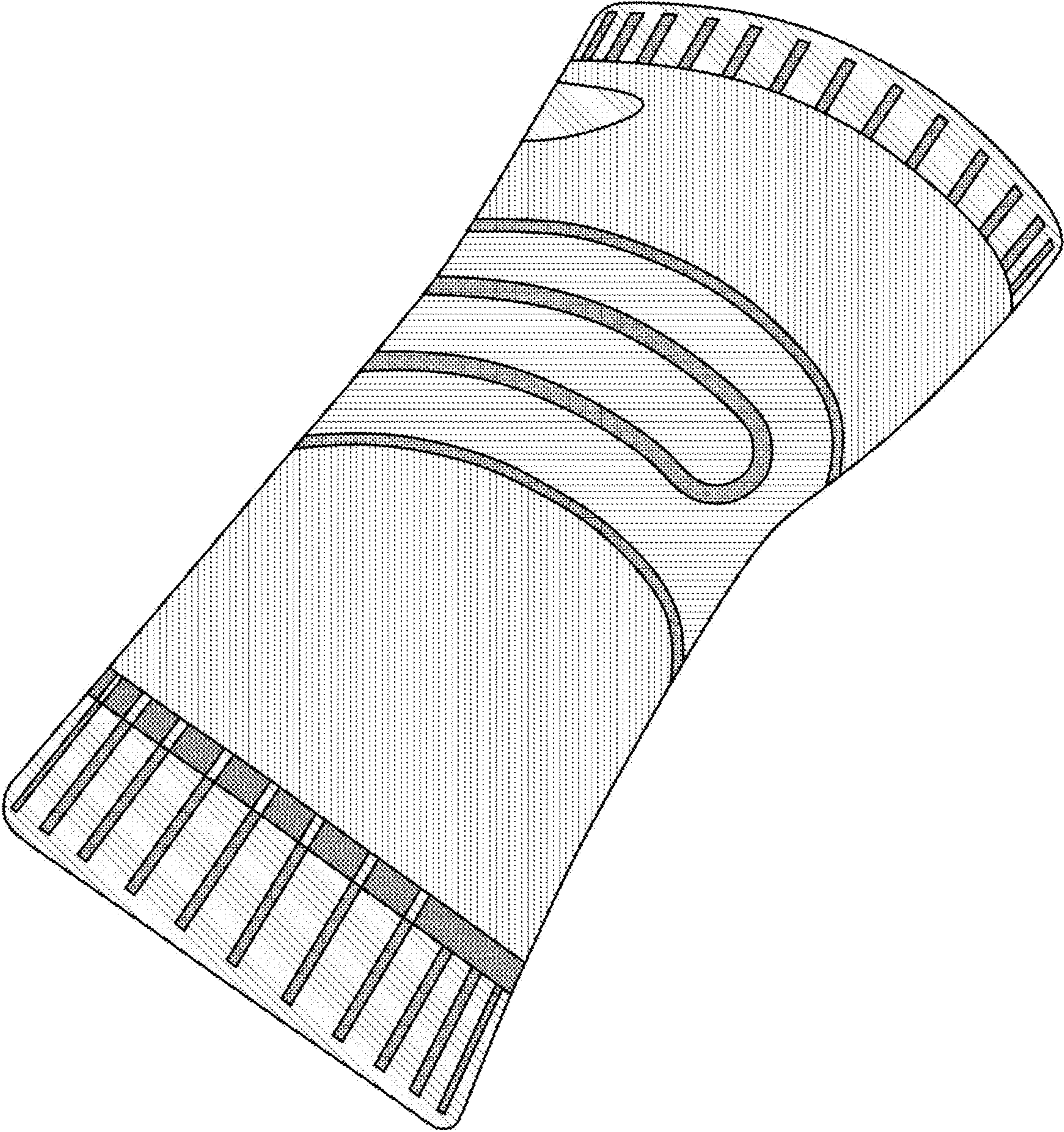


FIG. 5

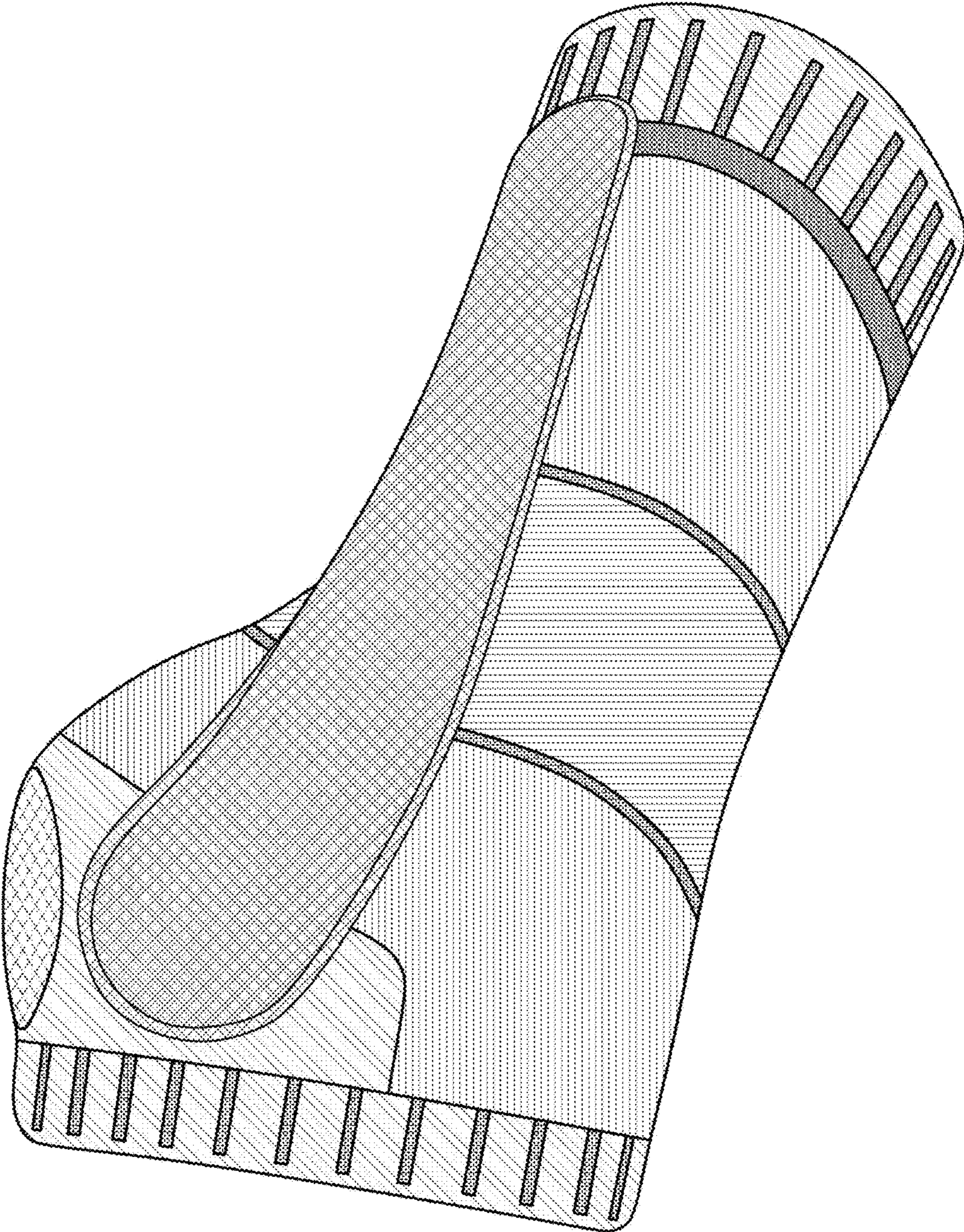


FIG. 6