



US0D1039112S

(12) **United States Design Patent** (10) **Patent No.:** **US D1,039,112 S**
Nader et al. (45) **Date of Patent:** **** Aug. 13, 2024**

(54) **PRESSURE WASHER TRIGGER GUN**
(71) Applicant: **Black & Decker, Inc.**, New Britain, CT (US)
(72) Inventors: **Alexander Nader**, Charlotte, NC (US); **Samuel Eshelman**, Fallston, MD (US)
(73) Assignee: **Black & Decker, Inc.**, New Britain, CT (US)
(**) Term: **15 Years**
(21) Appl. No.: **29/804,336**
(22) Filed: **Aug. 19, 2021**
(51) **LOC (14) Cl.** **23-01**
(52) **U.S. Cl.**
USPC **D23/226**
(58) **Field of Classification Search**
USPC D23/213, 223-230; D8/14.1, 30
CPC B05B 9/01; B05B 7/1209; B05B 1/12;
B05B 1/24; B05B 7/025; B05B 11/0002;
B05B 1/005; B05B 1/02; B05B 9/0894;
B05B 9/043; B05B 1/00; B08B 3/028
See application file for complete search history.

(56) **References Cited**
U.S. PATENT DOCUMENTS
5,118,080 A * 6/1992 Hartmann B05B 1/30
239/526
D422,055 S * 3/2000 Stasny D23/226
D474,529 S * 5/2003 Sodemann D23/223
D518,873 S * 4/2006 Carpanese D23/223
D550,411 S * 9/2007 Carpanese D32/25
D573,691 S * 7/2008 Busschaert D23/226
D574,927 S * 8/2008 Larsen D23/226
D629,067 S * 12/2010 Carpanese D23/226
D726,982 S * 4/2015 Campelli D32/25
D732,766 S * 6/2015 Hughes D32/34

D750,333 S * 2/2016 Kane D32/25
D800,525 S * 10/2017 DeMarr D8/68
D828,667 S * 9/2018 Xiaobing D32/45
D877,294 S * 3/2020 Johnston D23/223
10,625,410 B2 * 4/2020 Krupsaw B25F 5/006
10,632,604 B2 * 4/2020 Perron B25C 5/162
D937,387 S * 11/2021 Mulgrew D23/226
D945,562 S * 3/2022 Yang D23/225
D974,528 S * 1/2023 Fang D23/226
D985,074 S * 5/2023 Lin D21/573
2017/0231212 A1 * 8/2017 Crenshaw A01M 7/0046
239/11
2019/0076857 A1 * 3/2019 Fideler B05B 1/3046
2019/0299233 A1 * 10/2019 Johnston B05B 1/3046
2022/0088629 A1 * 3/2022 Andersen B05B 9/01
2022/0339655 A1 * 10/2022 Wuerfl B08B 3/026

* cited by examiner

Primary Examiner — George J Ulsh
Assistant Examiner — Kathryn Elizabeth Zieno
(74) *Attorney, Agent, or Firm* — John Yun

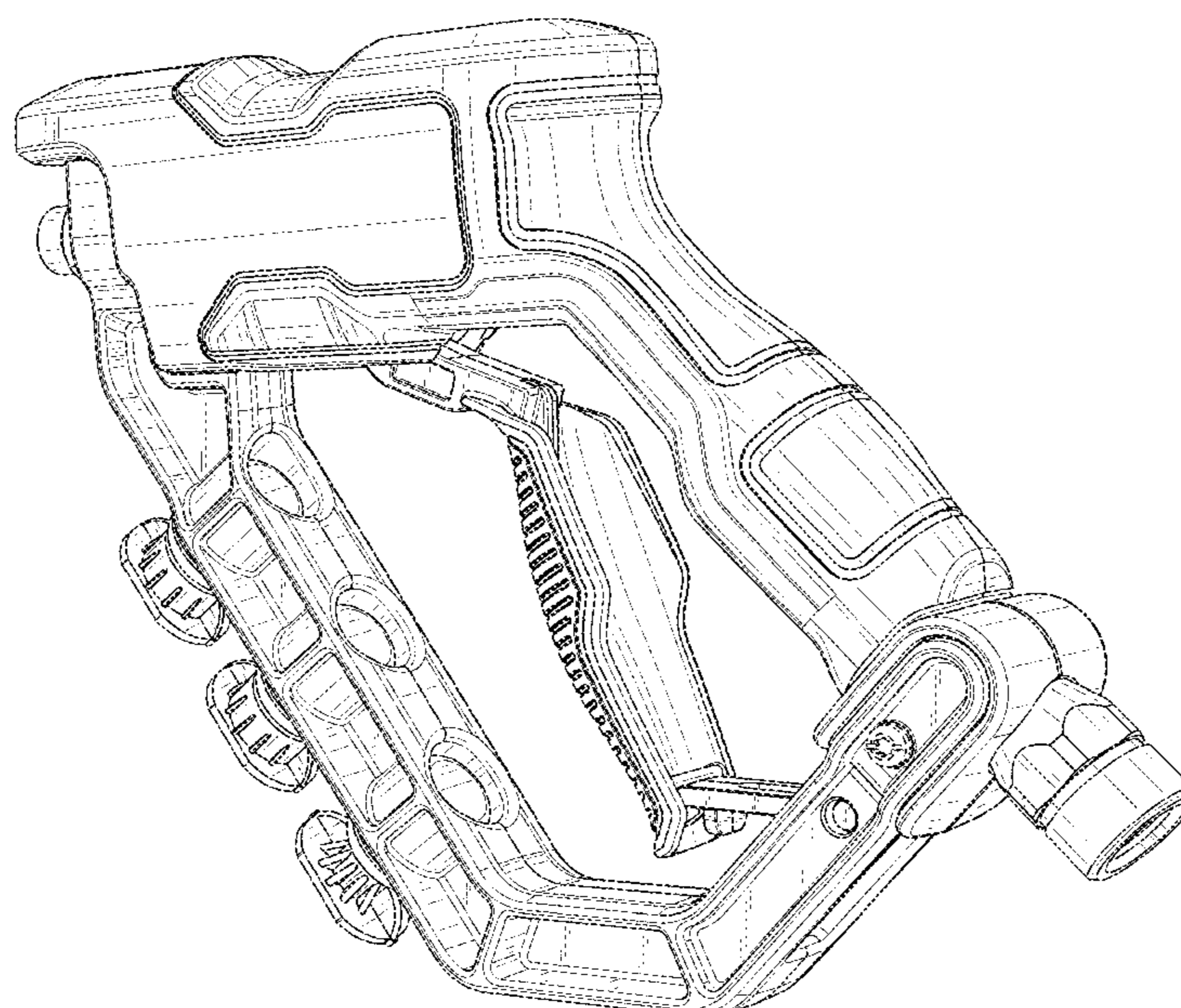
(57) **CLAIM**

The ornamental design for a pressure washer trigger gun, as shown and described.

DESCRIPTION

FIG. 1 is a perspective view of our new design.
FIG. 2 is a front view thereof.
FIG. 3 is a rear view thereof.
FIG. 4 is a left side view thereof.
FIG. 5 is a right side view thereof.
FIG. 6 is a top view thereof.
FIG. 7 is a bottom view thereof; and,
FIG. 8 is a perspective view showing a pressure washer trigger gun in a position of use with environment.
The broken lines represent portions of the pressure washer trigger gun and environment that form no part of the claimed design.

1 Claim, 6 Drawing Sheets



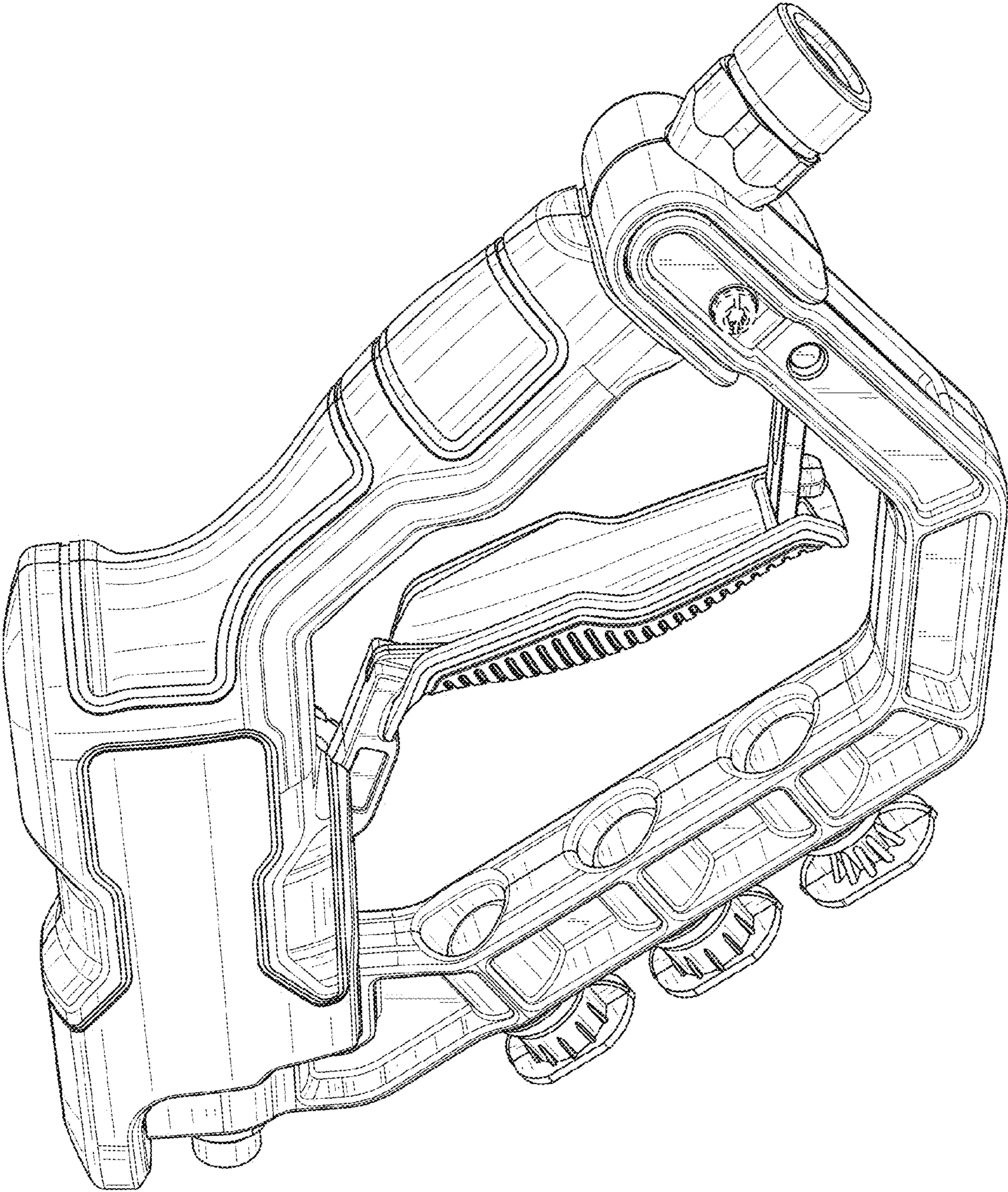


FIG. 1

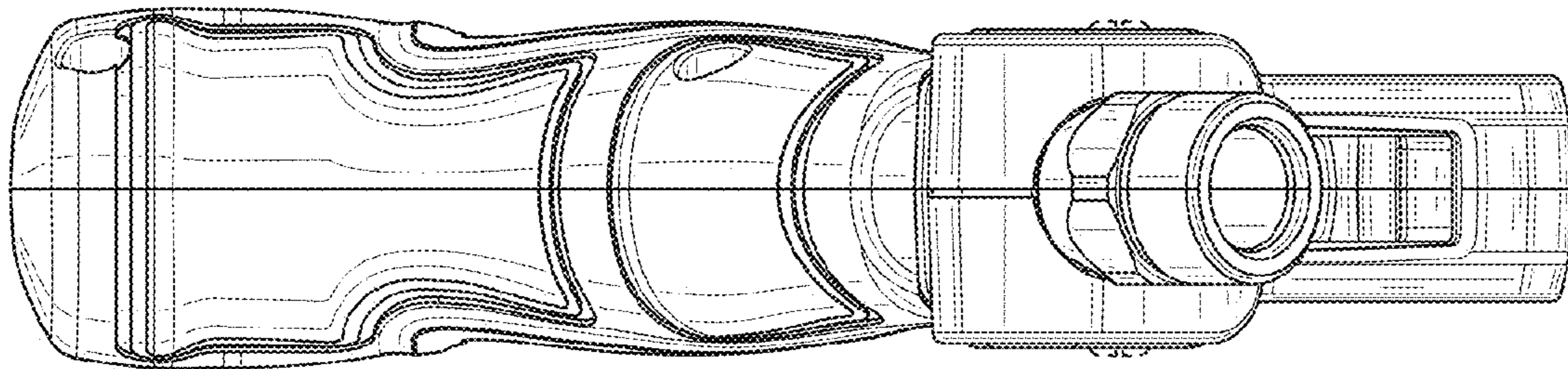


FIG. 3

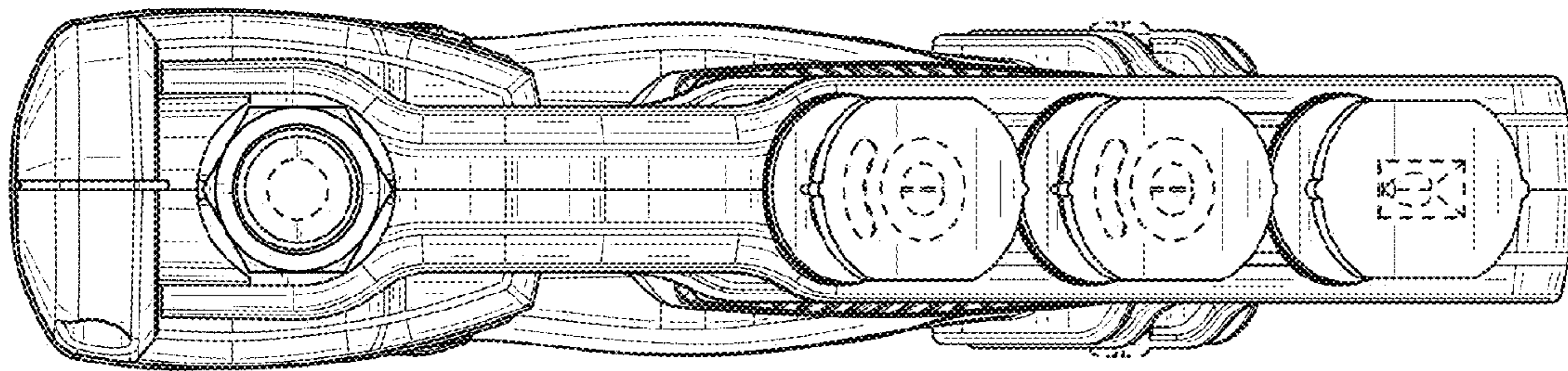


FIG. 2

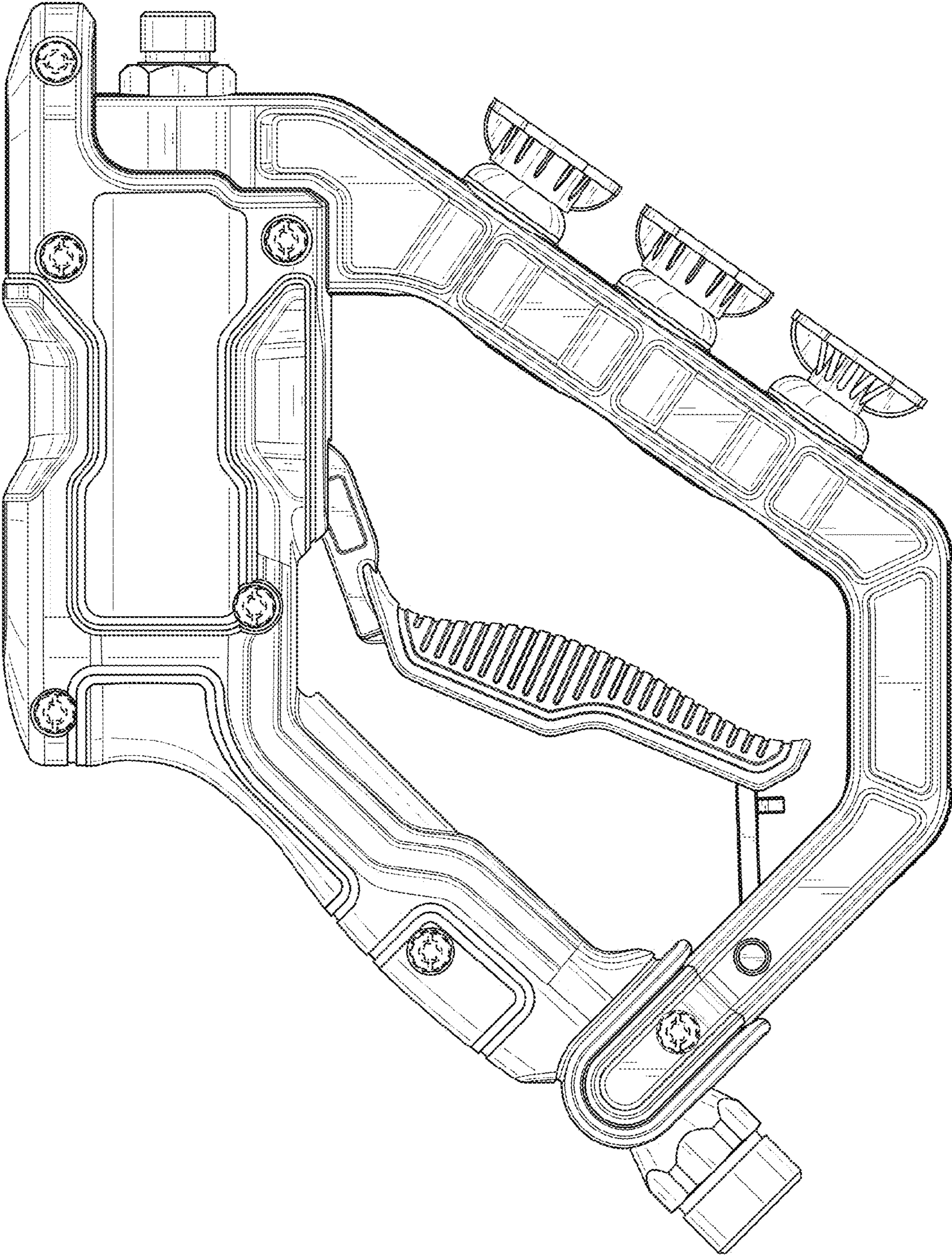


FIG. 4

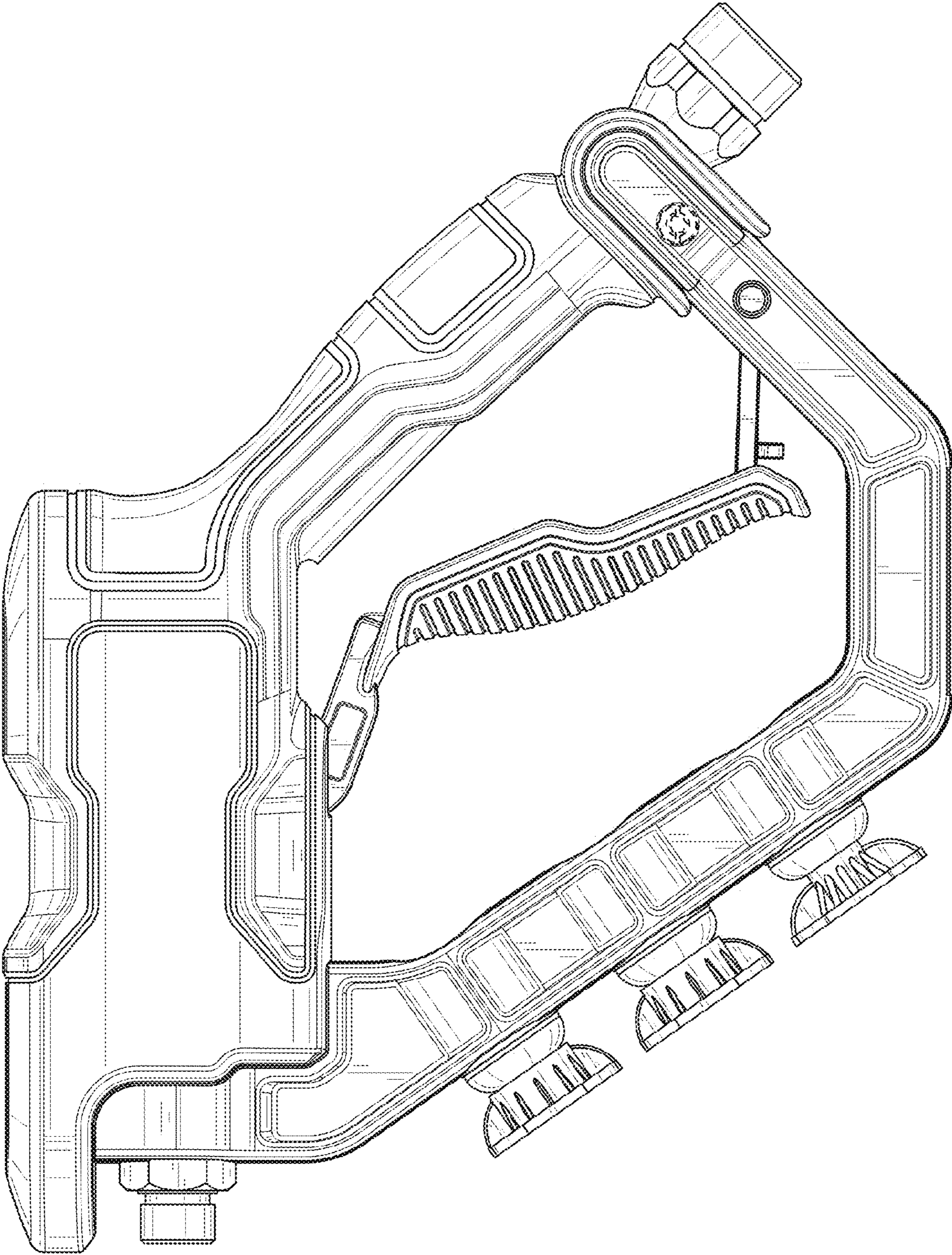


FIG. 5

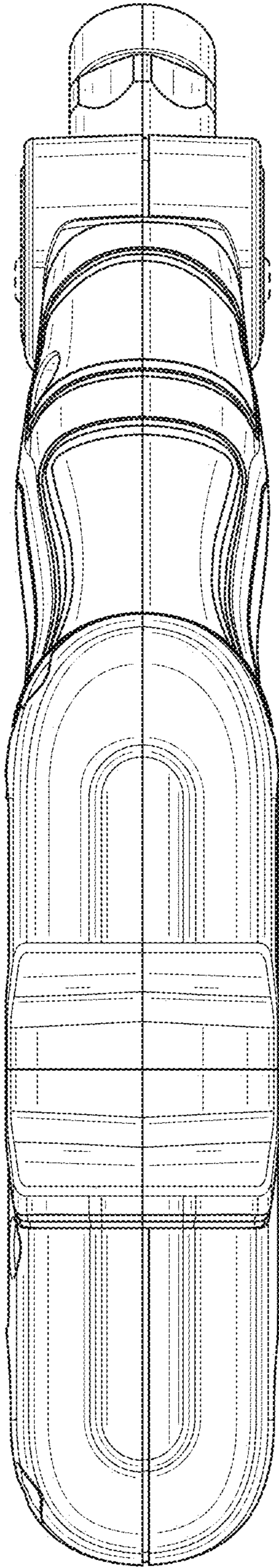


FIG. 6

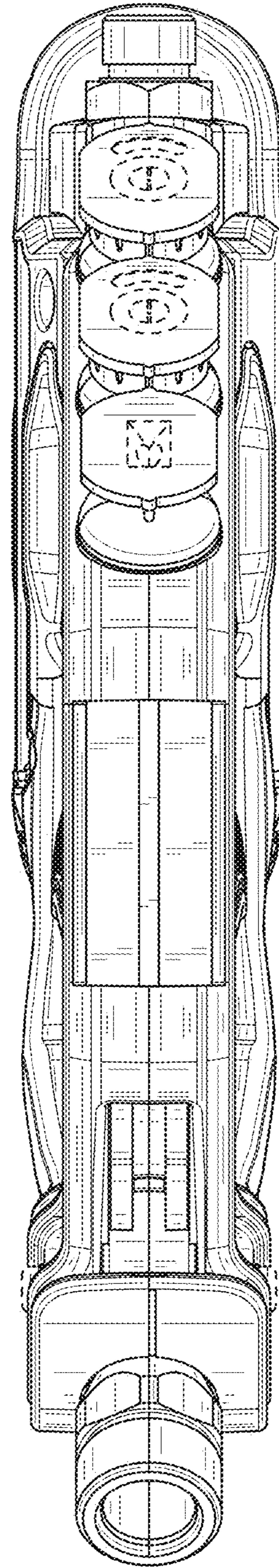


FIG. 7

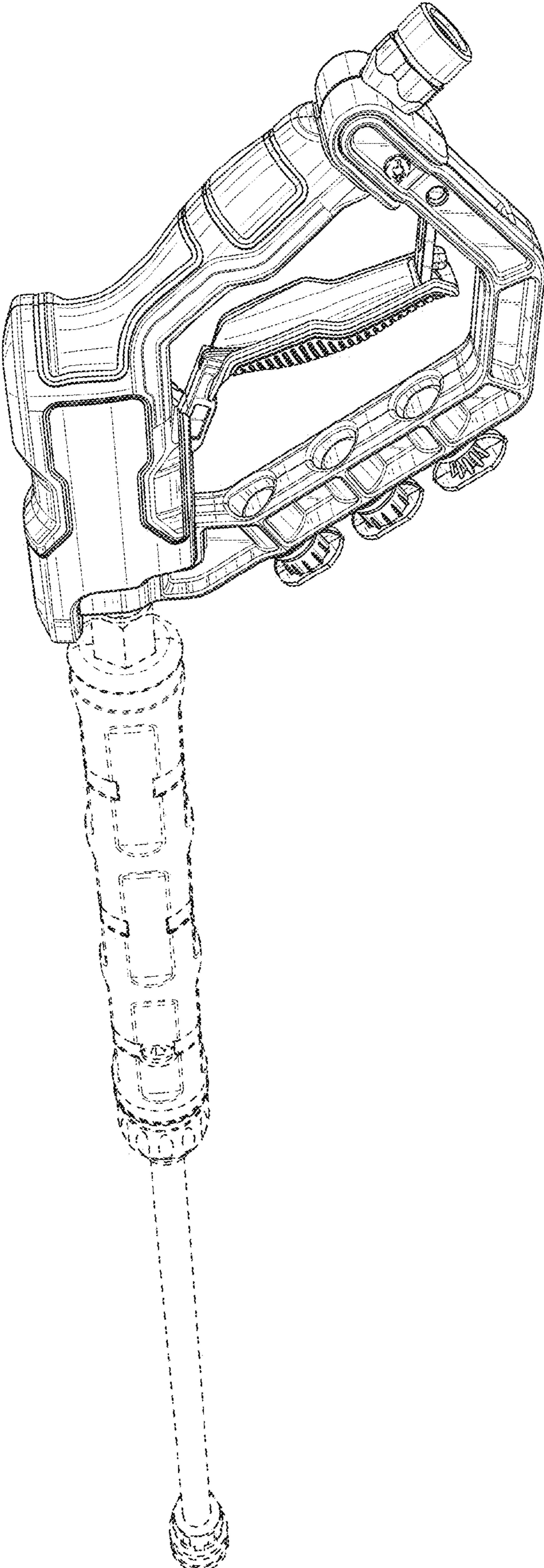


FIG. 8