



US0D1039107S

(12) **United States Design Patent** (10) **Patent No.:** **US D1,039,107 S**
Pool (45) **Date of Patent:** **** Aug. 13, 2024**

- (54) **FISHING LURE**
- (71) Applicant: **Pro-Troll, Inc.**, Concord, CA (US)
- (72) Inventor: **Richard B Pool**, Concord, CA (US)
- (73) Assignee: **Pro-Troll Inc.**, Concord, CA (US)
- (**) Term: **15 Years**
- (21) Appl. No.: **29/849,546**
- (22) Filed: **Aug. 11, 2022**
- (51) **LOC (14) Cl.** **22-05**
- (52) **U.S. Cl.**
USPC **D22/126**
- (58) **Field of Classification Search**
USPC D22/125-127, 131-134
CPC A01K 85/00; A01K 85/005; A01K 85/011;
A01K 85/012; A01K 85/013
See application file for complete search history.

6,735,898 B2 * 5/2004 Luke A01K 85/00
43/42.48
D937,965 S * 12/2021 Toris D22/133
D1,020,963 S * 4/2024 Anderson D22/107

OTHER PUBLICATIONS

Whole bait head lure: Amazon. (Apr. 18, 2024), https://www.amazon.com/Whole-Bait-Head-Chrome-Blue/dp/B091JFRLW8/ref=asc_df_B091JFRLW8/?tag=hyprod-20&linkCode=df0&hvadid=652498062872&hvpos=&hvnetw=g&hvrand= (Year: 2021).*

* cited by examiner

Primary Examiner — Catherine R Oliver-Garcia
(74) *Attorney, Agent, or Firm* — Peter Tormey; A, T, & P, PC

(57) **CLAIM**

The ornamental design for a fishing lure, as shown and described.

DESCRIPTION

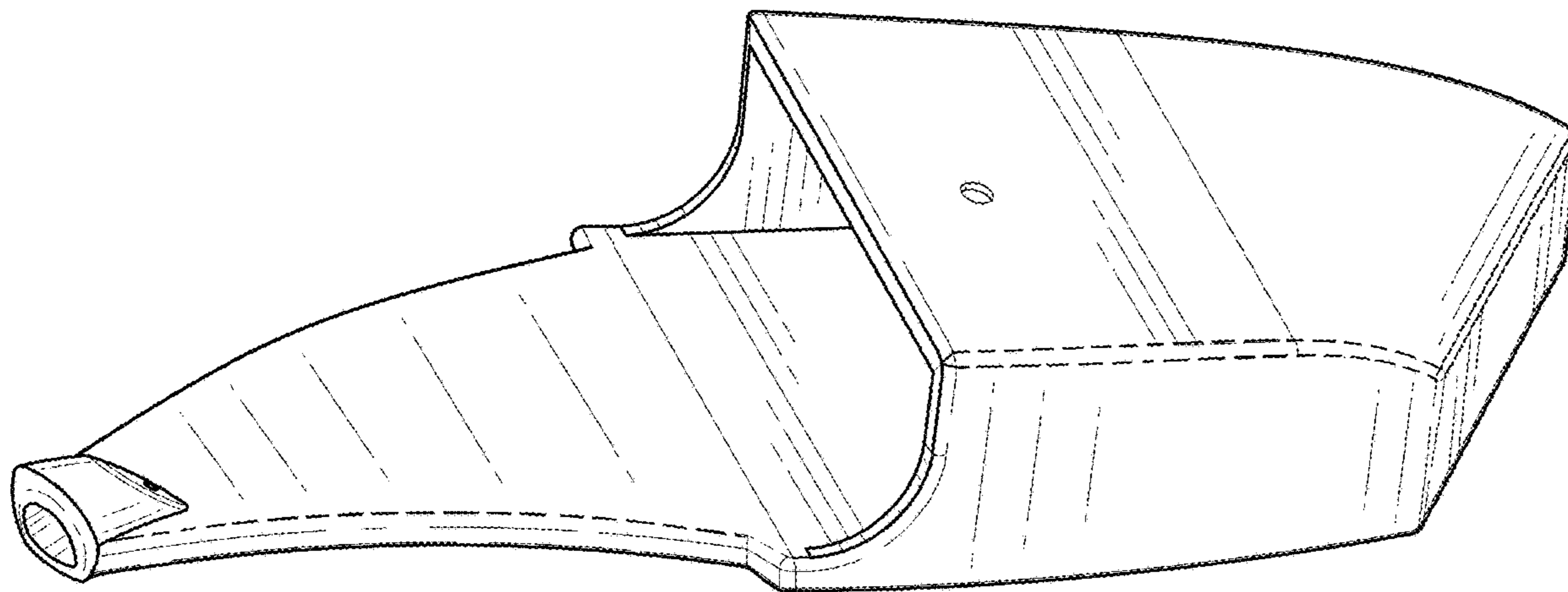
FIG. 1 is a perspective view
 FIG. 2 is a rear view
 FIG. 3 is a front view
 FIG. 4 is a left-side view
 FIG. 5 is a right-side view
 FIG. 6 is a top view; and,
 FIG. 7 is a bottom view.
 The broken lines shown are included for the purpose of illustrating environmental structure or unclaimed matter and form no part of the claimed design.

(56) **References Cited**

U.S. PATENT DOCUMENTS

- D193,432 S * 8/1962 Gunderson D22/126
- 3,507,070 A * 4/1970 Rossello A01K 85/16
43/42.36
- D217,453 S * 5/1970 Blazer 43/42.48
- D219,653 S * 1/1971 Hanna D22/133
- D234,763 S * 4/1975 Weathered D22/126
- D273,509 S * 4/1984 Marx D22/131
- 5,261,181 A * 11/1993 Melton A01K 85/00
43/42.36

1 Claim, 6 Drawing Sheets



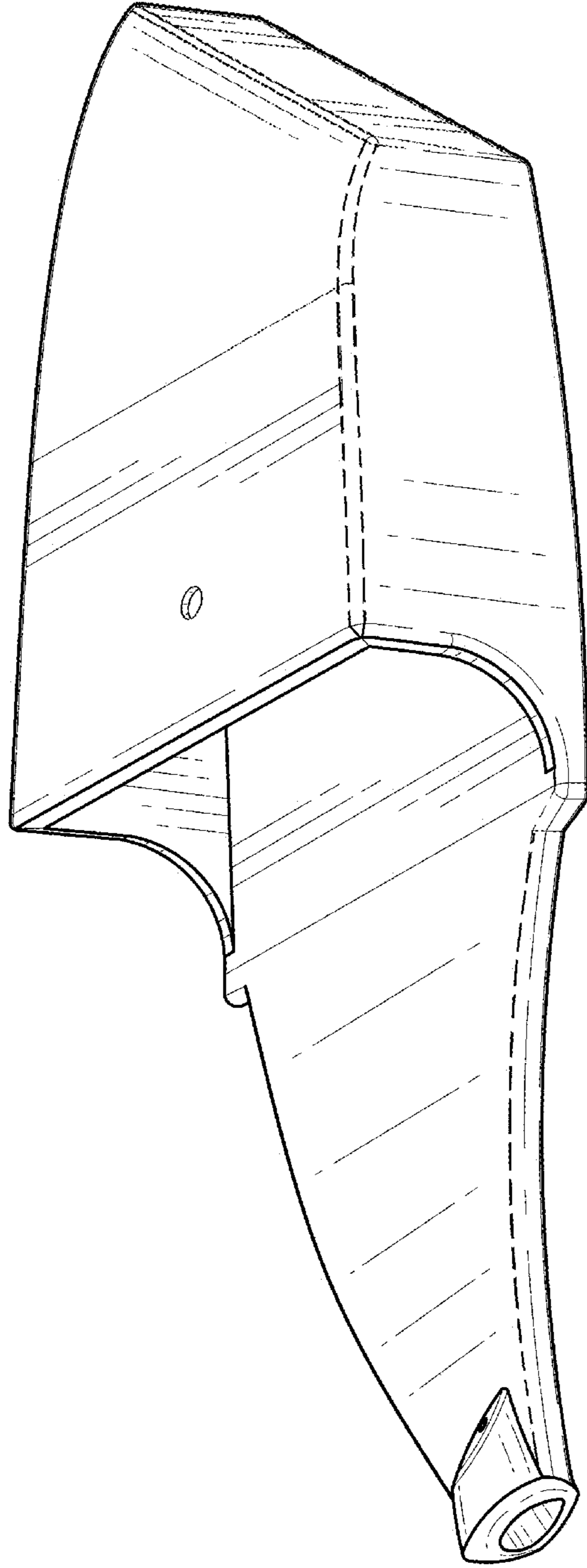


FIG. 1

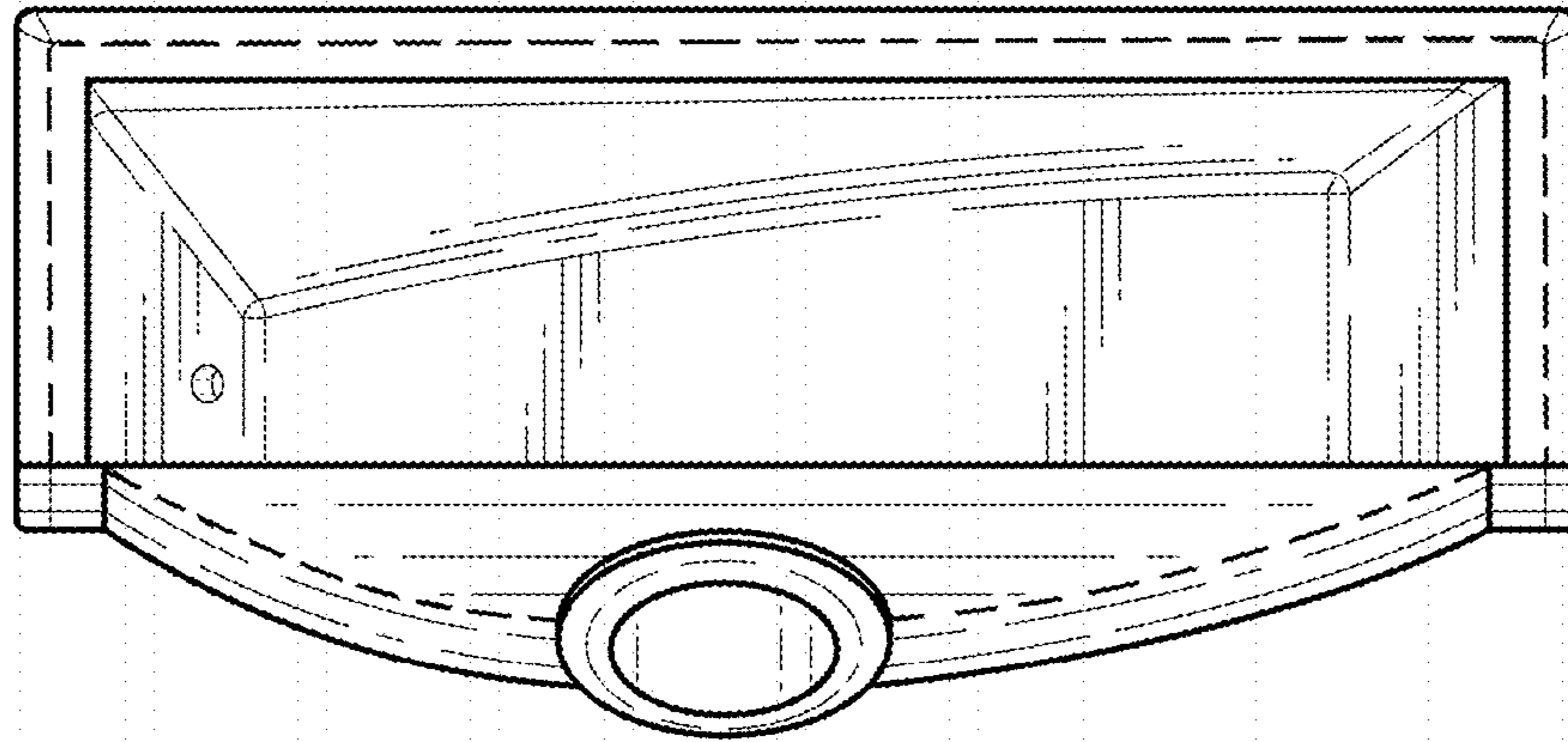


FIG. 2

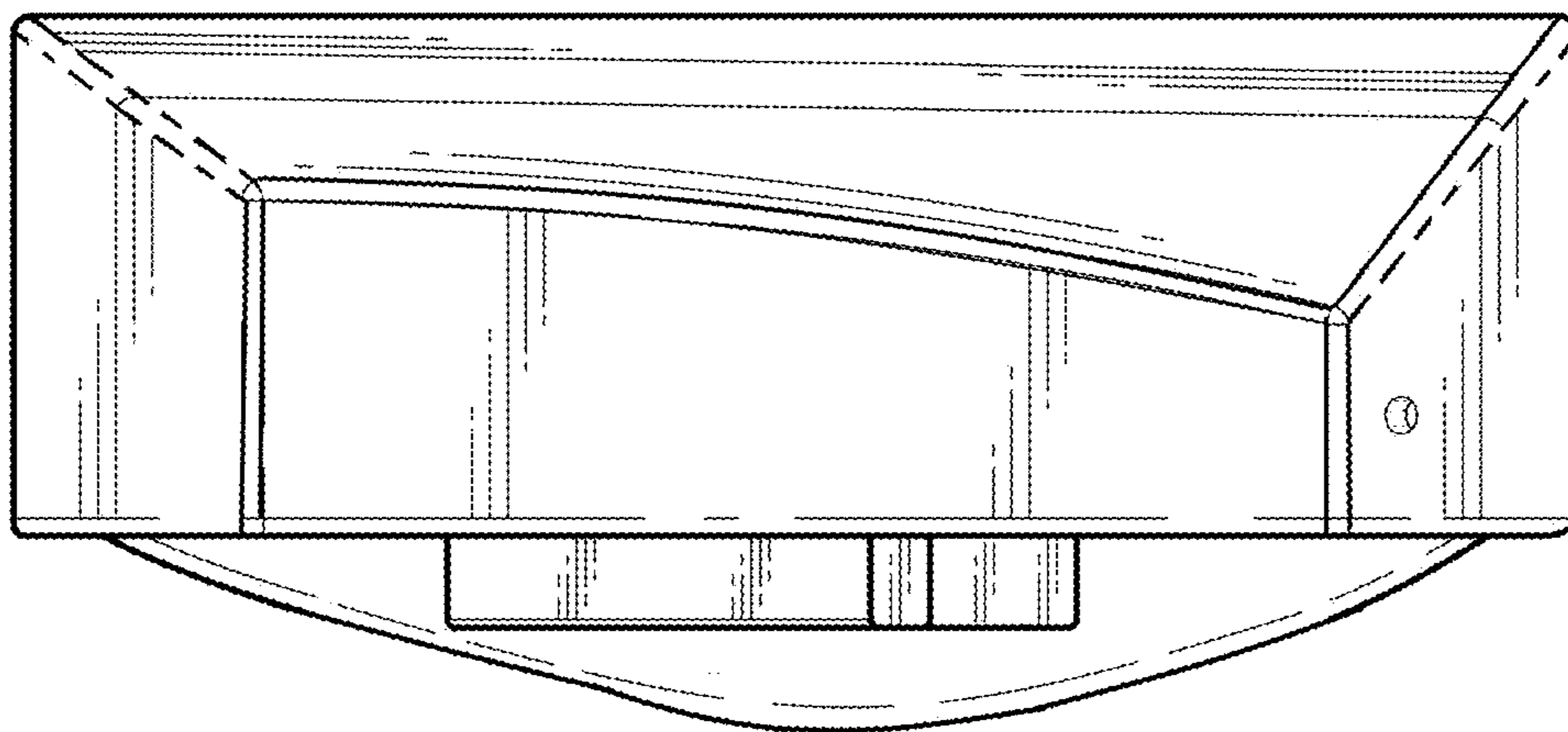


FIG. 3

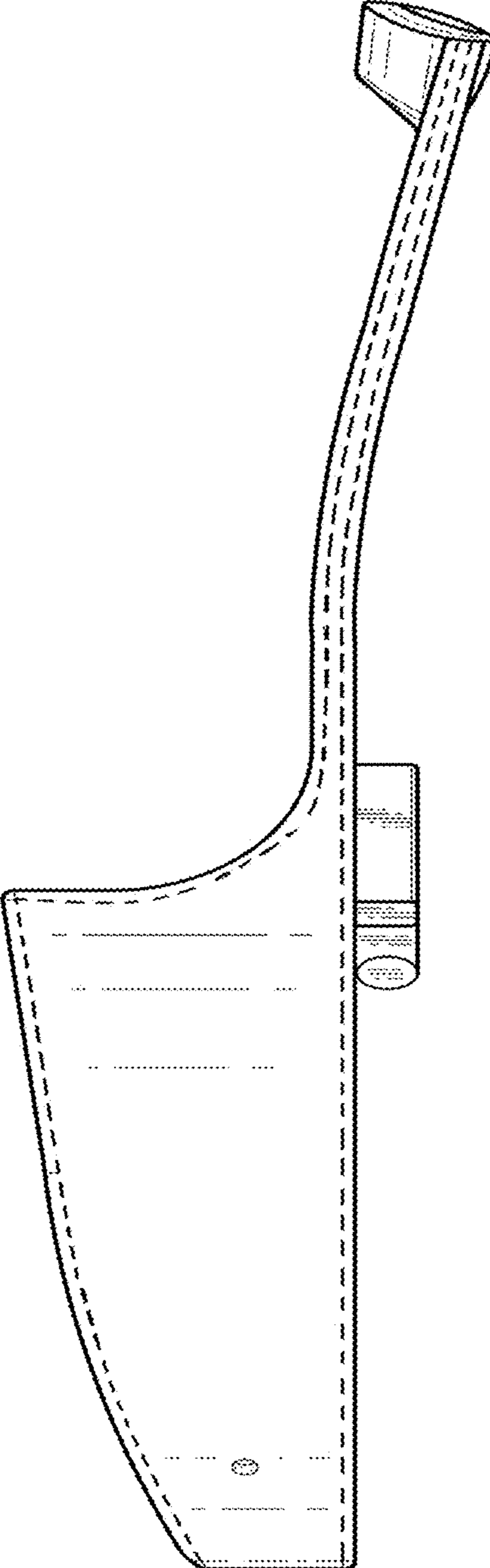


FIG. 4

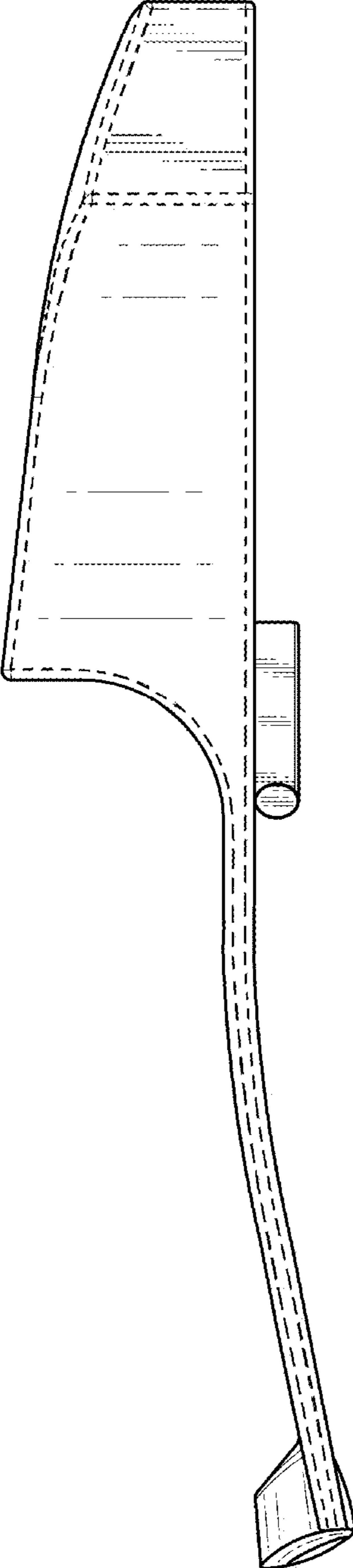


FIG. 5

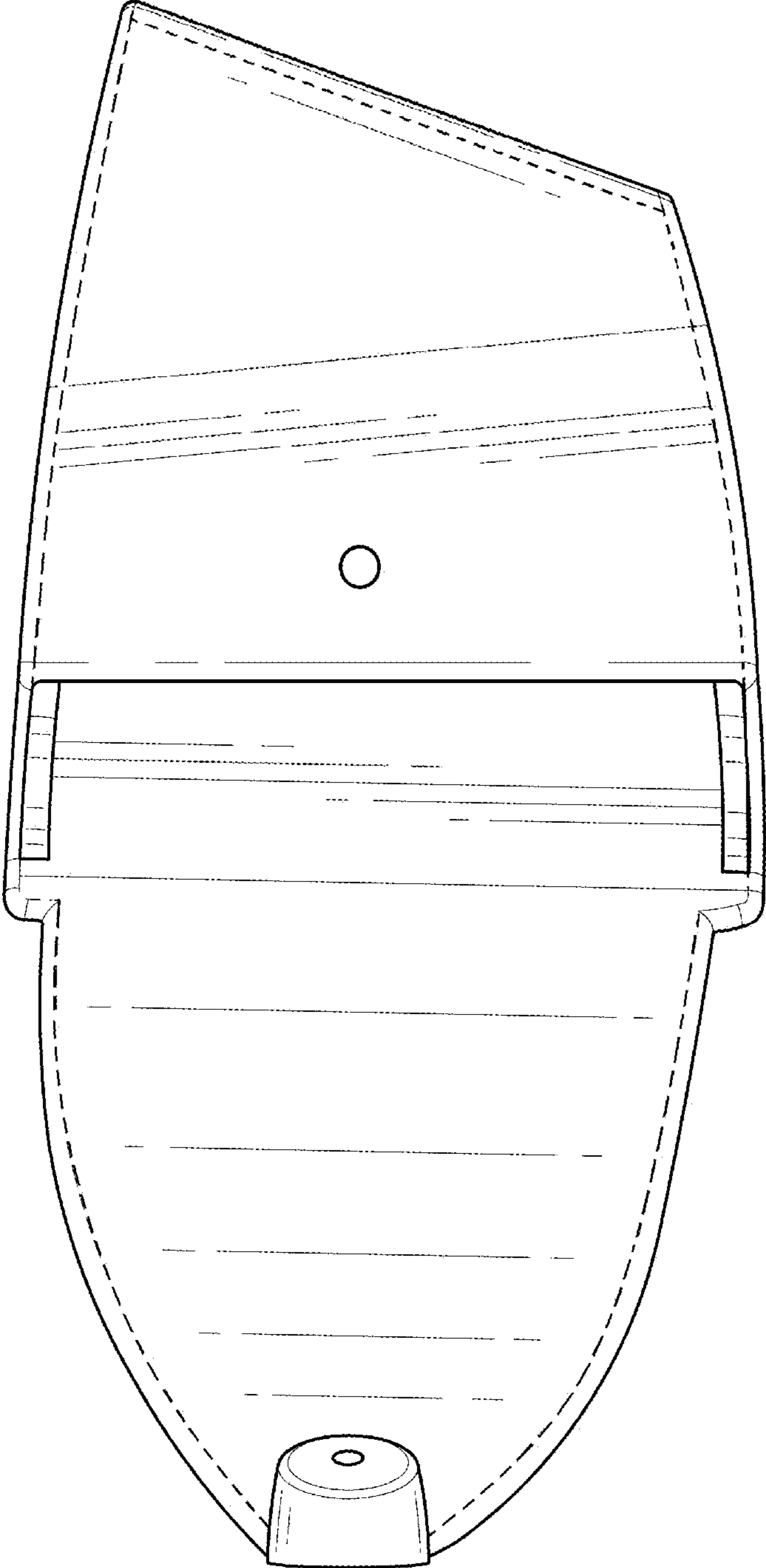


FIG. 6

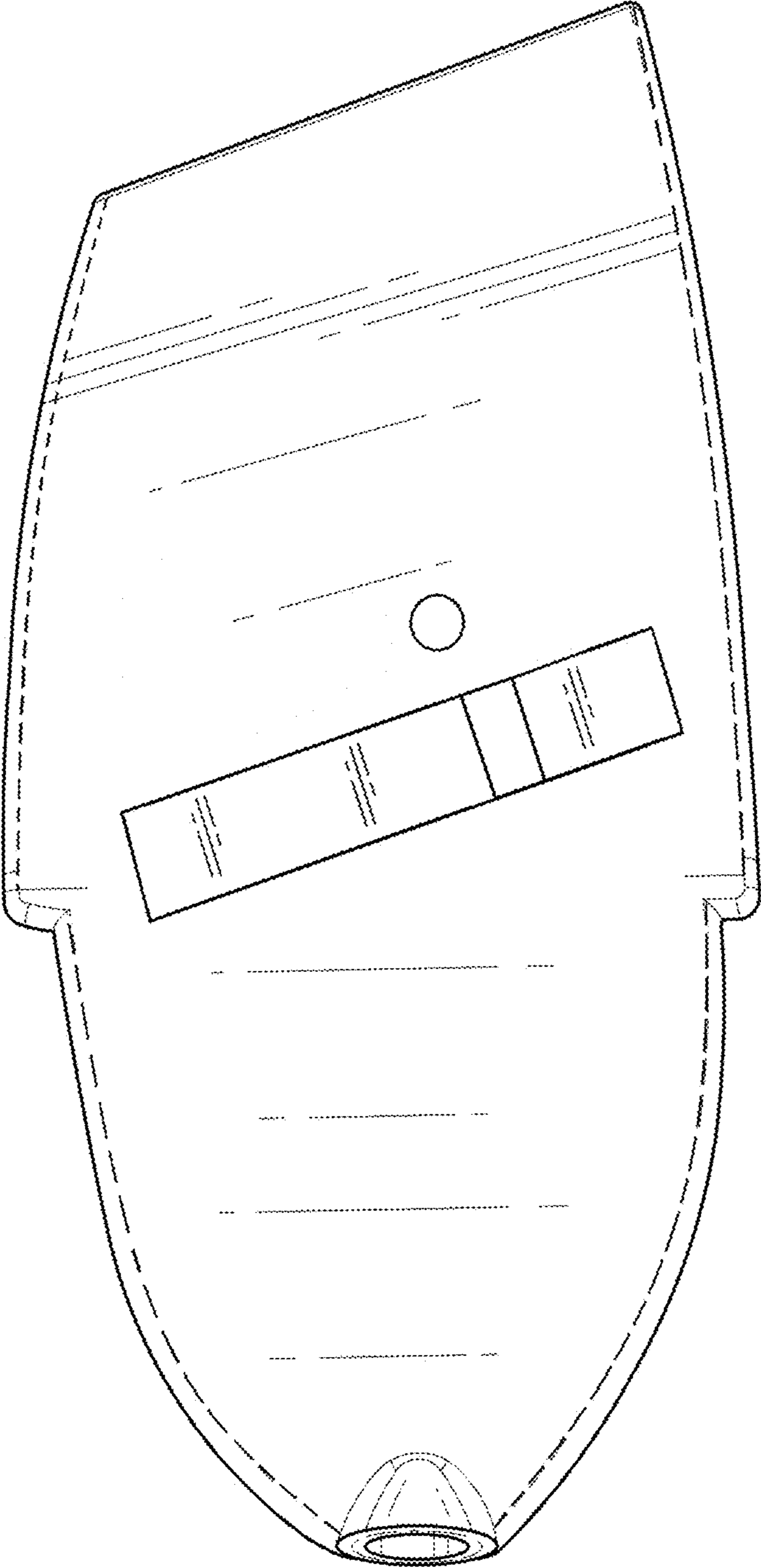


FIG. 7