



US0D1039037S

(12) **United States Design Patent** (10) **Patent No.:** **US D1,039,037 S**
Ruff (45) **Date of Patent:** **** Aug. 13, 2024**

- (54) **BANJO CUSHION**
- (71) Applicant: **Jeffrey Ruff**, Whittier, CA (US)
- (72) Inventor: **Jeffrey Ruff**, Whittier, CA (US)
- (**) Term: **15 Years**
- (21) Appl. No.: **29/856,582**
- (22) Filed: **Oct. 14, 2022**

Related U.S. Application Data

- (63) Continuation-in-part of application No. 17/398,990, filed on Aug. 10, 2021, now Pat. No. 11,482,200.
- (51) **LOC (14) Cl.** **17-03**
- (52) **U.S. Cl.**
USPC **D17/20**
- (58) **Field of Classification Search**
USPC D17/20, 99; D3/204; D6/601
CPC G10D 3/00; G10D 99/00; A45F 2200/05; A45F 2005/1086
See application file for complete search history.

(56) **References Cited**

U.S. PATENT DOCUMENTS

- 2,805,420 A * 9/1957 Spellos A41D 13/065 2/24
- D278,442 S * 4/1985 Whomsley D3/204
- D480,211 S * 10/2003 Wolf D3/276
- D613,940 S * 4/2010 Colwell D3/269

- D769,363 S * 10/2016 Chou D17/20
- D919,284 S * 5/2021 Cui D3/204
- D939,626 S * 12/2021 Holownia D17/13
- 2022/0044658 A1 * 2/2022 Ruff G10D 1/10

OTHER PUBLICATIONS

Gator. <https://gatorco.com/shop-by-category/folk-instrument/browse-by-instrument-folk/banjo/>. Banjo Cases. Sep. 2023 (Year: 2023).*

* cited by examiner

Primary Examiner — R. Johnson

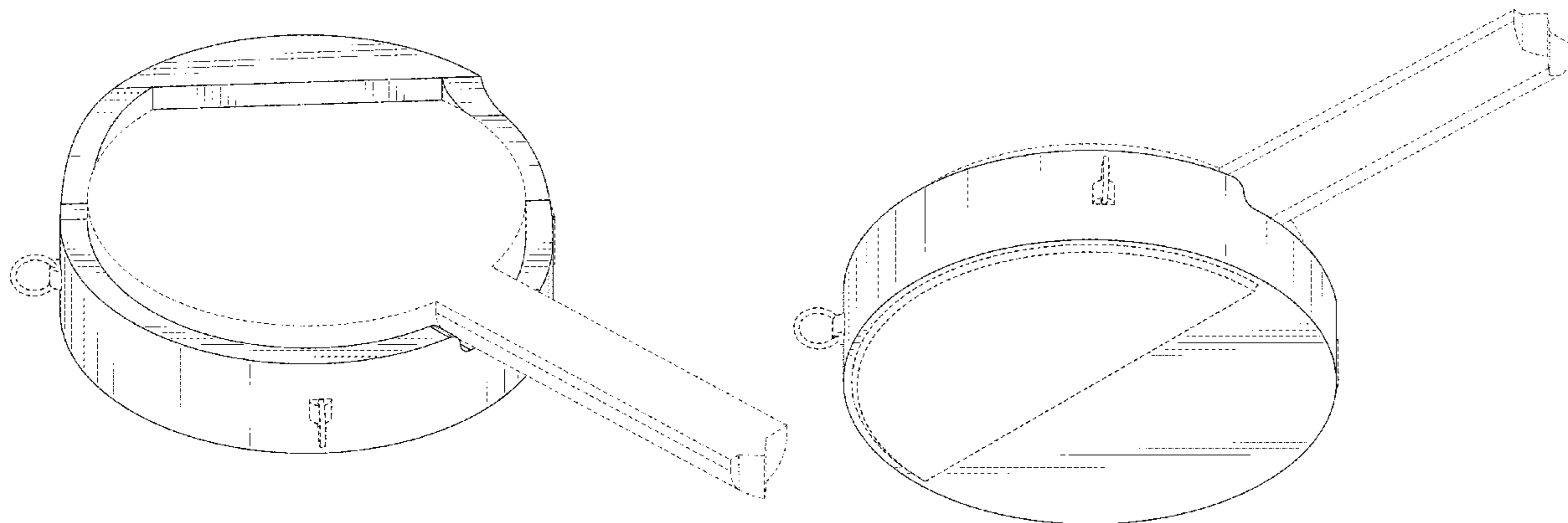
(57) **CLAIM**

The ornamental design for a banjo cushion, as shown and described.

DESCRIPTION

FIG. 1 is a front-top perspective view of a banjo cushion showing my new design;
 FIG. 2 is a front-bottom perspective view thereof;
 FIG. 3 is a rear-top perspective view thereof;
 FIG. 4 is a front elevational view thereof;
 FIG. 5 is a rear elevational view thereof;
 FIG. 6 is a left elevational view thereof;
 FIG. 7 is a right elevational view thereof;
 FIG. 8 is a top plan view thereof; and,
 FIG. 9 is a bottom plan view thereof.
 The broken lines in the drawings illustrate portions of the banjo cushion which form no part of the claimed design.

1 Claim, 9 Drawing Sheets



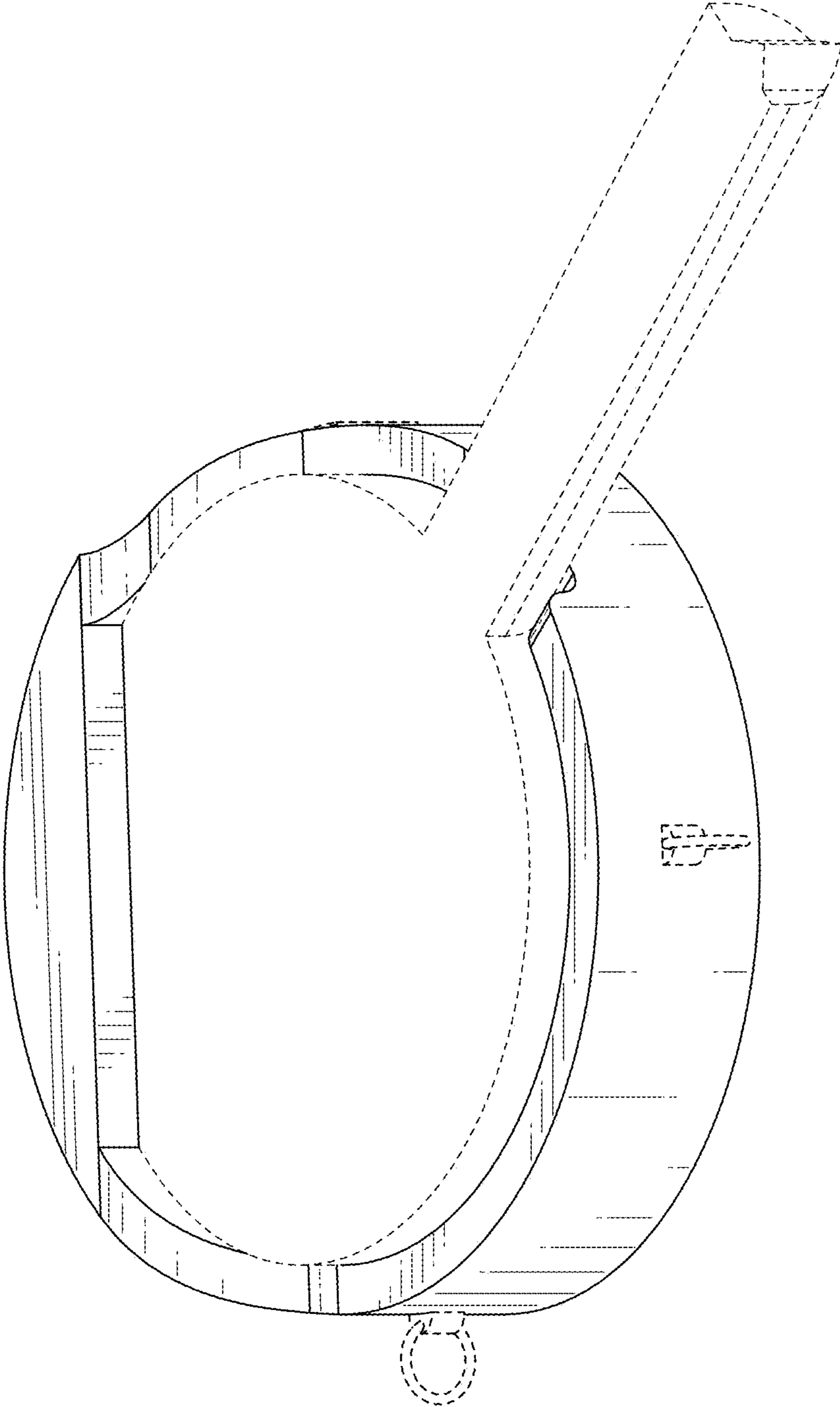


FIG. 1

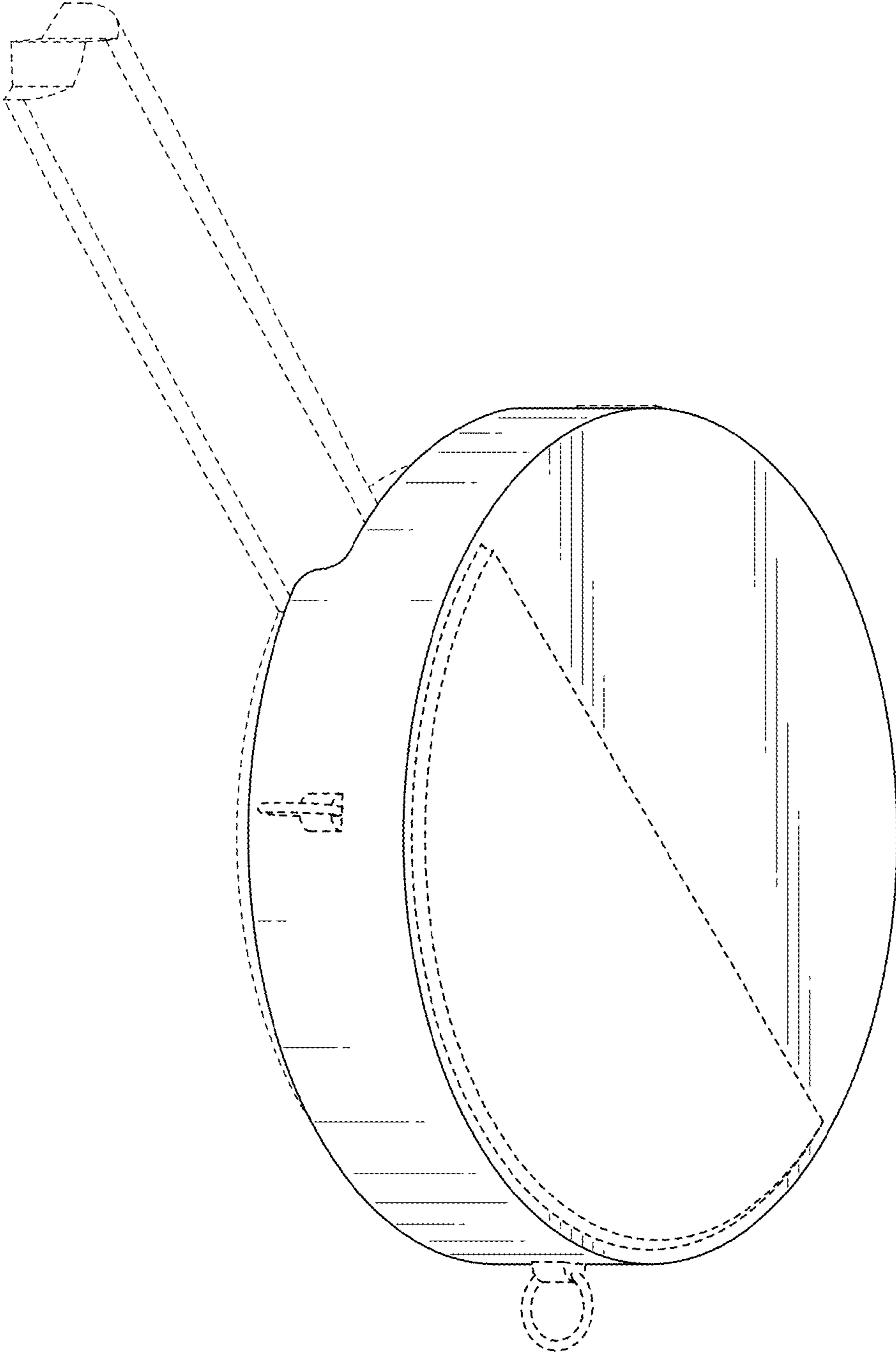


FIG. 2

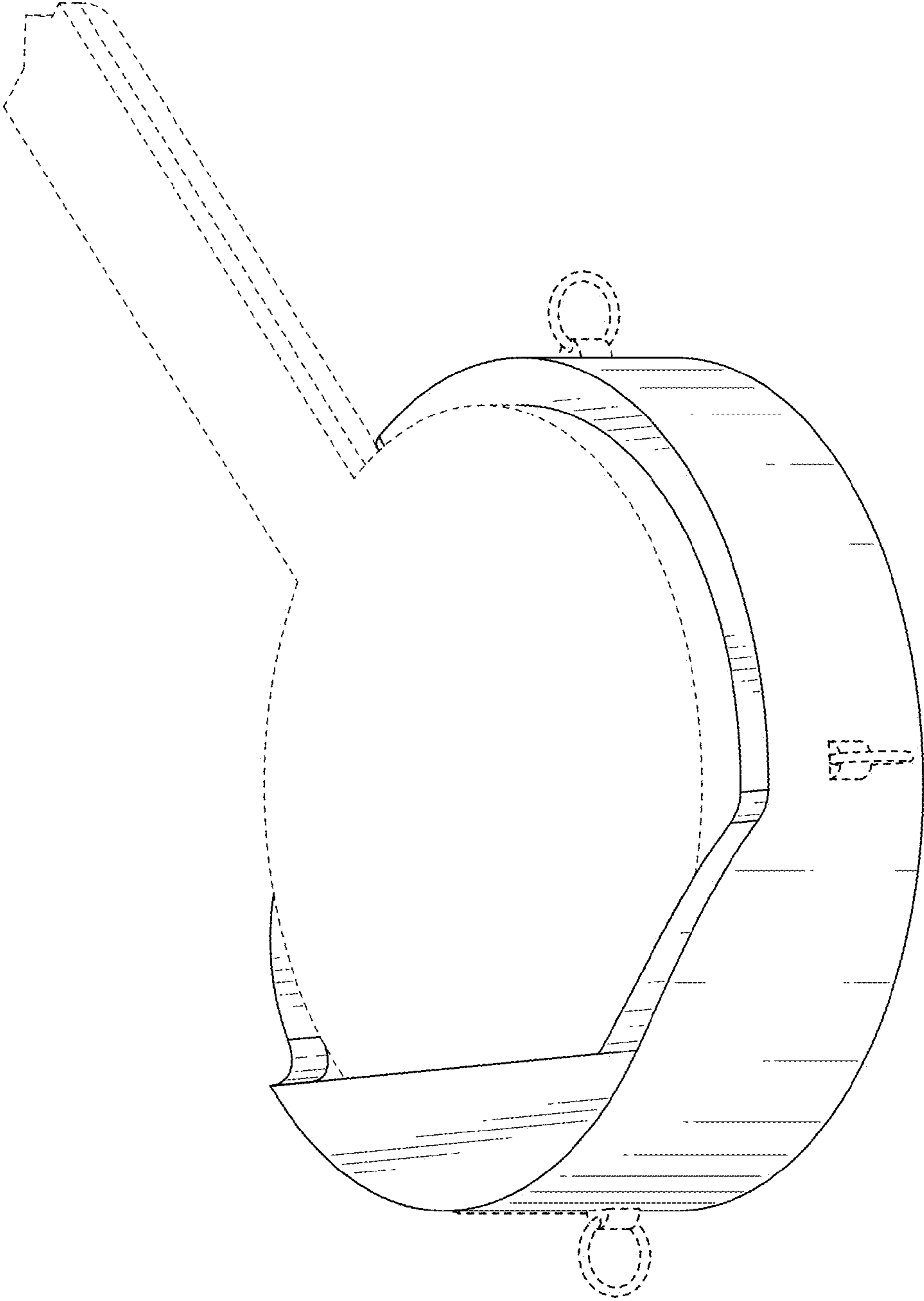


FIG. 3

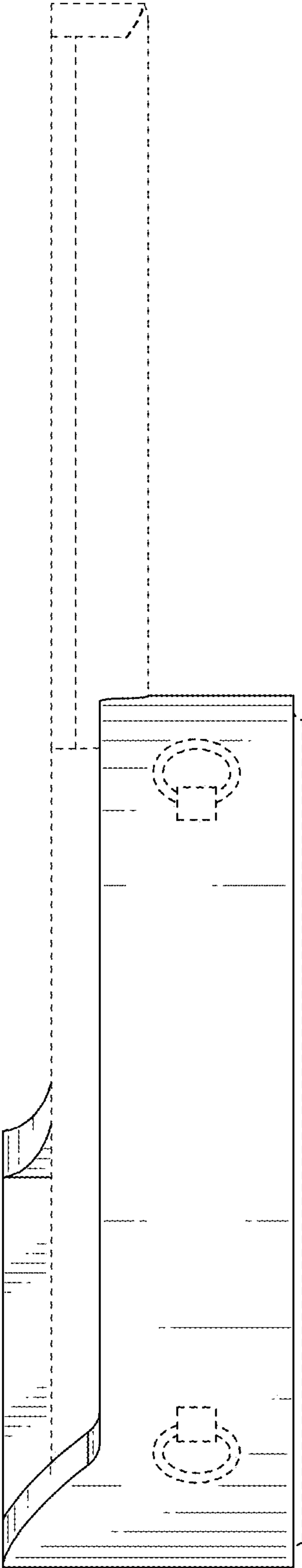


FIG. 4

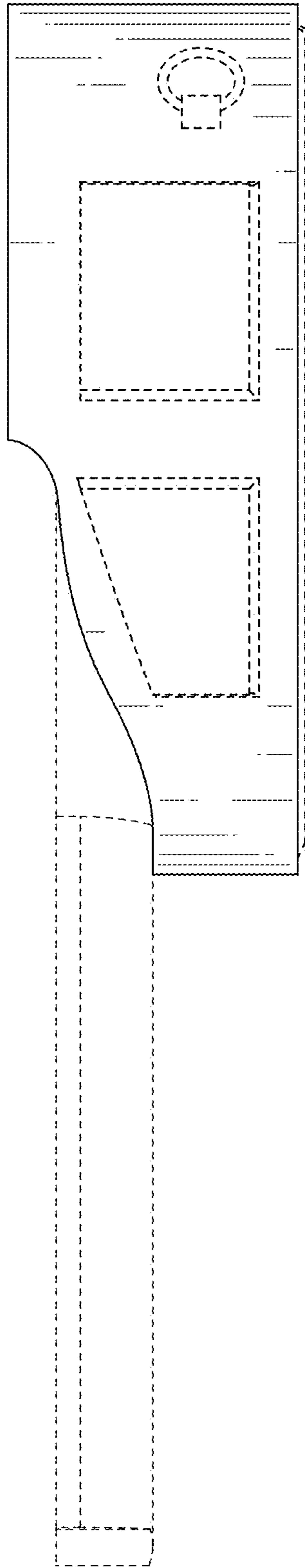


FIG. 5

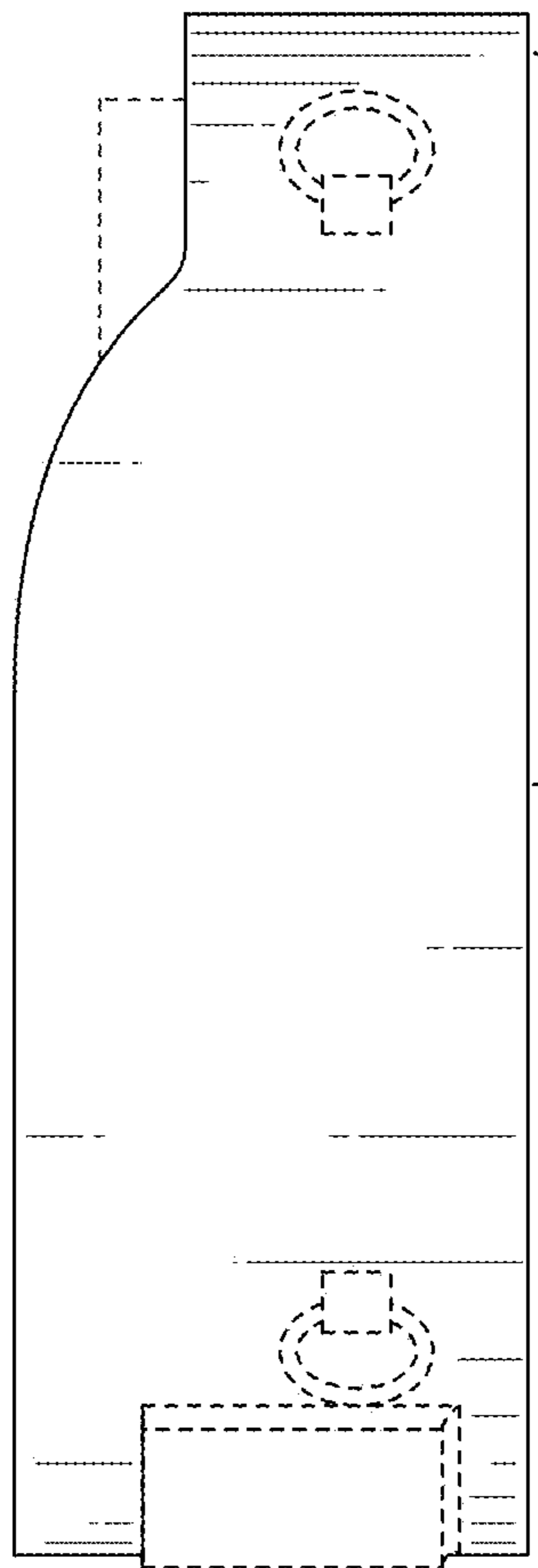


FIG. 6

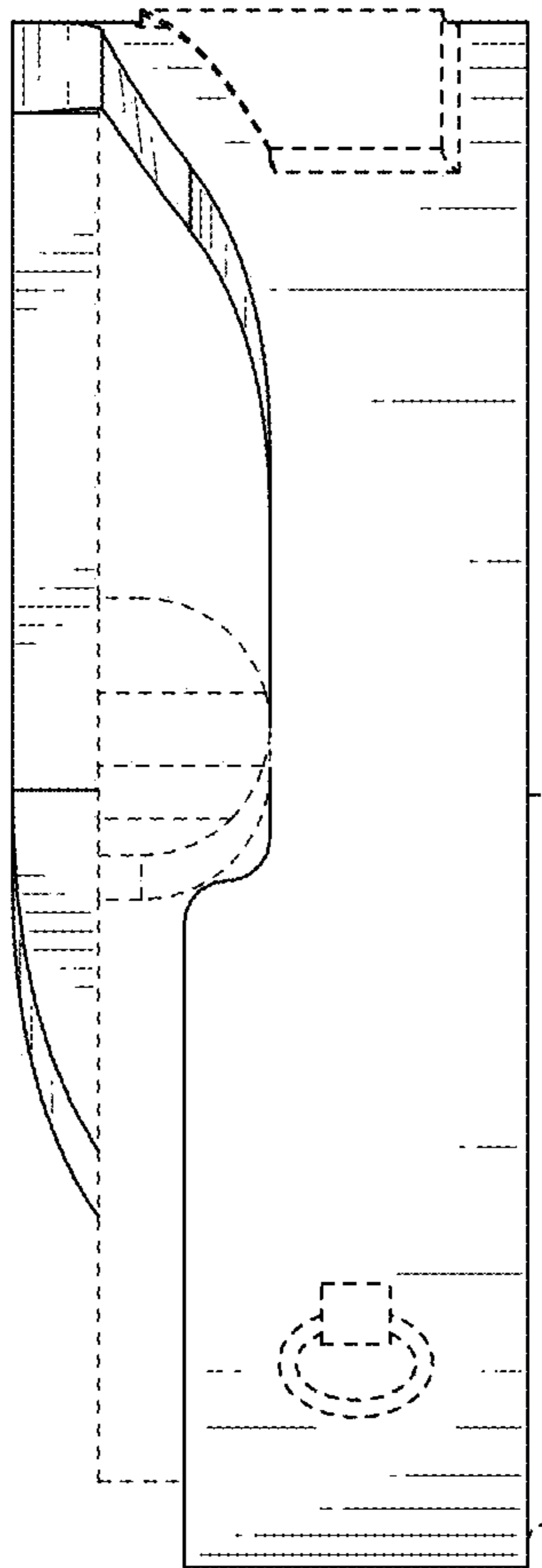


FIG. 7

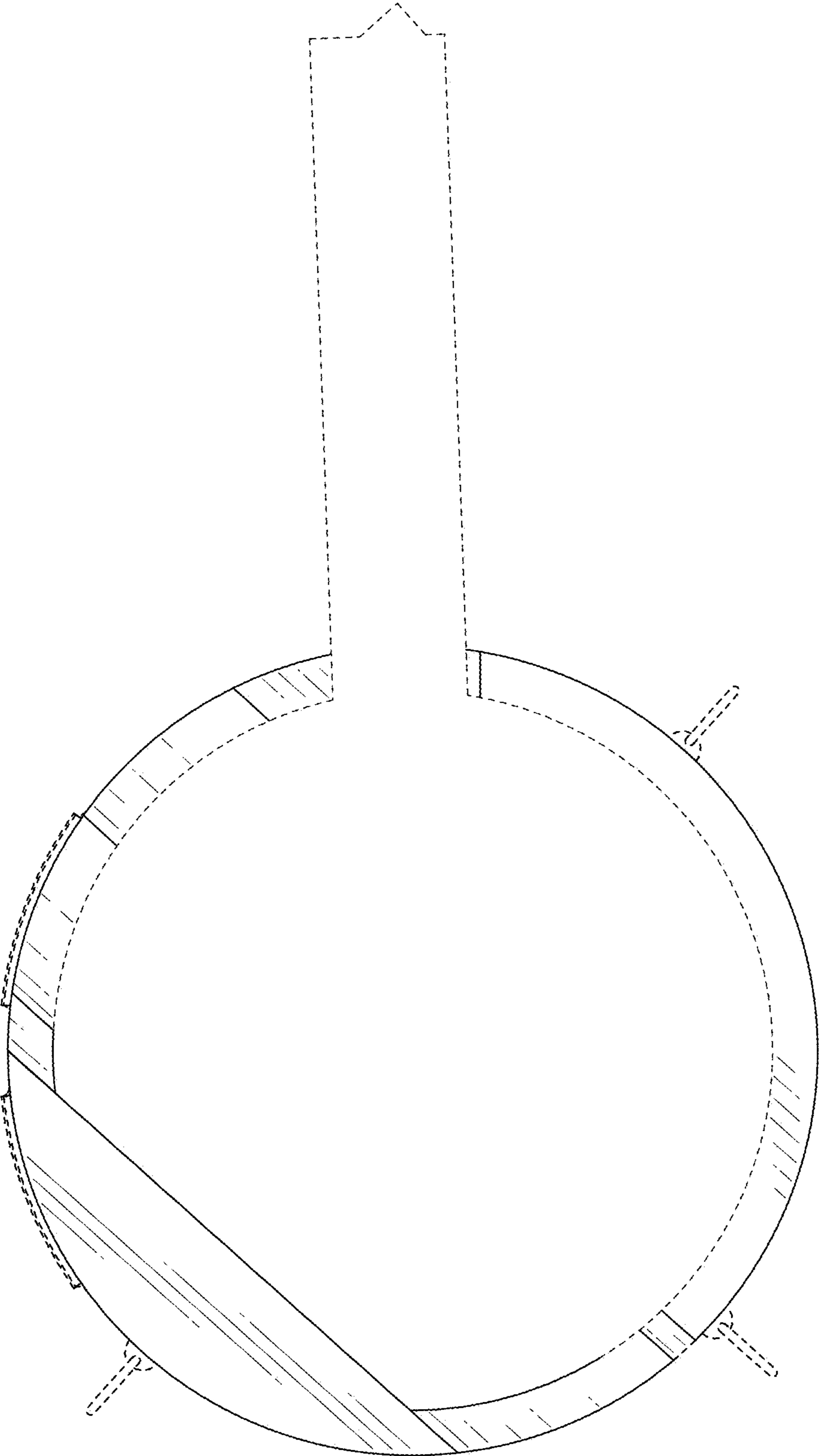


FIG. 8

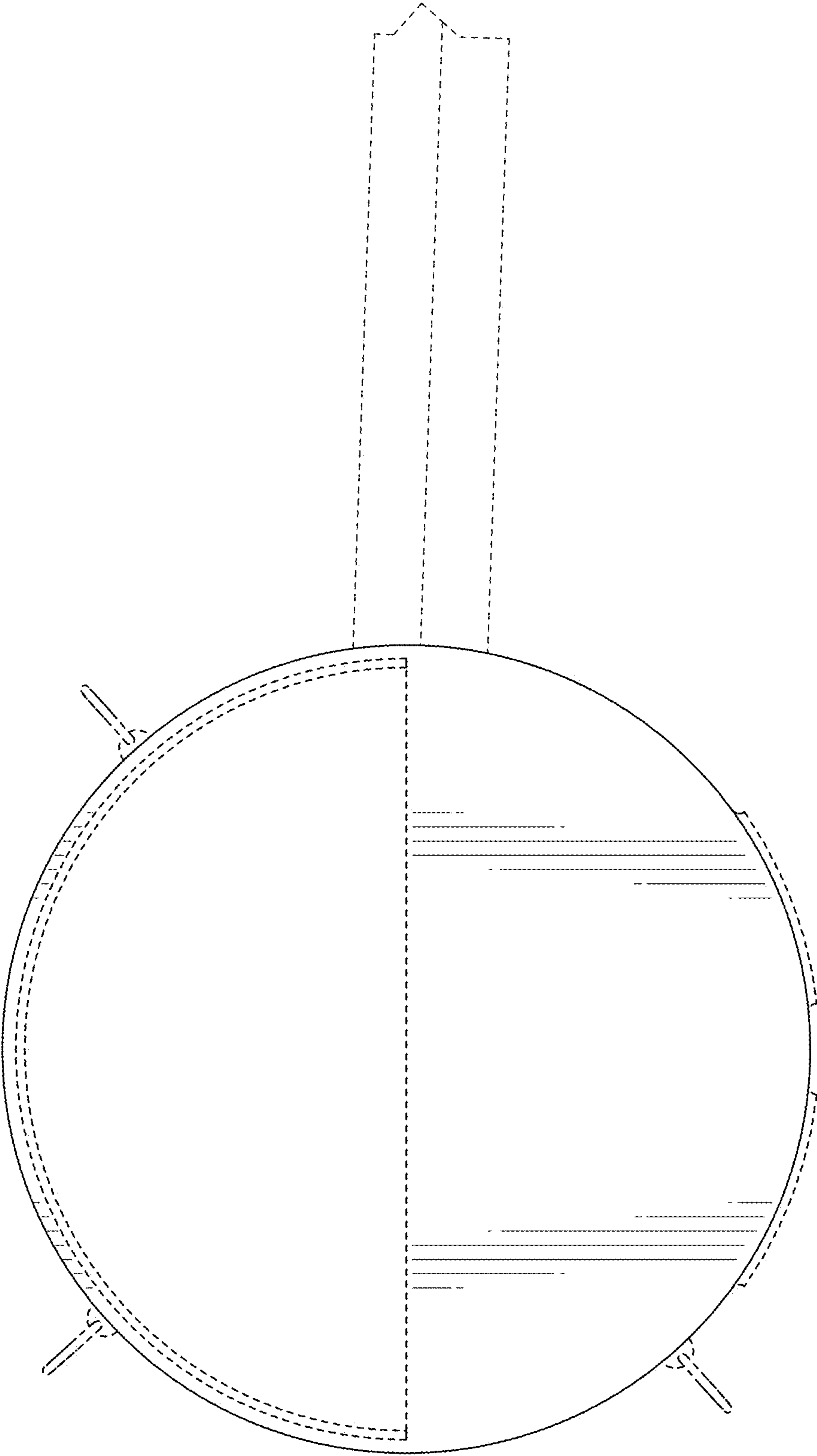


FIG. 9