



US0D1038899S

(12) **United States Design Patent** (10) **Patent No.:** **US D1,038,899 S**  
**Cason** (45) **Date of Patent:** **\*\* Aug. 13, 2024**

- (54) **SWITCH COVER**
- (71) Applicant: **North American Substation Services LLC**, Altamonte Springs, FL (US)
- (72) Inventor: **John Cason**, Altamonte Springs, FL (US)
- (73) Assignee: **North American Substation Services LLC**, Altamonte Springs, FL (US)
- (\*\*) Term: **15 Years**
- (21) Appl. No.: **29/817,966**
- (22) Filed: **Dec. 6, 2021**

**Related U.S. Application Data**

- (62) Division of application No. 29/709,160, filed on Oct. 11, 2019, now Pat. No. Des. 994,623.
- (51) **LOC (14) Cl.** ..... **13-03**
- (52) **U.S. Cl.**  
USPC ..... **D13/177**
- (58) **Field of Classification Search**  
USPC ..... D13/173, 177, 199  
CPC ..... H01H 9/0207; H01H 9/0264; H01H 9/06;  
H01H 9/20; H01H 9/22; H01H 2223/044;  
H01H 1/0015; H01H 85/25; H01R 13/44;  
H01R 13/447; H01R 13/5213; H01R  
13/701  
See application file for complete search history.

(56) **References Cited**

**U.S. PATENT DOCUMENTS**

3,527,914 A	9/1970	Spacek	
4,363,944 A	12/1982	Poirier	
D277,848 S *	3/1985	Koppensteiner	D13/177
D311,902 S *	11/1990	Scherer	D13/160
D410,437 S	6/1999	Mowery	
D428,602 S	7/2000	Taylor	
D432,503 S	10/2000	Taylor	

D476,628 S	7/2003	Millar	
6,627,816 B1	9/2003	Walker et al.	
6,677,525 B1	1/2004	Walker	
D507,546 S	7/2005	Fairfull	
7,271,357 B2 *	9/2007	Ostmeier	H01R 13/71 200/51.09
D555,606 S *	11/2007	Pape	D13/173
D570,787 S	6/2008	Kinnard	
7,728,226 B2	6/2010	Drane	
8,007,312 B2 *	8/2011	Bower	H01R 13/514 439/540.1
8,053,671 B1	11/2011	Shotey	
8,400,161 B2	3/2013	Belhumeur et al.	

(Continued)

**OTHER PUBLICATIONS**

ABB, Descriptive Bulletin: FT Flexitest Switch, There is no Equivalent, revised Apr. 2023, 4 pgs.\*  
mmcsafetysolutions.com (accessed Apr. 17, 2019).

*Primary Examiner* — Selina Sikder

(74) *Attorney, Agent, or Firm* — Blank Rome LLP

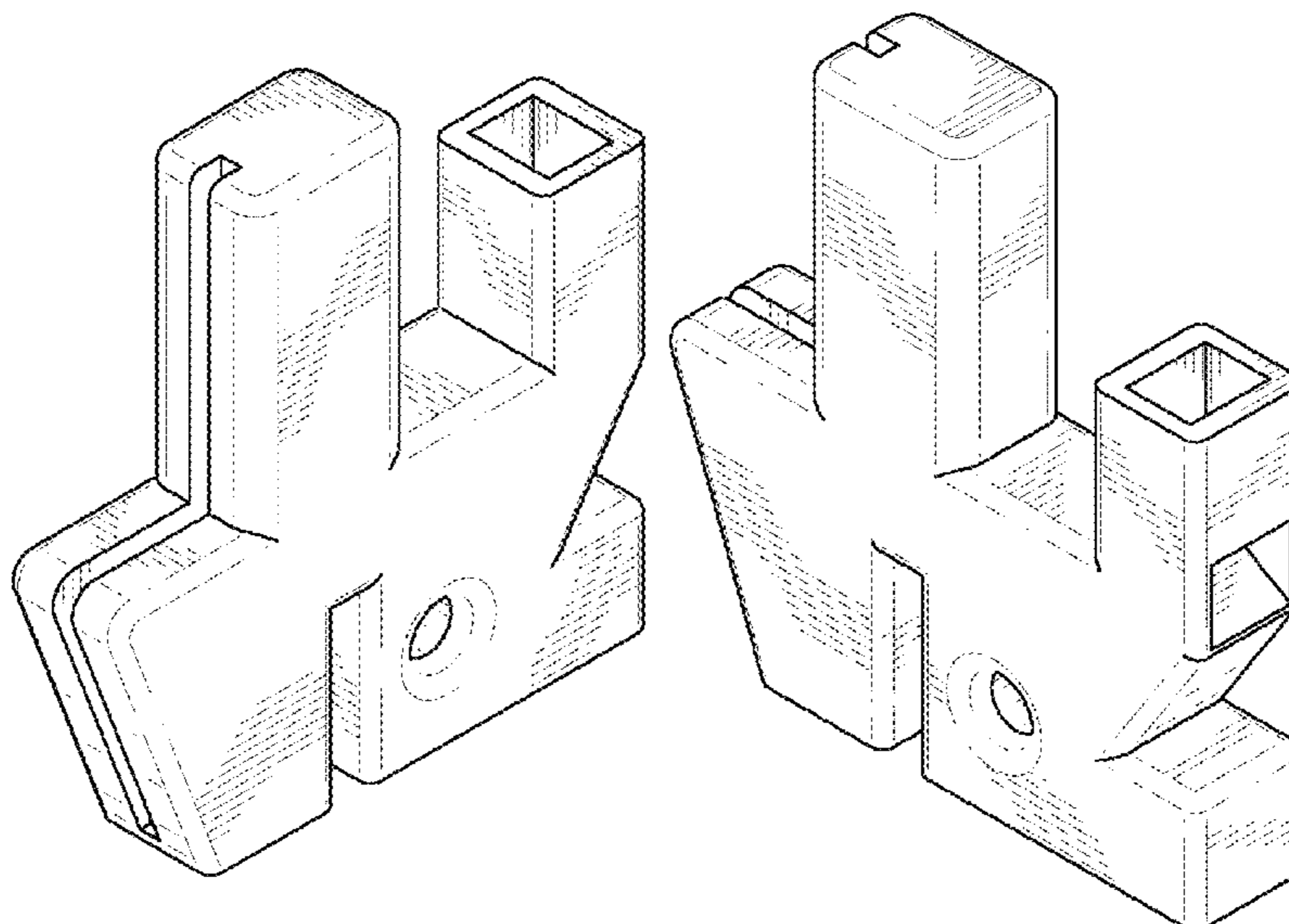
(57) **CLAIM**

The ornamental design for a switch cover, as shown and described.

**DESCRIPTION**

FIG. 1 is a front view of the switch cover showing my new design;  
FIG. 2 is a left-side view thereof;  
FIG. 3 is a right-side view thereof;  
FIG. 4 is a top view thereof;  
FIG. 5 is a bottom view thereof;  
FIG. 6 is a top, right-side, and front perspective view thereof; and,  
FIG. 7 is a top, left-side, and front perspective view thereof.  
The rear view of the switch cover is a mirror image of the front view thereof.

**1 Claim, 3 Drawing Sheets**



(56)

**References Cited**

U.S. PATENT DOCUMENTS

8,604,366	B2 *	12/2013	Bower .....	H01H 71/0271 200/5 B
9,110,102	B2 *	8/2015	Kesler .....	G01R 1/206
D796,455	S	9/2017	Eberts	
D800,673	S	10/2017	Lacey	
9,916,939	B1	3/2018	Rout et al.	
10,020,132	B1	7/2018	Cortes Rico	
10,262,815	B2	4/2019	Yuan	
D866,489	S	11/2019	Ross	
10,483,053	B2 *	11/2019	Mendoza .....	H01H 71/0264
10,808,426	B2	10/2020	deLoache, III	
10,847,921	B2 *	11/2020	Mendoza .....	G01R 1/0416
D994,623	S *	8/2023	Cason .....	D13/177
2007/0062735	A1	3/2007	Craig	
2013/0120090	A1 *	5/2013	Ball .....	H01H 83/04 335/1
2015/0043194	A1	2/2015	Busby	
2018/0012260	A1	1/2018	Bazo	
2018/0033566	A1 *	2/2018	Mendoza .....	H01H 1/42
2020/0412115	A1	12/2020	Korcz	
2021/0012980	A1	1/2021	Nieh	
2021/0110982	A1	4/2021	Lind	
2021/0210940	A1	7/2021	Shentu	

\* cited by examiner

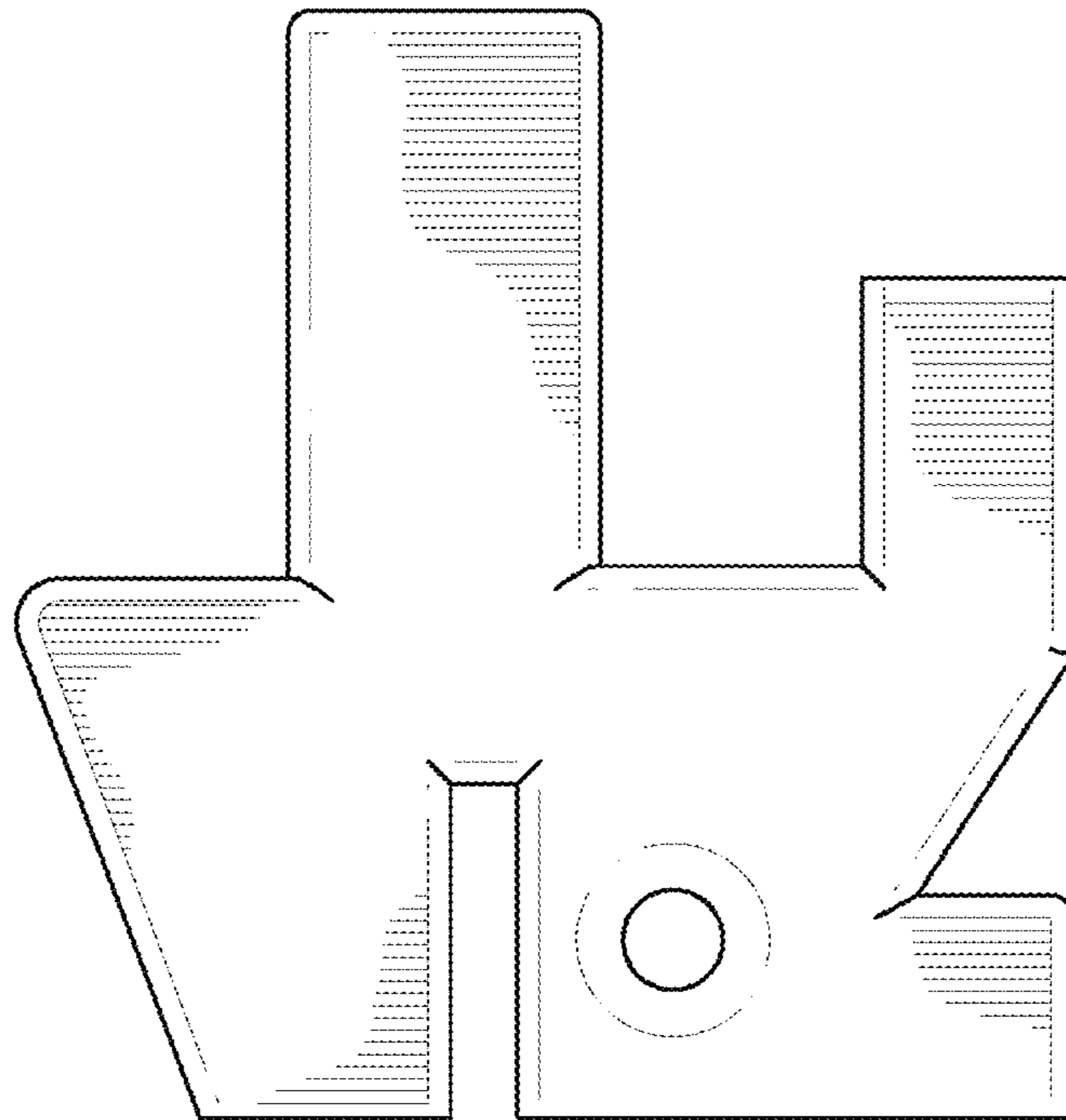


FIG. 1

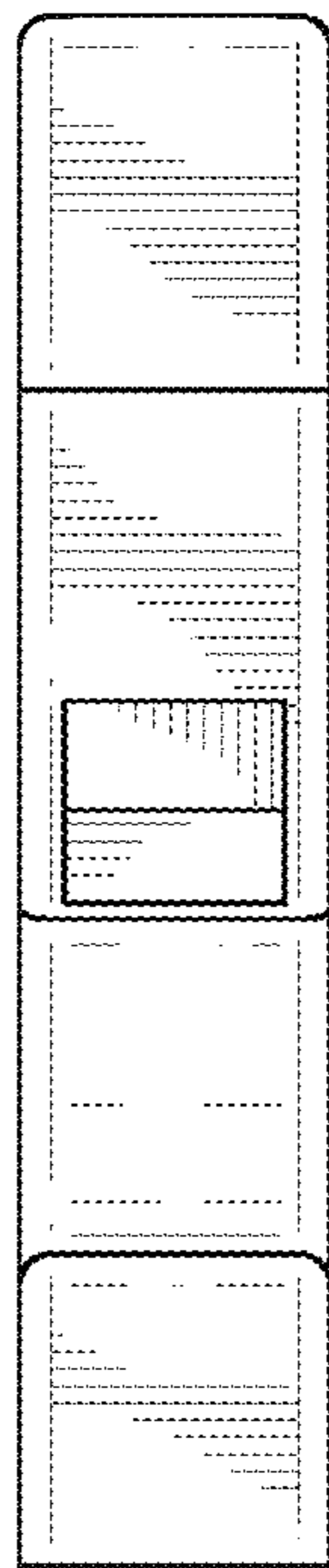


FIG. 2

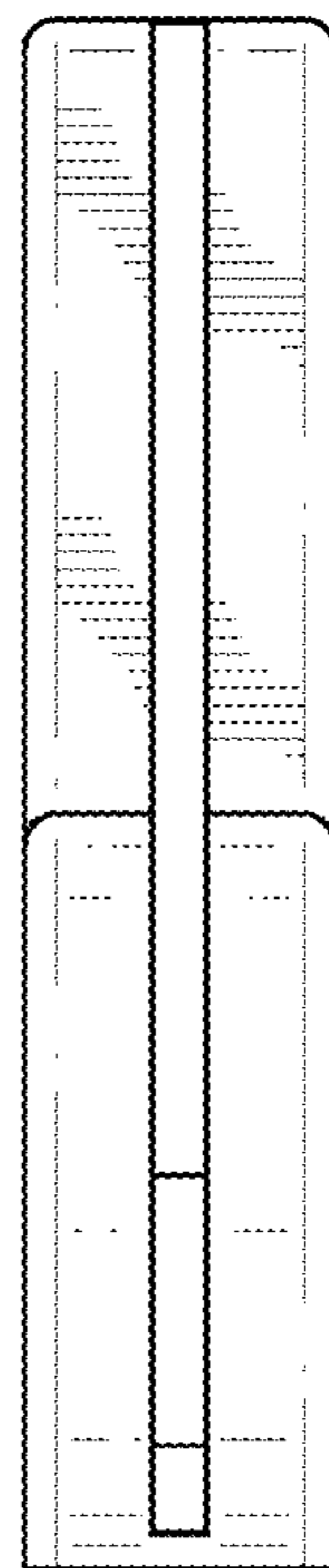
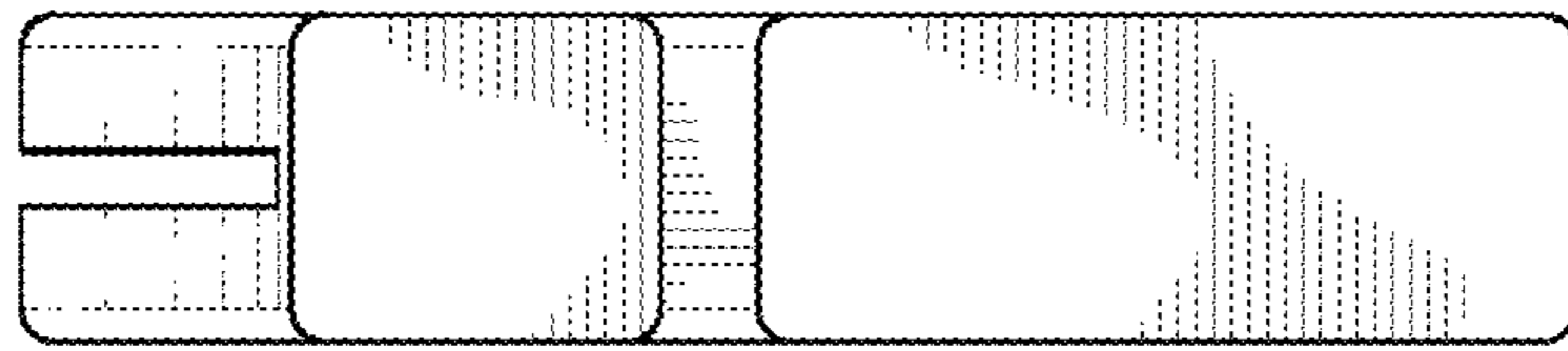
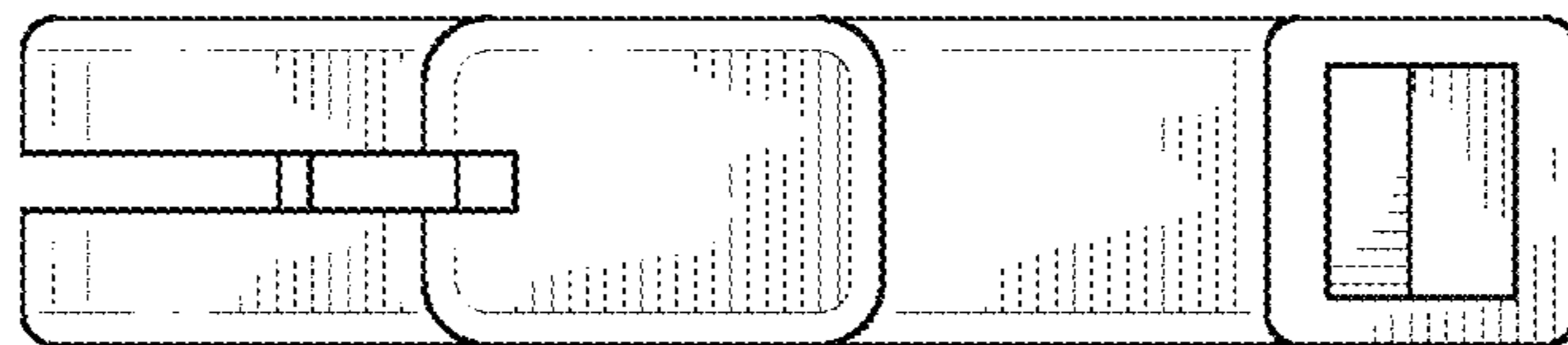


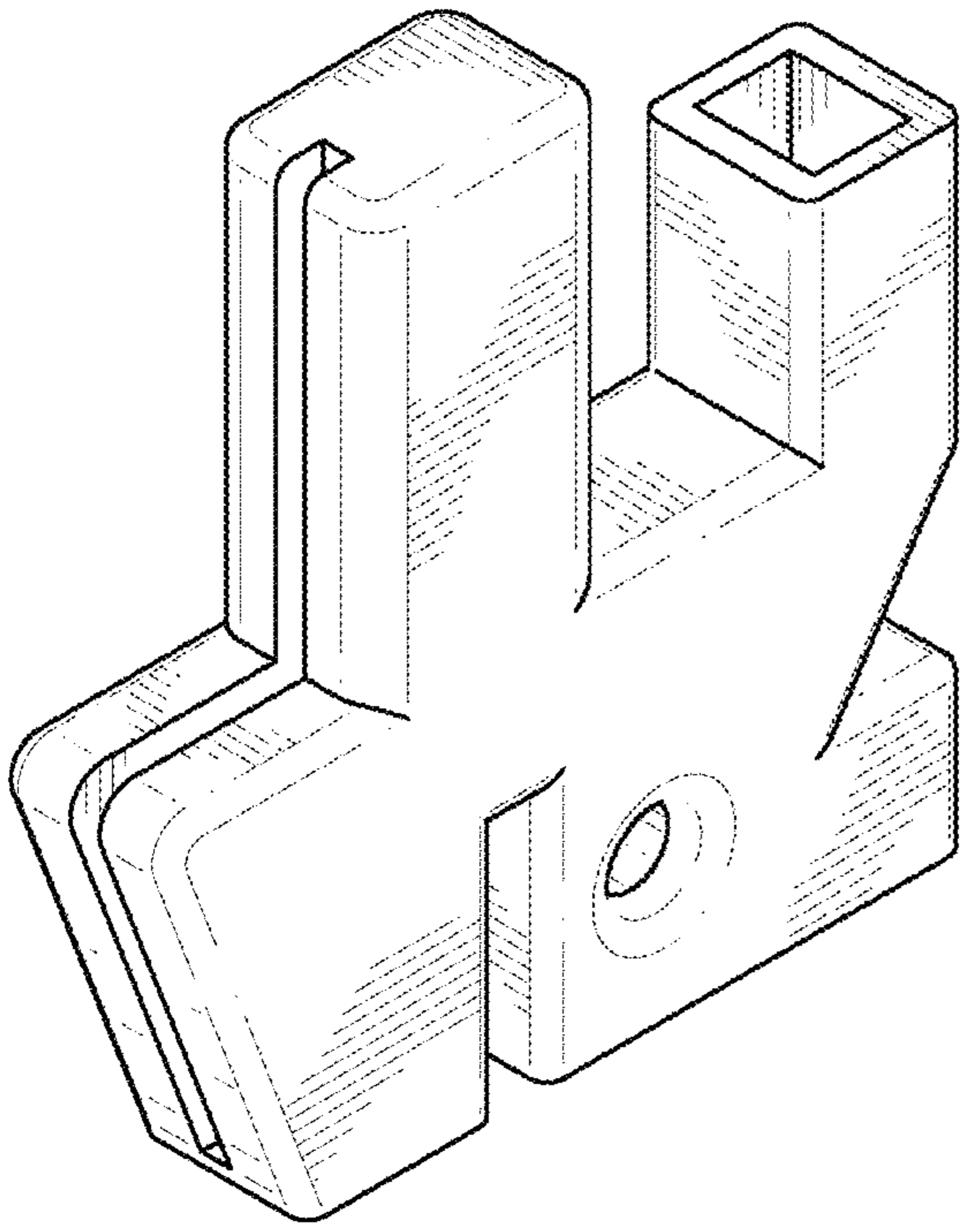
FIG. 3



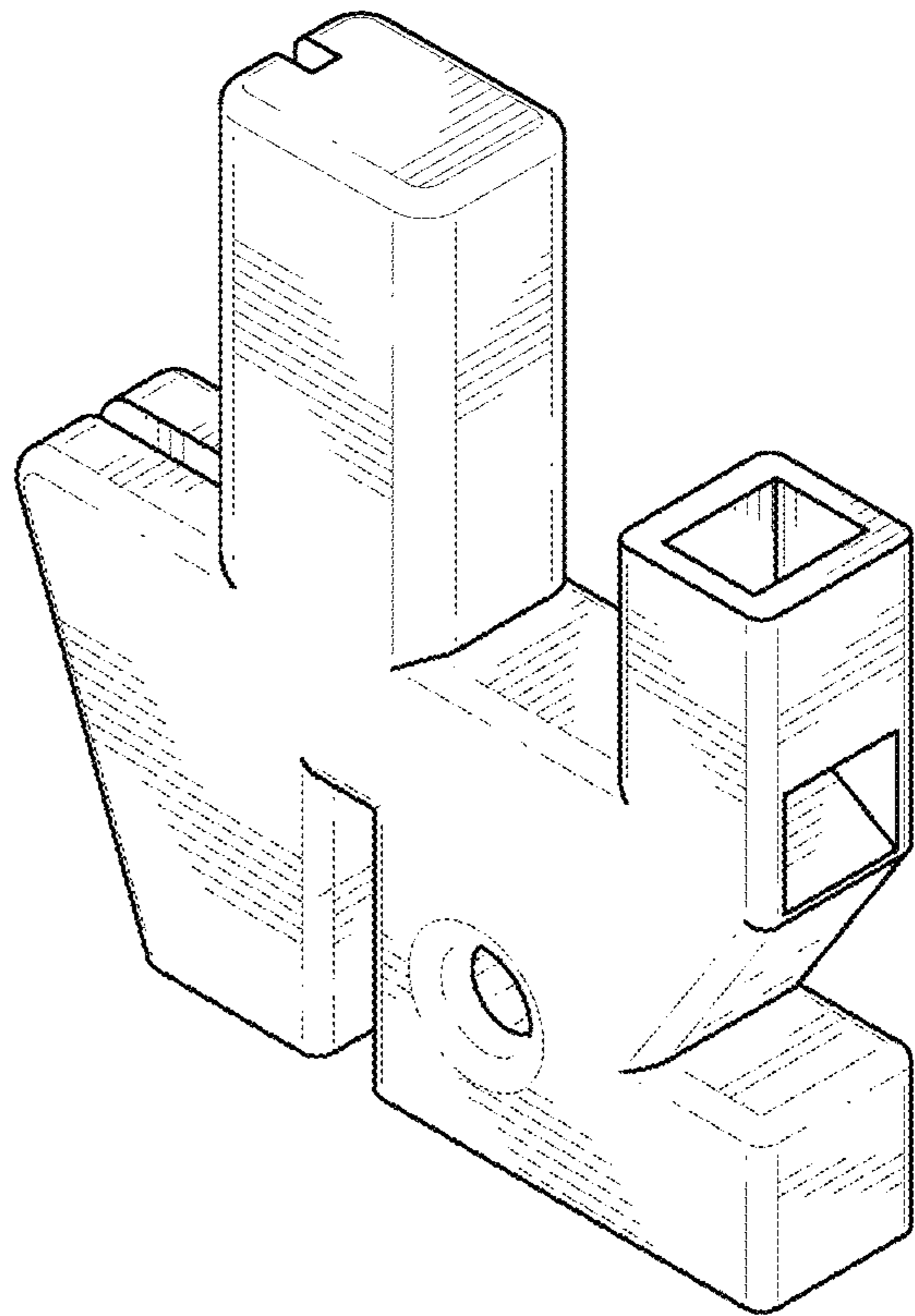
**FIG. 4**



**FIG. 5**



**FIG. 6**



**FIG. 7**