



US0D1038820S

(12) **United States Design Patent** (10) **Patent No.:** **US D1,038,820 S**
Chen (45) **Date of Patent:** **** Aug. 13, 2024**

(54) **WATCH STRAP CONNECTOR**
(71) Applicant: **Zhimin Chen**, Gaozhou (CN)
(72) Inventor: **Zhimin Chen**, Gaozhou (CN)
(**) Term: **15 Years**
(21) Appl. No.: **29/935,612**
(22) Filed: **Apr. 2, 2024**
(51) **LOC (14) Cl.** **11-01**
(52) **U.S. Cl.**
USPC **D11/94**
(58) **Field of Classification Search**
USPC D10/32, 31, 38, 128, 39, 30; D11/94,
D11/200, 3, 86, 87; D14/344, 203.5
CPC .. A44C 5/00; A44C 5/14; A44C 5/147; A44C
5/16; A44C 5/2052; A44C 5/2066; A44C
5/2071; A44C 5/2085; A44C 5/22; A44C
5/243; A44C 5/246; A44C 5/2047; A44C
11/00; G04G 21/08; G04G 21/00; G04G
17/08; G04G 17/00; G04G 17/0091;
G04B 37/00; G04B 37/005; G04B 37/10;
G04B 37/0008; G04B 37/1486; G04B
37/16; Y10T 24/45534; Y10T 24/45545;
A45F 2005/008

See application file for complete search history.

(56) **References Cited**

U.S. PATENT DOCUMENTS

D742,780 S * 11/2015 Barnes D11/87
D759,523 S * 6/2016 Ling D10/128
D800,593 S * 10/2017 Ling D10/128
D826,745 S * 8/2018 Liu D11/86
D869,982 S * 12/2019 Paschke D11/94
D882,454 S * 4/2020 Chen D11/87
D900,808 S * 11/2020 Vandebussche D14/344
D906,870 S * 1/2021 Devaney D11/94
D907,524 S * 1/2021 Devaney D11/94
D980,111 S * 3/2023 Bi D11/94
D981,902 S 3/2023 Li

D1,005,872 S * 11/2023 Zhang D11/94
D1,006,668 S * 12/2023 Hu D11/94
D1,014,310 S * 2/2024 Yu D11/94
(Continued)

FOREIGN PATENT DOCUMENTS

CN 308111054 * 7/2023
CN 30831199 * 12/2023
(Continued)

OTHER PUBLICATIONS

Metal Watch Band Connector for Google Pixel Watch, Globalsources.com, No date available, [site visited Jun. 12, 2024], Available from URL: <https://www.globalsources.com/Watch-band/Watch-Band-Connector-1206129909p.htm> (Year: NA).*
(Continued)

Primary Examiner — Brett Miller
Assistant Examiner — Mary Anne Arntzen

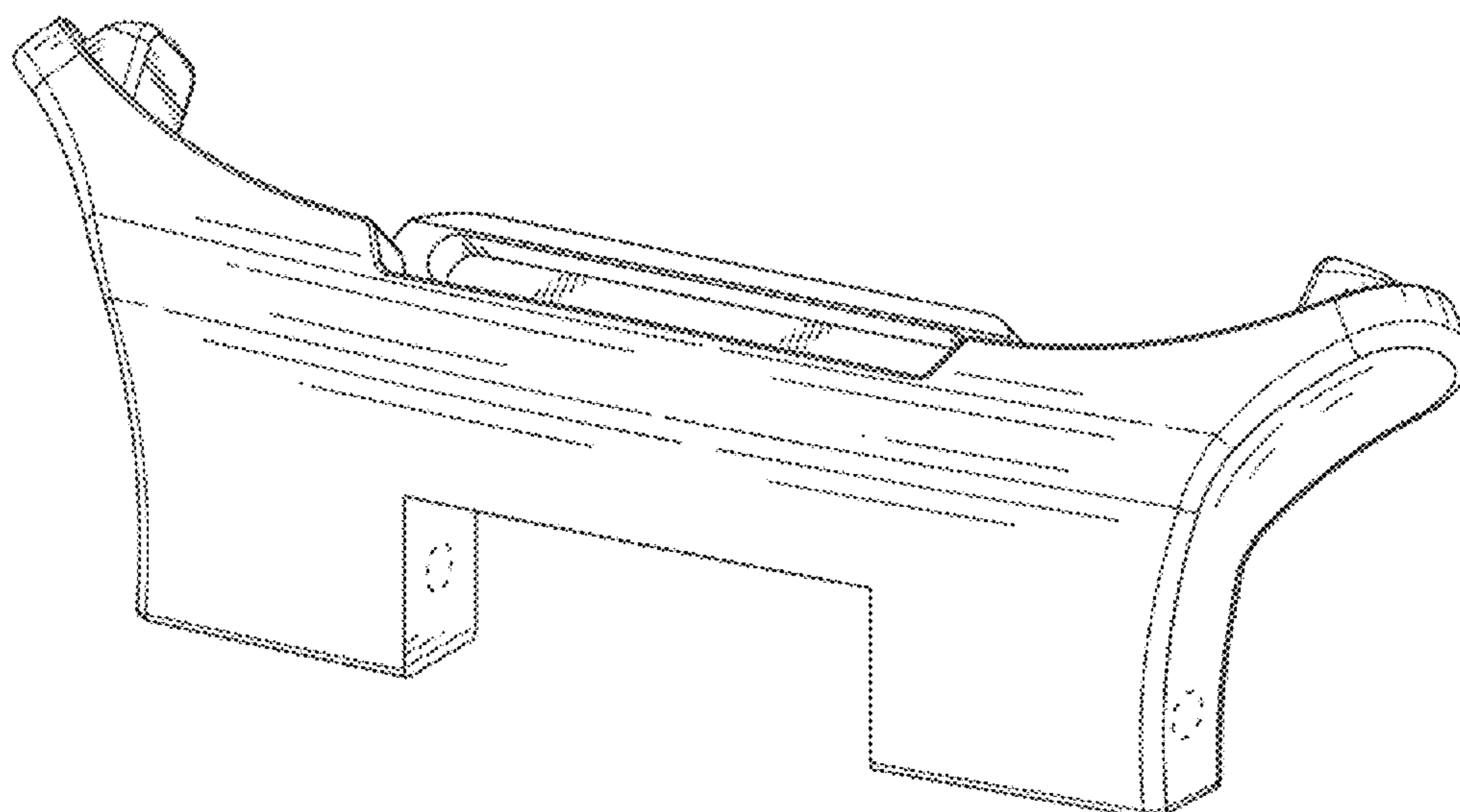
(57) **CLAIM**

The ornamental design for a watch strap connector, as shown and described.

DESCRIPTION

FIG. 1 is a front, right and top perspective view of a watch strap connector showing my new design;
FIG. 2 is a rear, left and bottom perspective view thereof;
FIG. 3 is a front view thereof;
FIG. 4 is a rear view thereof;
FIG. 5 is a left side view thereof;
FIG. 6 is a right side view thereof;
FIG. 7 is a top plan view thereof; and,
FIG. 8 is a bottom plan view thereof.
The broken lines in the figures illustrate portions of the watch strap connector that form no part of the claimed design.

1 Claim, 8 Drawing Sheets



(56)

References Cited

U.S. PATENT DOCUMENTS

D1,026,705 S * 5/2024 Reimann D11/94
2021/0085041 A1 * 3/2021 Schlichtig G04B 37/22

FOREIGN PATENT DOCUMENTS

CN 308489483 * 2/2024
CN 308545564 * 3/2024

OTHER PUBLICATIONS

Ben Schoon, Pixel Watch Bands, Metal Watch Band, Posted date: Mar. 22, 2023, [site visited Jun. 12, 2024], Available from URL: <https://9to5google.com/2023/03/22/google-pixel-watch-bands-revisit/> (Year: 2023).*

Metal Band Compatible with Google Pixel Watch, Amazon.com, Date first available: Dec. 12, 2023, [site visited: Jun. 12, 2024], Available from URL: <https://a.co/d/2XNkHv3> (Year: 2023).*

Miimall Metal Strap, Amazon.com, Date first available: Oct. 13, 2022, [site visited: Jun. 12, 2022], Available from URL: <https://amzn.eu/d/5F2Tjp3> (Year: 2022).*

* cited by examiner

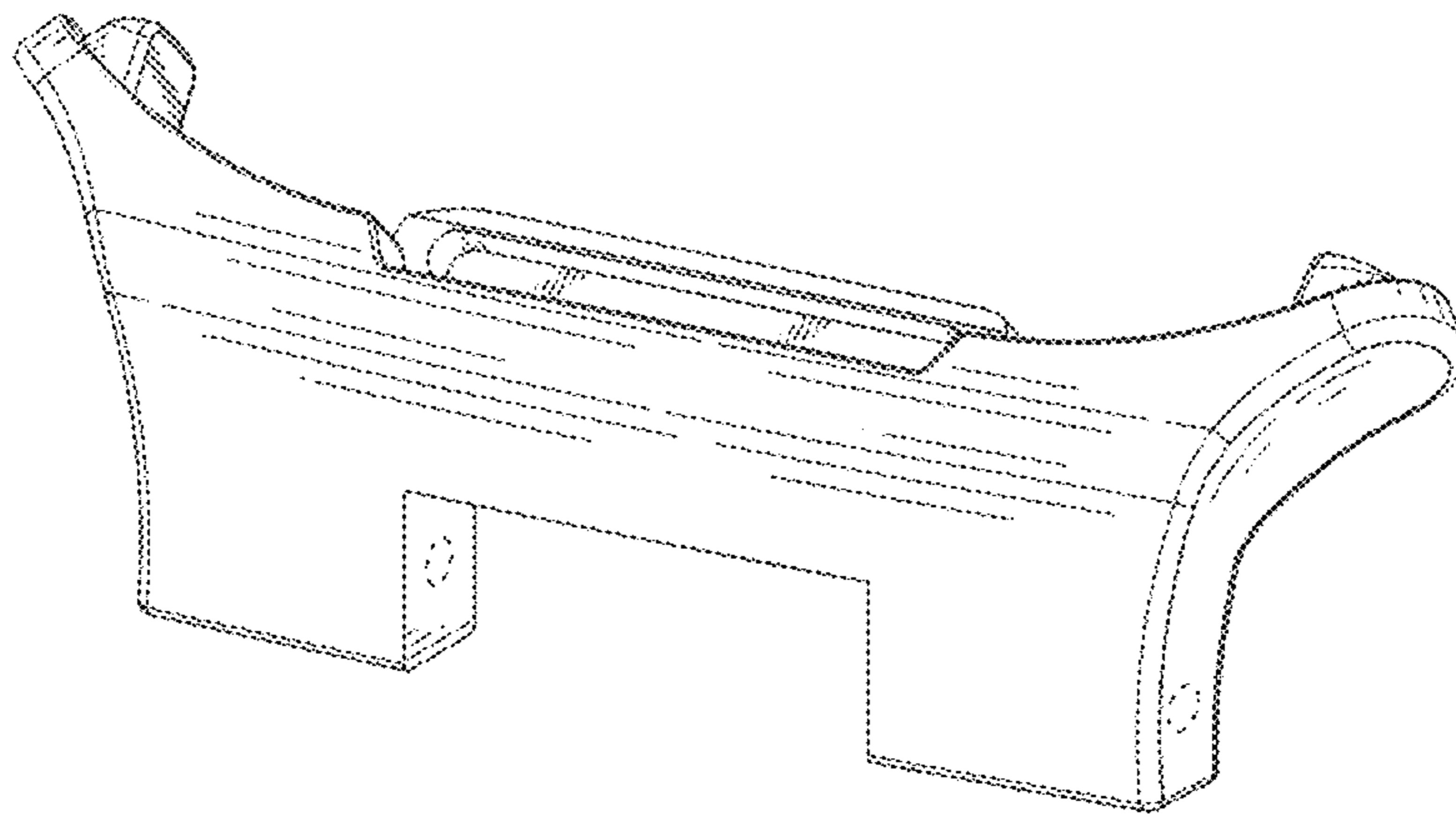


FIG. 1

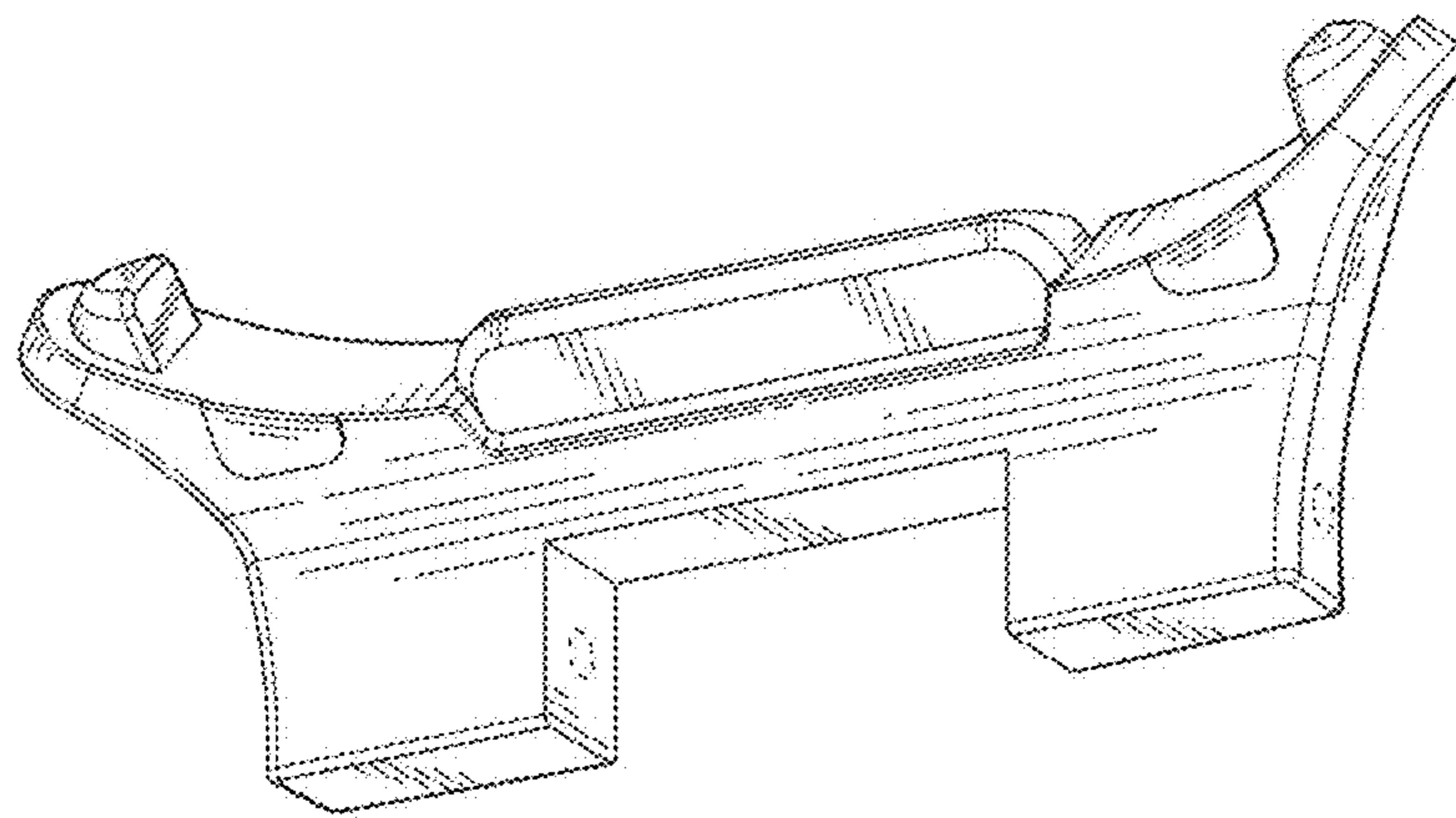


FIG. 2

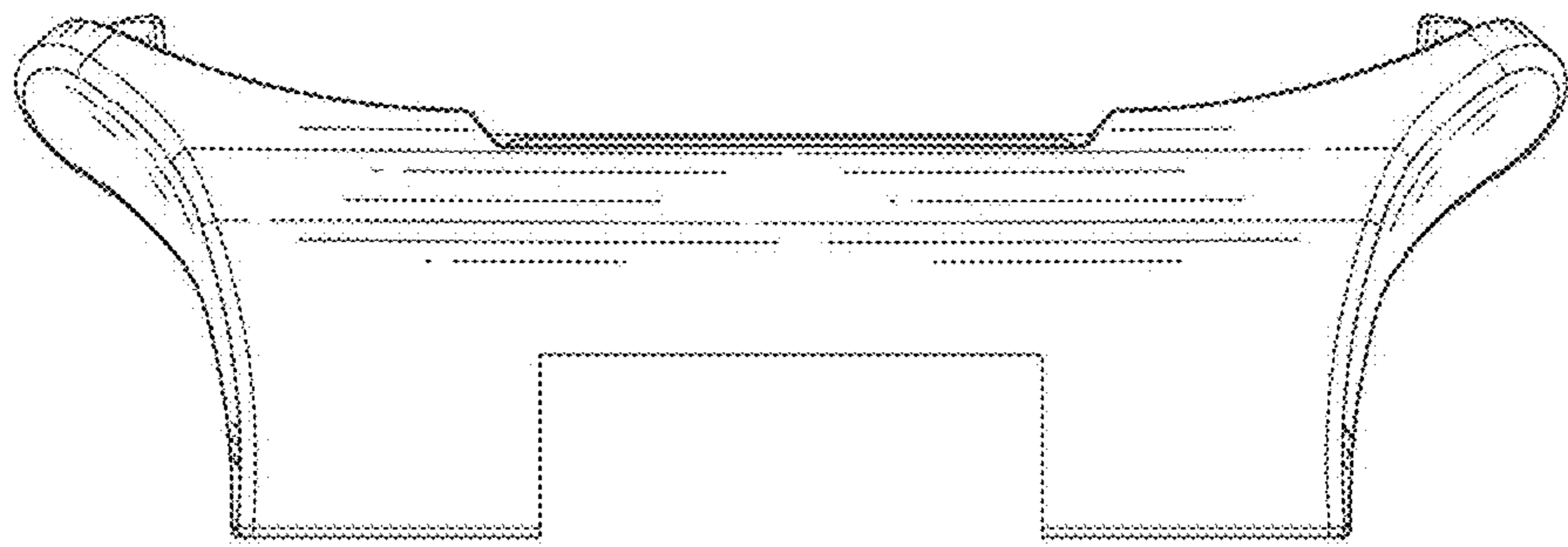


FIG. 3

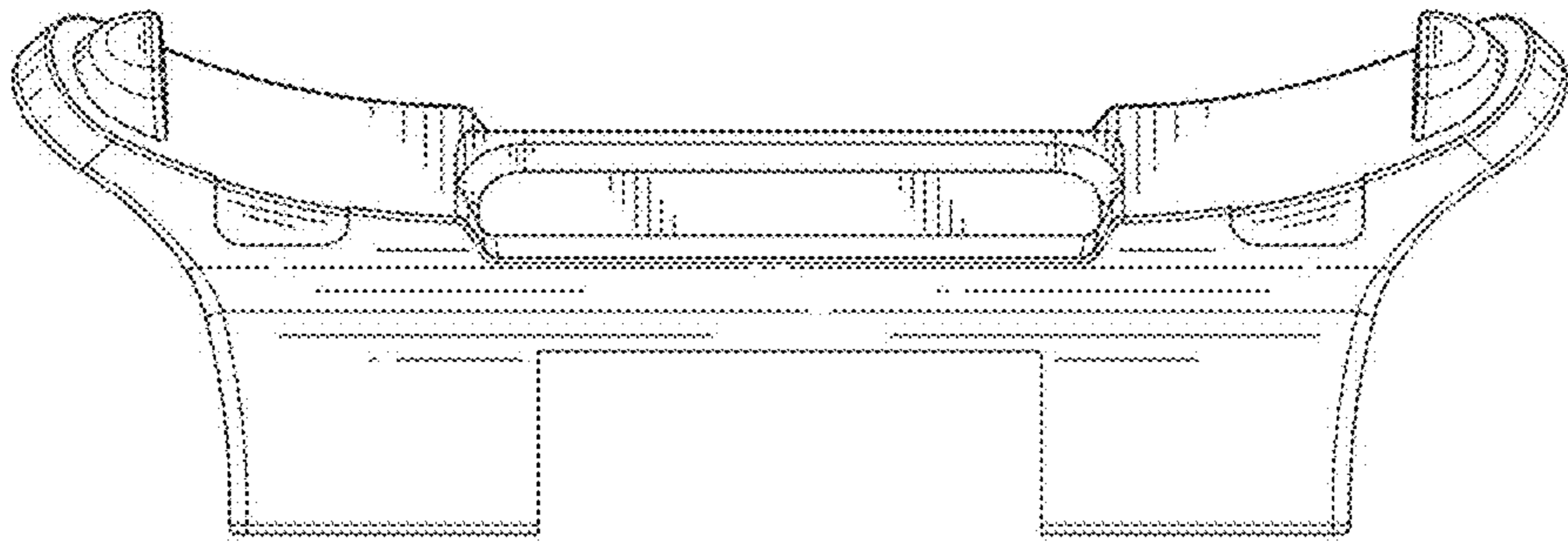


FIG. 4

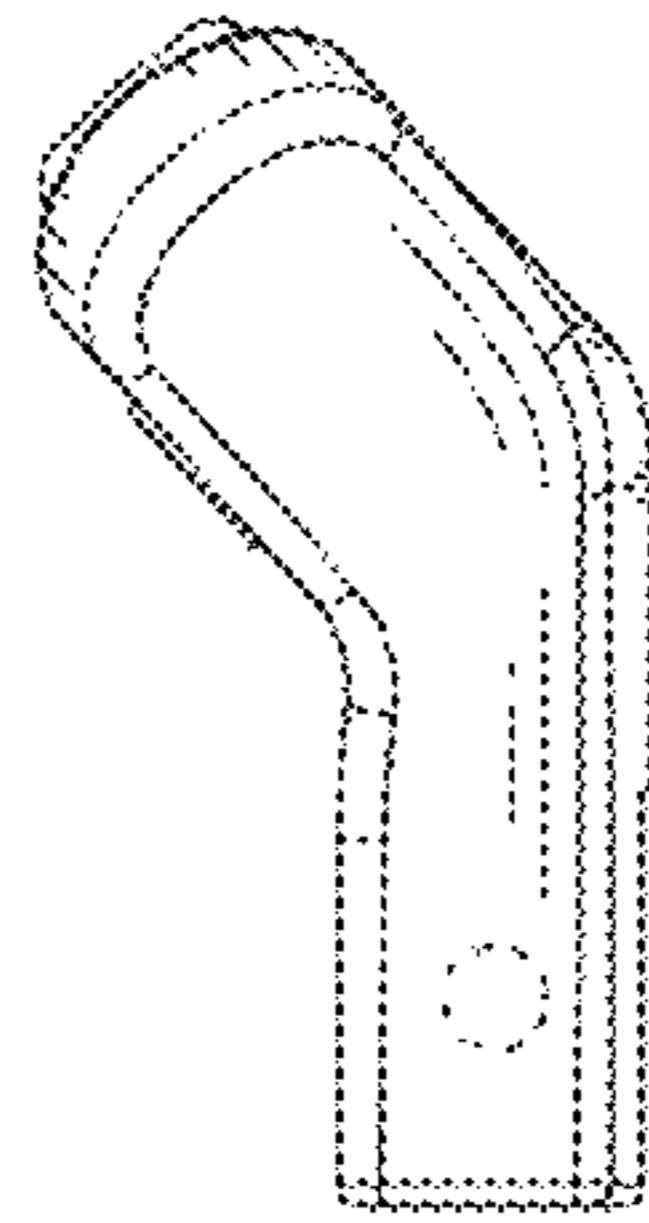


FIG. 5

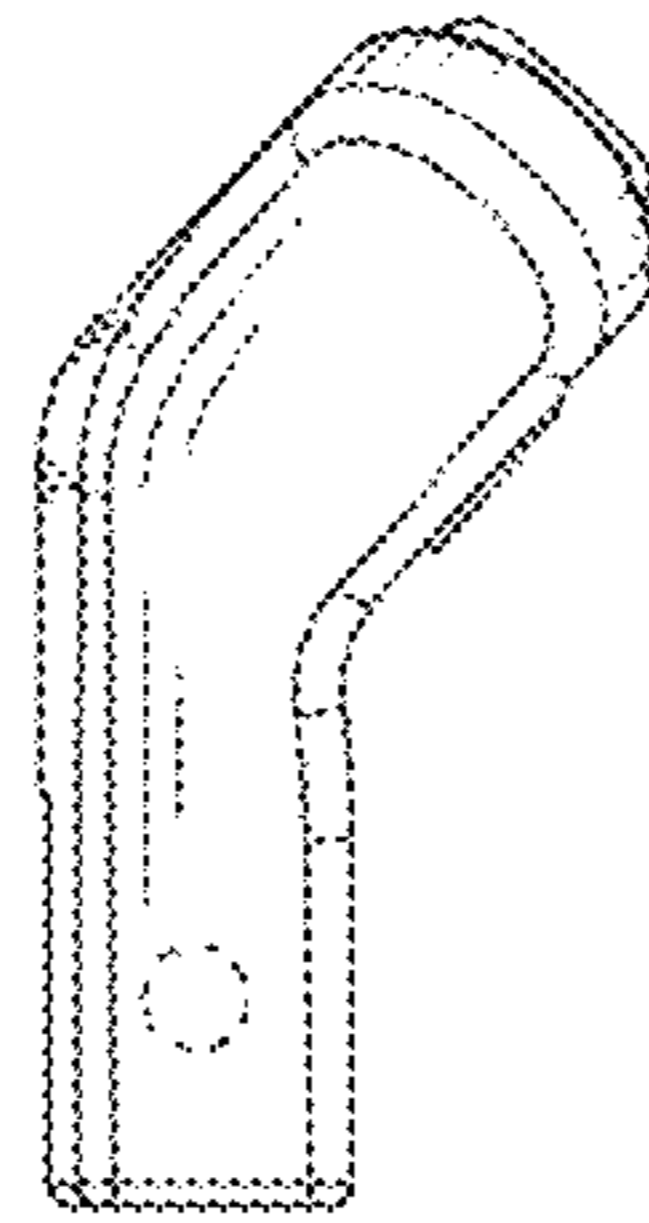


FIG. 6

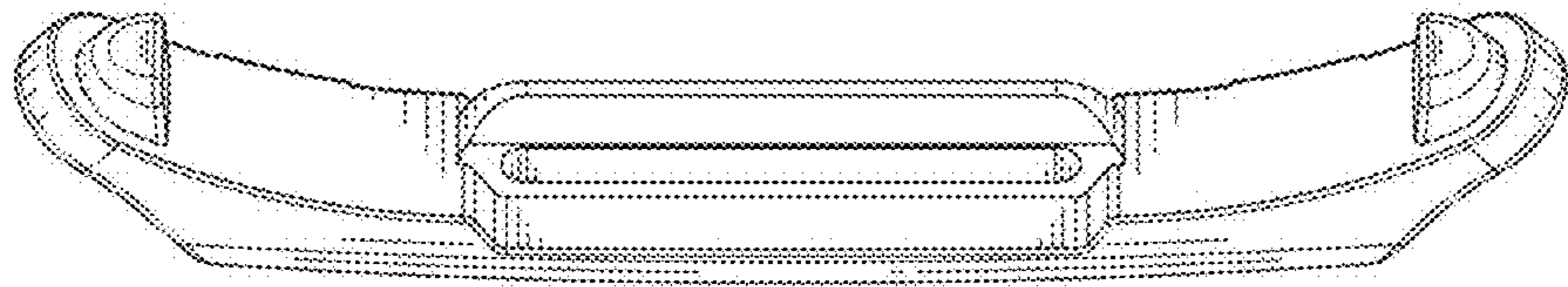


FIG. 7

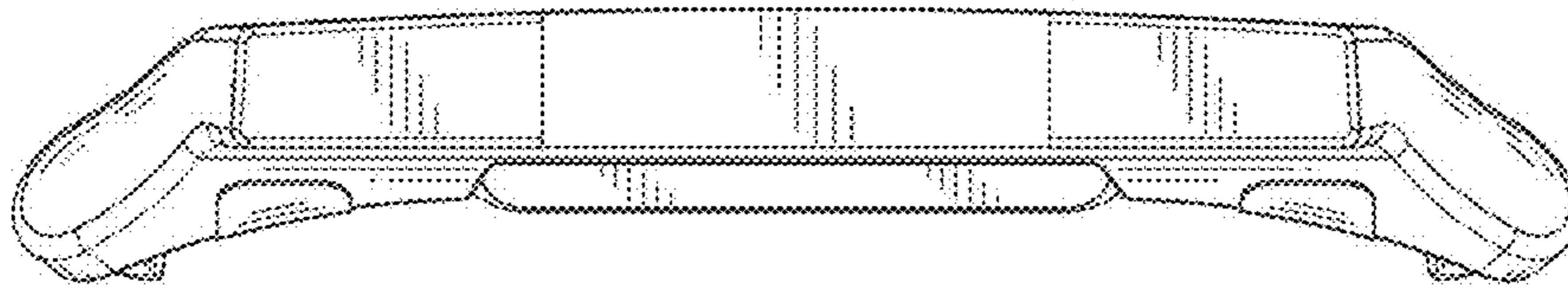


FIG. 8