



US0D1038732S

(12) **United States Design Patent** (10) **Patent No.:** **US D1,038,732 S**
Wang et al. (45) **Date of Patent:** **** Aug. 13, 2024**

(54) **FOLDING TOOL SET**
(71) Applicant: **SHENZHEN NEEWER TECHNOLOGY CO. LTD**, Shenzhen (CN)
(72) Inventors: **Liuyin Wang**, Shenzhen (CN); **Jun Wang**, Shenzhen (CN); **Yan Ke**, Shenzhen (CN)
(**) Term: **15 Years**
(21) Appl. No.: **29/934,326**

8,490,523 B2 * 7/2013 Tsai B25F 1/04
81/439
D708,036 S * 7/2014 Johnson D8/105
D840,208 S * 2/2019 Scott B25F 1/04
D8/107
D866,284 S * 11/2019 Constantine D8/93
D866,286 S 11/2019 Parks
D897,813 S 10/2020 Parks
D897,814 S * 10/2020 Parks D8/105
10,792,800 B2 * 10/2020 Parks B25F 1/04
D924,033 S * 7/2021 Parks D8/105
D964,141 S 9/2022 Williams
D1,007,274 S * 12/2023 Parks D8/105

(Continued)

(22) Filed: **Mar. 25, 2024**
(51) **LOC (14) Cl.** **08-05**
(52) **U.S. Cl.**
USPC **D8/105; D8/85**
(58) **Field of Classification Search**
USPC D8/14, 82, 83, 84, 105
CPC B25B 13/56; B25B 15/008; B25F 1/00;
B25F 1/04; B25G 1/085
See application file for complete search history.

OTHER PUBLICATIONS

Neewer, Neewer 8 in 1 Folding Screwdrivers Tool Set: 3 Screwdrivers, 5 Hex Keys, 7 Threads for Screw Storage, Pocket Tool Compatible with SmallRig Neewer Camera Cage Rig Top Handle Tripod QR Plate, UA006, Applicant started sell the product on May 10, 2023. Date on Mar. 21, 2024. The link is <https://www.amazon.com/dp/B0C4TJ1RJD/>.

Primary Examiner — Philip S Hyder

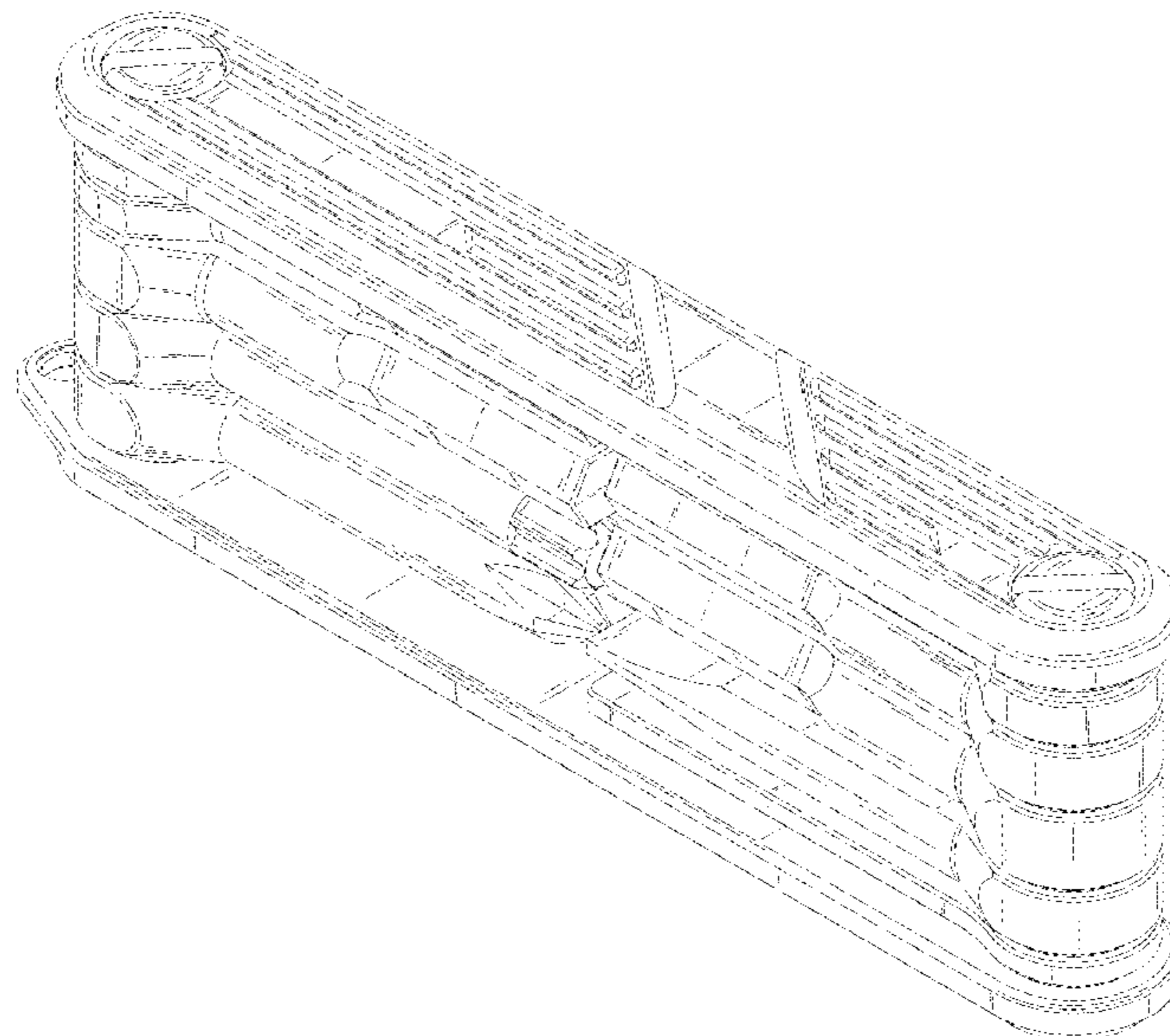
(56) **References Cited**
U.S. PATENT DOCUMENTS
D382,190 S * 8/1997 Blackston D8/107
D383,048 S * 9/1997 Sorensen D8/107
D385,767 S * 11/1997 Sorensen D8/107
5,791,211 A * 8/1998 Bondhus B25F 1/04
81/440
6,128,981 A * 10/2000 Bondhus B25B 13/56
81/177.4
6,564,678 B1 * 5/2003 Wang B25B 15/008
81/437
6,601,481 B2 * 8/2003 Chuang B25B 15/008
81/177.4
D479,963 S * 9/2003 Chang D8/21
D542,111 S 5/2007 Te
D622,125 S 8/2010 Robinson
D632,155 S * 2/2011 Lai B25F 1/04
D8/107

(57) **CLAIM**
The ornamental design for a folding tool set, as shown and described.

DESCRIPTION

FIG. 1 is a front, left and top perspective view of a folding tool set showing our new design;
FIG. 2 is a rear, right and bottom perspective view thereof;
FIG. 3 is a front elevational view thereof;
FIG. 4 is a rear elevational view thereof;
FIG. 5 is a right view thereof;
FIG. 6 is a left view thereof;
FIG. 7 is a top plan view thereof; and,
FIG. 8 is a bottom plan view thereof.

1 Claim, 8 Drawing Sheets



(56)

References Cited

U.S. PATENT DOCUMENTS

2003/0066396 A1* 4/2003 Chuang B25F 1/04
81/440
2003/0074738 A1* 4/2003 Chuang B25B 13/56
7/100
2007/0209485 A1* 9/2007 Te B25F 1/04
81/440
2011/0145997 A1* 6/2011 Wu B25F 1/04
7/118
2011/0173759 A1* 7/2011 Taiga B25F 1/04
7/118
2014/0102267 A1* 4/2014 Hermansen B25F 1/04
81/490
2017/0120434 A1* 5/2017 Tsai B25F 1/04
2017/0334045 A1* 11/2017 Kuo B25B 15/008
2018/0104803 A1* 4/2018 Chuang B25B 27/0071
2018/0147701 A1* 5/2018 Liu B25F 1/04
2019/0152040 A1* 5/2019 Parks B25F 1/04
2019/0344409 A1* 11/2019 Hu B25B 23/0007
2020/0061784 A1* 2/2020 Hermansen B25F 1/04
2021/0187713 A1* 6/2021 Winefordner B25B 13/5008

* cited by examiner

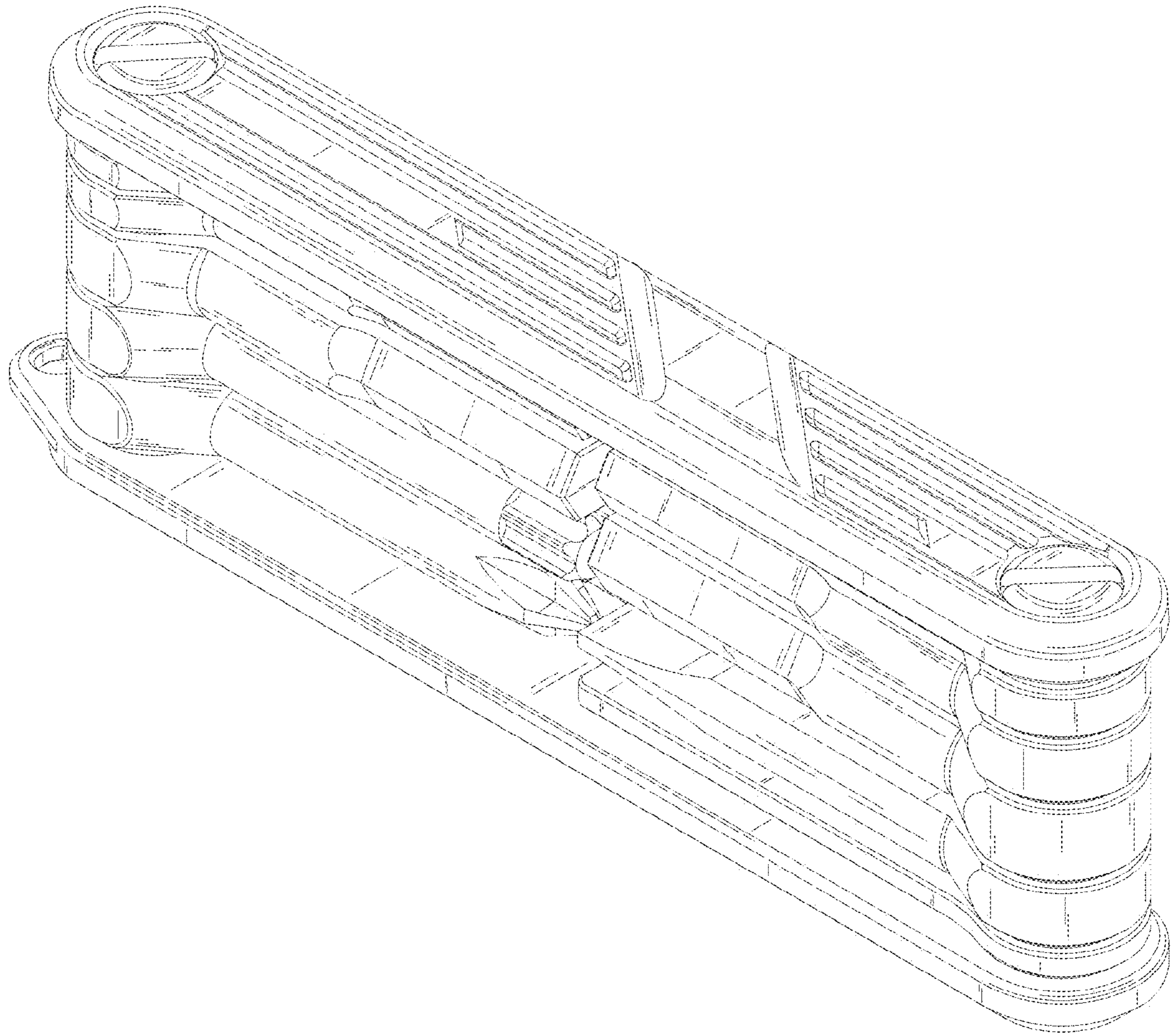


FIG. 1

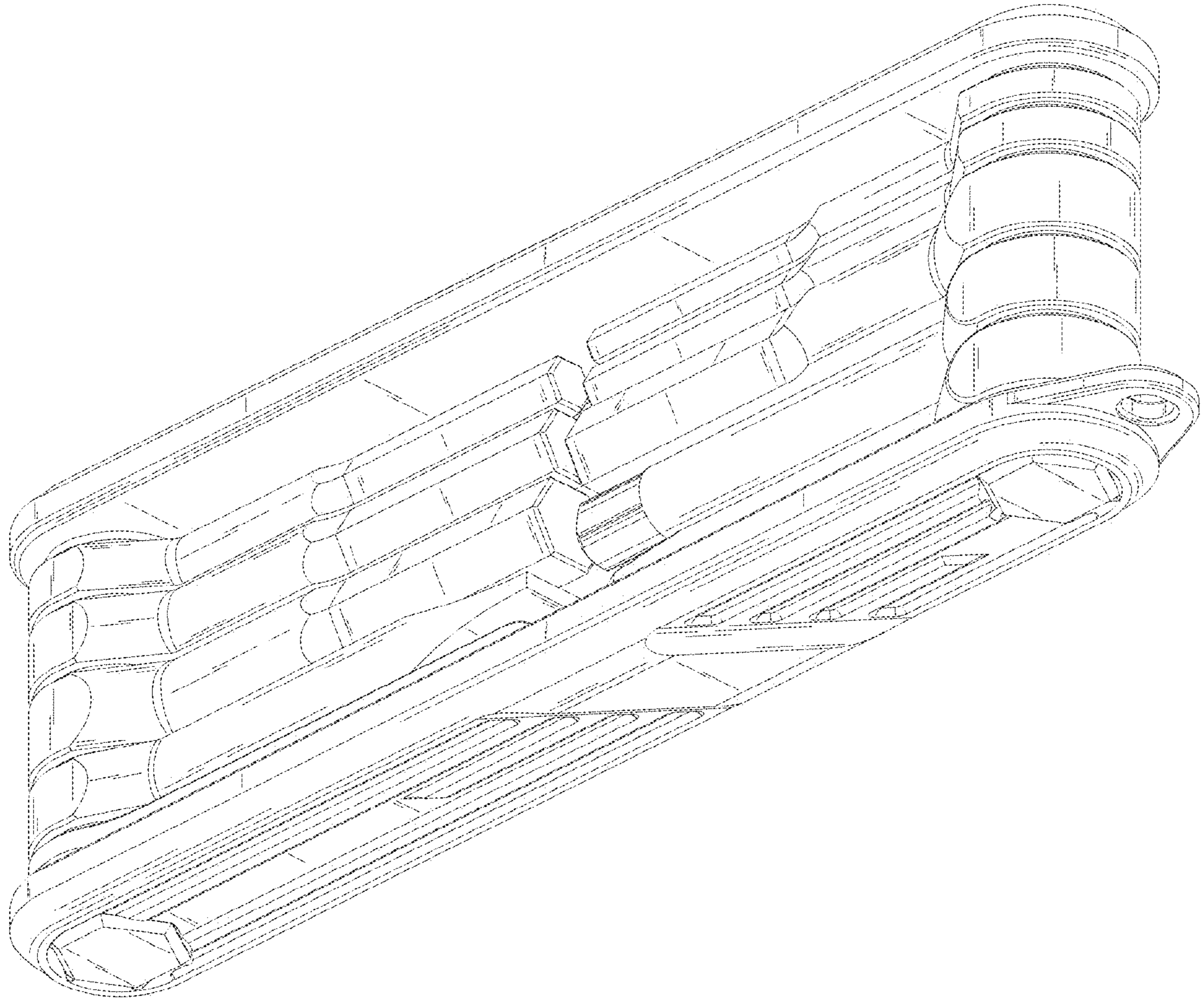


FIG. 2

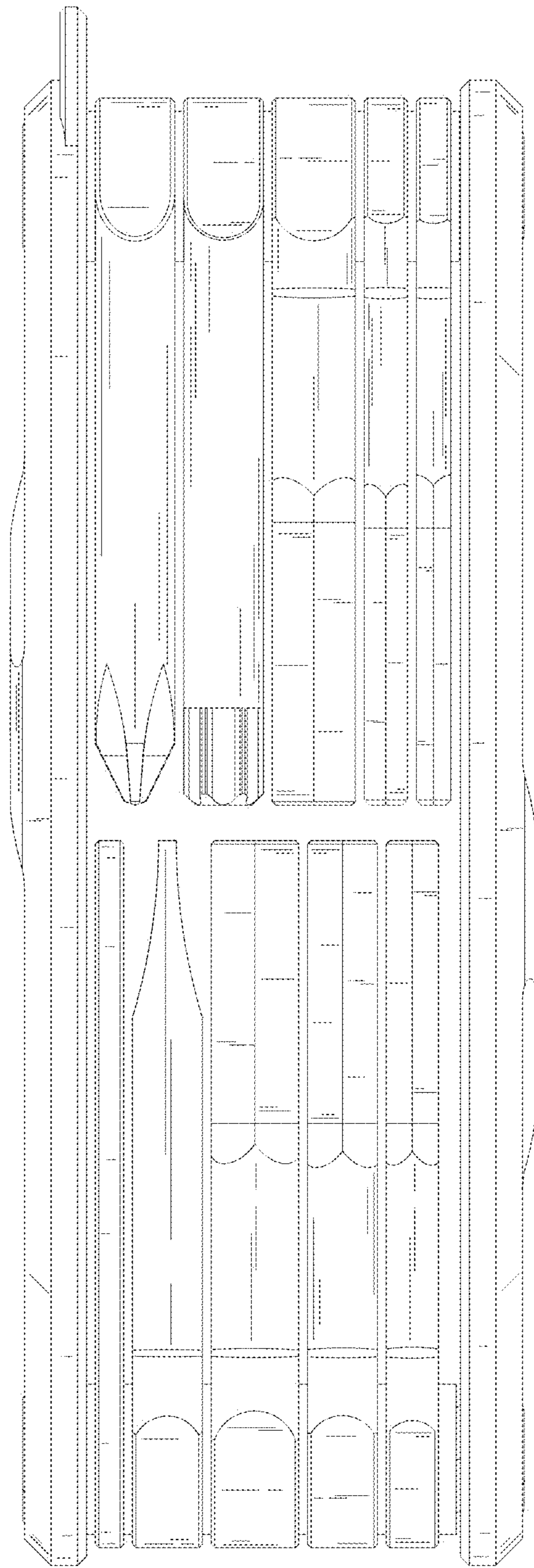


FIG. 3

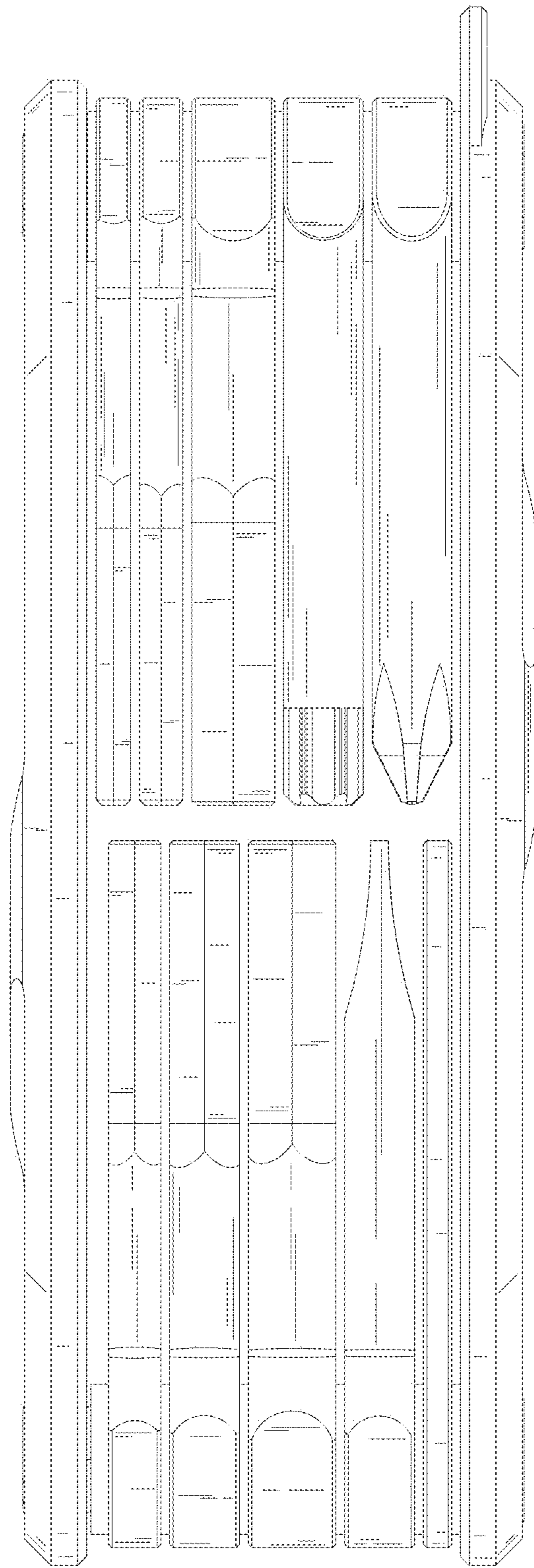


FIG. 4

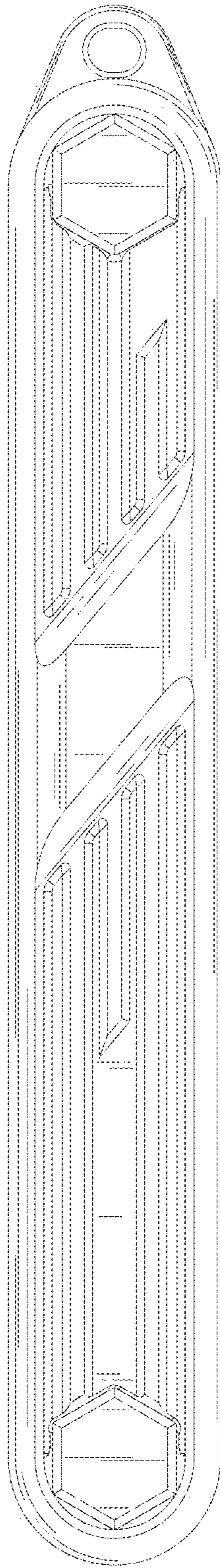


FIG. 5

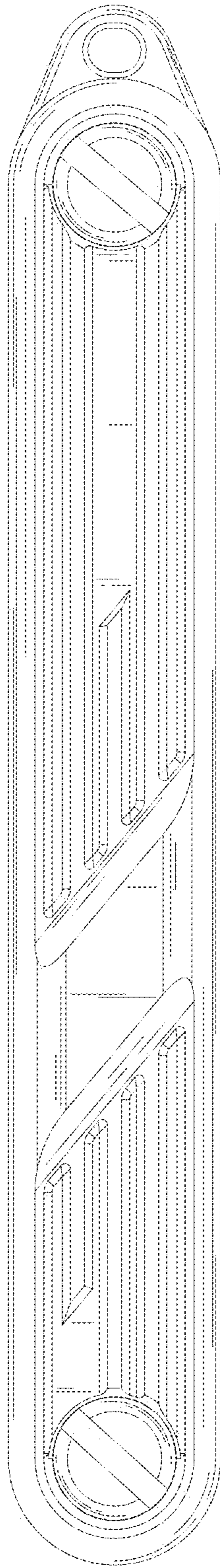


FIG. 6

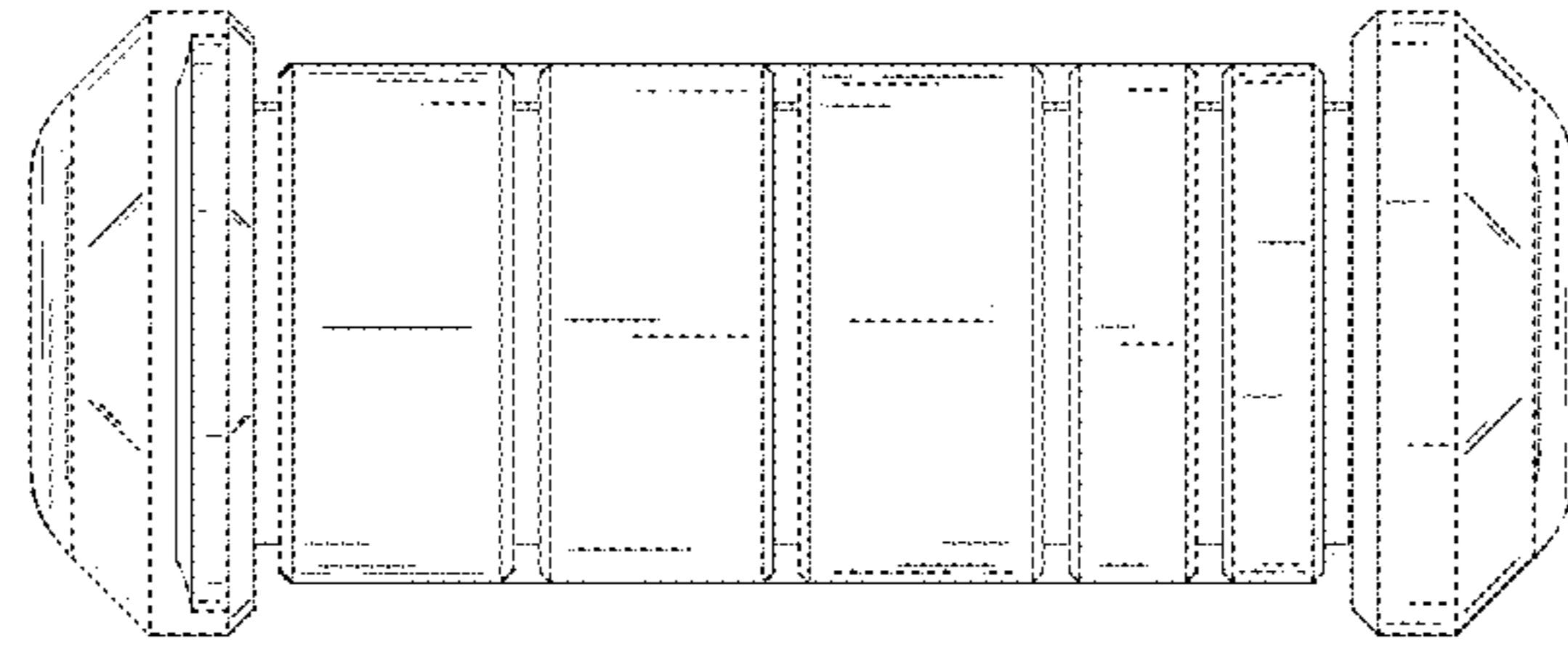


FIG. 7

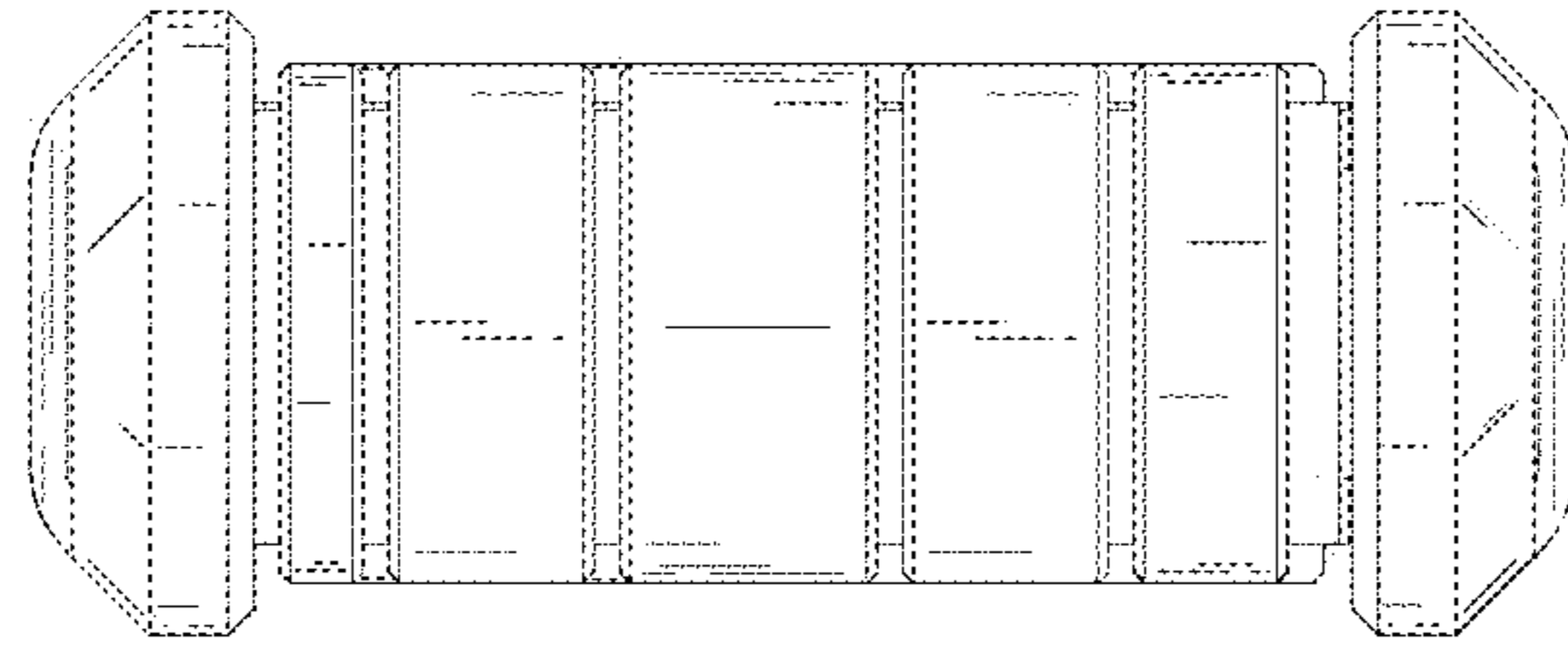


FIG. 8