



US0D1038710S

(12) **United States Design Patent** (10) **Patent No.:** **US D1,038,710 S**
Khan (45) **Date of Patent:** **** *Aug. 13, 2024**

- (54) **SPOON**
- (71) Applicant: **Faisal Khan**, Frisco, TX (US)
- (72) Inventor: **Faisal Khan**, Frisco, TX (US)
- (*) Notice: This patent is subject to a terminal disclaimer.
- (**) Term: **15 Years**
- (21) Appl. No.: **29/783,800**
- (22) Filed: **May 14, 2021**

Related U.S. Application Data

- (63) Continuation-in-part of application No. 16/152,972, filed on Oct. 5, 2018, now Pat. No. 10,973,350.
- (51) **LOC (14) Cl.** **07-03**
- (52) **U.S. Cl.**
USPC **D7/653**
- (58) **Field of Classification Search**
USPC D4/138; D7/401.2, 642, 645, 653, 664, D7/669, 681, 688; D8/10; D10/46.2; D24/193
CPC A47G 21/02; A47G 21/023; A47G 21/026; A47G 21/04; A47G 21/004; A47G 21/005; A47G 21/06; A47G 21/08; A47J 43/28; A47J 43/281; A47J 43/282; A47J 43/283; A47J 43/285; A47J 43/288; A47F 13/08; A61J 7/0015; A61J 7/0023
See application file for complete search history.

(56) **References Cited**

U.S. PATENT DOCUMENTS

- D395,986 S * 7/1998 Jones D7/681
- D429,123 S * 8/2000 Liu D7/653
- D510,685 S * 10/2005 Guzzini D7/653

- D530,573 S * 10/2006 Wagner D7/653
- D621,229 S * 8/2010 De Bretton Gordon D7/645
- D719,790 S * 12/2014 Grcic D7/653
- D722,838 S * 2/2015 Donovan D7/653
- D834,896 S * 12/2018 Appelbaum D7/653
- D909,147 S * 2/2021 Lacotta D7/653
- D914,469 S * 3/2021 Xie D7/691
- D971,700 S * 12/2022 Davidov D7/653

FOREIGN PATENT DOCUMENTS

- CN 305541861 * 1/2020
- EM 015023749-0007 * 6/2023

OTHER PUBLICATIONS

Baby and Toddler Spoon Set, NutriChef. First available, Nov. 3, 2021[online]. [site visited Nov. 28, 2023]. Available from internet, URL: <https://www.amazon.com/> (Year: 2021).*

* cited by examiner

Primary Examiner — Catherine S Posthauer

Assistant Examiner — Kendra L Hebel

(74) *Attorney, Agent, or Firm* — Avek IP, LLC

(57) **CLAIM**

The ornamental design for a spoon, as shown and described.

DESCRIPTION

FIG. 1 is an isometric view of a spoon according to the present application;

FIG. 2 is a top view of the spoon;

FIG. 3 is a bottom view of the spoon;

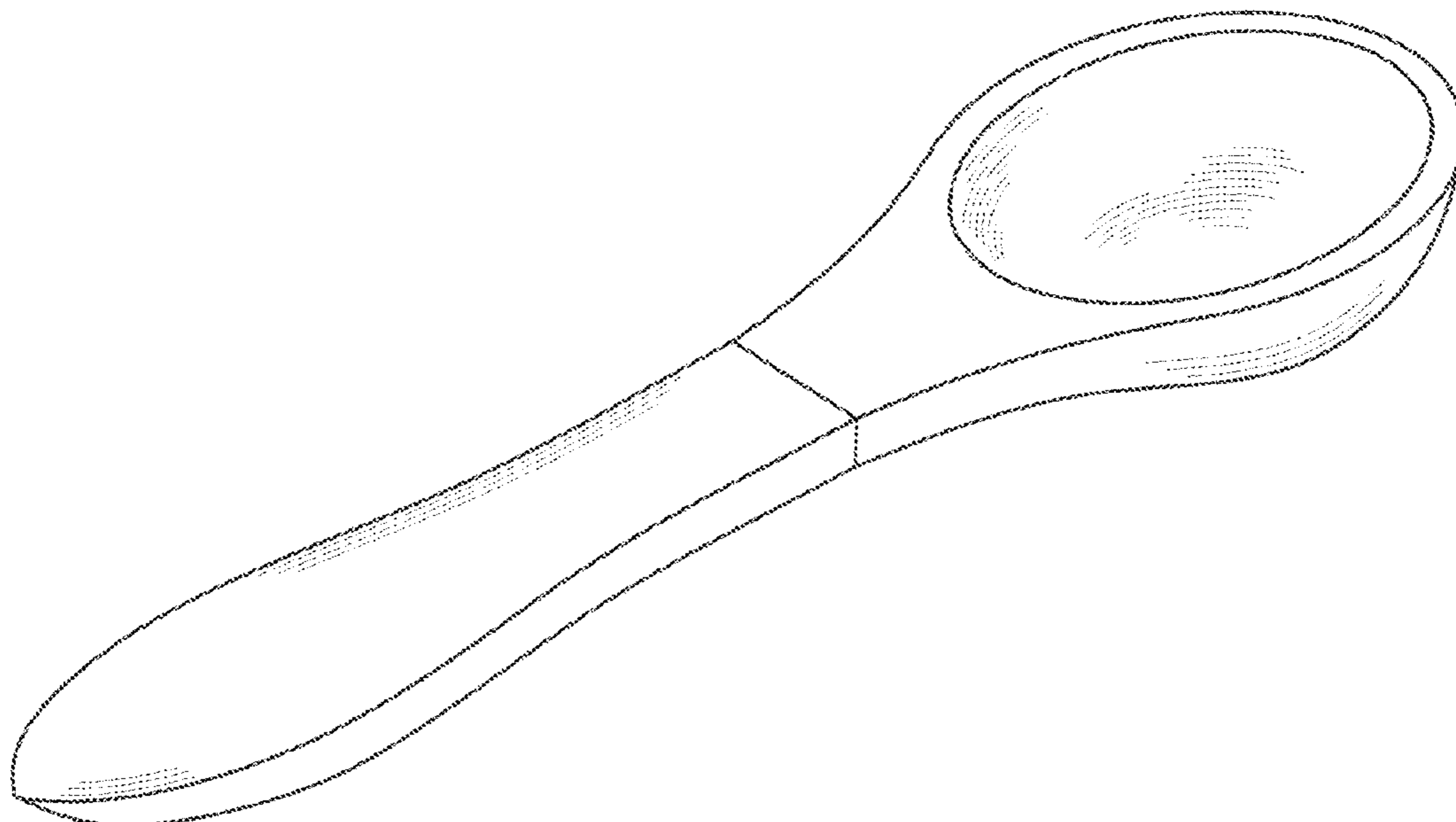
FIG. 4 is a side view of the spoon;

FIG. 5 is a front view of the spoon; and,

FIG. 6 is a rear view of the spoon.

The broken lines show portions of a spoon and form no part of the claimed design.

1 Claim, 3 Drawing Sheets



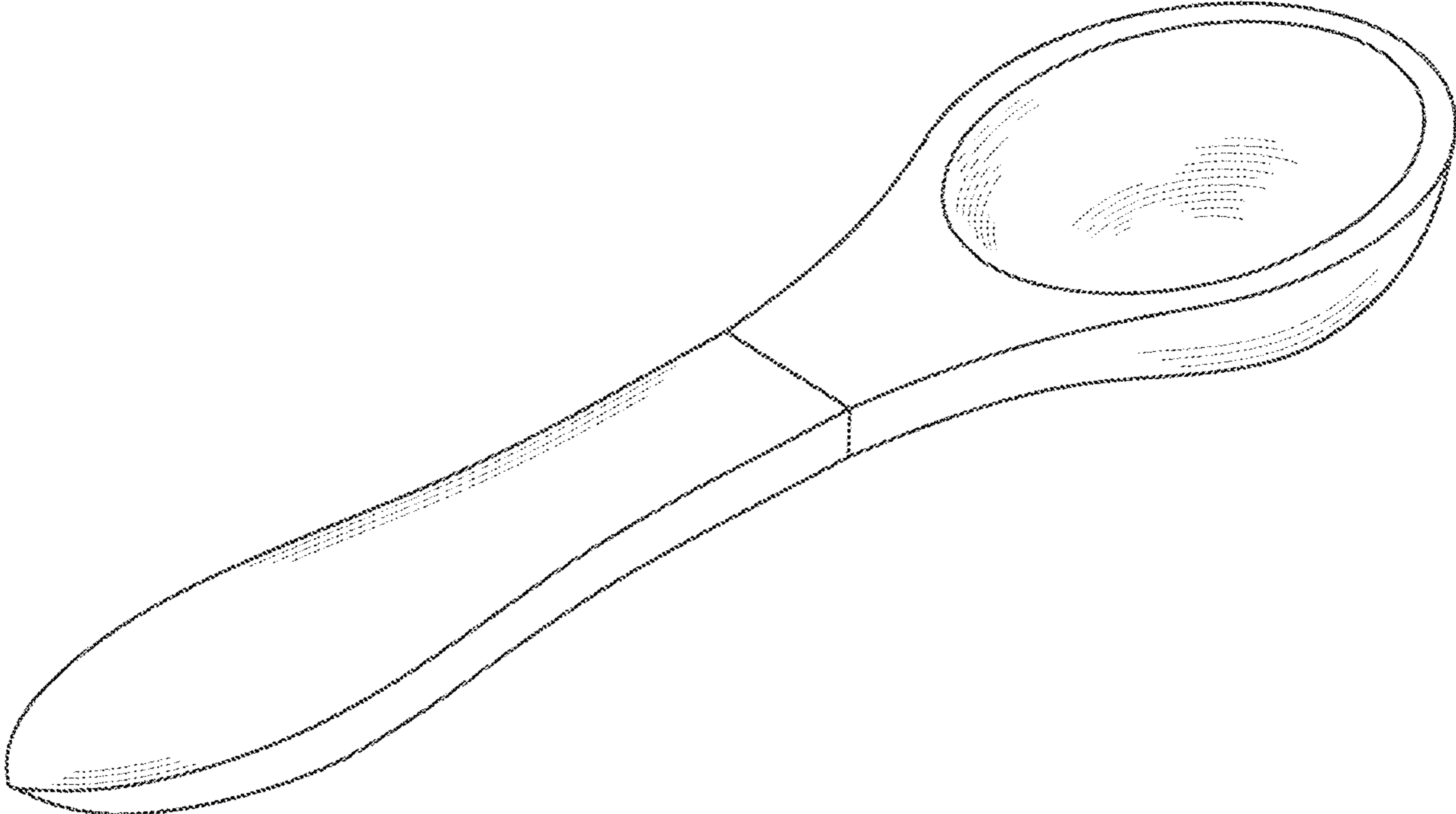


FIG. 1

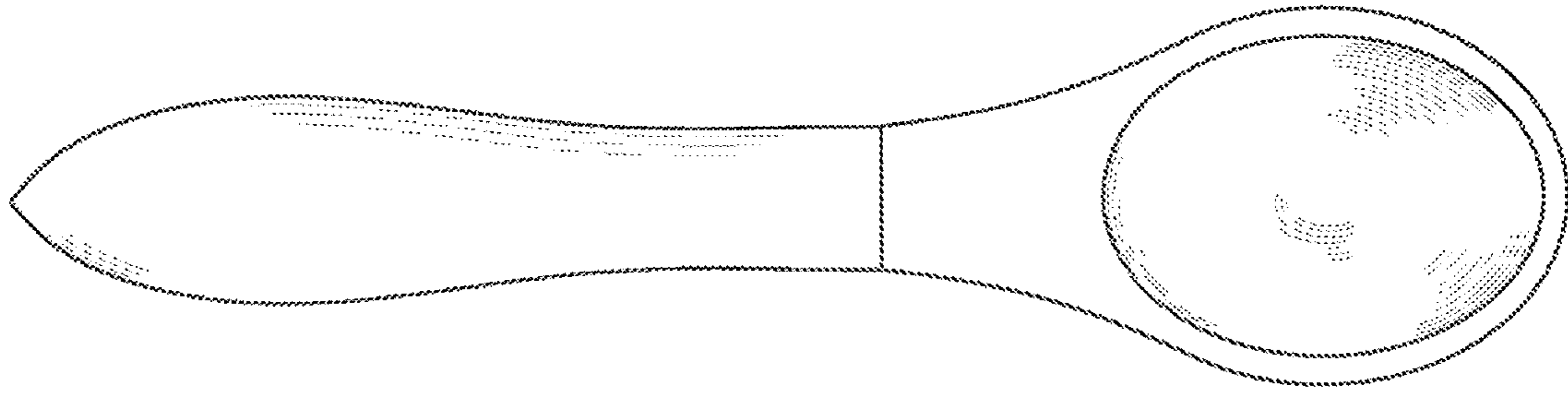


FIG. 2

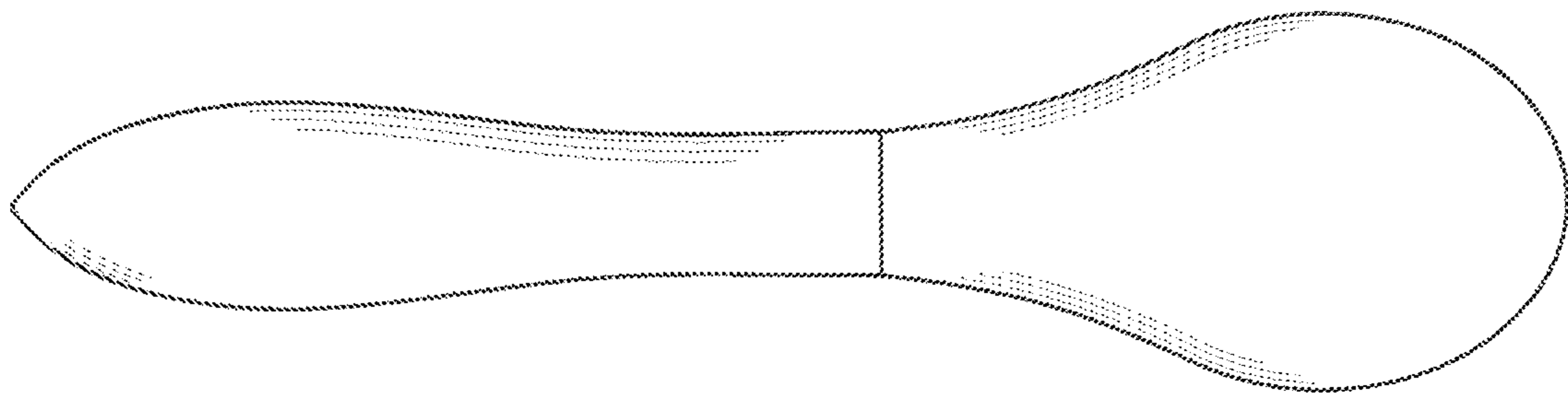


FIG. 3

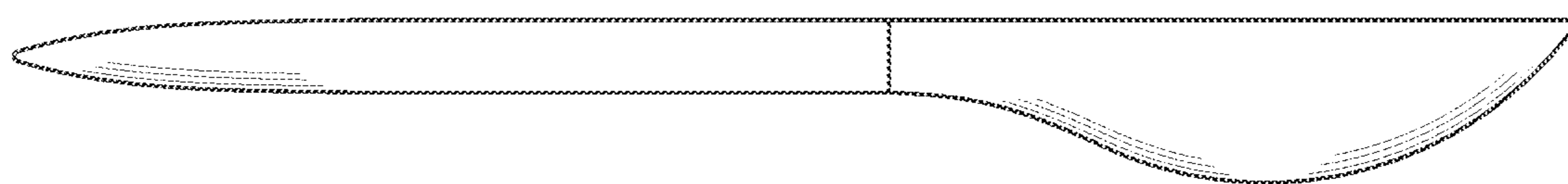


FIG. 4



FIG. 5

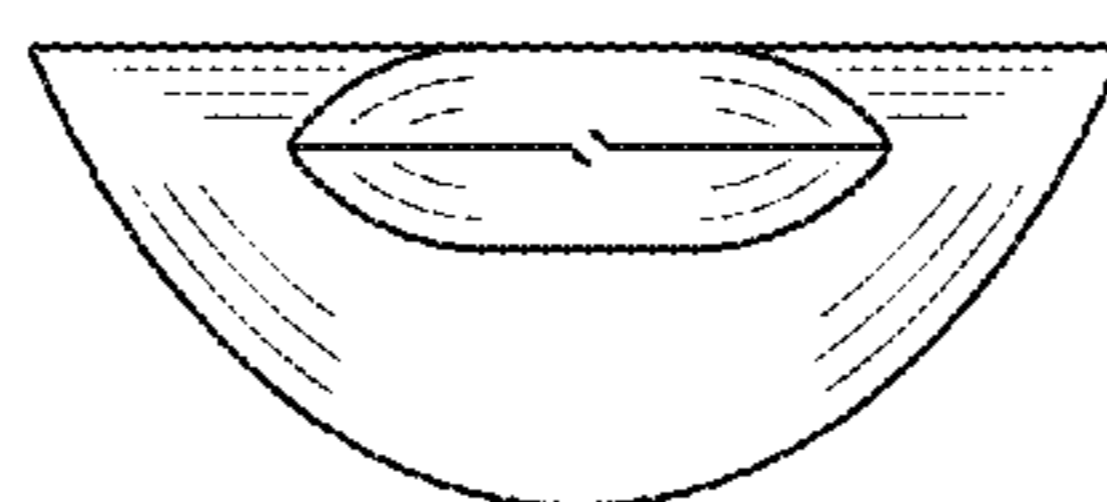


FIG. 6