



US0D1038681S

(12) **United States Design Patent** (10) **Patent No.: US D1,038,681 S**
Chun et al. (45) **Date of Patent: ** Aug. 13, 2024**

(54) **COOKING APPLIANCE**
(71) Applicant: **LG Electronics Inc.**, Seoul (KR)
(72) Inventors: **Jaehung Chun**, Seoul (KR); **Taeho Kim**, Seoul (KR); **Jonghak Lee**, Seoul (KR); **Junghoon Lee**, Seoul (KR)
(73) Assignee: **LG ELECTRONICS INC.**, Seoul (KR)

D348,797 S * 7/1994 Brady D7/386
D350,449 S * 9/1994 Kaneko D7/350.3
5,539,184 A * 7/1996 Su A47J 37/0629
99/421 V

(Continued)

(**) Term: **15 Years**

(21) Appl. No.: **35/519,002**

(22) Filed: **Nov. 17, 2022**

(80) **Hague Agreement Data**

Int. Filing Date: **Nov. 17, 2022**
Int. Reg. No.: **DM/225255**
Int. Reg. Date: **Nov. 17, 2022**
Int. Reg. Pub. Date: **Nov. 17, 2023**

(30) **Foreign Application Priority Data**

May 17, 2022 (KR) 30-2022-0019547

(51) **LOC (14) Cl.** **07-02**

(52) **U.S. Cl.**
USPC **D7/347; D7/355; D7/358; D7/403**

(58) **Field of Classification Search**
USPC D7/323–325, 327, 331, 332, 334, 339,
D7/347, 354, 355, 357–359, 366,
D7/376–378, 387, 388, 391, 402, 403,
D7/412–415

CPC A47J 27/00; A47J 27/002; A47J 27/004;
A47J 27/043; A47J 27/082; A47J 27/084;
A47J 27/086; A47J 37/015; A47J 37/06;
A47J 37/0605; A47J 37/0623; A47J
37/0629; A47J 37/0676; A47J 37/1209
See application file for complete search history.

(56) **References Cited**

U.S. PATENT DOCUMENTS

D262,710 S * 1/1982 Williams D7/331
D335,423 S * 5/1993 Naft D7/355

FOREIGN PATENT DOCUMENTS

CN 304320396 * 10/2017
WO WO-D065430-003 * 11/2004
WO WO-D225255-001 * 11/2023

OTHER PUBLICATIONS

“OKU Mini Multi-Cooker,” Jul. 30, 2019, Amazon.co.jp, www.amazon.co.jp/-/en/Multi-Cooker-Electric-Russian-shabu-shabu-Porridg/dp/B07V816TS9 (Year: 2019).*

(Continued)

Primary Examiner — Joseph Kukella
Assistant Examiner — Arva P Adams
(74) *Attorney, Agent, or Firm* — Birch, Stewart, Kolasch & Birch, LLP

(57) **CLAIM**

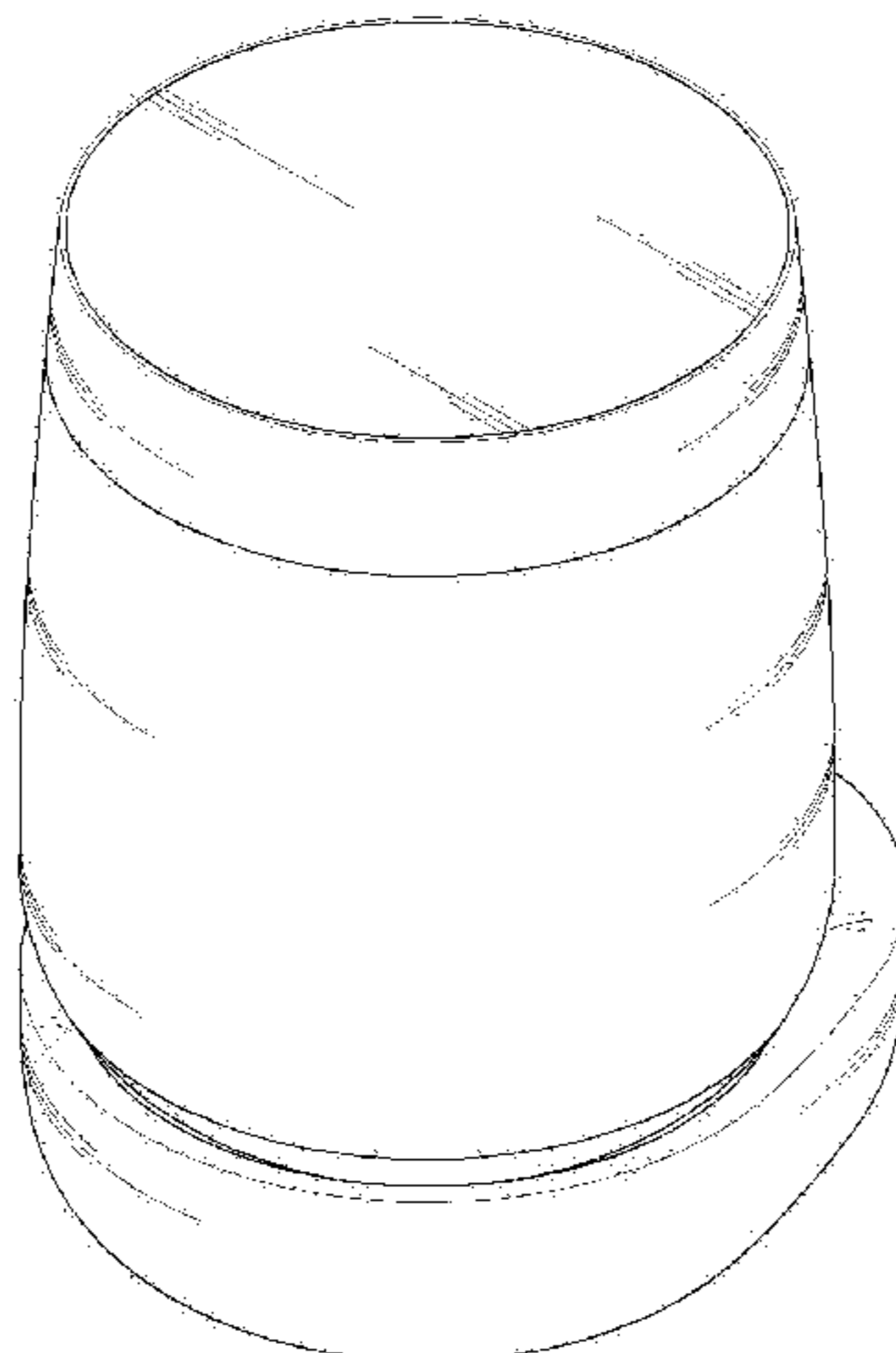
The ornamental design for a cooking appliance, as shown and described.

DESCRIPTION

- 1. Cooking appliance
- 1.1 : Perspective
- 1.2 : Front
- 1.3 : Back
- 1.4 : Left
- 1.5 : Right
- 1.6 : Top
- 1.7 : Bottom

This design is for a cooking appliance that can stir-fry, roast, deep-fry, boil, wok-hei, etc.

1 Claim, 7 Drawing Sheets



(56)

References Cited

U.S. PATENT DOCUMENTS

6,135,012 A * 10/2000 Kao A47J 27/086
219/453.11
6,805,312 B2 * 10/2004 Capp A47J 27/004
241/199.12
D611,288 S * 3/2010 Bodum D7/319
10,524,315 B2 * 12/2019 Hijikata A47J 27/004
D873,063 S * 1/2020 Zeng D7/350.1
D876,869 S * 3/2020 Ha D7/311
D878,849 S * 3/2020 Alexander D7/326

OTHER PUBLICATIONS

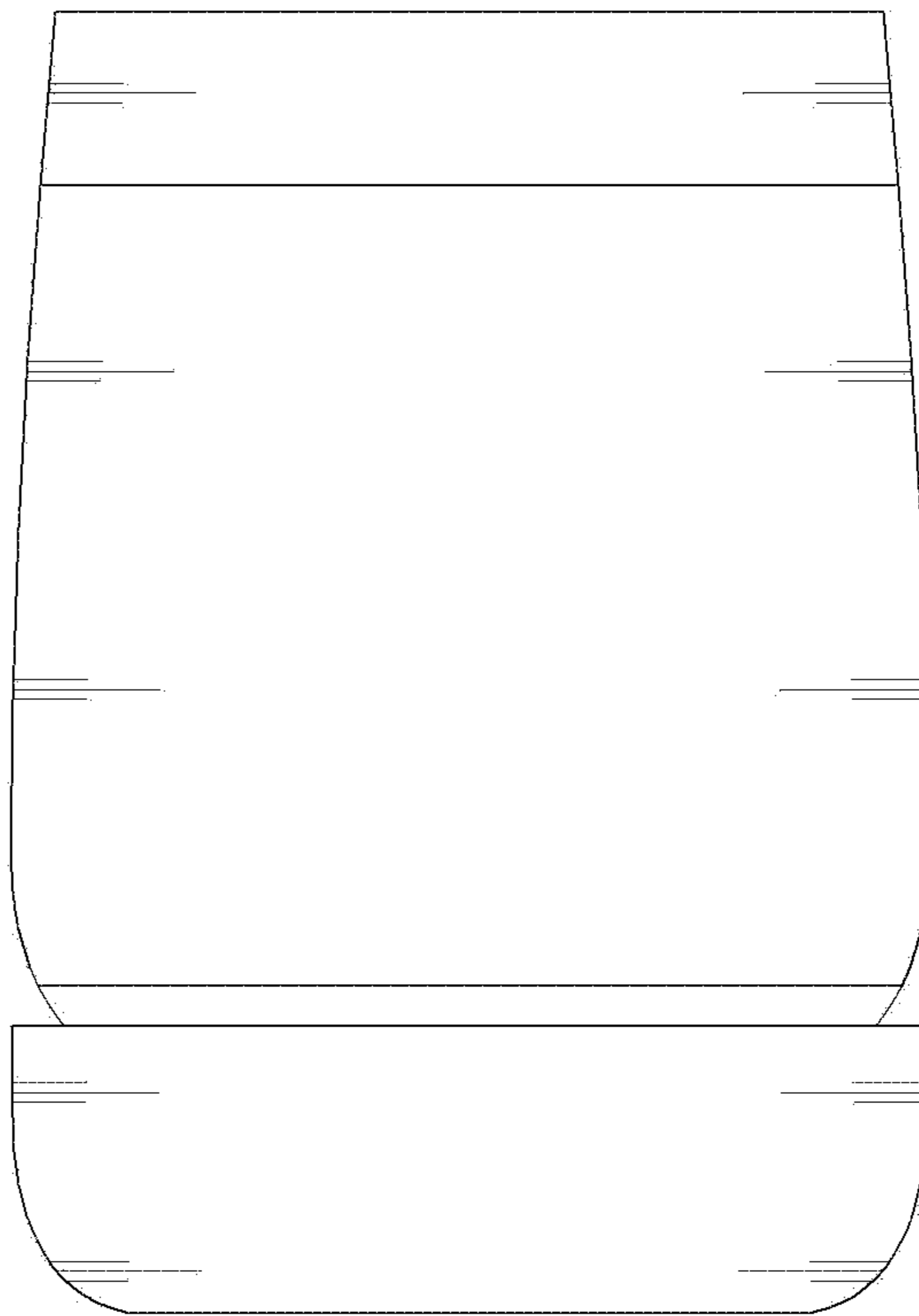
Tenavo-UK, "Tenavo Small Rice Cooker," Aug. 10, 2022, Amazon.
co.uk, www.amazon.co.uk/Tenavo-Cooker-Uncooked-People-Multi-cooker/dp/B09BFNB2WV?th=1 (Year: 2022).*

* cited by examiner

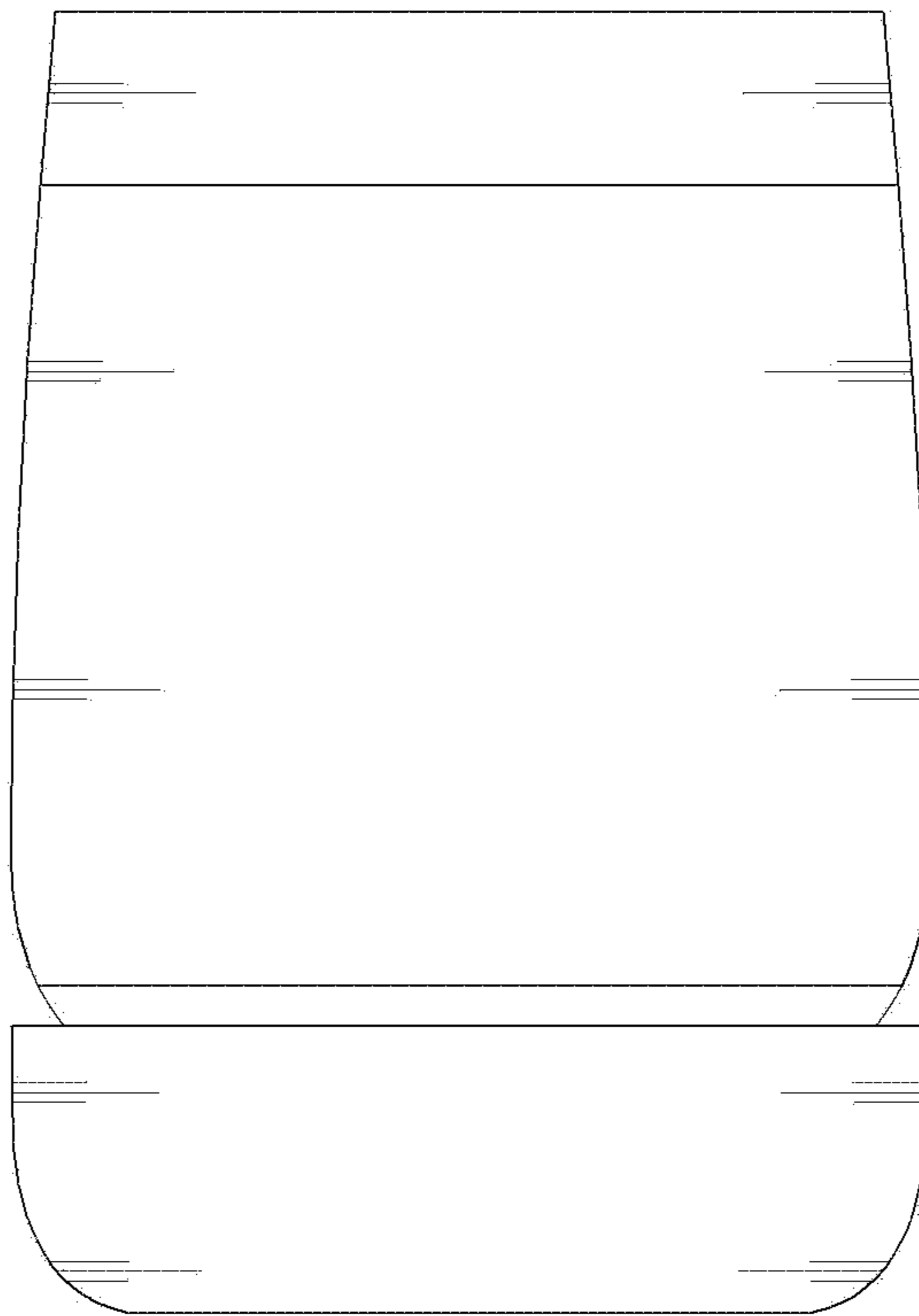
1.1



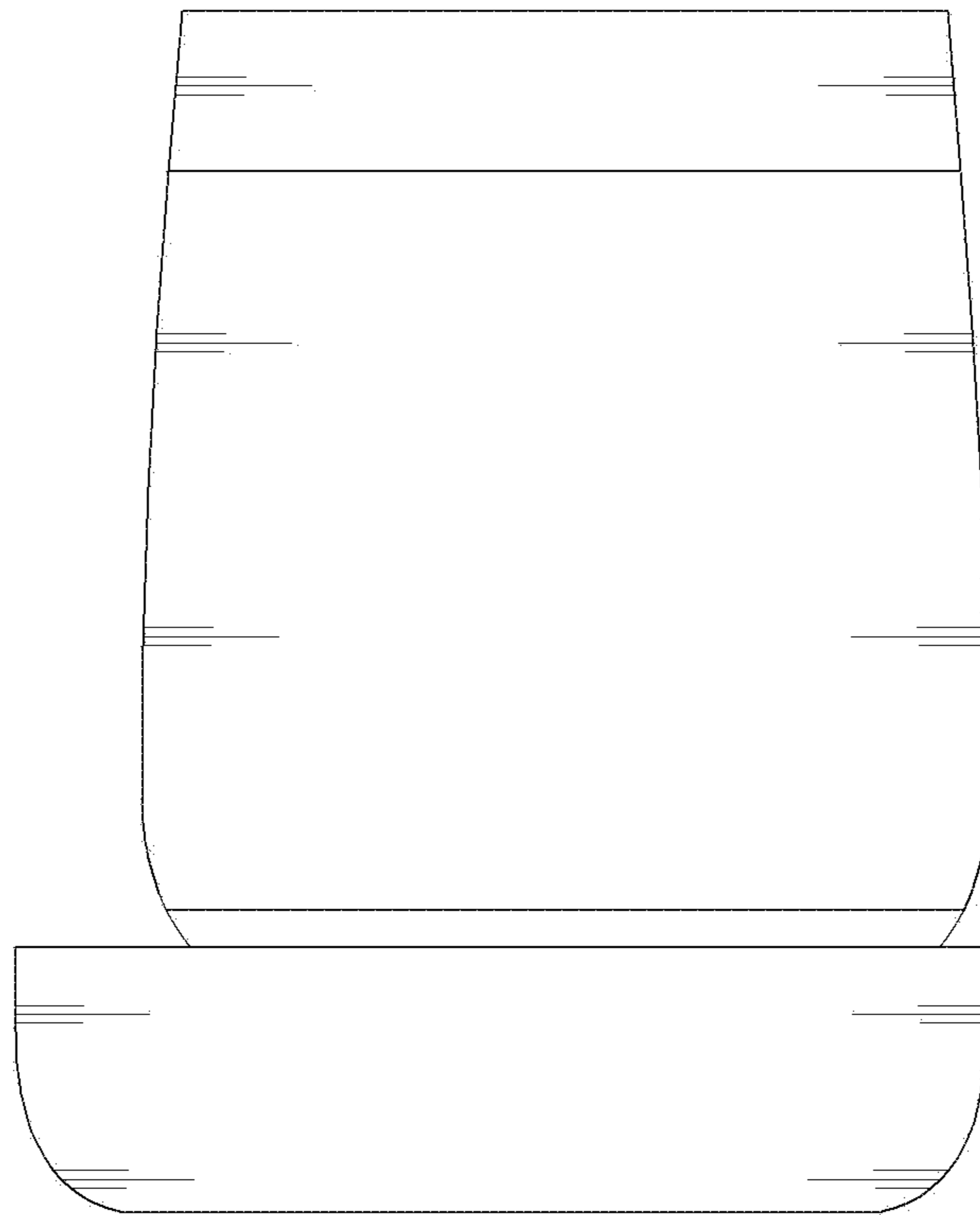
1.2



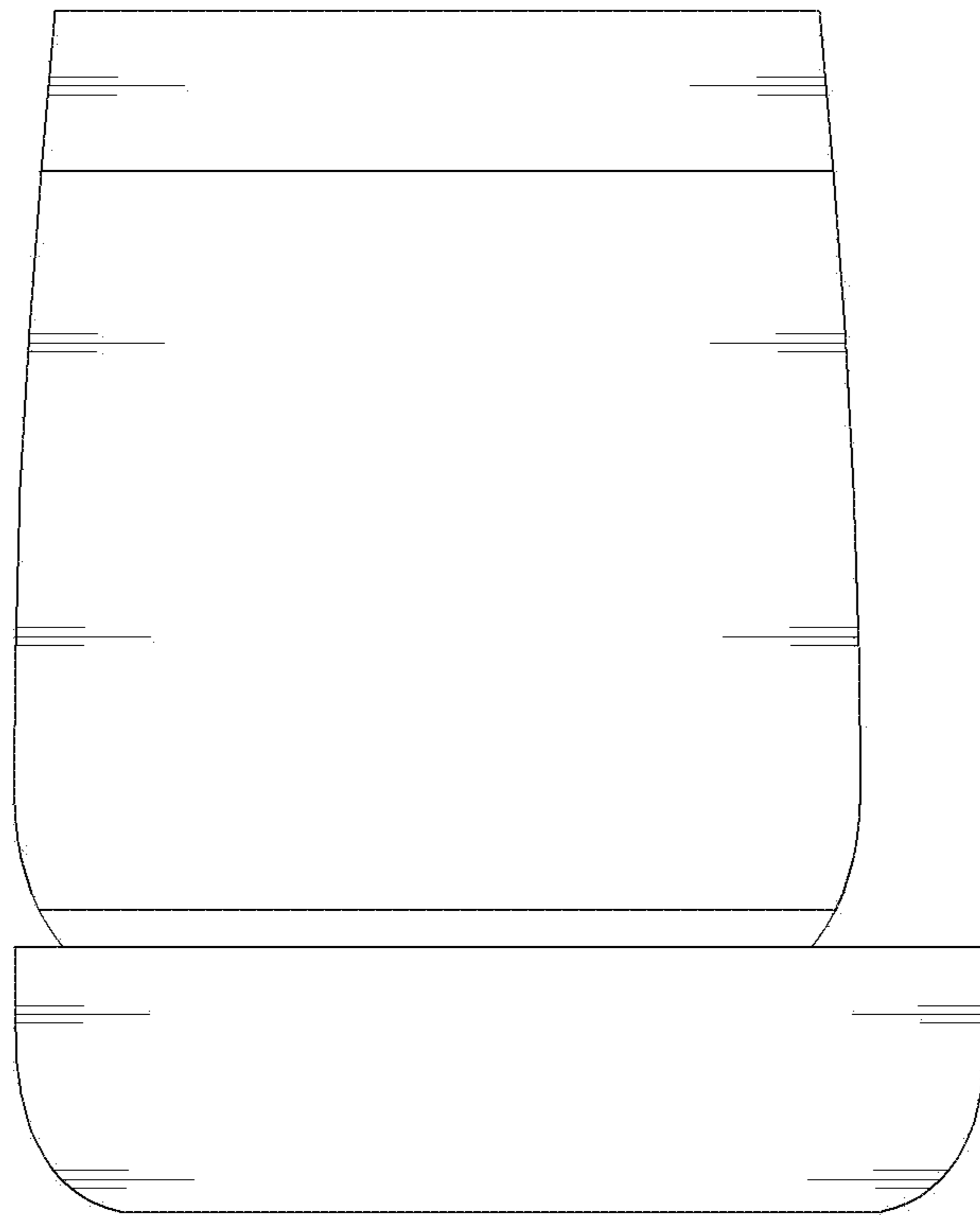
1.3



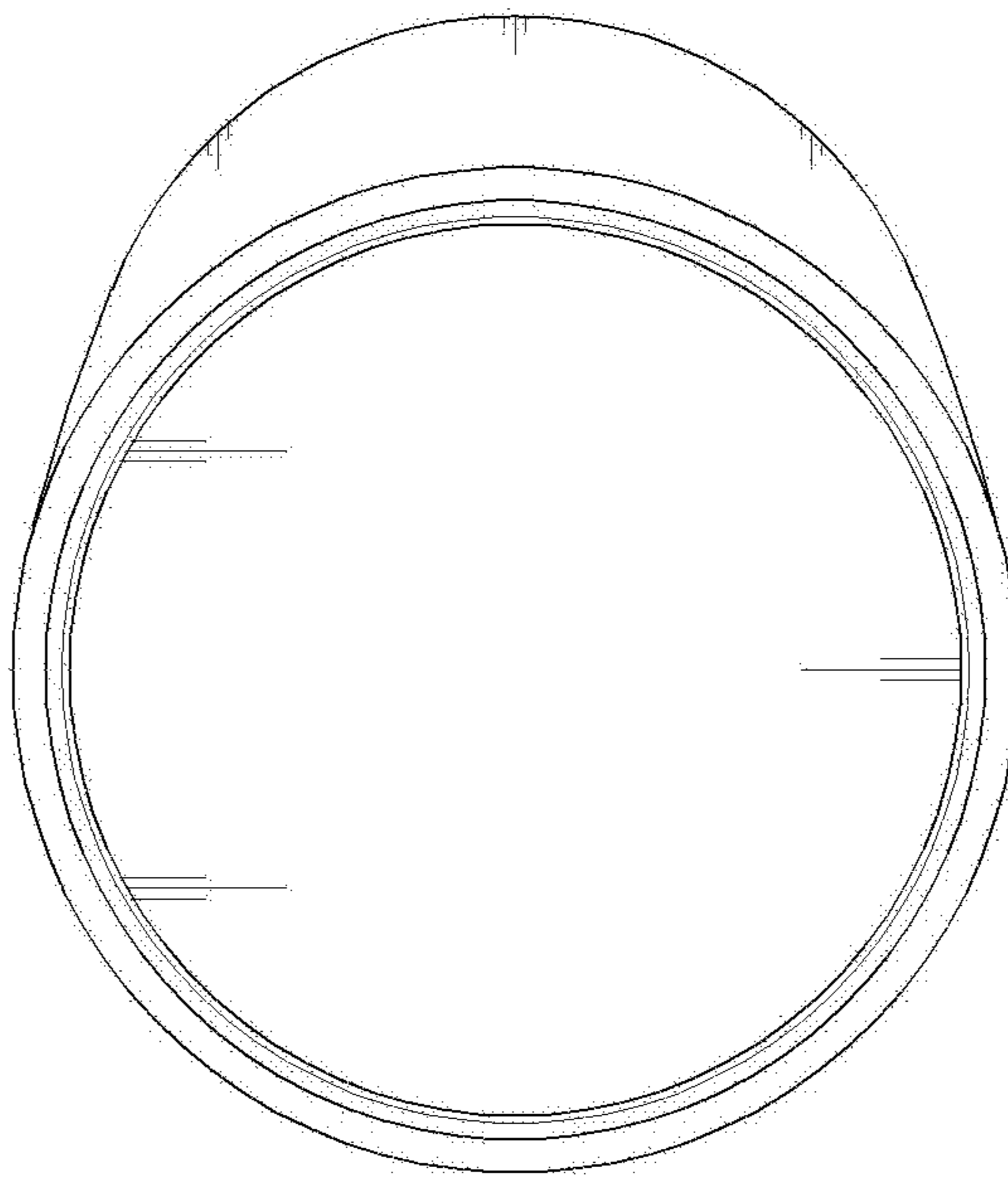
1.4



1.5



1.6



1.7

