



US0D1038576S

(12) **United States Design Patent**  
**Zusman**

(10) **Patent No.:** **US D1,038,576 S**

(45) **Date of Patent:** **\*\* Aug. 13, 2024**

- (54) **GUMMY**
- (71) Applicant: **Bradley Zusman**, Gresham, OR (US)
- (72) Inventor: **Bradley Zusman**, Gresham, OR (US)
- (73) Assignee: **Elevated Tech LLC**, Wilmington, DE (US)
- (\*\*) Term: **15 Years**
- (21) Appl. No.: **29/890,254**
- (22) Filed: **Apr. 21, 2023**
- (51) **LOC (14) Cl.** ..... **01-01**
- (52) **U.S. Cl.**  
USPC ..... **D1/121; D1/127; D1/130**
- (58) **Field of Classification Search**  
USPC ..... D1/100–130, 199; 426/5, 72, 73, 93, 94, 426/104; D8/8.1, 8.2; 424/48, 401, 440, 424/469, 470; D21/373, 499; D24/101–104; D27/100  
CPC ... A23G 4/02; A23G 4/06; A23G 4/08; A23G 4/10; A23G 4/20; A23G 4/00; A23G 3/38; A23G 3/42; A23G 3/54; A23G 3/50; A23G 9/48; A23K 1/164; A23V 2002/00  
See application file for complete search history.

2,520,522	A *	8/1950	Adams	.....	B65D 85/78
					D7/673
D167,430	S *	8/1952	Strause	.....	D1/121
D240,770	S *	8/1976	French	.....	426/805
4,261,468	A *	4/1981	Krebs	.....	B65D 83/0454
					220/525
4,503,031	A *	3/1985	Glassman	.....	A61K 9/0007
					424/44
D321,788	S *	11/1991	Chen	.....	D3/905
D334,420	S *	3/1993	Gladfelter	.....	D23/207
D354,613	S *	1/1995	Kreger	.....	D1/124
D683,243	S *	5/2013	Carson	.....	D9/732
D757,392	S *	5/2016	Boulton	.....	D1/127
D805,727	S *	12/2017	Kemper	.....	D1/121
D827,803	S *	9/2018	Fox	.....	D23/366
D941,551	S *	1/2022	Rahman	.....	D1/121
D964,016	S *	9/2022	Chen	.....	D3/203.3
D968,071	S *	11/2022	Li	.....	D3/203.3

\* cited by examiner

*Primary Examiner* — Katie Jane Stofko

(74) *Attorney, Agent, or Firm* — Donn K. Harms

(57) **CLAIM**

The ornamental design for a gummy, as shown and described.

**DESCRIPTION**

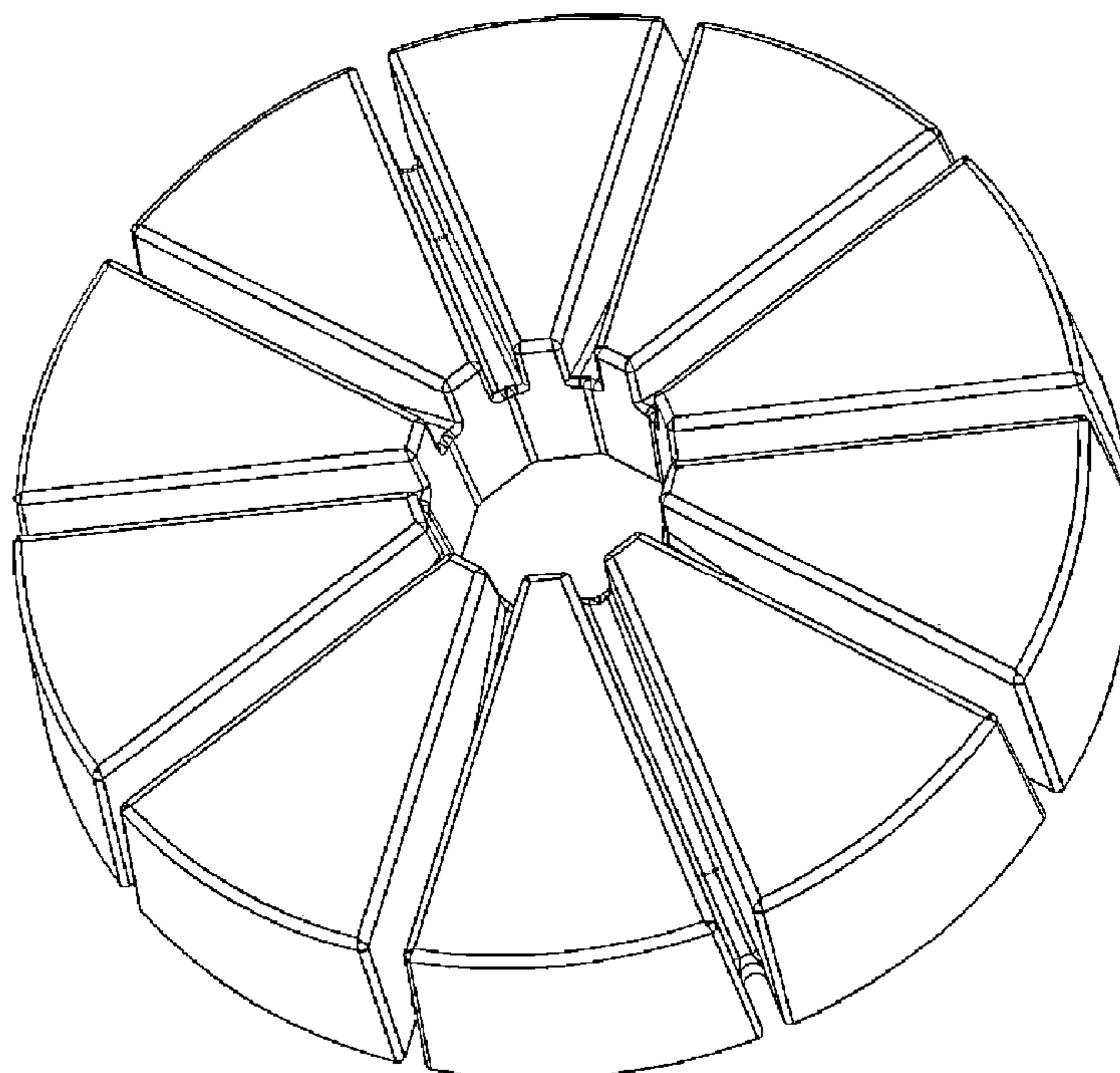
FIG. 1 is a perspective view of a gummy, showing my new design;  
 FIG. 2 is a top view thereof;  
 FIG. 3 is a bottom view thereof;  
 FIG. 4 is a right side view thereof;  
 FIG. 5 is a left side view thereof;  
 FIG. 6 is a front view thereof; and,  
 FIG. 7 is a rear view thereof.

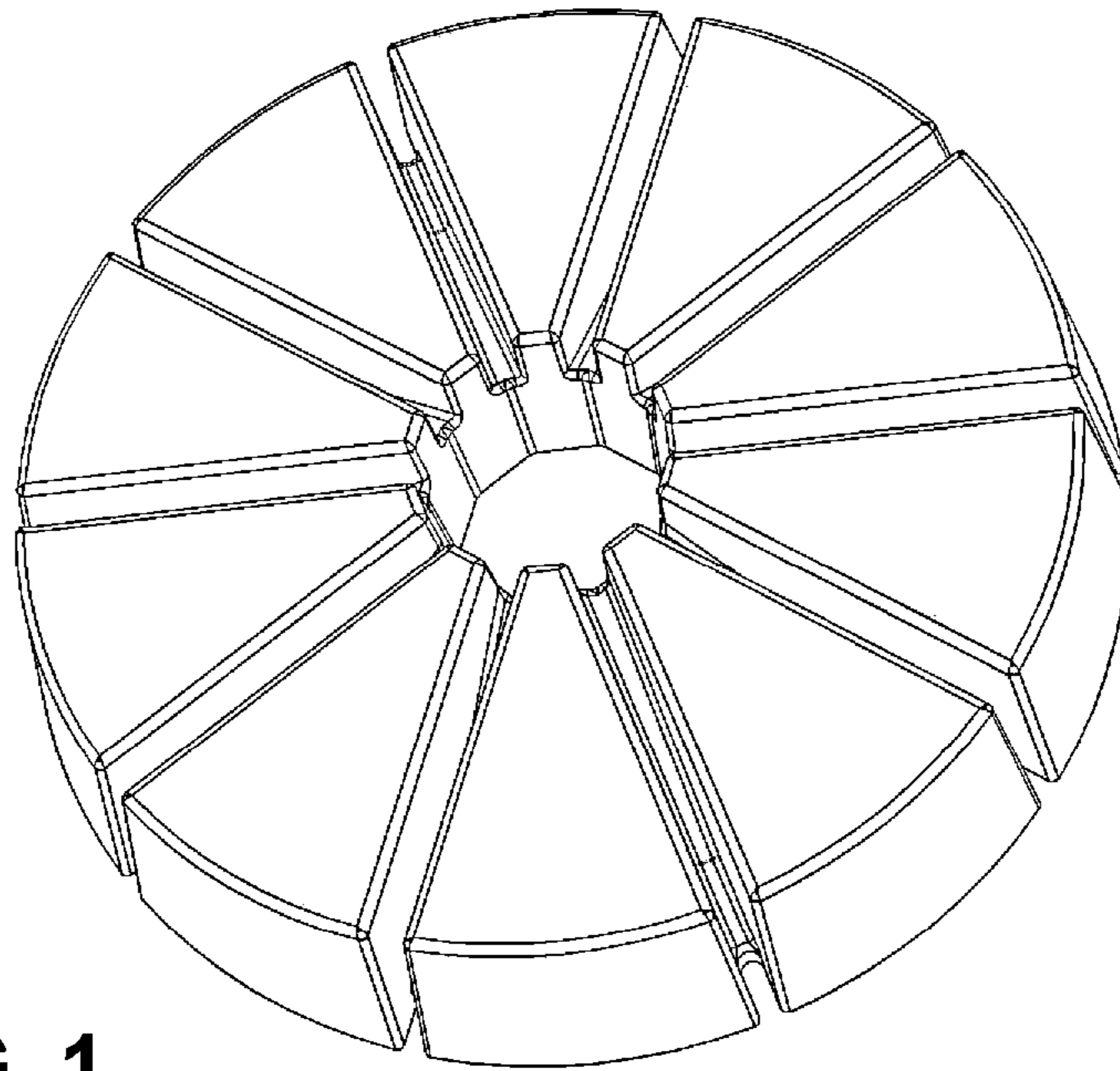
**1 Claim, 3 Drawing Sheets**

(56) **References Cited**

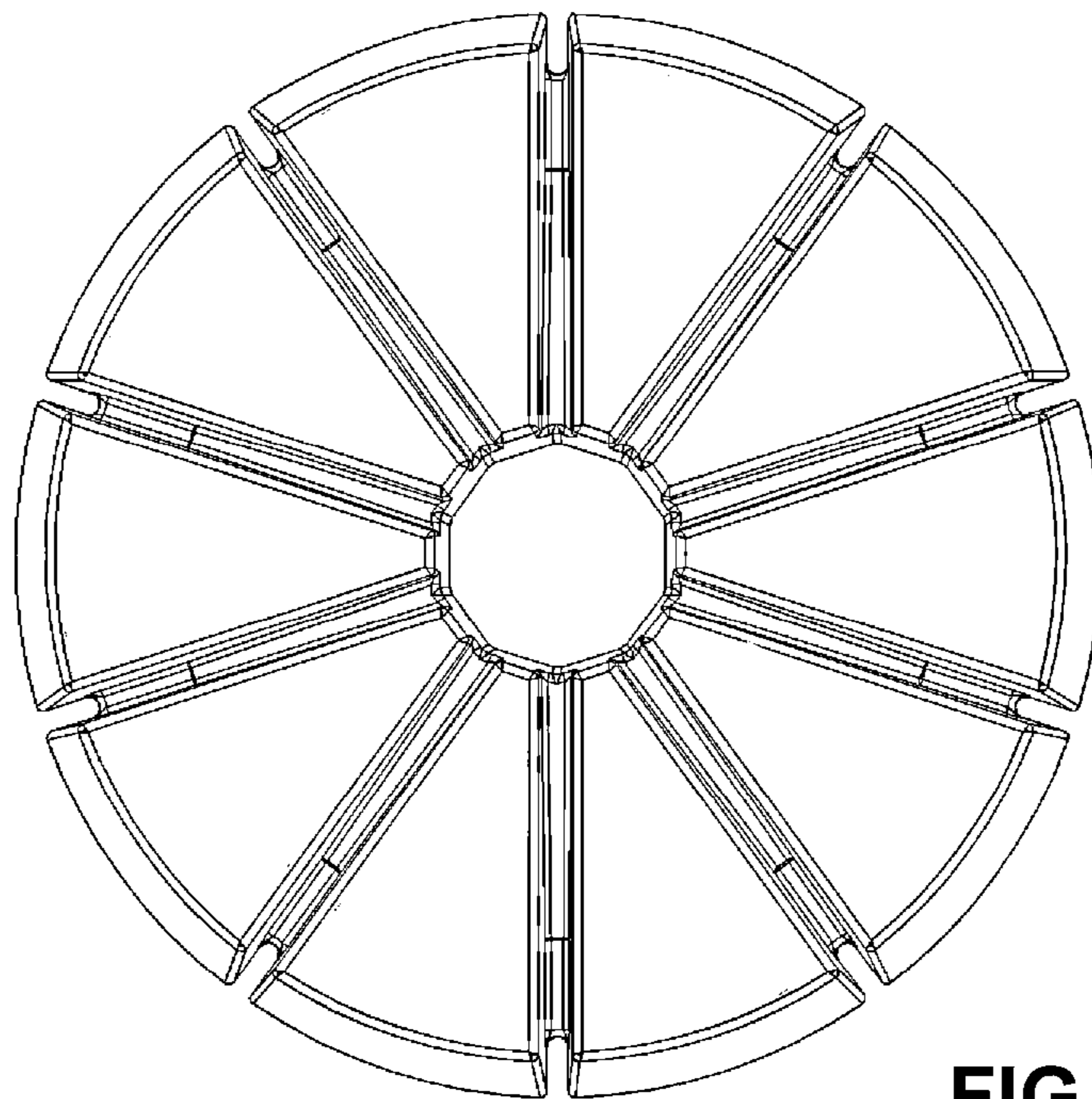
**U.S. PATENT DOCUMENTS**

D20,420	S *	12/1890	Loew	.....	D1/121
D34,520	S *	5/1901	Simon	.....	D1/121
D50,827	S *	5/1917	Ward	.....	D1/121
D99,996	S *	6/1936	Brooks	.....	D1/121

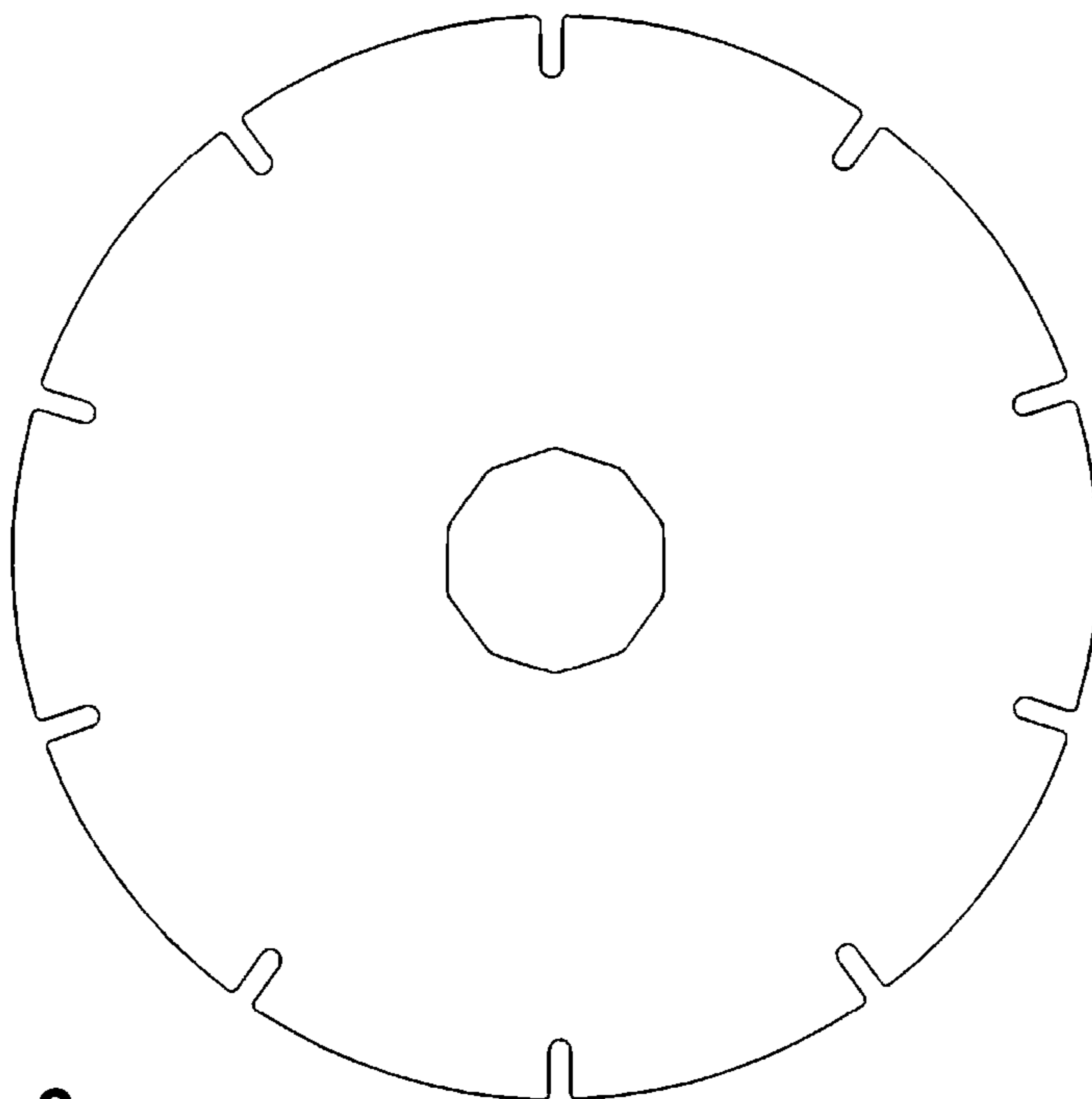




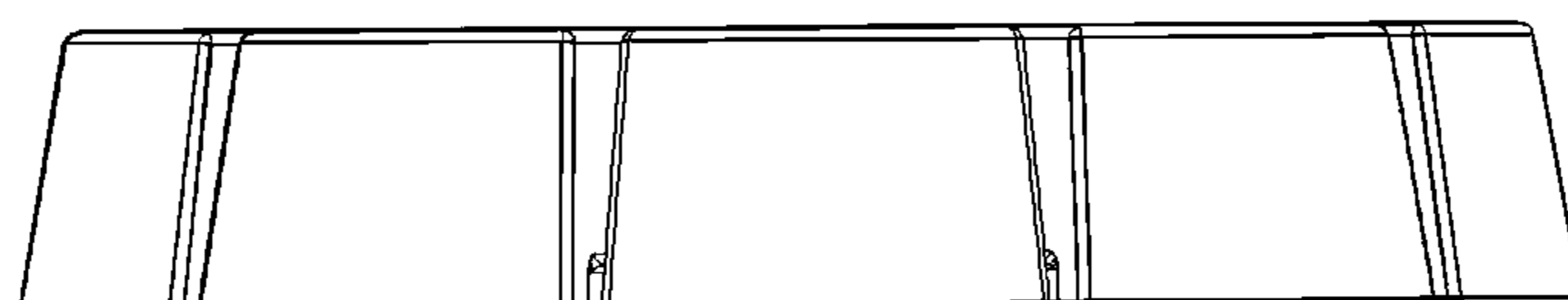
**FIG. 1**



**FIG. 2**



**FIG. 3**



**FIG. 4**



**FIG. 5**

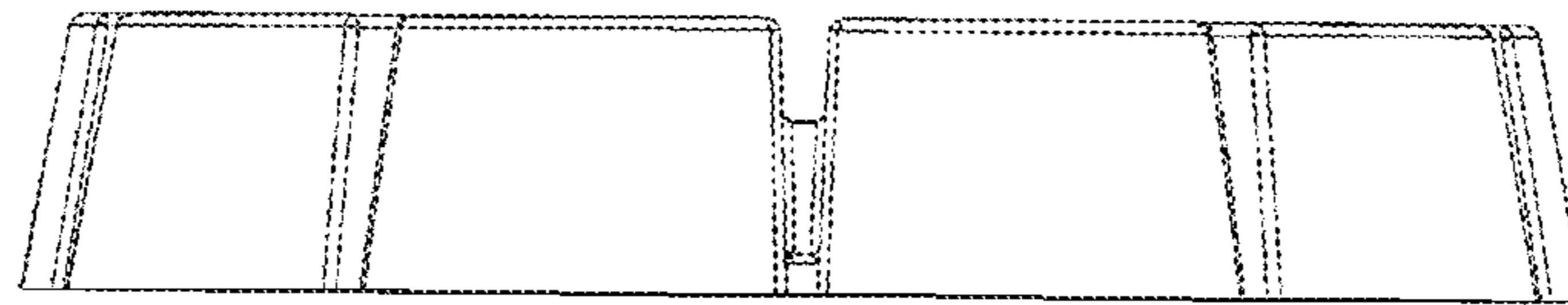


FIG. 6

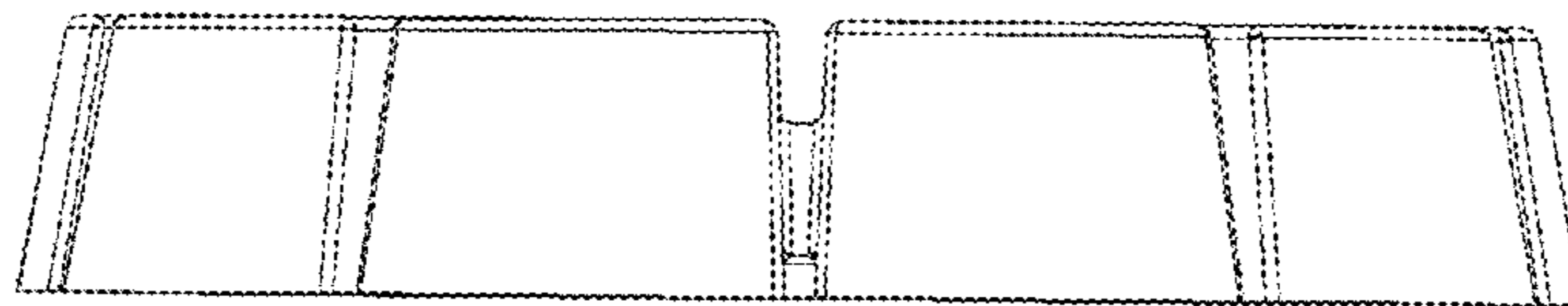


FIG. 7