



US0D1038562S

(12) **United States Design Patent**
Eldridge

(10) **Patent No.:** **US D1,038,562 S**

(45) **Date of Patent:** **** Aug. 6, 2024**

(54) **SCRAPER**

(71) Applicant: **William Eldridge**, Tewksbury, MA
(US)

(72) Inventor: **William Eldridge**, Tewksbury, MA
(US)

(**) Term: **15 Years**

(21) Appl. No.: **29/871,835**

(22) Filed: **Feb. 28, 2023**

(51) **LOC (14) Cl.** **07-05**

(52) **U.S. Cl.**
USPC **D32/40**

(58) **Field of Classification Search**
USPC D32/46, 48
CPC B26B 5/005; A47L 13/08; A47L 13/022
See application file for complete search history.

(56) **References Cited**

U.S. PATENT DOCUMENTS

D243,060	S	*	1/1977	Graham	D32/49
4,455,705	A	*	6/1984	Graham	A47L 13/44 15/144.1
D298,072	S	*	10/1988	Stirling	D32/40
4,777,694	A	*	10/1988	Young	A47L 1/06 15/245
4,847,938	A	*	7/1989	Unger	A47L 1/06 15/245
D396,910	S	*	8/1998	Henke	D32/49
D463,082	S	*	9/2002	Harrington	D32/46
6,625,840	B1	*	9/2003	Hansen	A47L 1/06 15/236.01
D515,758	S	*	2/2006	Turchi	D32/45
D542,491	S	*	5/2007	Barnes, Jr.	D32/49
D564,161	S	*	3/2008	Talesfore	D32/41
D627,532	S	*	11/2010	Yang	D32/41
D632,857	S	*	2/2011	Sgroi	D32/41
D649,314	S	*	11/2011	Quinlan	D32/41
8,321,990	B2	*	12/2012	Lee	A47L 13/44 15/209.1

8,726,451	B2	*	5/2014	Patterson	A47L 1/06 15/257.01
D715,009	S	*	10/2014	Curien	D32/41
D773,141	S	*	11/2016	Chitayat	D32/41
D779,143	S	*	2/2017	Sgroi, Jr.	D32/49
D936,317	S	*	11/2021	Libman	D32/41
D998,272	S	*	9/2023	Liu	D32/41

FOREIGN PATENT DOCUMENTS

CN 306783811 * 8/2021

OTHER PUBLICATIONS

Unger Glass Squeegee, Amazon website 2024, site visited Apr. 19, 2024, https://www.amazon.com/Unger-Professional-Grip-Swivel-Squeegee/dp/B01G5WNQB6?ref_=ast_sto_dp&th=1.*

* cited by examiner

Primary Examiner — John R Yeh

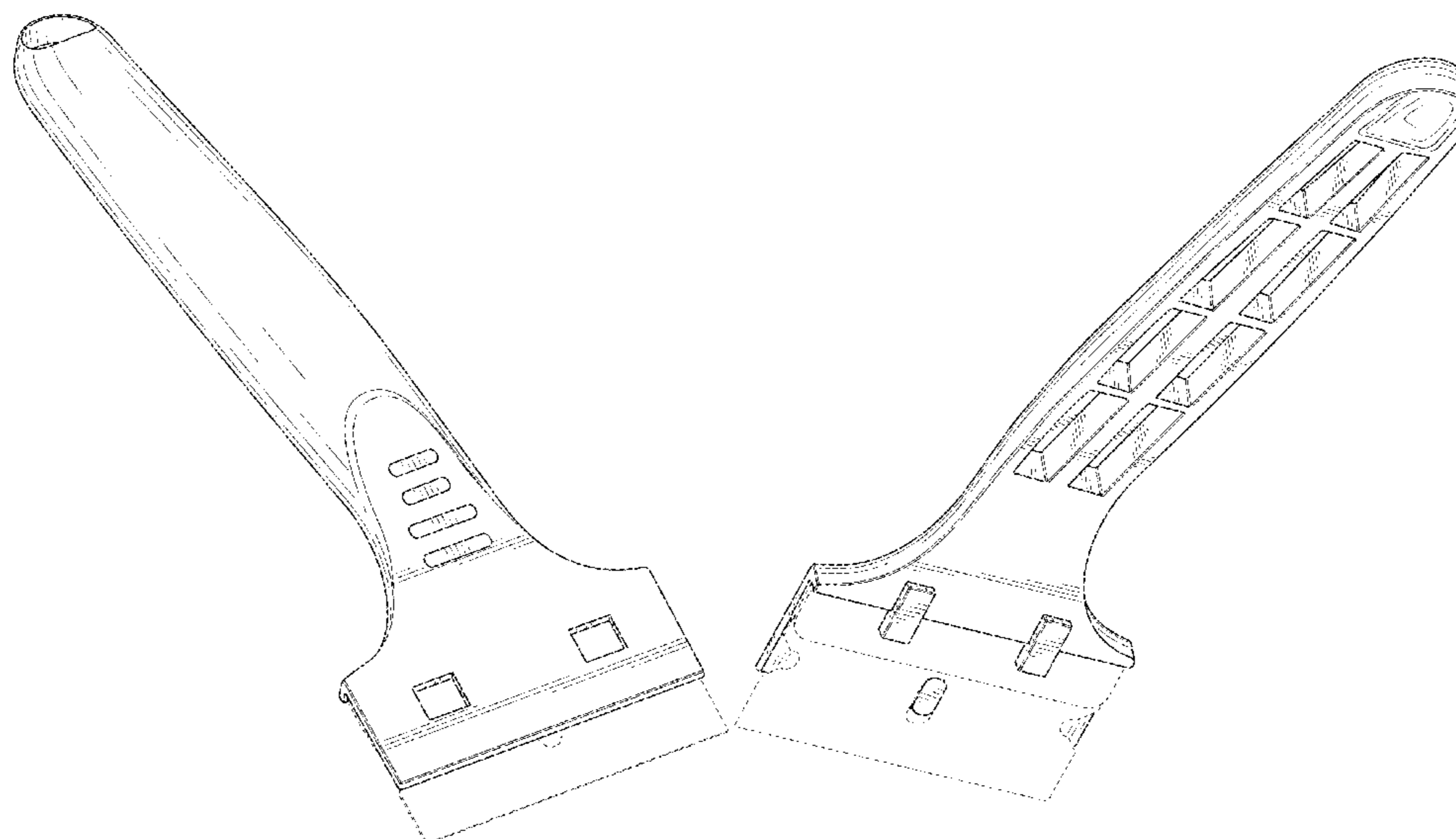
(57) **CLAIM**

I claim the ornamental design for scraper, as shown and described.

DESCRIPTION

FIG. 1 is a left view of a scraper showing my new design; FIG. 2 is a right view thereof; FIG. 3 is a top plan view thereof; FIG. 4 is a bottom plan view thereof; FIG. 5 is a front view thereof; FIG. 6 is a rear plan view thereof; FIG. 7 is a top-front perspective view showing a blade in place thereof; FIG. 8 is a rear-bottom perspective view showing a blade in place thereof; FIG. 9 is a rear-bottom view thereof; and, FIG. 10 is a top-front perspective view thereof. The broken lines in the drawings illustrate portions of the scraper which form no part of the claimed design.

1 Claim, 10 Drawing Sheets



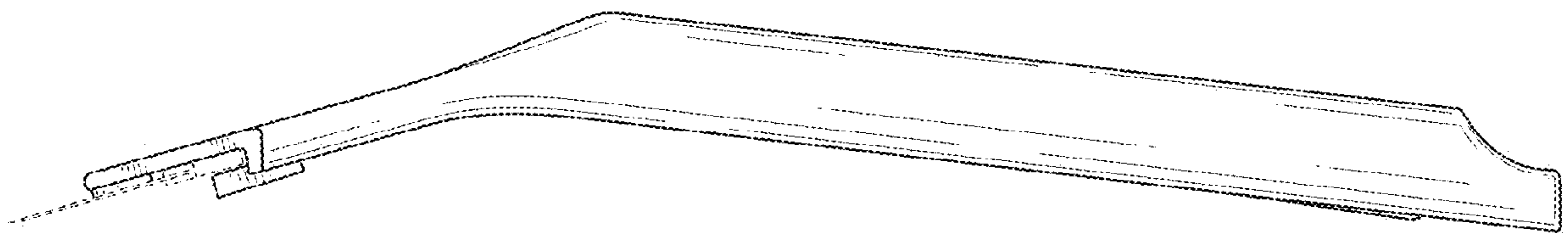


FIG. 1

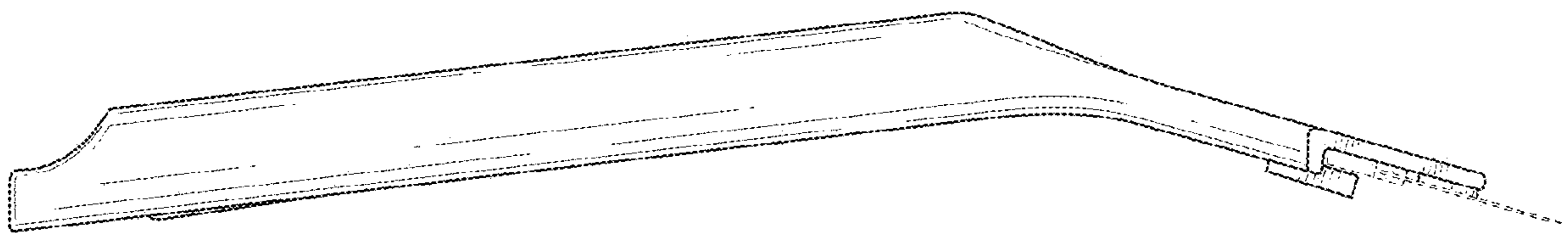


FIG. 2

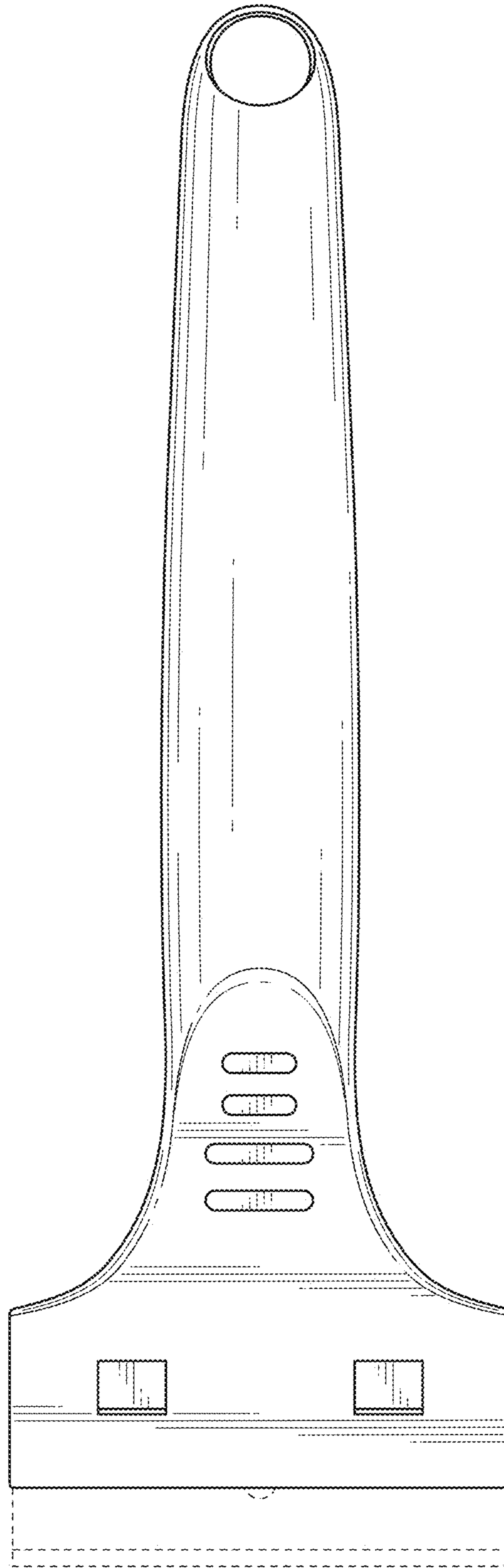


FIG. 3

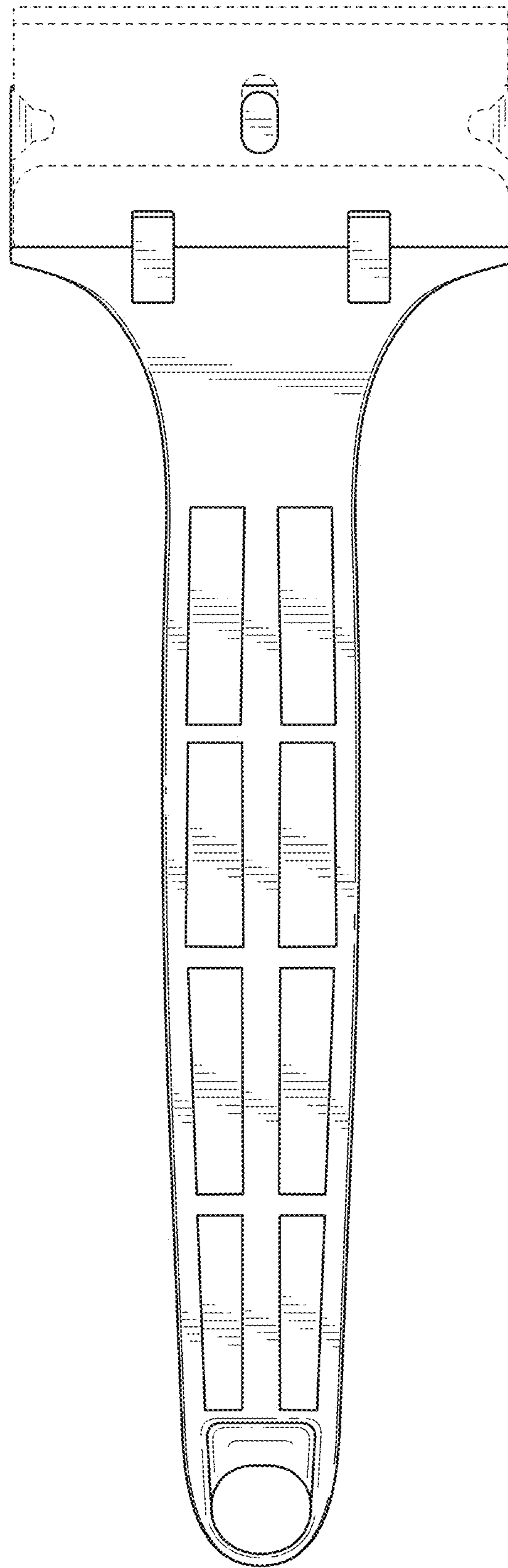


FIG. 4

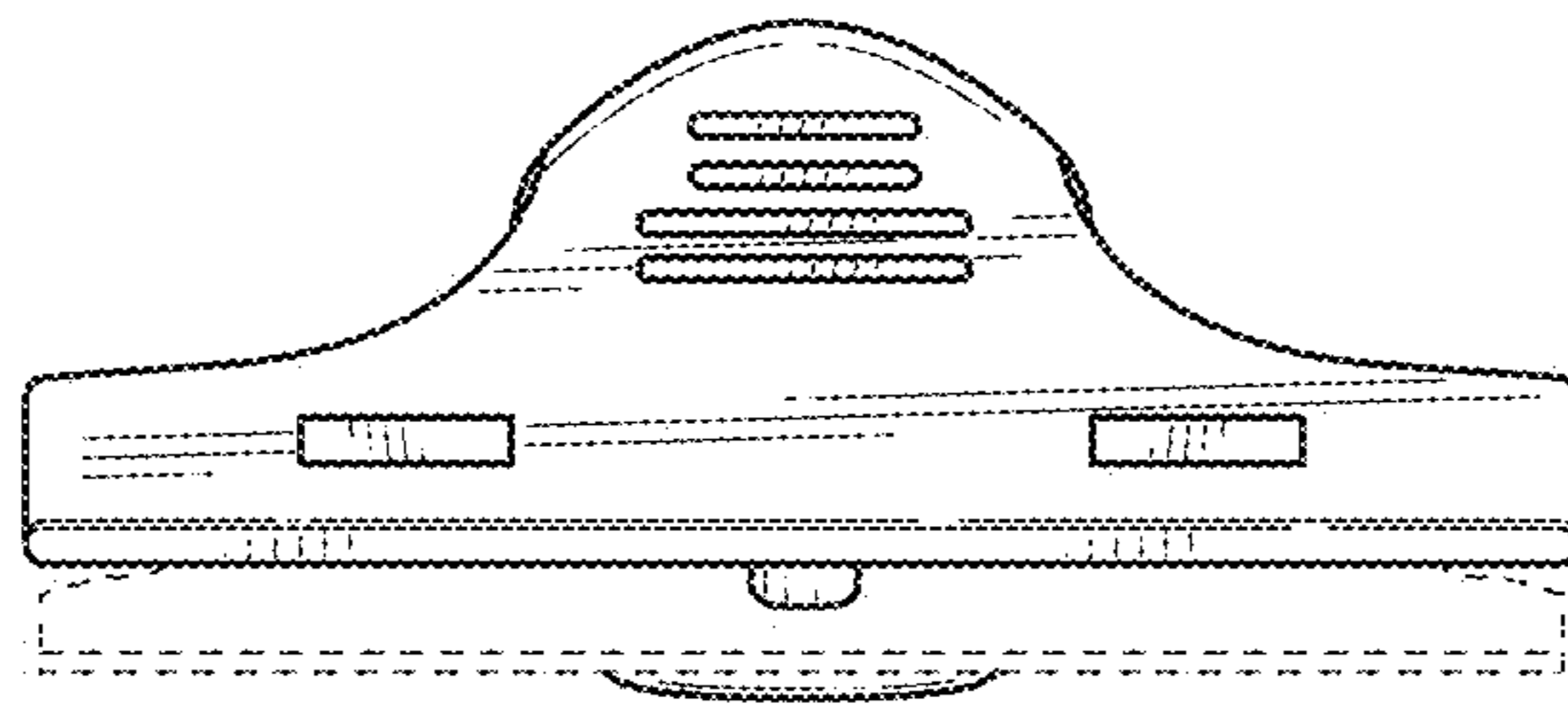


FIG. 5

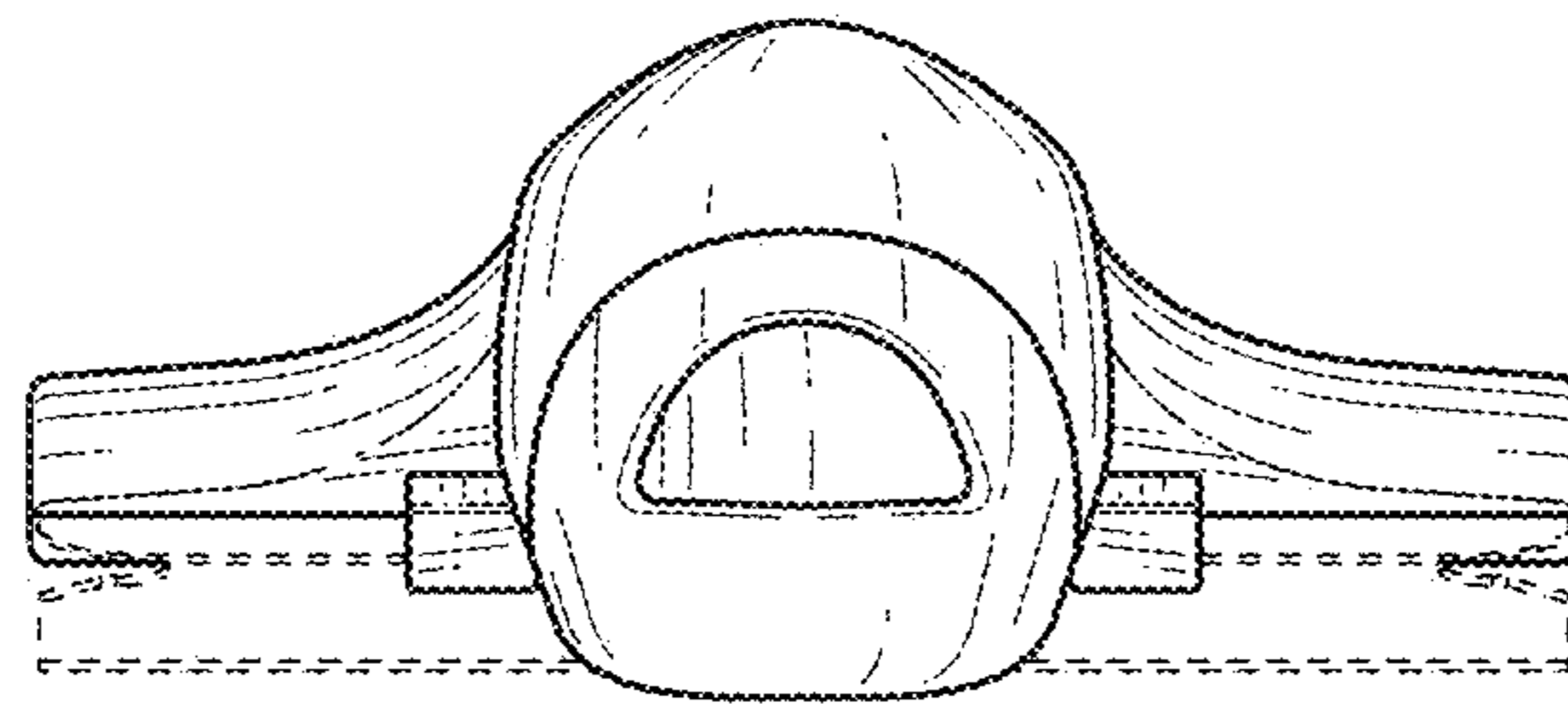


FIG. 6

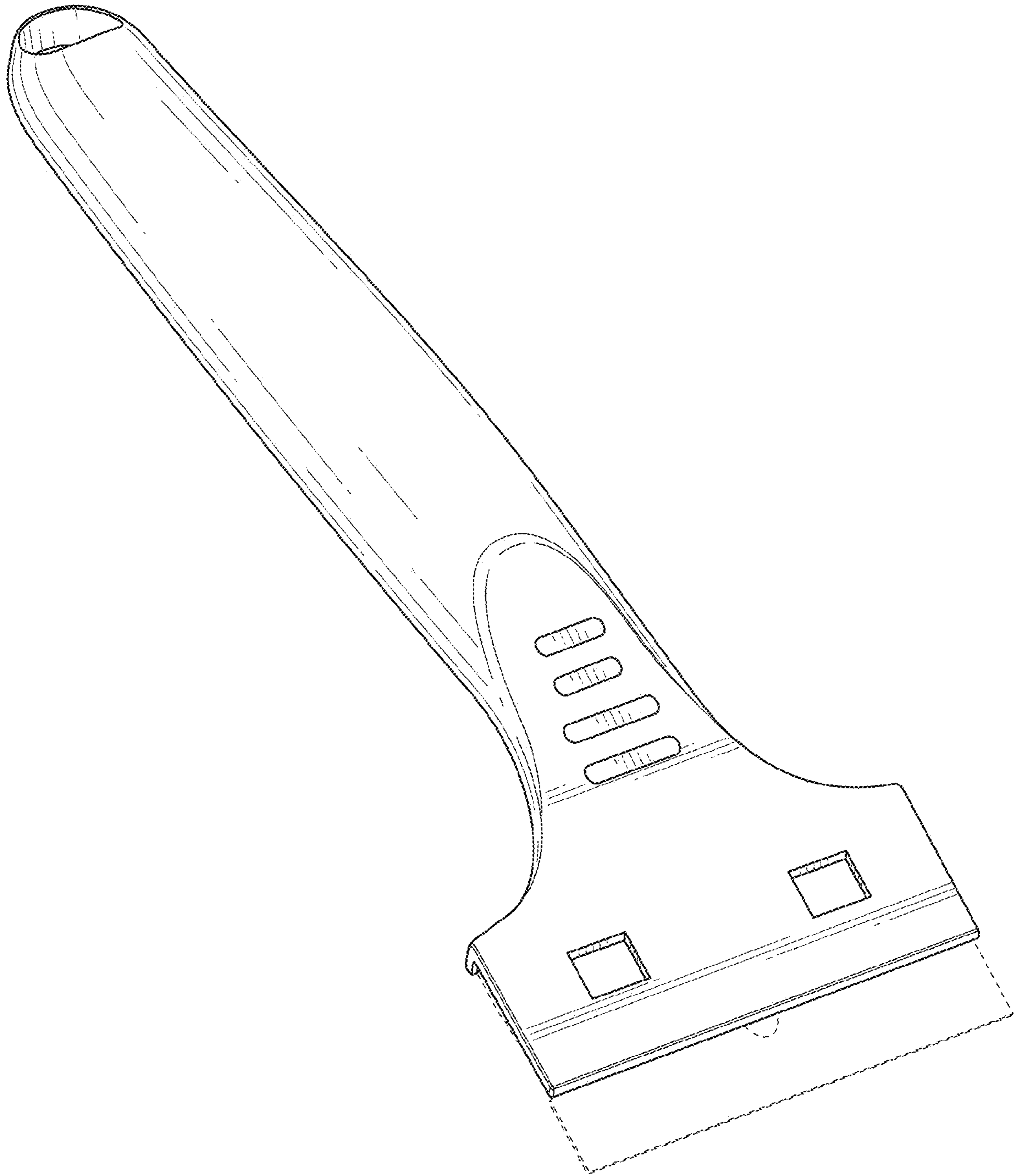


FIG. 7

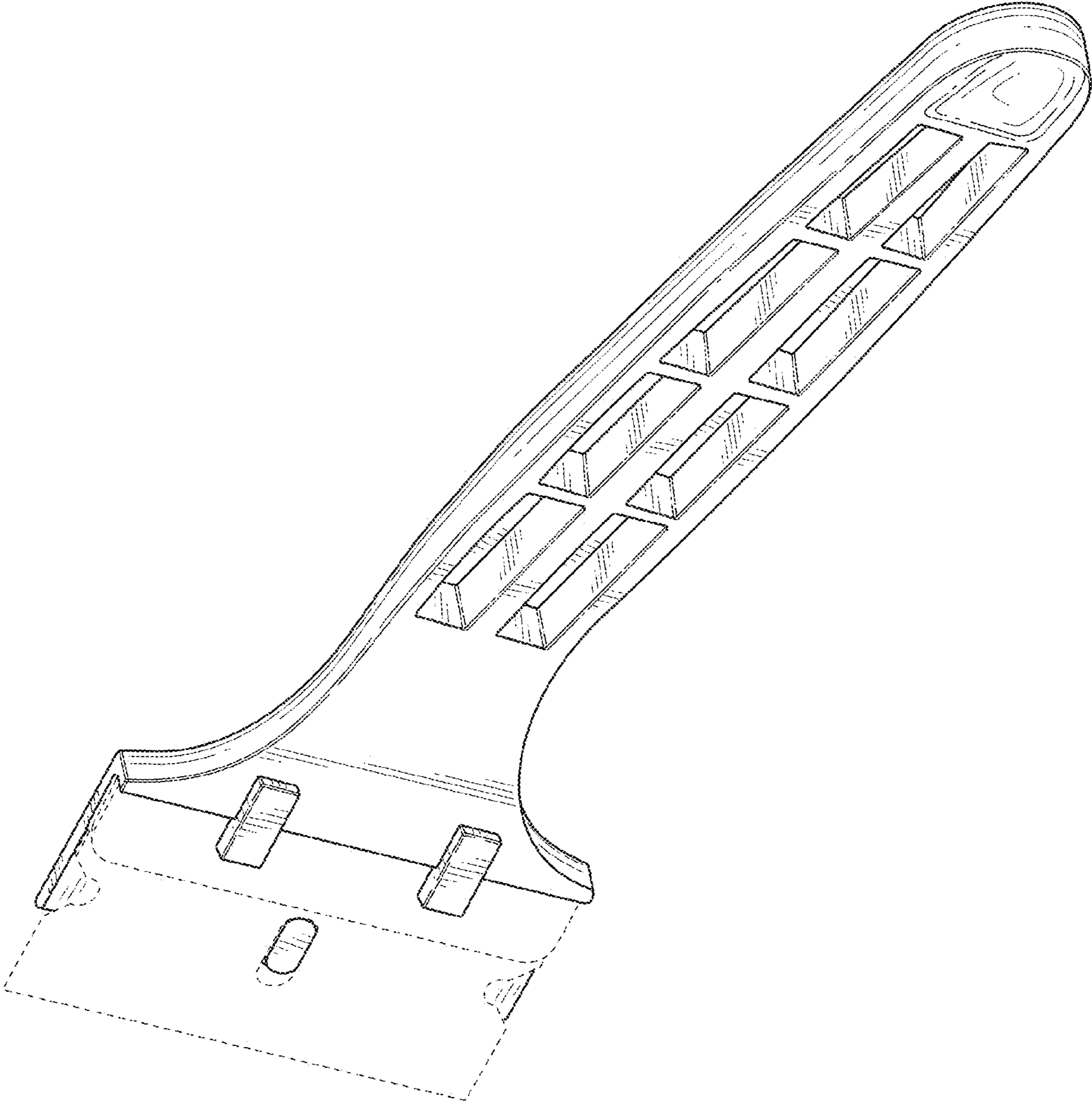


FIG. 8

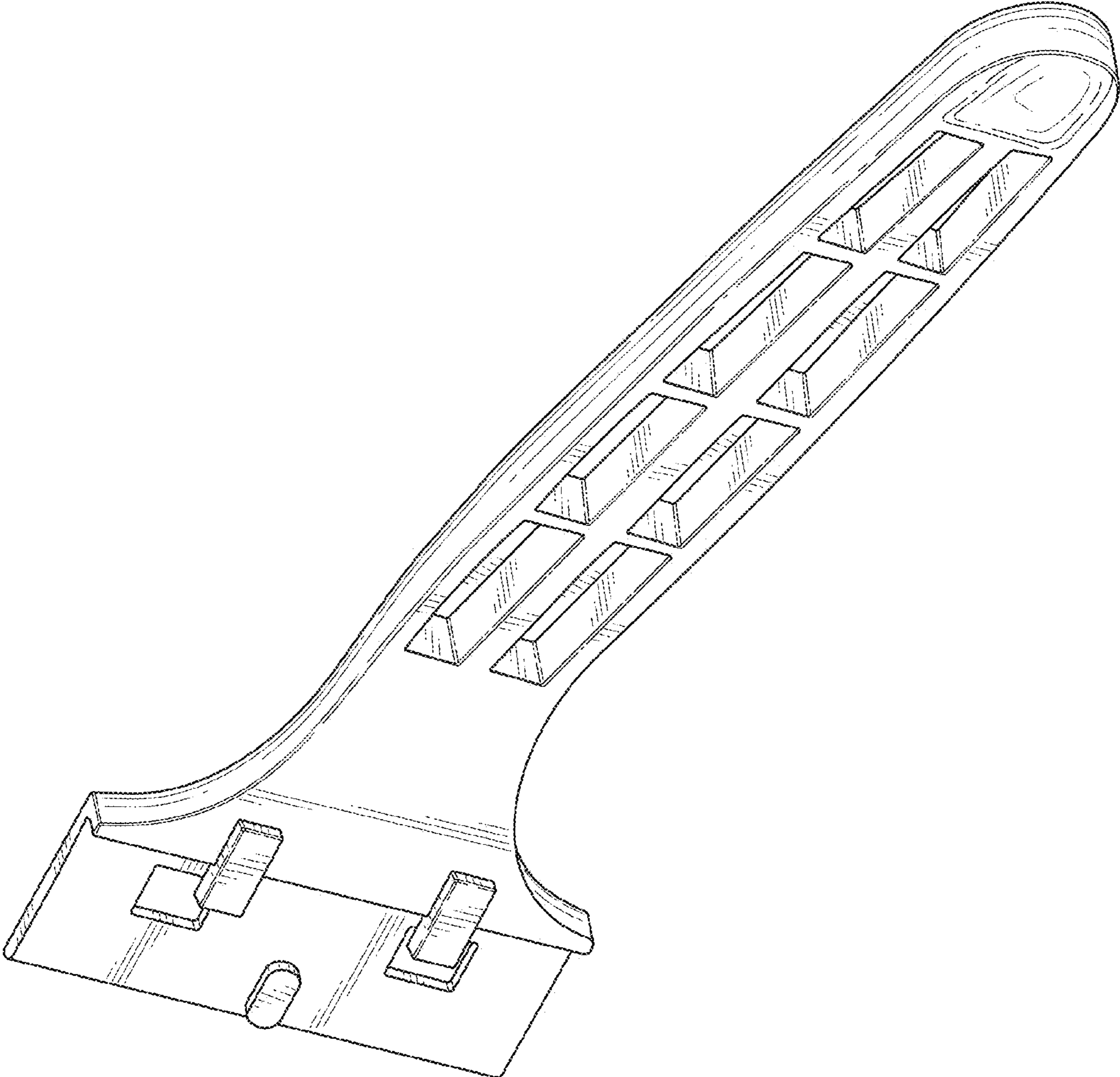


FIG. 9

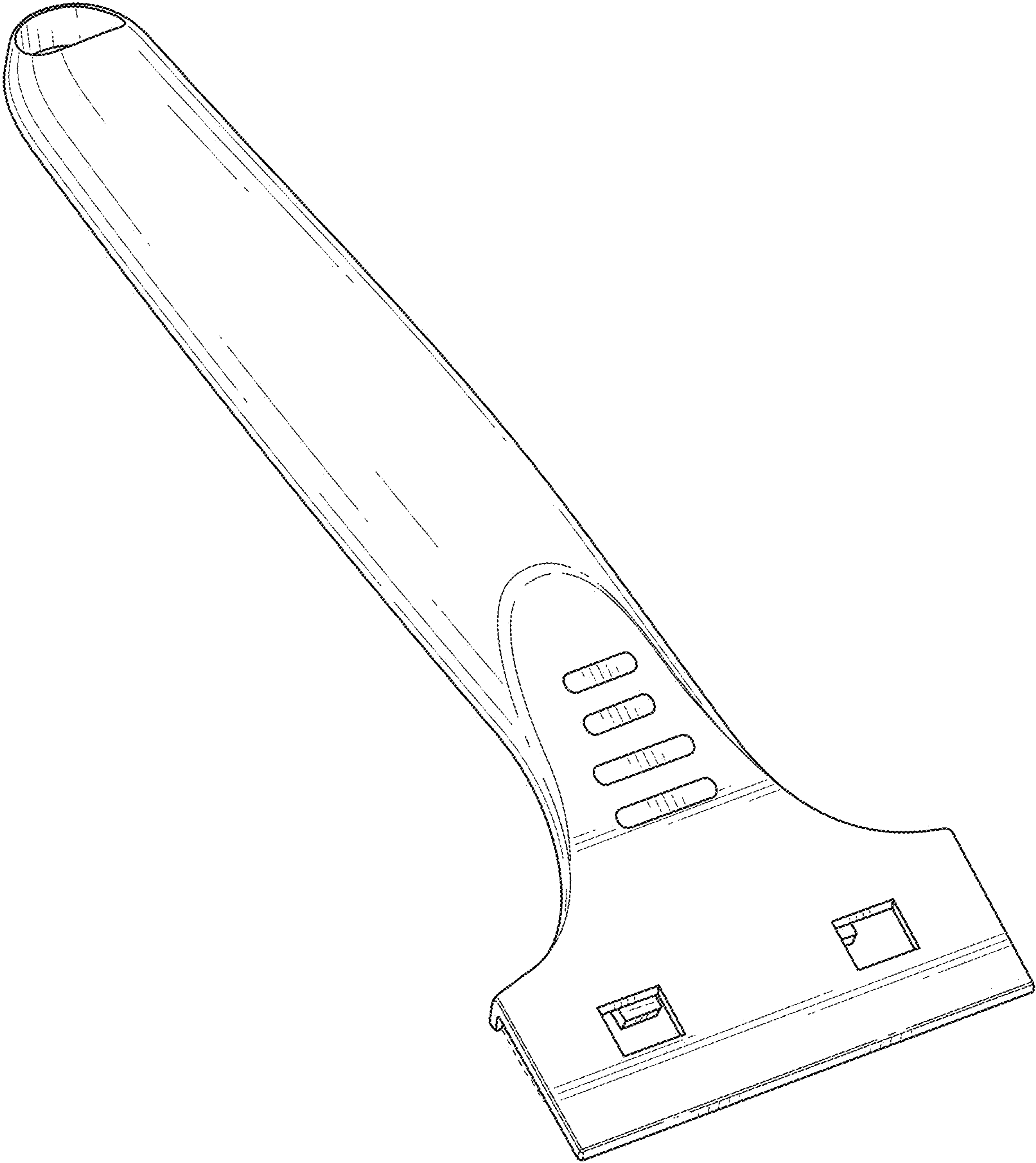


FIG. 10