



US0D1038537S

(12) **United States Design Patent** (10) **Patent No.:** **US D1,038,537 S**
Veness et al. (45) **Date of Patent:** **** Aug. 6, 2024**

(54) **PET KENNEL**
(71) Applicant: **Doskocil Manufacturing Company, Inc., Arlington, TX (US)**
(72) Inventors: **David Veness, Fort Worth, TX (US); Michael Harper, Fort Worth, TX (US); Ryan Paxson, Elk Rapids, MI (US); Jill Jackson, Arlington, TX (US)**

D701,652 S * 3/2014 Roberts D30/108
D705,496 S * 5/2014 Veness D30/108
D713,099 S * 9/2014 Chance D30/109
D722,209 S * 2/2015 Carlin, Jr. D30/117
D816,281 S * 4/2018 Stravitz D30/118
D939,790 S * 12/2021 Paxson D30/161
D952,262 S * 5/2022 Feng D30/108
2012/0085292 A1* 4/2012 Lush A01K 31/08
119/431

(73) Assignee: **DOSKOCIL MANUFACTURING COMPANY, INC., Arlington, TX (US)**

(**) Term: **15 Years**

(21) Appl. No.: **29/831,706**

(22) Filed: **Mar. 22, 2022**

(51) **LOC (14) Cl.** **30-02**

(52) **U.S. Cl.**
USPC **D30/108; D30/115**

(58) **Field of Classification Search**
USPC D30/108, 109, 114, 118, 115
CPC A01K 1/033; A01K 1/035; A01K 1/034;
A01K 1/0245

See application file for complete search history.

(56) **References Cited**

U.S. PATENT DOCUMENTS

1,415,397 A * 5/1922 Risty A01K 31/002
119/494
1,533,905 A * 4/1925 Stauffer A01K 31/18
238/1
1,911,921 A * 5/1933 Nijveldt A01K 31/19
119/438
1,980,631 A * 11/1934 Overholt A01K 31/18
119/478
6,182,611 B1 * 2/2001 Marchioro A01K 1/0245
D30/114
D471,676 S * 3/2003 Kinder D30/108
D605,367 S * 12/2009 Northrop D30/117
D653,403 S * 1/2012 Hayward D30/108
D676,613 S * 2/2013 Chiu D30/117

OTHER PUBLICATIONS

Petmate Two Door or Top Load Pet Kennel, posted at amazon.com, earliest date reviewed Mar. 9, 2022, [online], acquired on Mar. 9, 2024, Available on internet. url:https://www.amazon.com/Petmate-Carrier-Inches-Holds-Pounds/dp/B09LXSD5HV/ref=cm_cr_arp_d_product_top?ie=UTF8&th=1 (Year: 2022).*

* cited by examiner

Primary Examiner — Shannon W Morgan
Assistant Examiner — Aula Soroush
(74) *Attorney, Agent, or Firm* — GLOBAL IP COUNSELORS, LLP

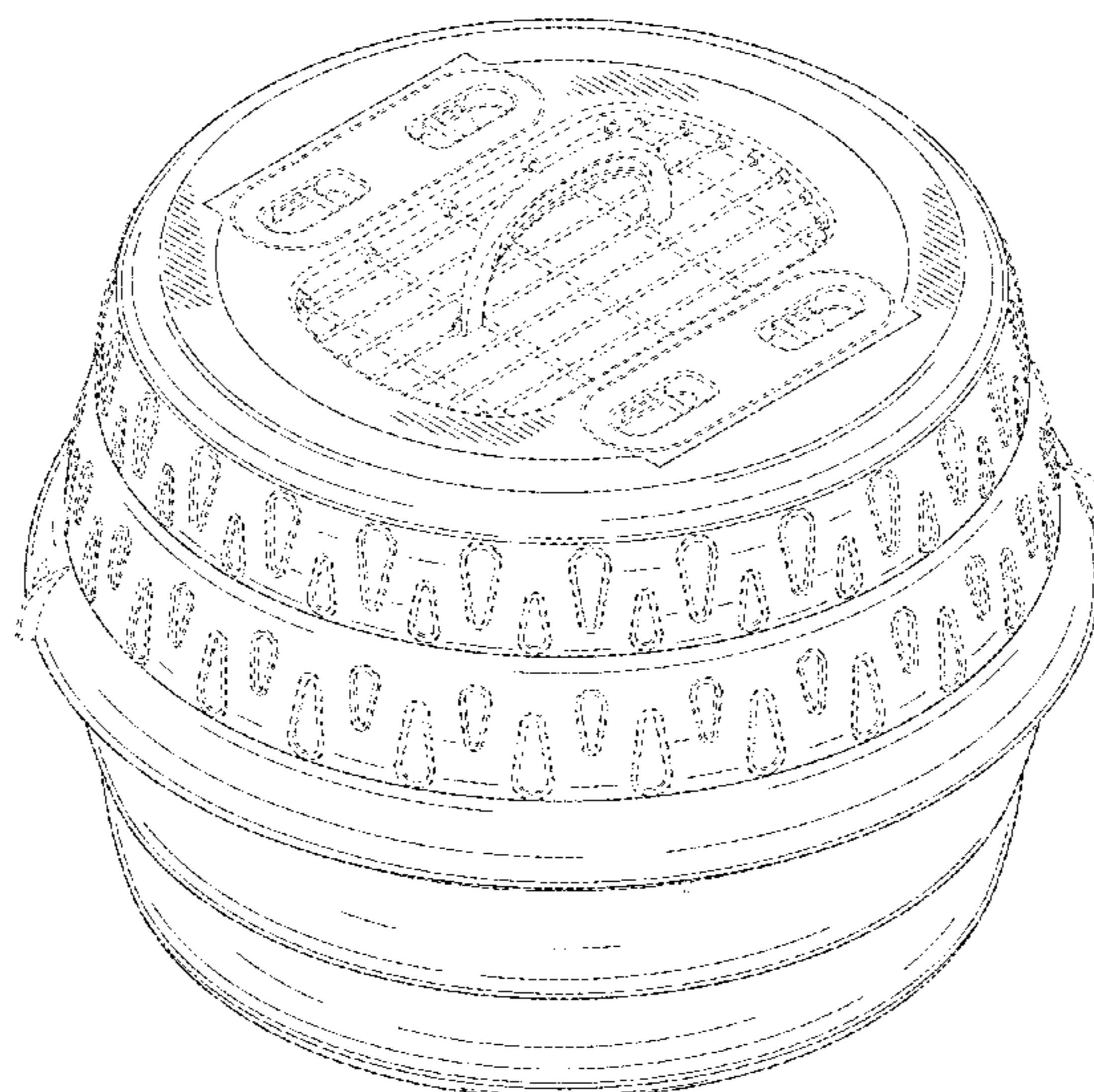
(57) **CLAIM**

The ornamental design for a pet kennel, as shown and described.

DESCRIPTION

FIG. 1 is a top perspective view of a pet kennel in accordance with our new design;
FIG. 2 is a bottom perspective view thereof;
FIG. 3 is a top view thereof;
FIG. 4 is a bottom view thereof;
FIG. 5 is a left side view thereof;
FIG. 6 is a right side view thereof;
FIG. 7 is a front view thereof; and,
FIG. 8 is a rear view thereof.
The broken lines in the drawings illustrate portions of the pet kennel form no part of the claimed design.

1 Claim, 8 Drawing Sheets



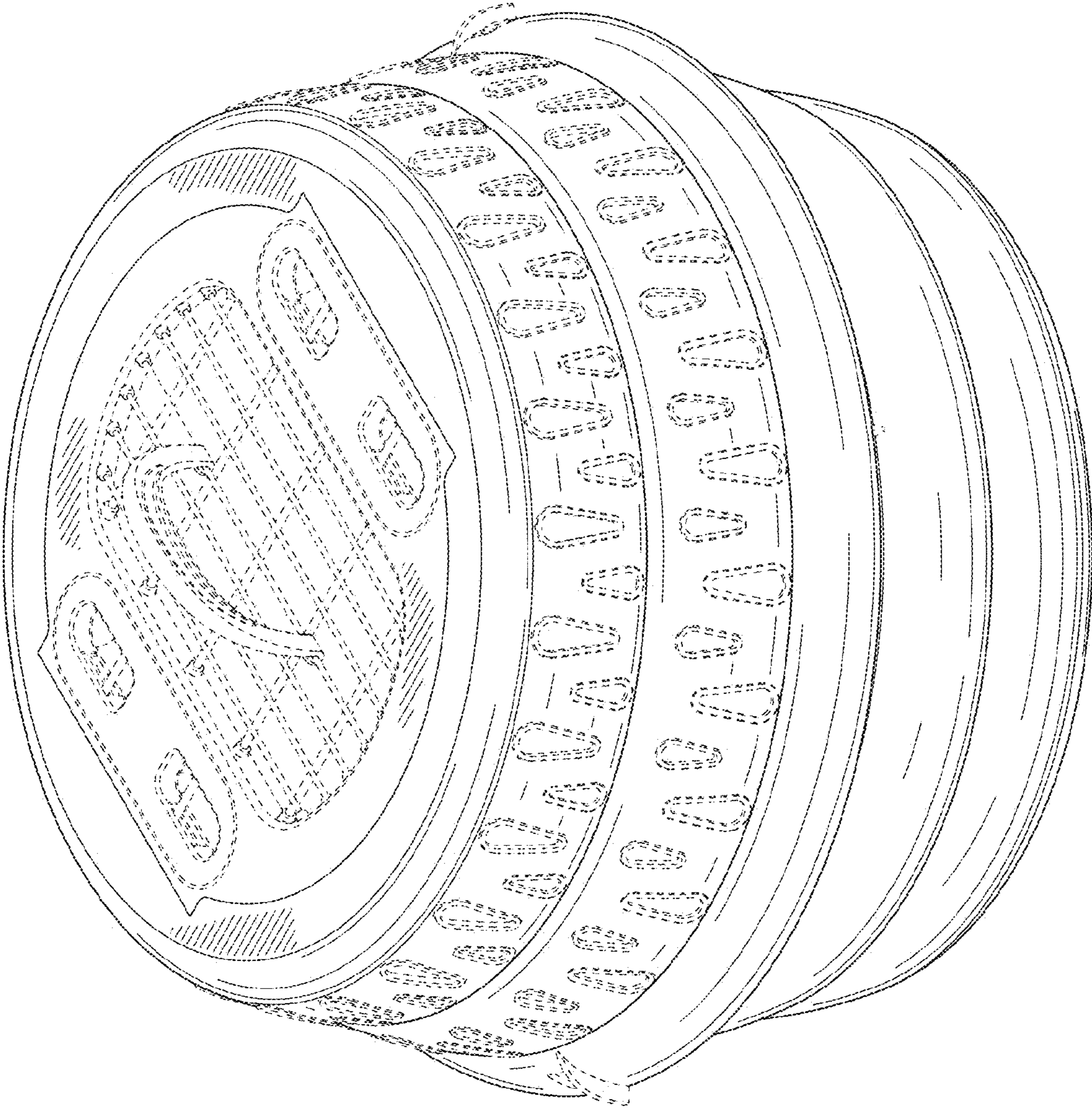


FIG. 1

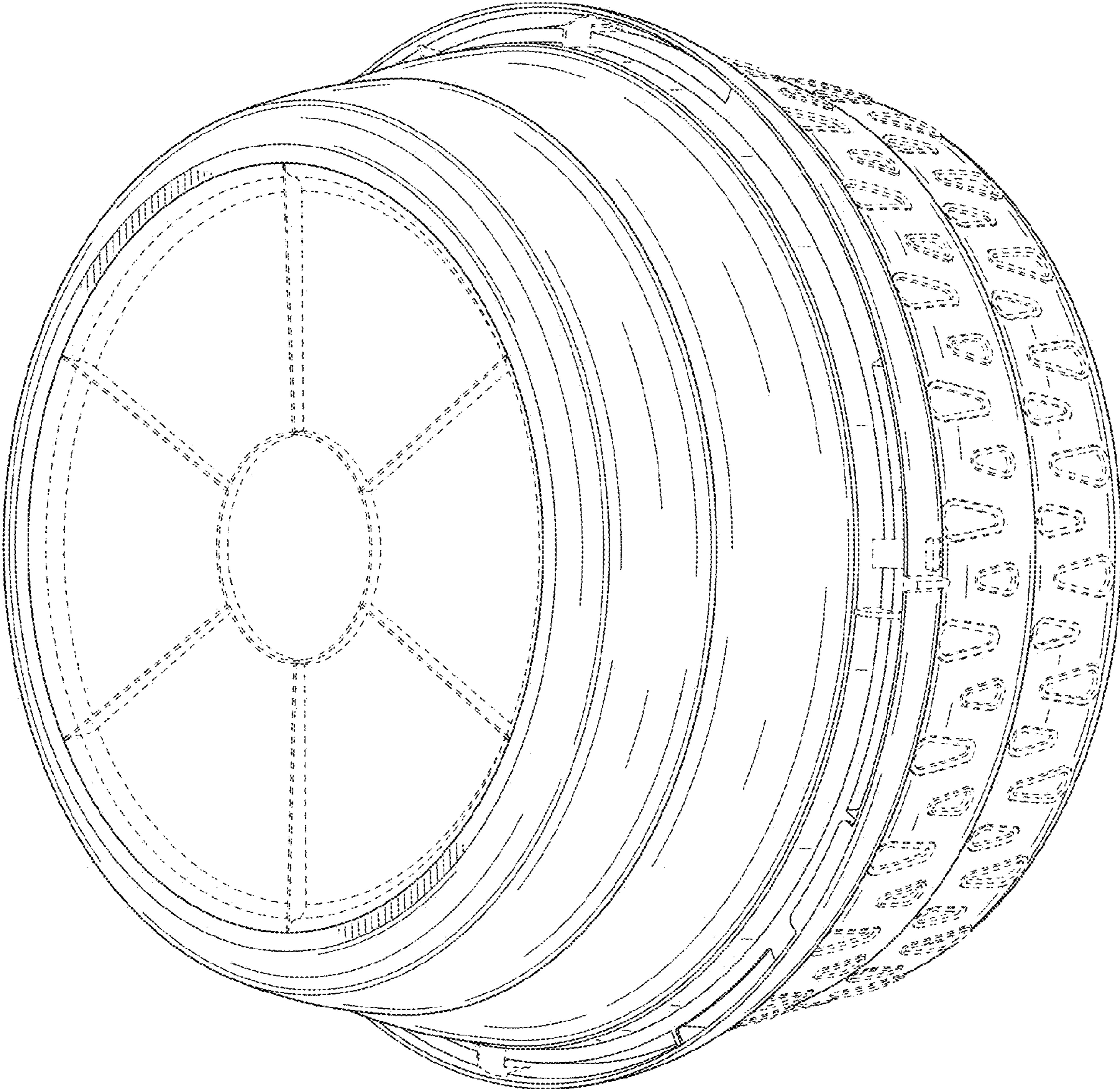


FIG. 2

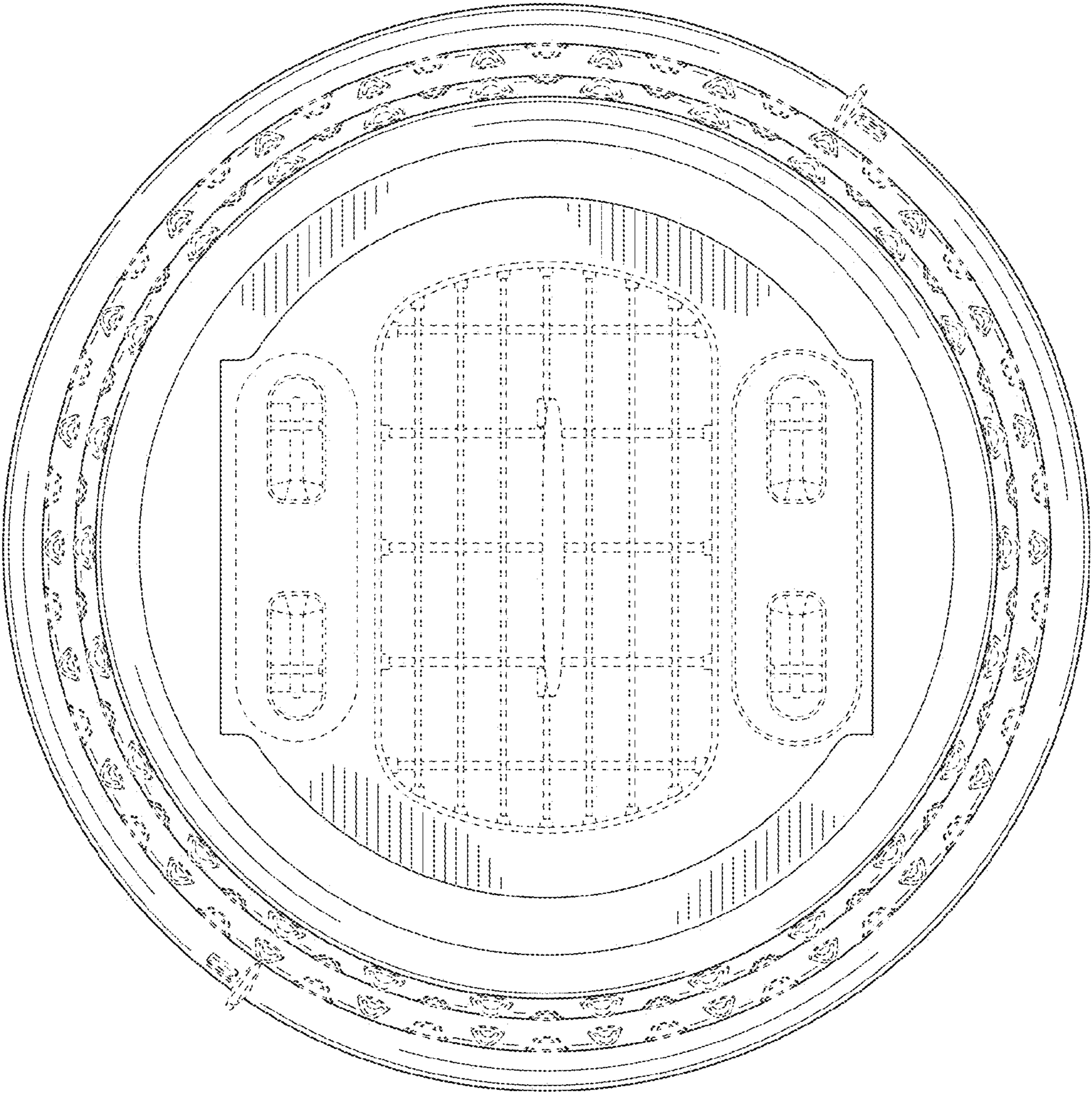


FIG. 3

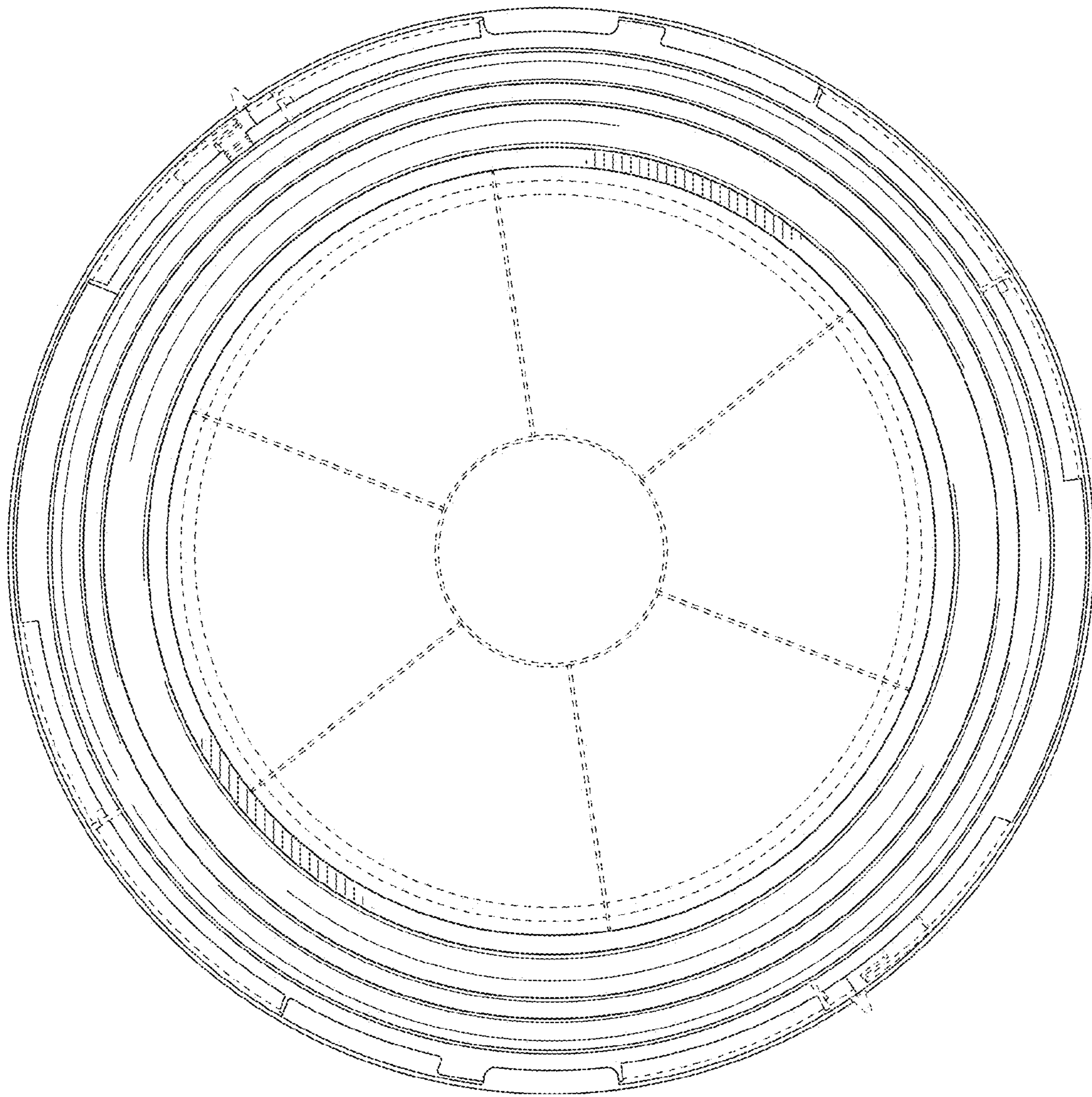


FIG. 4

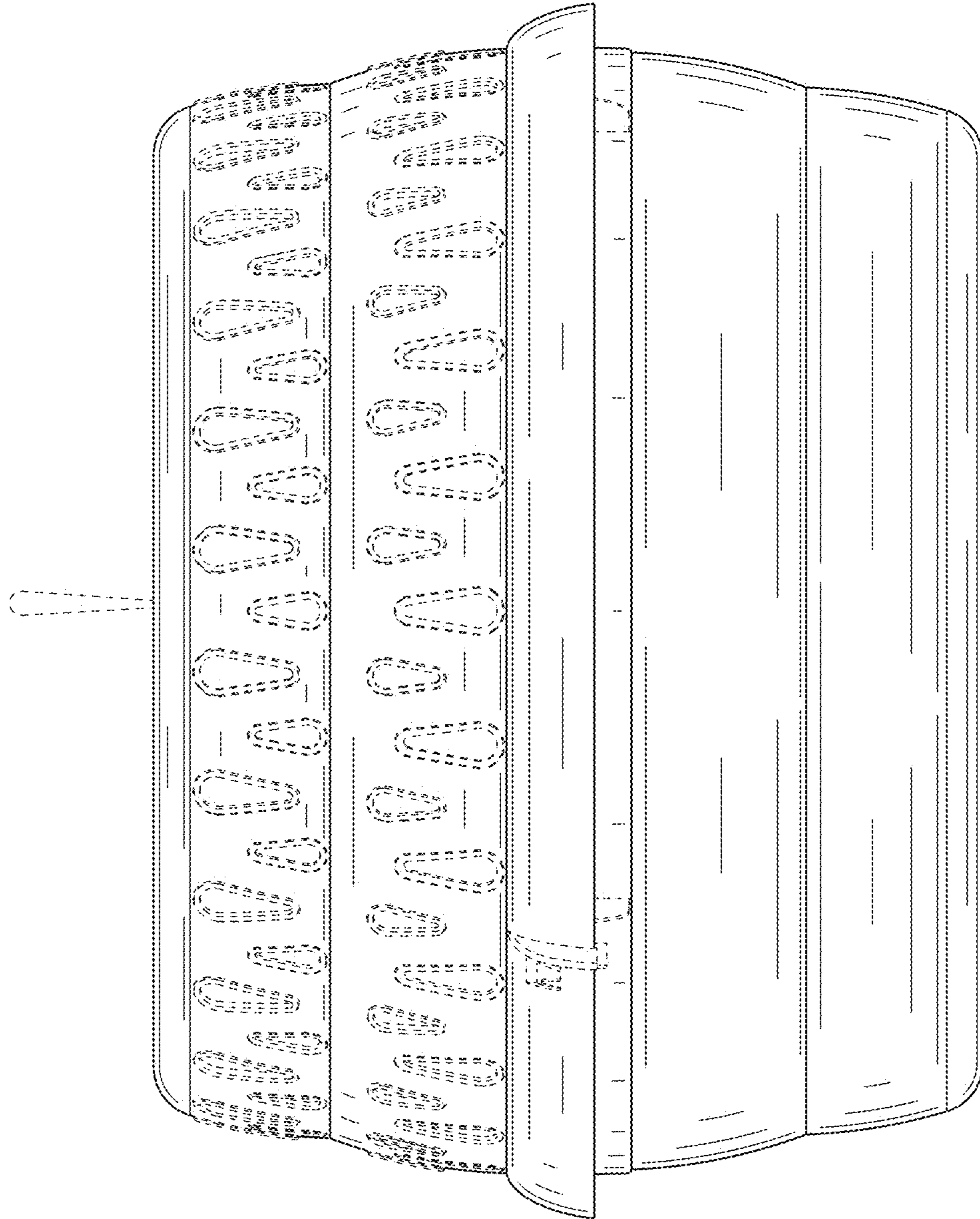


FIG. 5

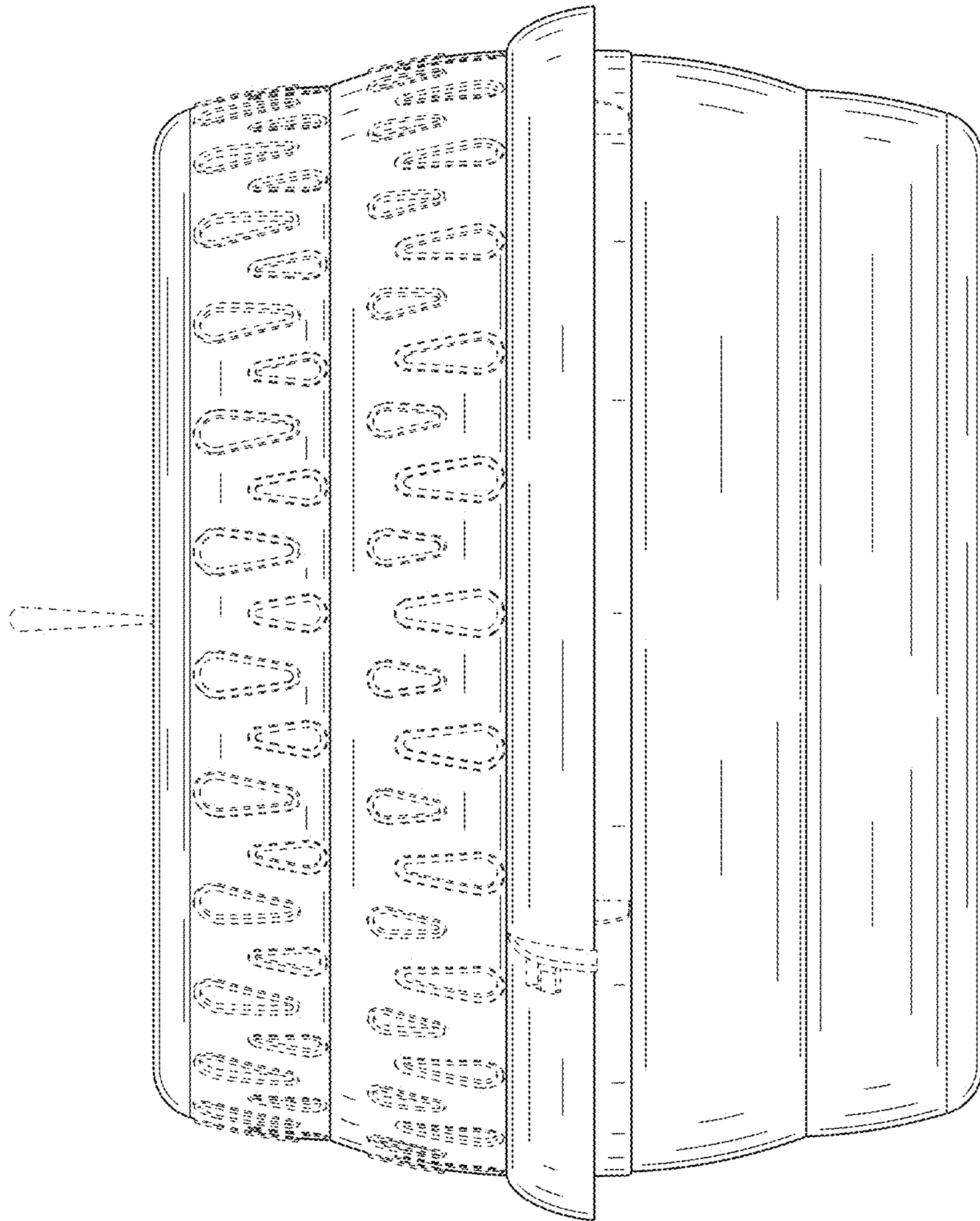


FIG. 6

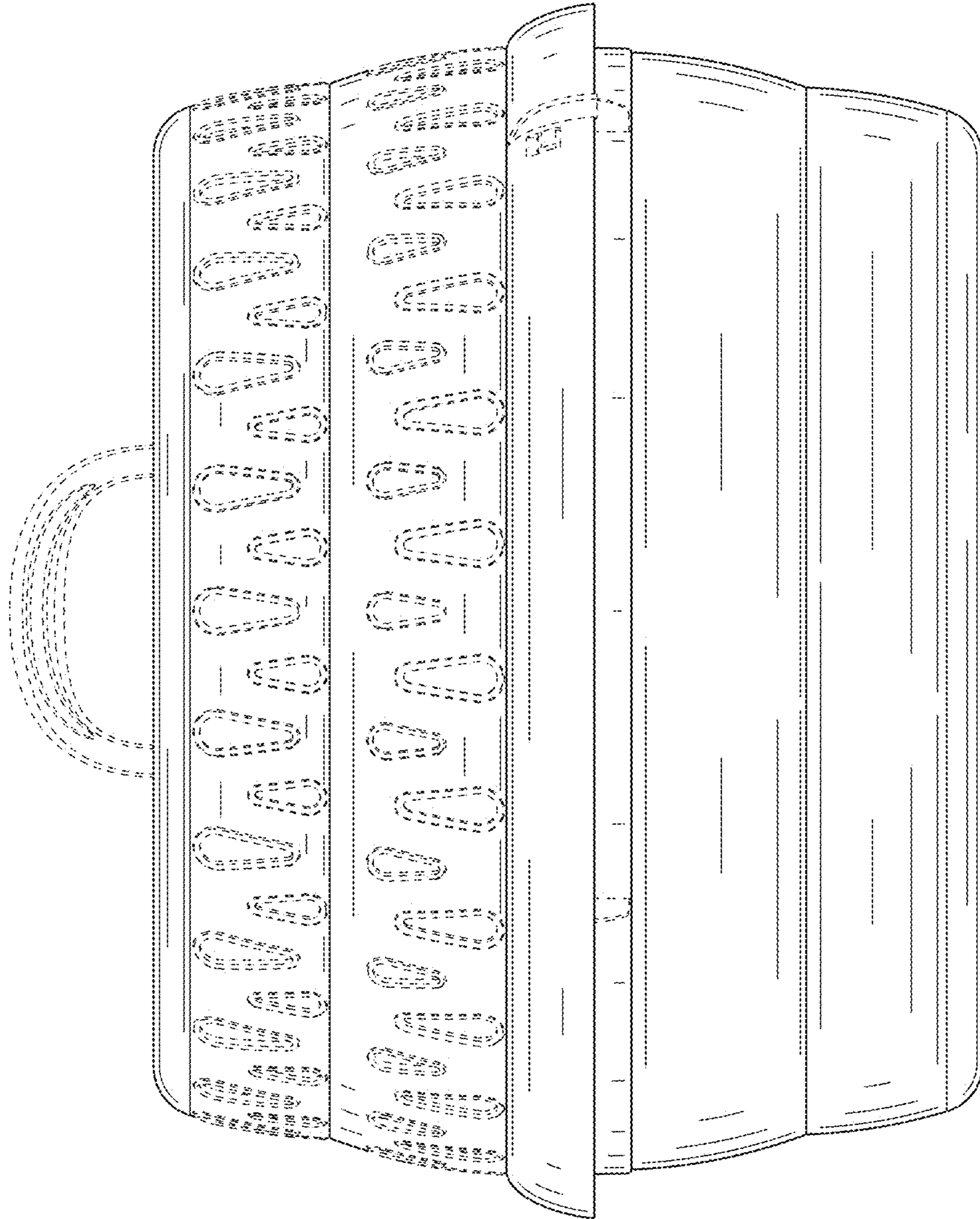


FIG. 7

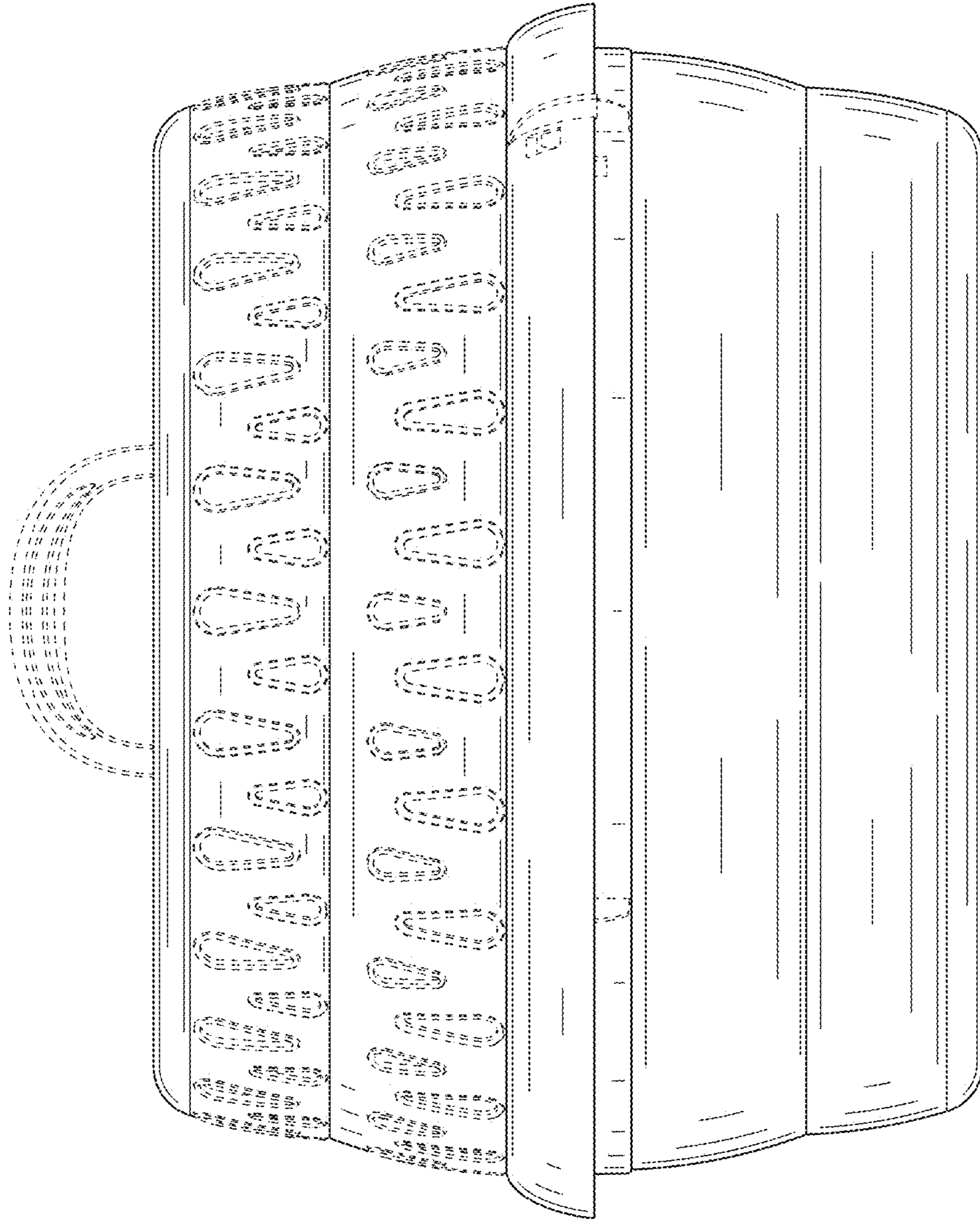


FIG. 8