



US0D1038531S

(12) **United States Design Patent** (10) **Patent No.:** **US D1,038,531 S**  
**West** (45) **Date of Patent:** **\*\* Aug. 6, 2024**

(54) **ARM COVERING**  
(71) Applicant: **Mildred West**, Dallas, TX (US)  
(72) Inventor: **Mildred West**, Dallas, TX (US)  
(\*\*) Term: **15 Years**

D617,502 S \* 6/2010 Chalk ..... D29/120.1  
D632,874 S \* 2/2011 Stephanis ..... D2/858  
D637,355 S \* 5/2011 Mihal ..... D29/120.1  
D649,293 S \* 11/2011 Lyons ..... D29/120.1  
(Continued)

(21) Appl. No.: **29/814,935**  
(22) Filed: **Nov. 10, 2021**  
(51) **LOC (14) Cl.** ..... **29-02**  
(52) **U.S. Cl.**  
USPC ..... **D29/120.1**  
(58) **Field of Classification Search**  
USPC ..... D29/100, 120.1, 121.1, 121.2  
CPC .. A41D 13/00; A41D 13/012; A41D 13/0125;  
A41D 13/015; A41D 13/05; A41D  
13/0512; A41D 13/11; A42B 1/0181;  
A42B 1/24; A42B 1/247; A42B 1/08;  
A42B 3/00; A42B 3/04; A42B 3/0406;  
A42B 3/06; A42B 3/062; A42B 3/063;  
A42B 3/064; A42B 3/065; A42B 3/066;  
A42B 3/10; A42B 3/12; A42B 3/18;  
A42B 3/22; A42B 3/221; A42B 3/225;  
A42B 3/324; F41H 1/00; F41H 1/02;  
F41H 1/04; F41H 1/06; F41H 1/08  
See application file for complete search history.

FOREIGN PATENT DOCUMENTS

CN 308066318 \* 6/2023  
GB 2398224 8/2004

OTHER PUBLICATIONS

Amazon, "Tough Outdoors Sun Protection Arm Sleeves", first available Jul. 11, 2017. (<https://www.amazon.com/Tough-Outdoors-Protection-Cooling-Sleeves/dp/B073TWJ7LL/?th=1&psc=1>) (Year: 2017).\*

(Continued)

*Primary Examiner* — Leanne Was-Englehart  
*Assistant Examiner* — Justin A Johnson

(57) **CLAIM**

The ornamental design for an arm covering, as shown and described.

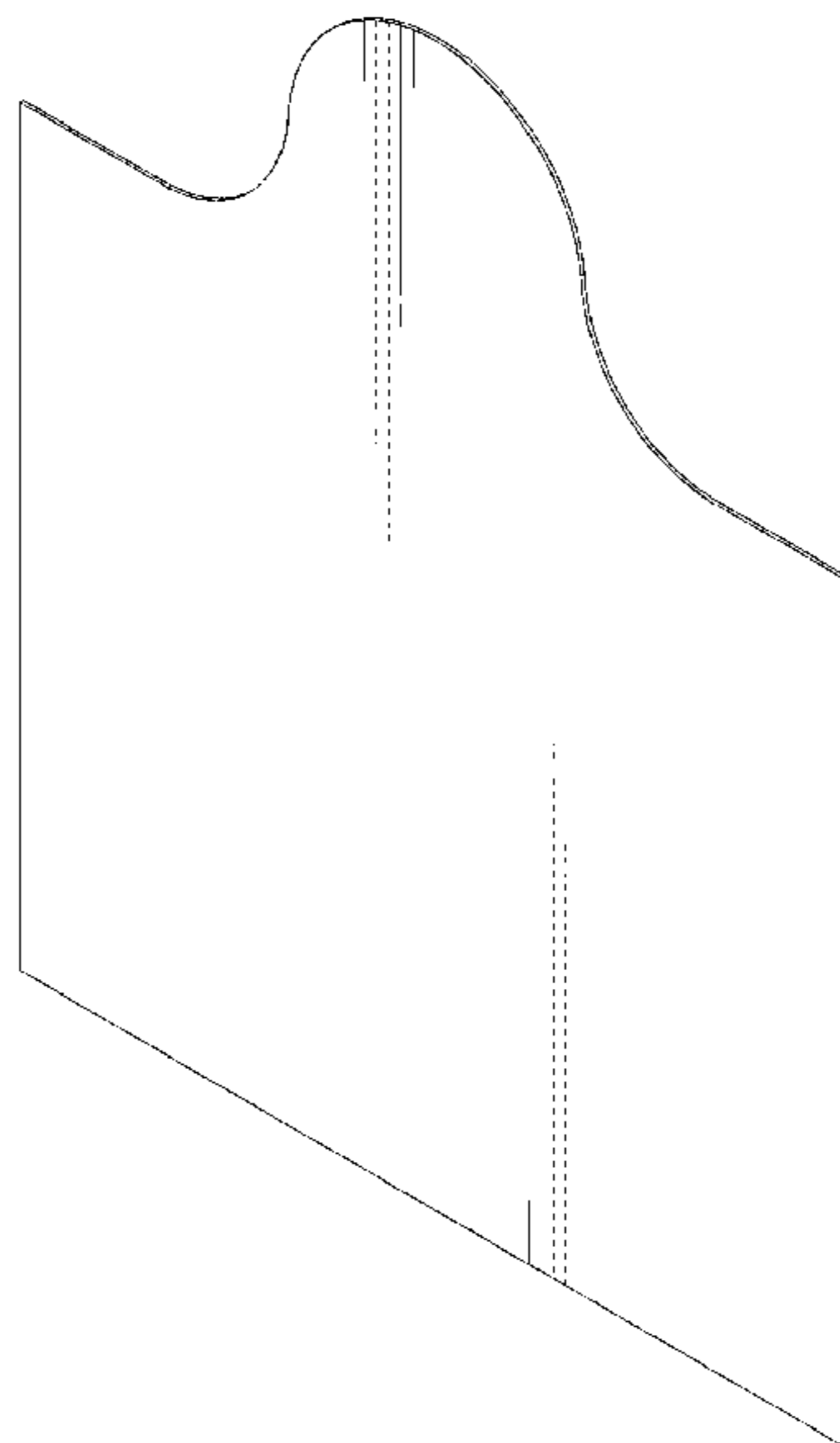
**DESCRIPTION**

FIG. 1 is a top front side perspective view of an arm covering showing my new design;  
FIG. 2 is a top rear side perspective view of the arm covering;  
FIG. 3 is a front side view of the arm covering;  
FIG. 4 is a left side view of the arm covering;  
FIG. 5 is a right side view of the arm covering;  
FIG. 6 is a top view of the arm covering;  
FIG. 7 is a bottom view of the arm covering;  
FIG. 8 is a rear view of the arm covering; and,  
FIG. 9 is a front view of the arm covering in an alternative in-use position.  
The broken lines in FIG. 9 are illustrative of environmental structure forming no part of the claimed invention.

(56) **References Cited**  
U.S. PATENT DOCUMENTS

D278,566 S \* 4/1985 Gustafson ..... D2/858  
D299,562 S \* 1/1989 Lee ..... D29/113  
5,357,633 A 10/1994 Rael  
D355,749 S \* 2/1995 Spera ..... D2/858  
D393,138 S \* 4/1998 Frey ..... D2/610  
D402,420 S \* 12/1998 Roberts ..... D29/120.1  
5,974,586 A \* 11/1999 Reinoso ..... A41D 13/08  
2/310  
6,539,550 B1 4/2003 Flores  
D515,745 S \* 2/2006 Leyva ..... D29/120.1

**1 Claim, 4 Drawing Sheets**



(56)

**References Cited**

U.S. PATENT DOCUMENTS

D675,383 S \* 1/2013 Shamis ..... D29/120.1  
D774,280 S \* 12/2016 Hakeem ..... D2/731  
10,405,590 B2 9/2019 Crayton  
2007/0028345 A1 2/2007 McCarty  
2010/0024088 A1 2/2010 Grierfer  
2019/0029340 A1 1/2019 Aguilar

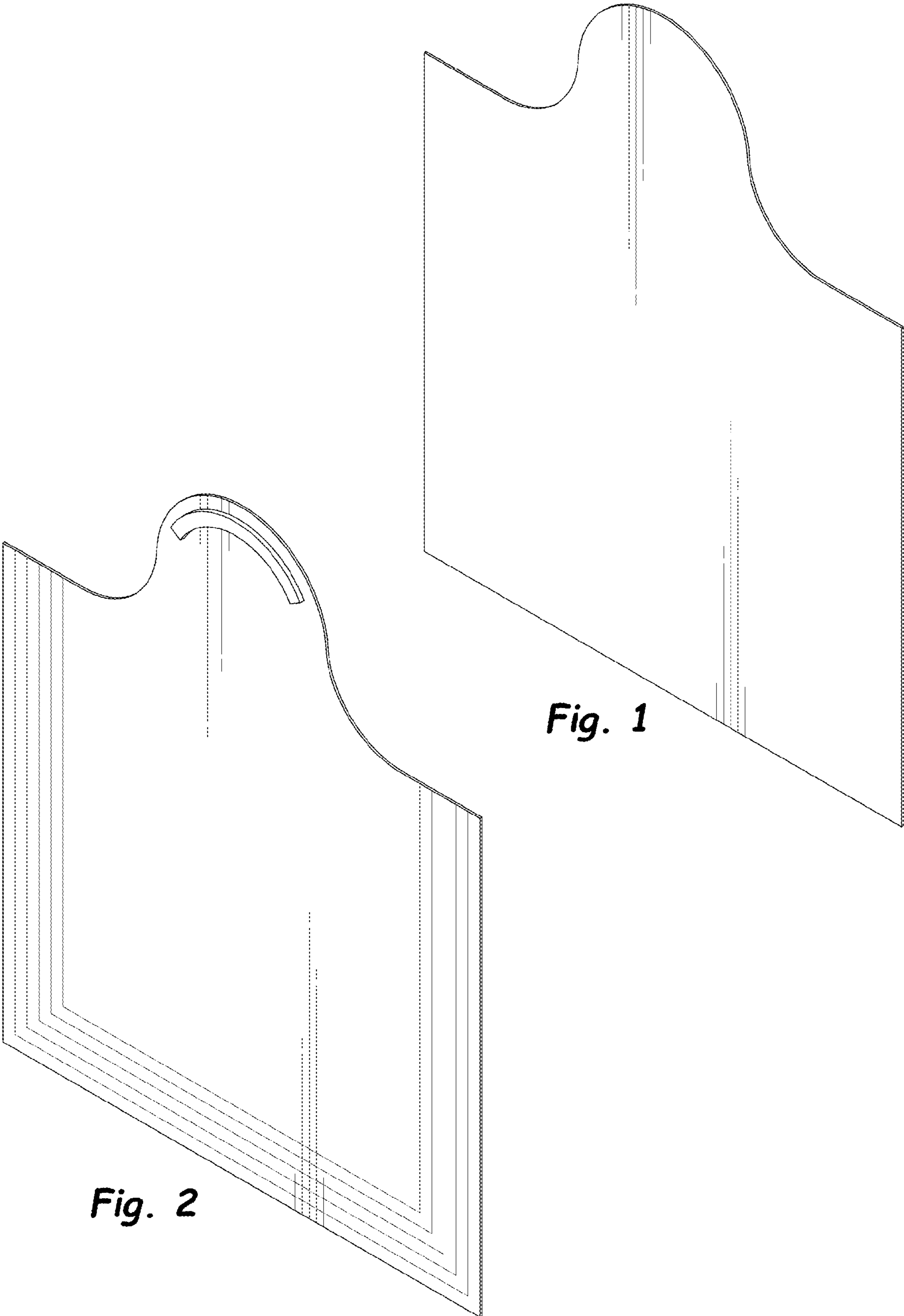
OTHER PUBLICATIONS

Amazon, "OutdoorEssentials UV Sun Protection Arm Sleeves", first available May 20, 2019. (<https://www.amazon.com/Sun-Protection-Arm-Sleeves-Compression/dp/B07RYNZG2M?th=1>) (Year: 2019).\*

Amazon, "SportsTrail Cooling Arm Sleeves", first available Nov. 22, 2022. (<https://www.amazon.com/Sports-Trail-Sleeves-Women-Tattoo-Cover/dp/B07C4YJYY2/>) (Year: 2022).\*

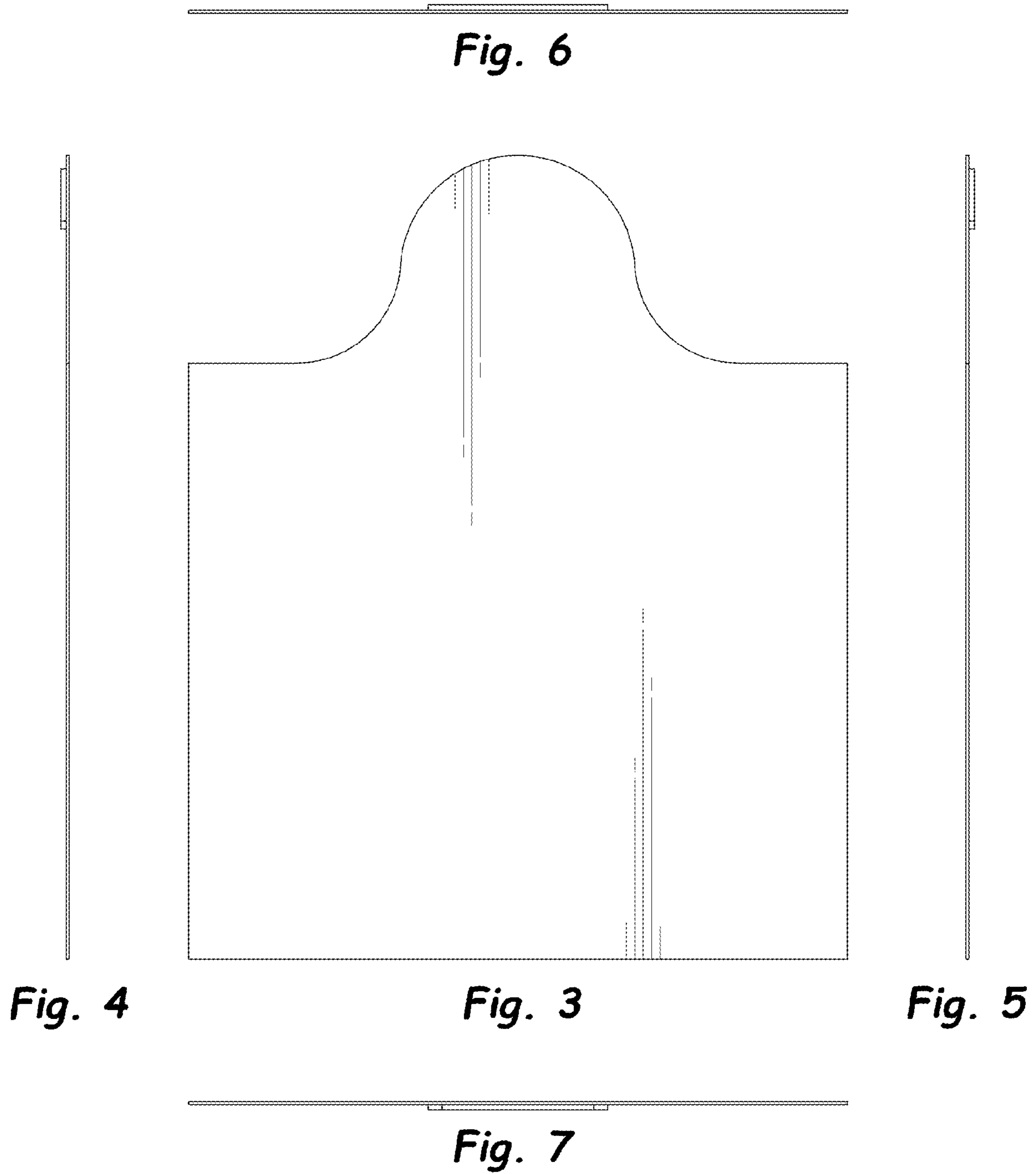
Amazon, "4-Pairs Arm Sleeves for Men and Women", first available Aug. 3, 2023. (<https://www.amazon.com/Protection-Anti-Slip-Compression-Football-Basketball/dp/B085T7121M/?th=1&psc=1>) (Year: 2023).\*

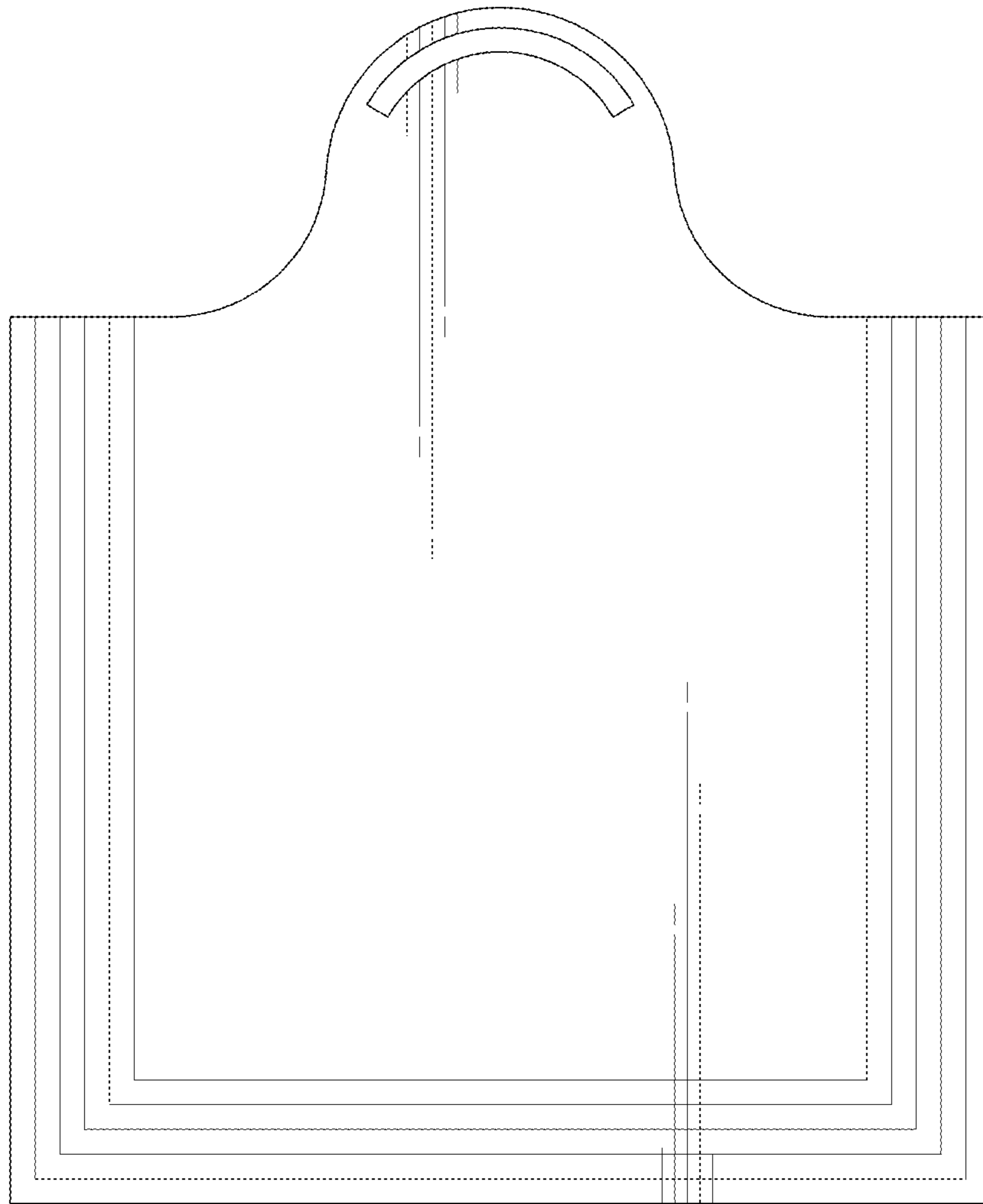
\* cited by examiner



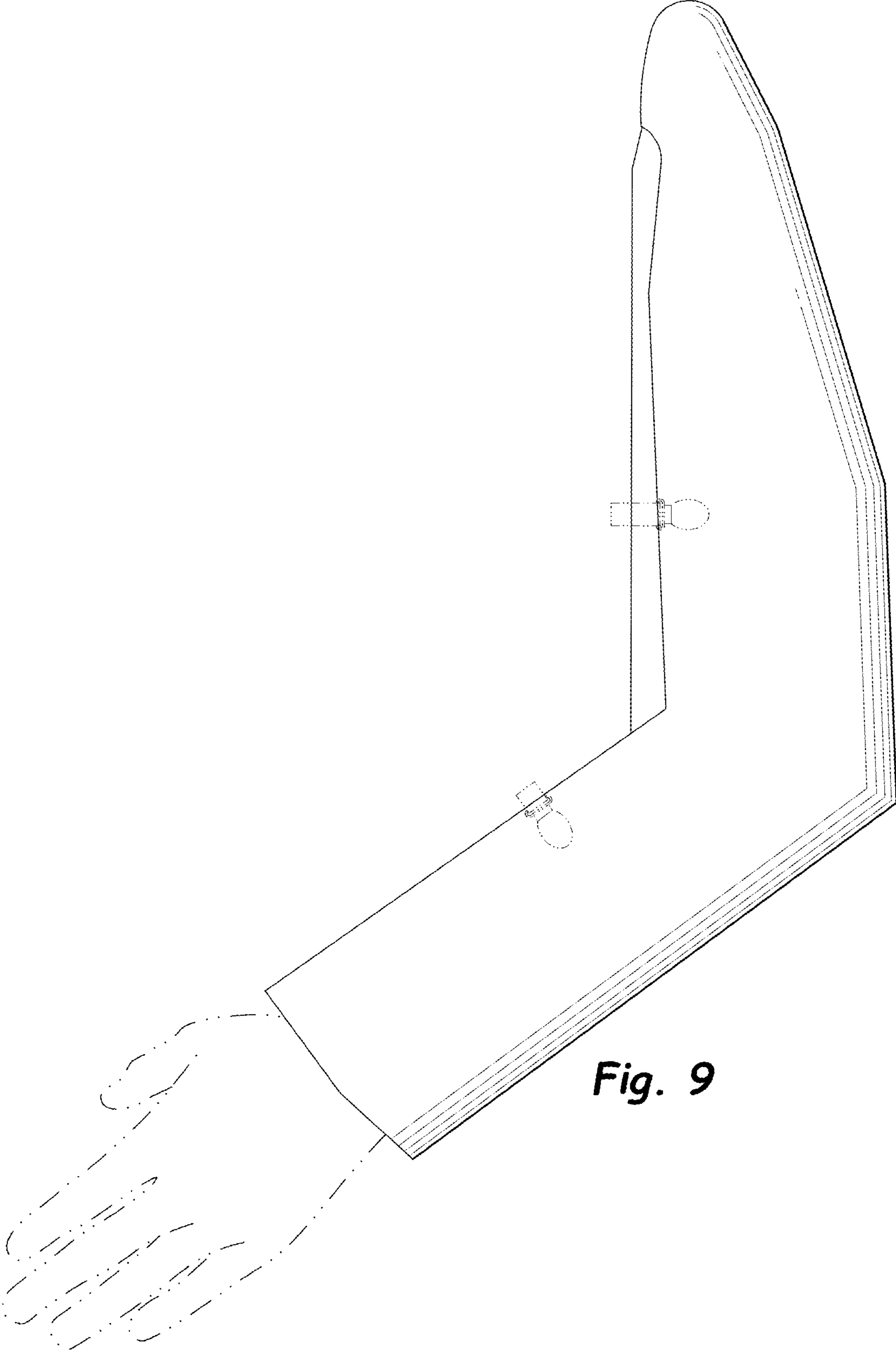
*Fig. 1*

*Fig. 2*





**Fig. 8**



**Fig. 9**