



US0D1038449S

(12) **United States Design Patent** (10) **Patent No.:** **US D1,038,449 S**  
**Johnson** (45) **Date of Patent:** **\*\* Aug. 6, 2024**

(54) **MOTION SENSOR LIGHT**  
(71) Applicant: **Perch Acquisition Co. 36, LLC**,  
Boston, MA (US)  
(72) Inventor: **Brian P. Johnson**, Dallas, TX (US)  
(73) Assignee: **Perch Acquisition Co. 36, LLC**,  
Boston, MA (US)

D829,690 S \* 10/2018 Chen ..... D14/216  
D831,268 S \* 10/2018 Johnson ..... D26/113  
D841,222 S \* 2/2019 Johnson ..... D26/80  
D887,621 S \* 6/2020 Wu ..... D26/89  
D903,927 S \* 12/2020 Johnson ..... D26/89  
D936,265 S \* 11/2021 Johnson ..... D26/67  
D936,272 S \* 11/2021 Johnson ..... D26/89  
D948,101 S \* 4/2022 Shen ..... D26/89  
D948,774 S \* 4/2022 Shen ..... D26/89

(Continued)

(\*\*) Term: **15 Years**

**FOREIGN PATENT DOCUMENTS**

(21) Appl. No.: **29/875,888**

GB 6059631 \* 4/2019  
GB 6115707 \* 1/2021

(22) Filed: **May 12, 2023**

**OTHER PUBLICATIONS**

**Related U.S. Application Data**

(62) Division of application No. 29/723,428, filed on Feb. 6, 2020, now Pat. No. Des. 1,002,066.

Brilliant Evolution Wireless LED Motion Sensor Light. By Brilliant Evolution. Dated Apr. 20, 2020. Found online [Mar. 3, 2022] (Year: 2020).\*

(51) **LOC (14) Cl.** ..... **26-05**

(Continued)

(52) **U.S. Cl.**  
USPC ..... **D26/89**

(58) **Field of Classification Search**  
USPC .... D26/1, 24, 37-52, 60, 72, 74, 81, 88-89,  
D26/93, 105, 113, 118-120, 123-124  
CPC ..... F21Y 2115/10; F21Y 2113/00; F21Y  
2101/00; F21Y 2103/00; F21Y 2105/10;  
F21V 23/0442; F21V 23/0471; H05B  
47/115

*Primary Examiner* — Marissa J Cash  
*Assistant Examiner* — William B Melliar  
(74) *Attorney, Agent, or Firm* — Wolf, Greenfield & Sacks, P.C.

See application file for complete search history.

(57) **CLAIM**

The ornamental design for a motion sensor light, as shown and described.

(56) **References Cited**

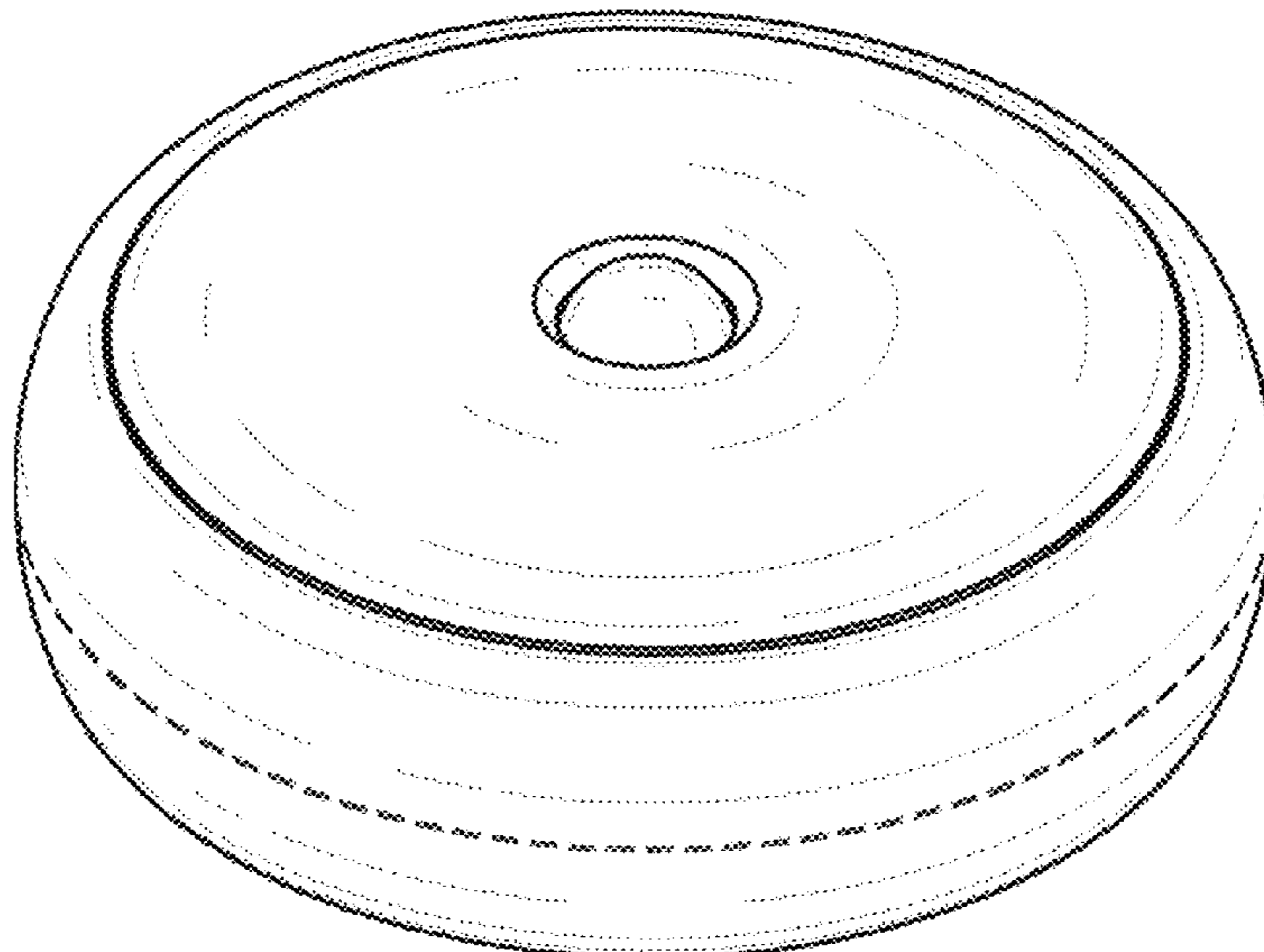
**DESCRIPTION**

**U.S. PATENT DOCUMENTS**

D544,618 S \* 6/2007 Coughaine ..... D26/37  
D633,231 S \* 2/2011 Morrison ..... D26/24  
D745,210 S \* 12/2015 Serwacki ..... D26/138  
D757,014 S \* 5/2016 Hahn ..... D14/434  
D757,307 S \* 5/2016 Wallach ..... D26/24  
D781,487 S \* 3/2017 Starck ..... D26/89  
D781,818 S \* 3/2017 Pera ..... D14/209  
D788,475 S \* 6/2017 Kiyohara ..... D6/309

FIG. 1 is a perspective view of a motion sensor light showing my design, as viewed from the top and front. FIG. 2 is a front profile view thereof. FIG. 3 is a back profile view thereof; and, FIG. 4 is a side profile view thereof. The broken lines in the drawings illustrate portions of the motion sensor light that form no part of the claimed design.

**1 Claim, 2 Drawing Sheets**



(56)

**References Cited**

U.S. PATENT DOCUMENTS

D1,002,066 S \* 10/2023 Johnson ..... D26/89  
2009/0097238 A1 \* 4/2009 Cousaine ..... F21S 9/02  
362/191

OTHER PUBLICATIONS

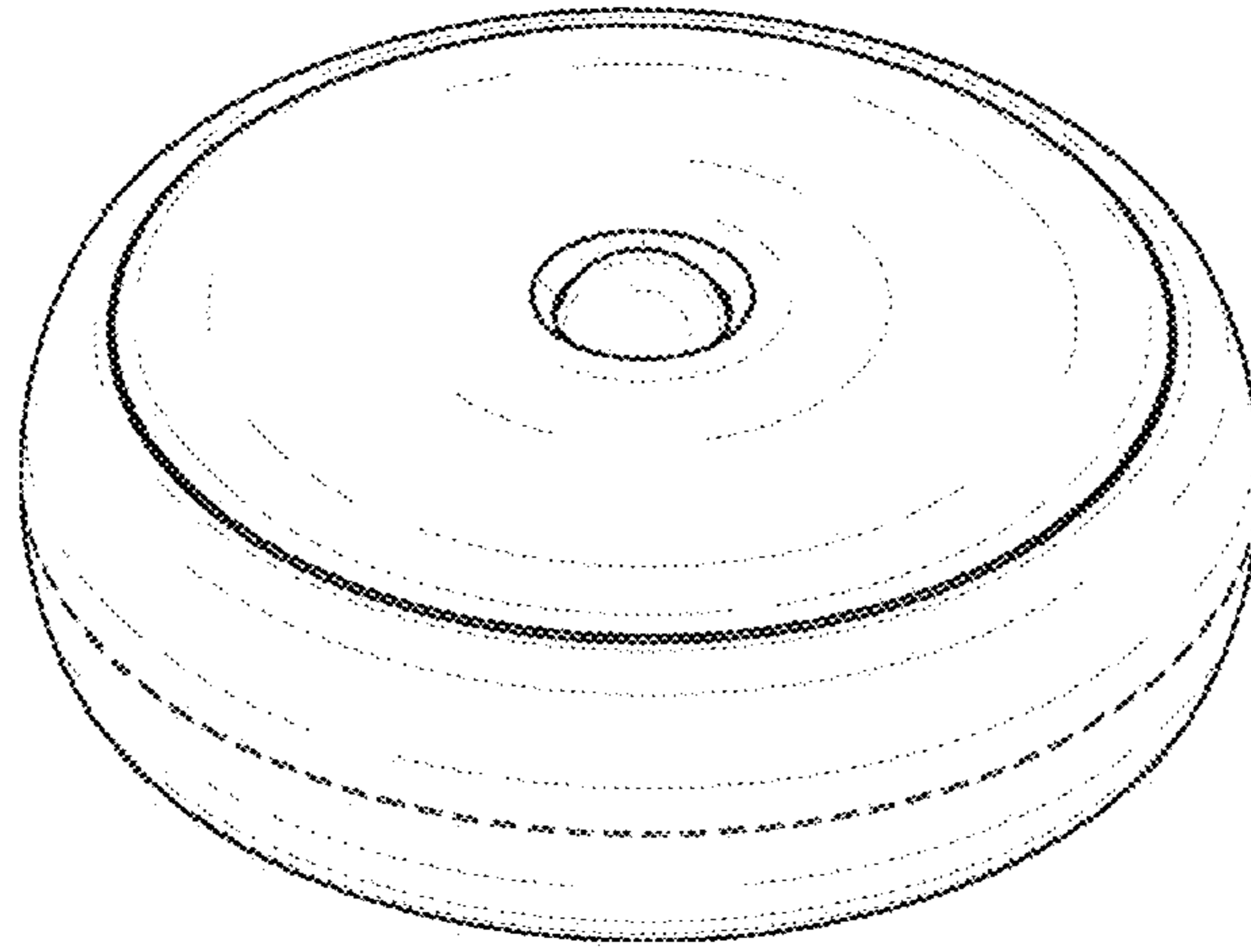
SingHong Motion Sensore LED Night Light. By SingHong. Dated Mar. 26, 2019. Found online [Mar. 3, 2022]. <https://www.amazon.com/SingHong-Rechargeable-Colour-Changeable-Bathroom-Magnetic/dp/B07Q2KTMQB> (Year: 2019).\*

[No Author Listed], Brilliant Evolution Wireless LED Motion Sensor Light. Amazon.com by Brilliant Evolution. Dated Apr. 20, 2020. 4 pages.

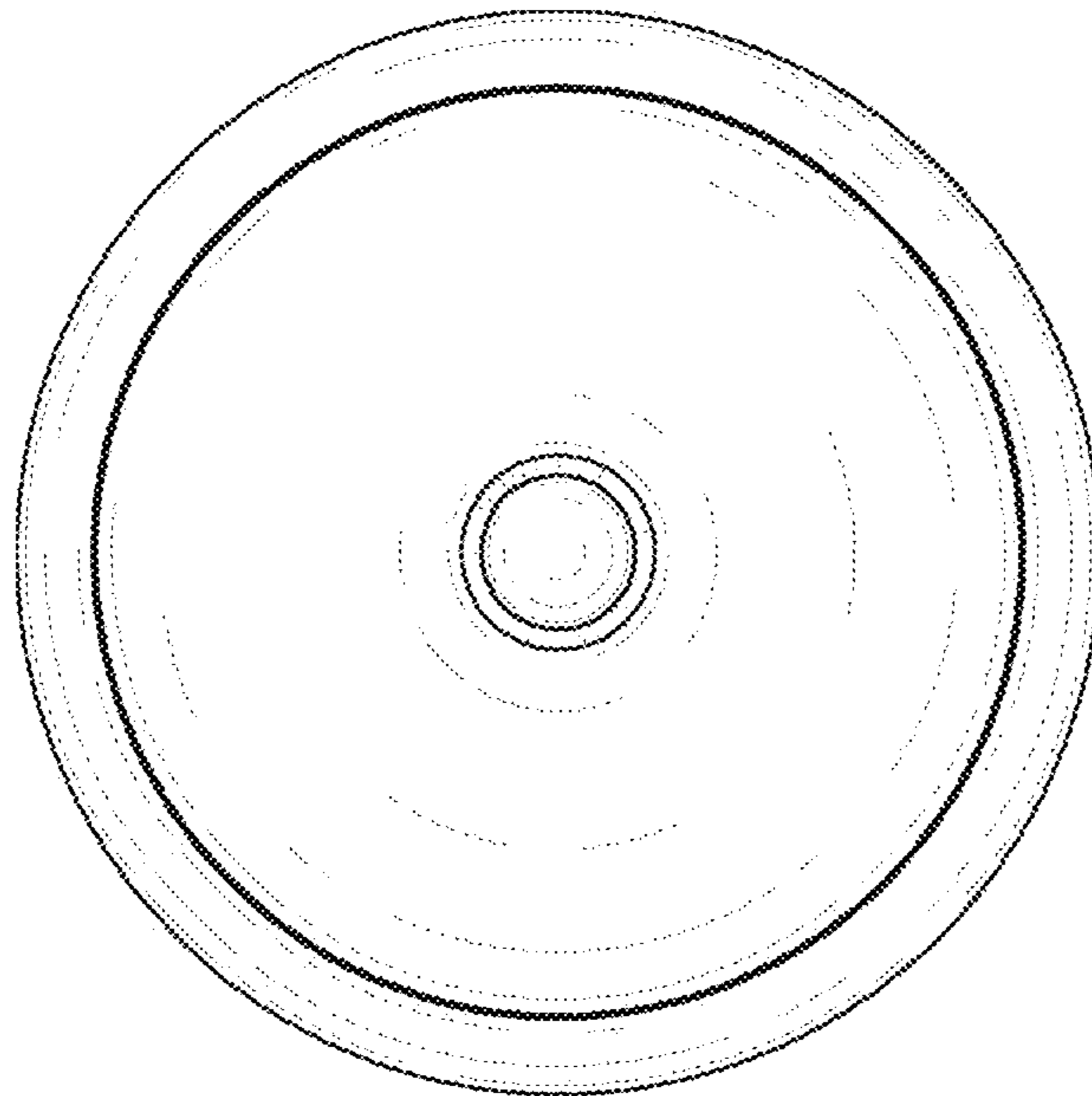
[No Author Listed], Motion Sensor LED Night Light, Kids Night Light, USB Rechargeable, 8 Lighting Colors, 3 Working Modes, for Bedroom, Hallway, Cabinet, Closet, Stairs, etc, Magnetic Stick Anywhere (2 Pack). Amazon.com by Singh Hong Store, dated Mar. 26, 2019. Found online [Mar. 3, 2022]. <https://www.amazon.com/SingHong-Rechargeable-Colour-Changeable-Bathroom-Magnetic/dp/B07Q2KTMQB>. 6 pages.

U.S. Appl. No. 29/723,428, filed Feb. 6, 2020, Johnson.

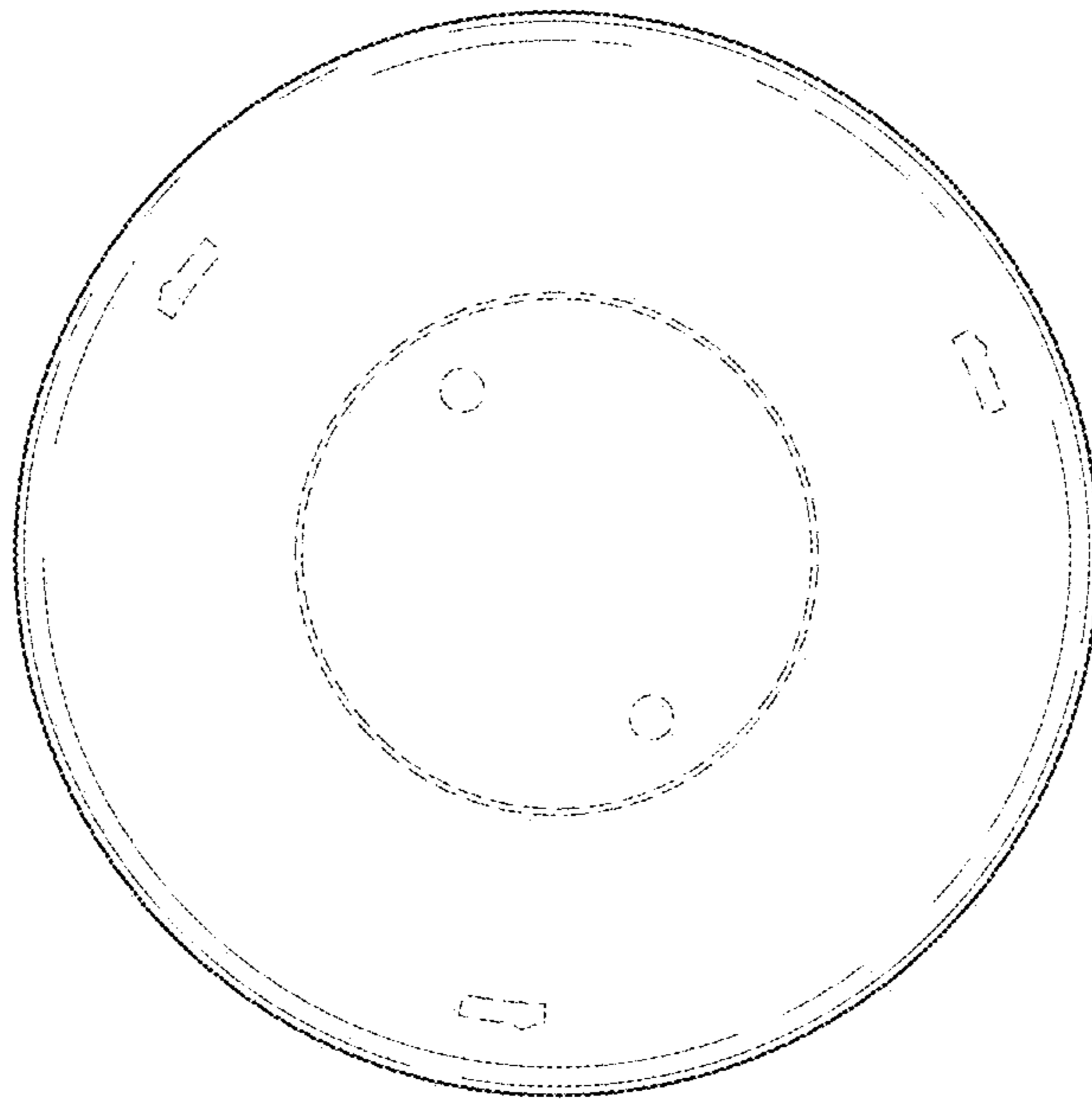
\* cited by examiner



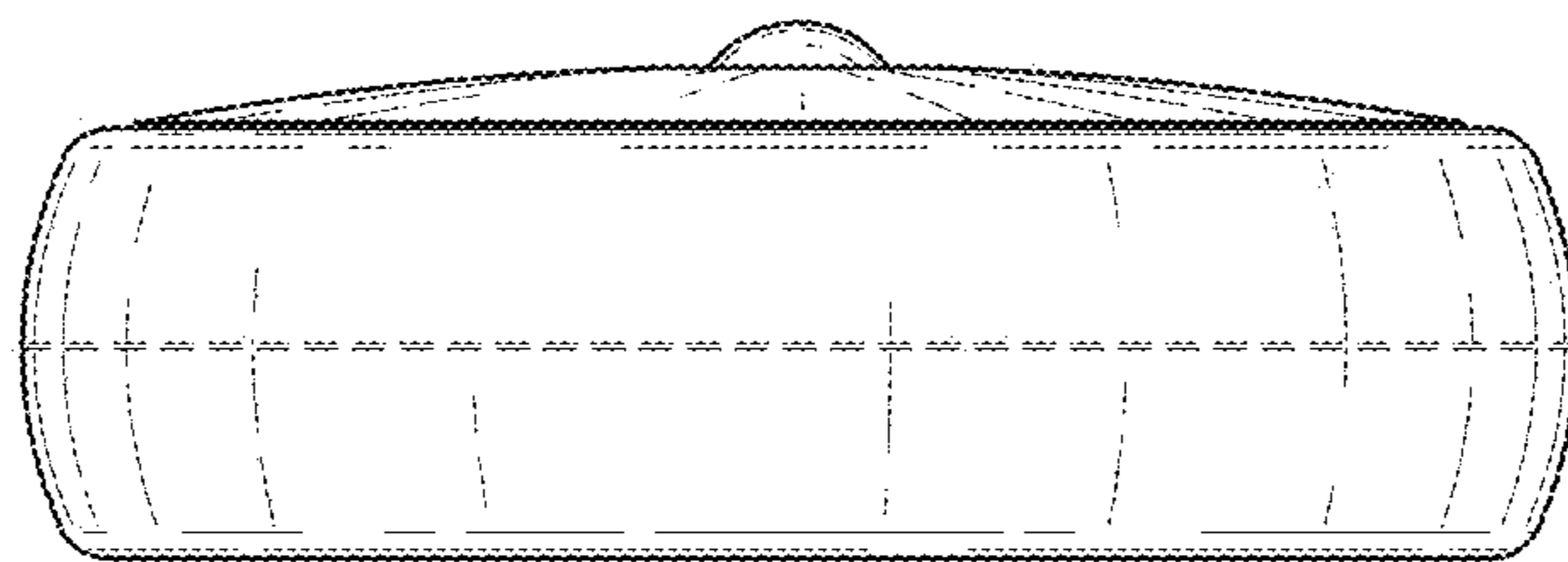
*Fig. 1*



*Fig. 2*



*Fig. 3*



*Fig. 4*