



US0D1038398S

(12) **United States Design Patent** (10) **Patent No.:** **US D1,038,398 S**
Mickel (45) **Date of Patent:** **** *Aug. 6, 2024**

- (54) **PINCH PROXI MARK**
- (71) Applicant: **Sabrina E. Mickel**, Beachwood, OH (US)
- (72) Inventor: **Sabrina E. Mickel**, Beachwood, OH (US)
- (*) Notice: This patent is subject to a terminal disclaimer.
- (**) Term: **15 Years**
- (21) Appl. No.: **29/758,281**
- (22) Filed: **Nov. 13, 2020**
- (51) **LOC (14) Cl.** **24-02**
- (52) **U.S. Cl.**
USPC **D24/152**
- (58) **Field of Classification Search**
USPC D24/107, 133, 152, 176, 180, 181
CPC .. A61C 5/30; A61C 5/85; A61C 13/12; A61C
3/00
See application file for complete search history.

- (56) **References Cited**
U.S. PATENT DOCUMENTS
- | | | | | | |
|-----------|-----|---------|----------|-------|----------------------|
| 2,687,573 | A * | 8/1954 | Stone | | A61C 5/85
433/155 |
| 3,795,981 | A * | 3/1974 | Franklin | | A61C 5/85
433/39 |
| D253,191 | S * | 10/1979 | Stark | | 433/39 |
| D255,931 | S * | 7/1980 | Therrien | | D24/191 |
| D358,888 | S * | 5/1995 | Kanas | | D24/176 |
| D376,205 | S * | 12/1996 | Tarfare | | D24/152 |

- | | | | | | |
|--------------|-----|---------|------------|-------|-----------|
| D376,426 | S * | 12/1996 | Tarfare | | D24/152 |
| D376,849 | S * | 12/1996 | Tarfare | | D24/152 |
| D450,614 | S * | 11/2001 | Wilkinson | | D24/133 |
| D645,966 | S * | 9/2011 | Broussard | | D24/180 |
| D763,449 | S * | 8/2016 | Andersen | | D24/181 |
| D792,594 | S * | 7/2017 | Nicholson | | D24/176 |
| D940,898 | S * | 1/2022 | Chiappetta | | D24/227 |
| D945,625 | S * | 3/2022 | Haraden | | D24/181 |
| D963,863 | S * | 9/2022 | Pearen | | D24/176 |
| D974,567 | S * | 1/2023 | Wolf | | D24/181 |
| 2022/0096204 | A1* | 3/2022 | Mickel | | A61C 5/30 |
| 2022/0192785 | A1* | 6/2022 | Sehmi | | A61C 5/85 |

* cited by examiner

Primary Examiner — Bao-Yen T Nguyen
Assistant Examiner — Amanda J Berlinski

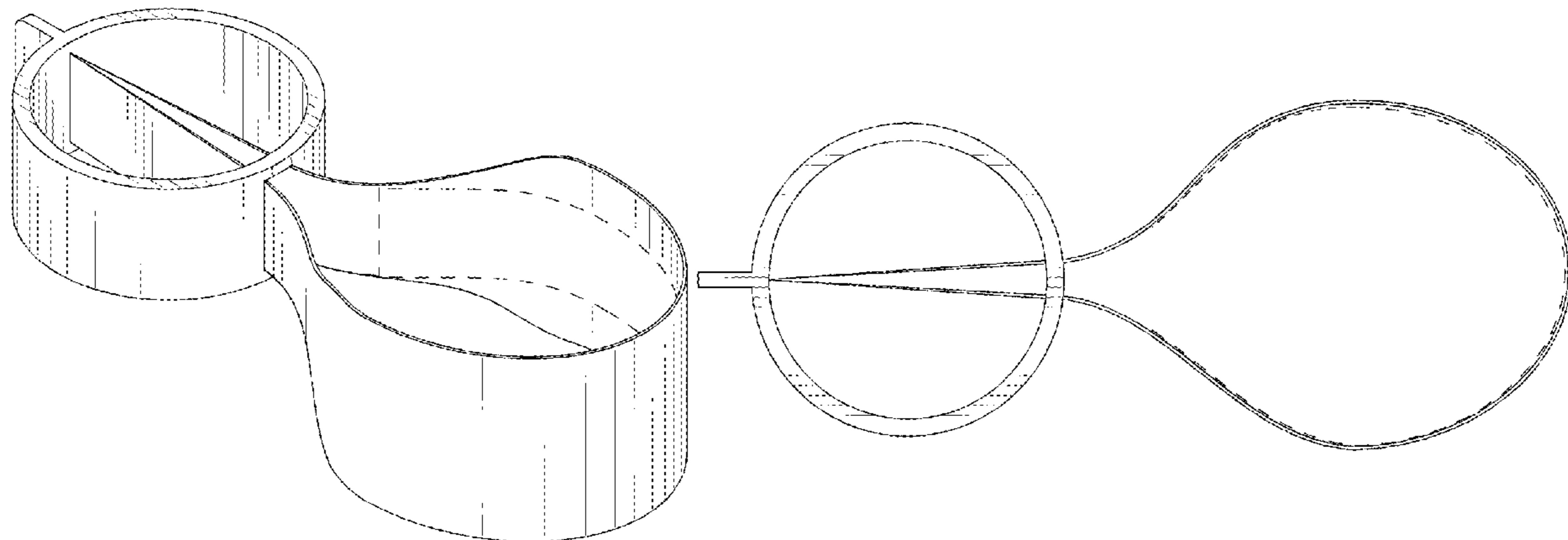
(57) **CLAIM**

The ornamental design for a pinch proxi mark, as shown and described.

DESCRIPTION

FIG. 1 is a perspective view of a pinch proxi mark showing my new design;
FIG. 2 is a front elevational view thereof;
FIG. 3 is a rear elevational view thereof;
FIG. 4 is a left side elevational view thereof;
FIG. 5 is a right side elevational view thereof;
FIG. 6 is a bottom plan view thereof; and,
FIG. 7 is a top plan view thereof.
The broken line showing of a band is included for the purpose of illustrating environmental structure and forms no part of the claimed design.

1 Claim, 7 Drawing Sheets



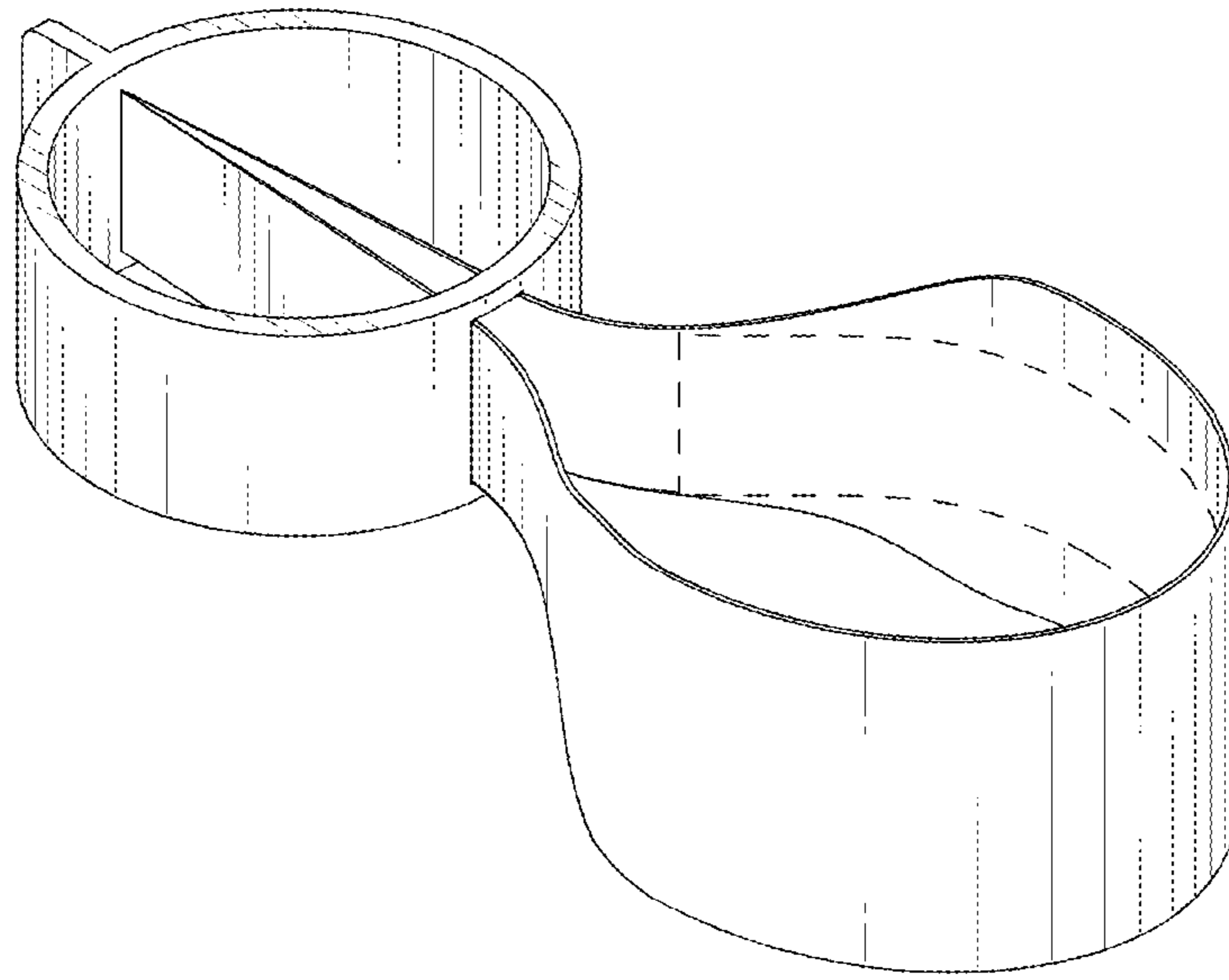


FIG. 1

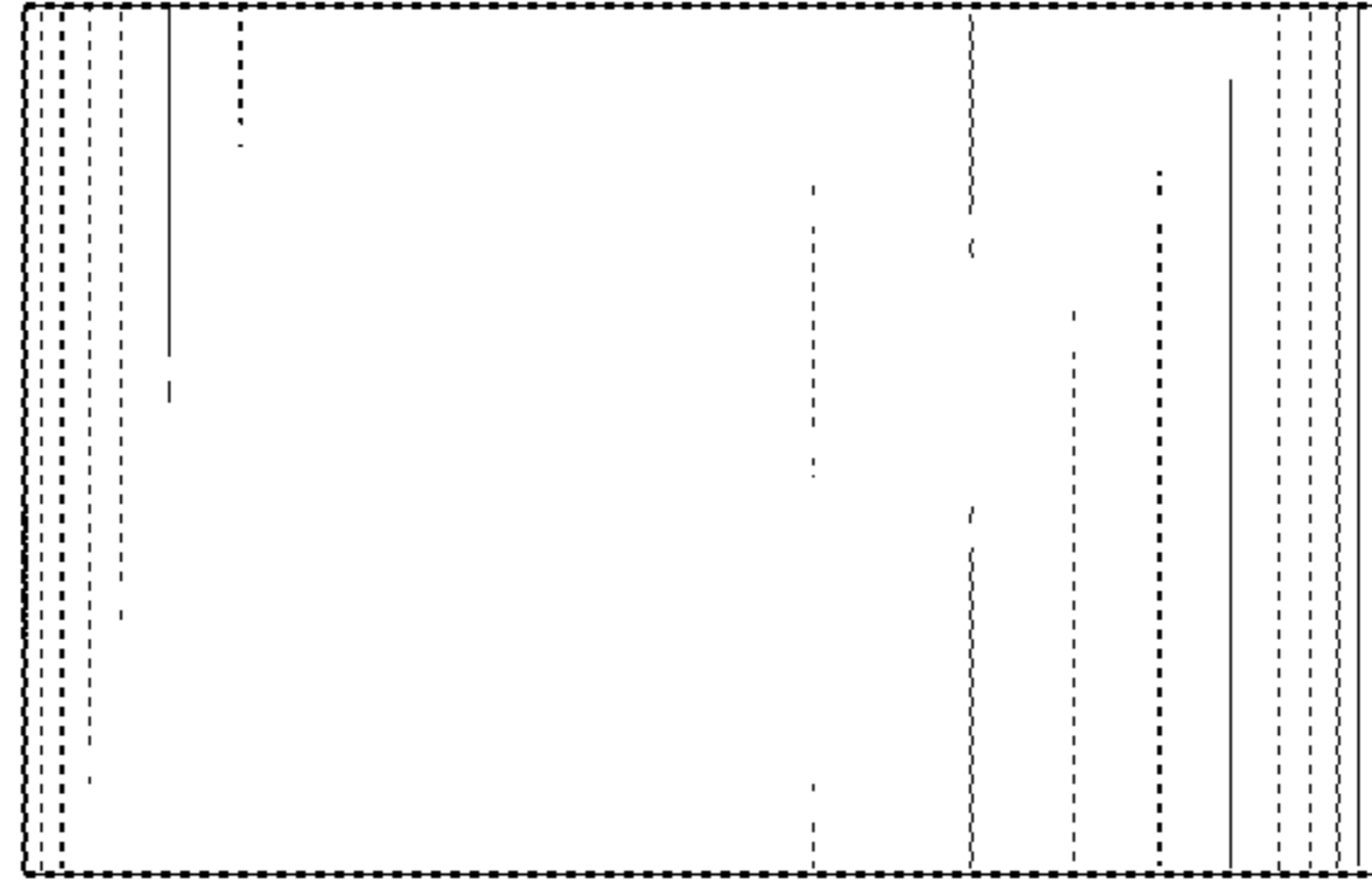


FIG. 2

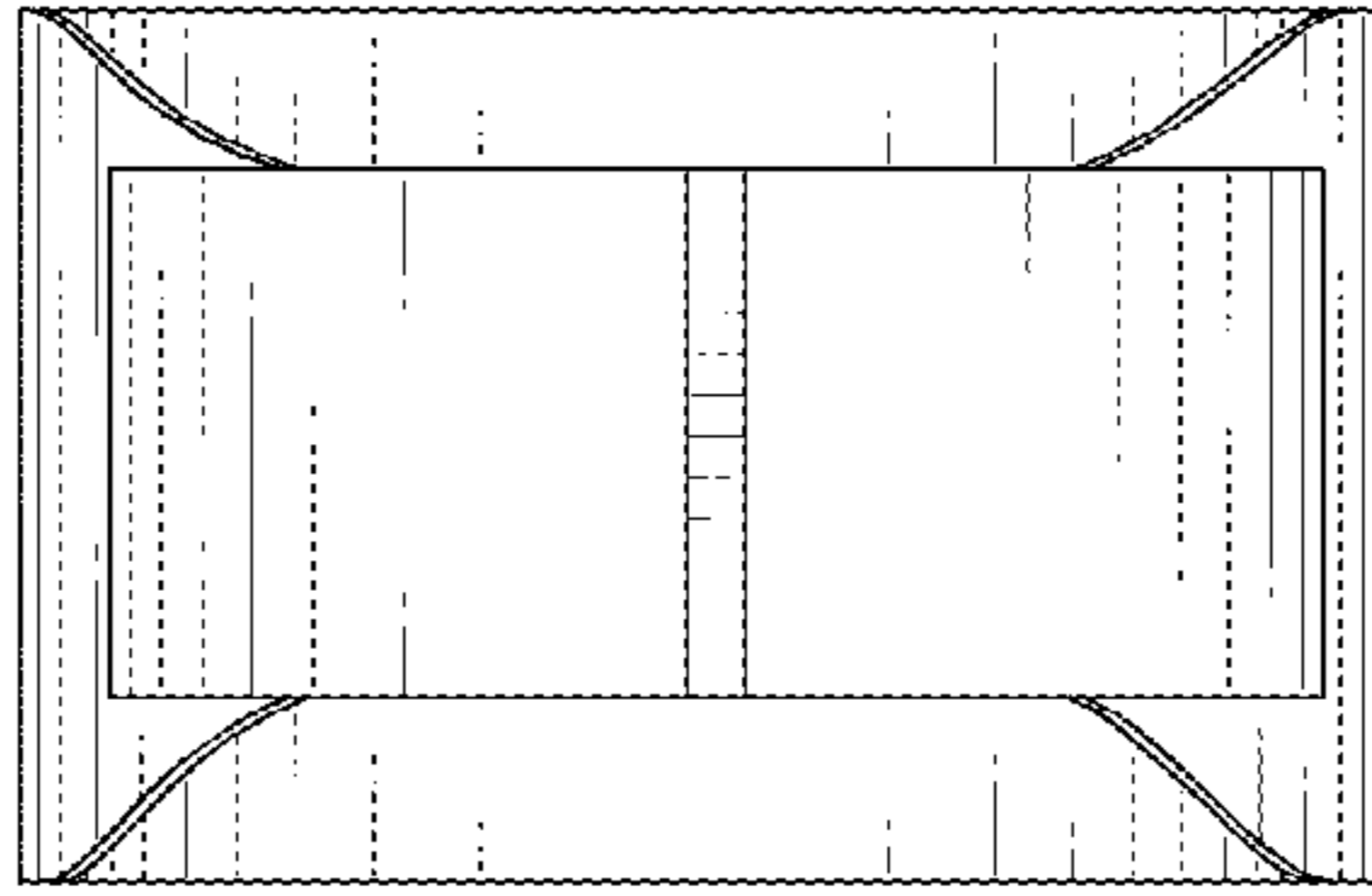


FIG. 3

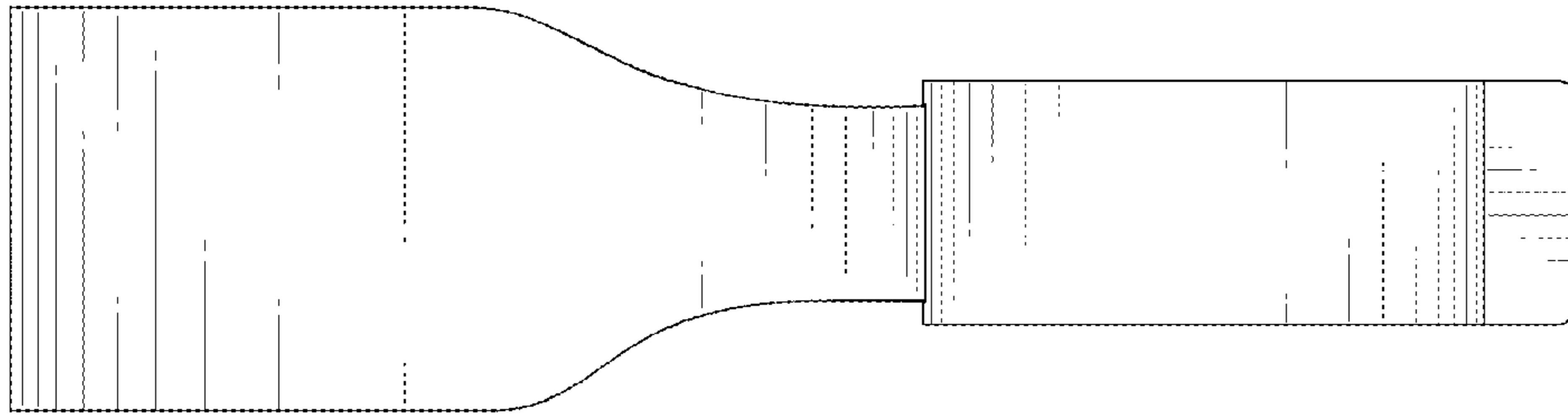


FIG. 4

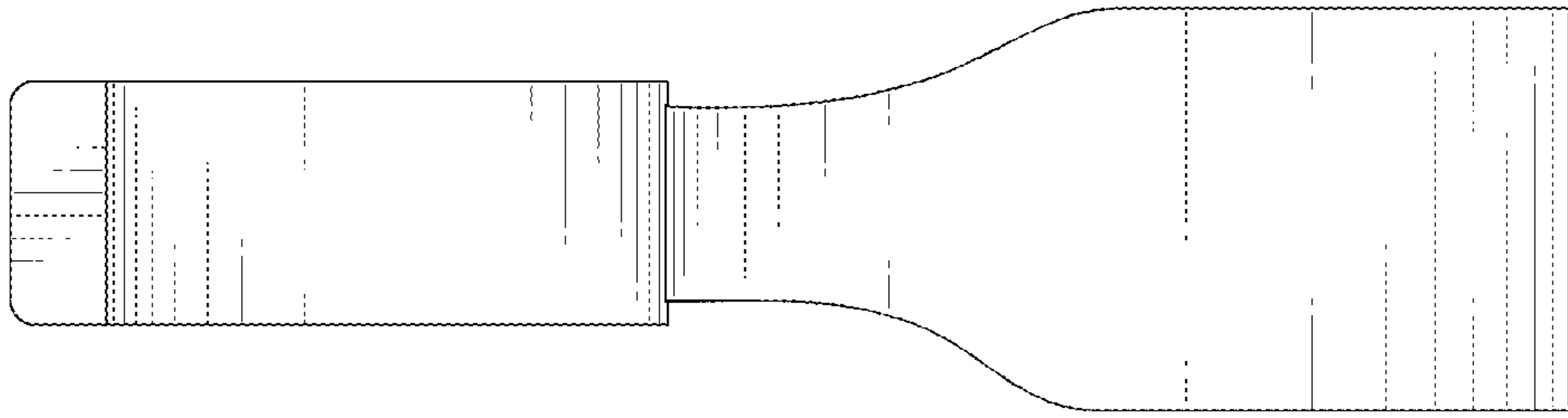


FIG. 5

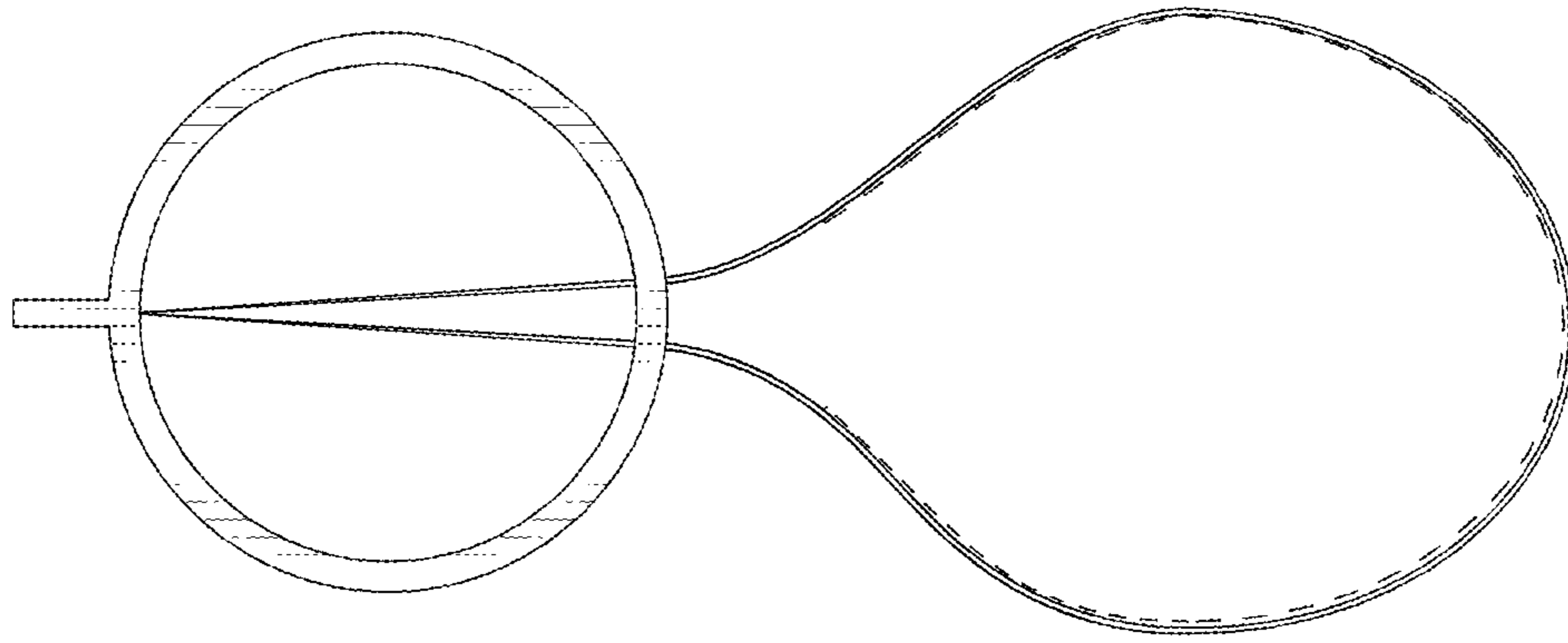


FIG. 6

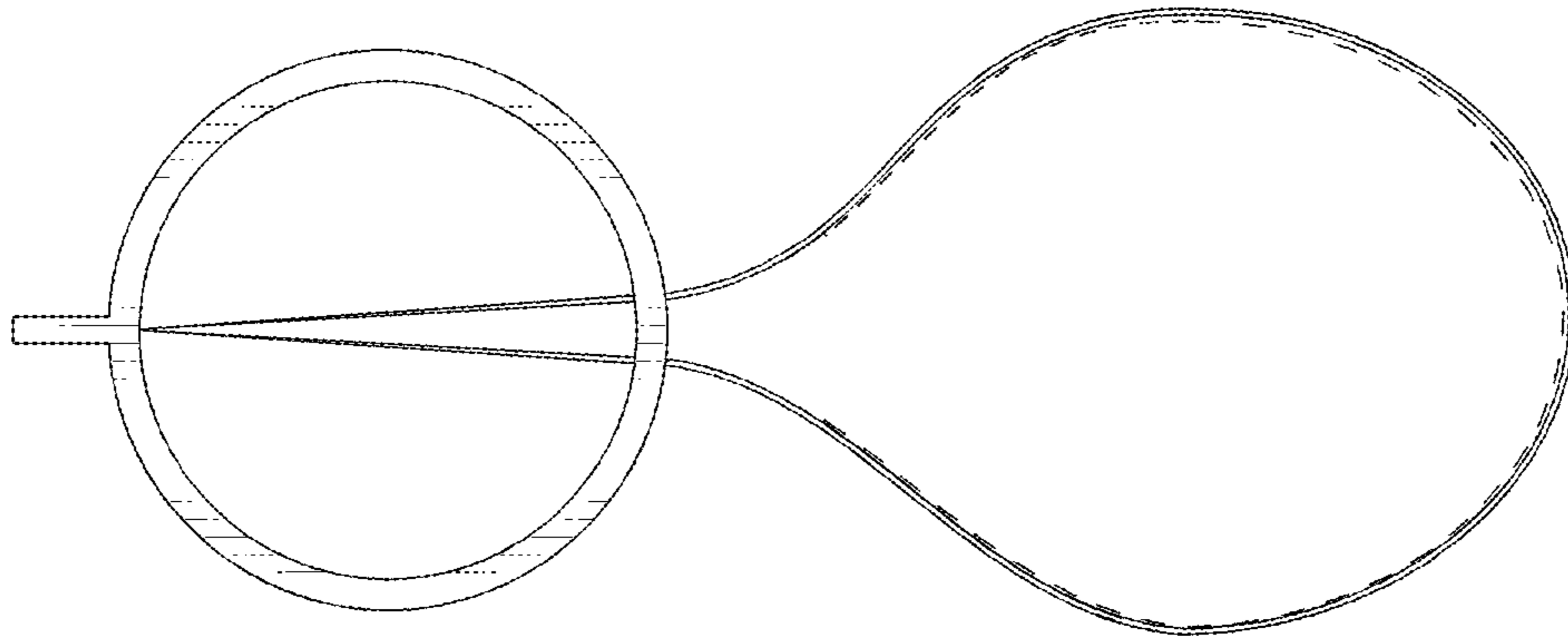


FIG. 7