



US0D1038383S

(12) **United States Design Patent** (10) **Patent No.:** **US D1,038,383 S**  
**Gouchtchina et al.** (45) **Date of Patent:** **\*\* Aug. 6, 2024**

(54) **DERMAL SPRAY APPARATUS**

FOREIGN PATENT DOCUMENTS

(71) Applicant: **Kozhya LLC Sp. z o.o.**, Poznań (PL)

CA 43463 A 4/1978  
CN 2930731 8/2007

(72) Inventors: **Yoanna Gouchtchina**, Allen, TX (US);  
**Enrique Gallar**, Berlin (DE)

(Continued)

(73) Assignee: **KOZHYA LLC SP. Z O.O.**, Poznań (PL)

OTHER PUBLICATIONS

(\*\*) Term: **15 Years**

Ries The Essential Refillable Travel Container, sephora.com, customer review oldest Aug. 9, 2022 [online], [site visited Oct. 13, 2023], Available from internet, URL: <https://www.sephora.com/product/the-essential-refillable-travel-container-P501801?skuId=2612455> (Year: 2022).\*

(21) Appl. No.: **29/837,813**

(Continued)

(22) Filed: **May 9, 2022**

(51) **LOC (14) Cl.** ..... **24-02**

*Primary Examiner* — Samantha Q Lawrence

(52) **U.S. Cl.**

*Assistant Examiner* — Thanh Luu Wong

USPC ..... **D24/119**

(74) *Attorney, Agent, or Firm* — Jeff B. Vockrodt;

(58) **Field of Classification Search**

Culhane Meadows PLLC

USPC ..... D24/119, 108, 110, 113, 188, 214, 133,  
D24/146; D28/91.1, 9, 99, 44.1;  
D9/682, 686, 769, 525, 529, 575, 449,  
D9/695, 696, 702, 708-711, 714

(57) **CLAIM**

CPC .... A61M 11/00; A61M 11/006; A61M 35/00;  
A61M 35/003; A61M 2210/04; A61M  
15/009; B65D 83/14; B65D 83/16; B65D  
83/20

The ornamental design for a dermal spray apparatus, as shown and described.

See application file for complete search history.

**DESCRIPTION**

(56) **References Cited**

U.S. PATENT DOCUMENTS

2,078,171 A 4/1937 Wittie  
2,802,448 A 8/1957 Young  
D190,785 S \* 6/1961 Kruck ..... D9/687  
D191,650 S \* 10/1961 Kruck ..... D9/686  
D193,951 S 10/1962 Mil  
3,554,450 A 1/1971 Muhala  
D258,046 S 1/1981 Richmond  
D308,162 S 5/1990 Nitta  
D317,407 S 6/1991 Gray et al.

FIG. 1 is an enlarged partial perspective view of top, front, and right sides of a dermal spray apparatus showing our new design;

FIG. 2 is an enlarged perspective view showing top, front, and left sides thereof;

FIG. 3 is a front elevation view thereof, showing the dermal spray apparatus in a closed position;

FIG. 4 is a back elevation view thereof, showing the dermal spray apparatus in a closed position;

FIG. 5 is a left-side elevation view thereof;

FIG. 6 is a right-side elevation view thereof;

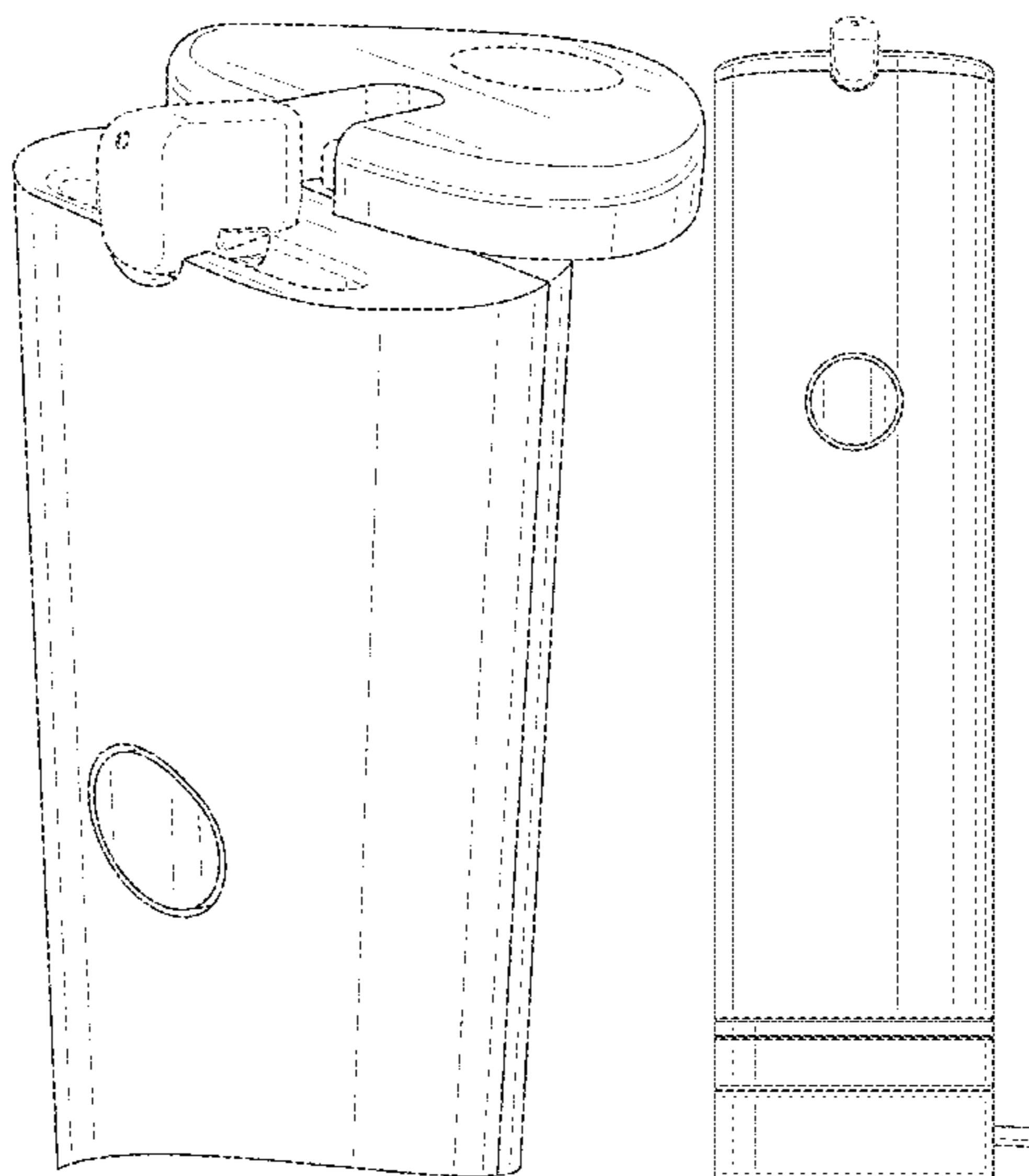
FIG. 7 is a top plan view thereof; and,

FIG. 8 is a bottom plan view thereof.

The broken lines depict portions of the dermal spray apparatus that form no part of the claim.

(Continued)

**1 Claim, 8 Drawing Sheets**



(56)

References Cited

U.S. PATENT DOCUMENTS

5,248,096 A 9/1993 Hoey et al.  
D356,828 S 3/1995 Harris  
5,613,272 A 3/1997 Huffman  
5,839,623 A 11/1998 Losenno et al.  
D415,267 S 10/1999 Kauzlarich et al.  
6,125,844 A 10/2000 Samiotes  
D450,889 S \* 11/2001 Chang ..... D28/76  
6,326,062 B1 12/2001 Noakes et al.  
D463,736 S 10/2002 Hern  
6,478,193 B1 11/2002 Good et al.  
6,598,808 B1 7/2003 Garcia et al.  
D526,717 S 8/2006 Yamaguchi et al.  
D528,653 S 9/2006 Matthew  
D529,811 S \* 10/2006 Ratzlaff ..... D9/449  
D530,621 S 10/2006 Rashid  
D538,482 S \* 3/2007 Martinez ..... D9/504  
D541,169 S \* 4/2007 Ball ..... D9/537  
D543,455 S \* 5/2007 Winner ..... D9/449  
7,225,807 B2 6/2007 Papania et al.  
D552,232 S 10/2007 Collins  
D561,890 S \* 2/2008 Lithgow ..... D24/110  
D596,043 S 7/2009 Noble  
7,661,563 B2 2/2010 De Lataulade  
7,874,461 B2 \* 1/2011 Bae ..... B05B 11/1069  
222/321.9  
7,959,597 B2 6/2011 Baker et al.  
8,091,803 B2 1/2012 Fedorov  
D654,805 S 2/2012 Lua  
D655,199 S 3/2012 Ciriani  
8,308,029 B2 \* 11/2012 Ki ..... B05B 11/0027  
222/321.9  
D673,055 S 12/2012 Cappello  
D673,264 S \* 12/2012 Kunze ..... D24/113  
8,443,799 B2 5/2013 Yamashita et al.  
8,584,971 B2 11/2013 Seabase et al.  
D698,208 S 1/2014 Cavanagh  
D716,666 S \* 11/2014 Park ..... D9/690  
D733,565 S 7/2015 Leventhal  
D734,153 S 7/2015 Fily  
D751,415 S \* 3/2016 Otani ..... D9/686  
9,358,561 B2 6/2016 Johnson et al.  
D764,309 S \* 8/2016 Yakos ..... D9/687  
D766,096 S \* 9/2016 Moreaux ..... D9/688  
D779,124 S \* 2/2017 Houyoux ..... D28/91.1  
D791,933 S \* 7/2017 Rabe ..... D24/119  
D796,025 S \* 8/2017 Lo ..... D24/111  
9,744,319 B2 8/2017 Denyer et al.  
D811,893 S 3/2018 Bandawat  
10,099,233 B2 10/2018 Tsai  
D833,079 S \* 11/2018 Fang ..... D9/686  
D834,702 S \* 11/2018 Evans ..... D27/101  
10,252,283 B2 4/2019 Gouchtchina et al.  
D848,603 S \* 5/2019 Fujino ..... D24/110  
D849,230 S \* 5/2019 Gouchtchina ..... D24/108  
D855,891 S \* 8/2019 Lin ..... D9/561  
D871,134 S \* 12/2019 Silsby ..... D9/449  
D871,230 S \* 12/2019 Zhang ..... D9/686  
D889,635 S 7/2020 Mitchell et al.  
D900,303 S 10/2020 Mitchell et al.  
10,814,077 B2 10/2020 Dyche et al.  
10,835,691 B2 11/2020 Dyche et al.  
D905,846 S 12/2020 Mitchell et al.  
D906,530 S 12/2020 Liu  
D908,965 S \* 1/2021 Pae ..... D28/76  
D943,733 S \* 2/2022 Cavatorta ..... D24/110.5  
11,273,267 B2 3/2022 Gavini et al.  
D958,672 S 7/2022 Warner  
D962,070 S \* 8/2022 Yoshida ..... D9/561  
11,439,218 B2 9/2022 Gouchtchina et al.  
D965,770 S 10/2022 Shah et al.  
D970,352 S 11/2022 Chan  
11,641,921 B1 \* 5/2023 Gouchtchina ..... B05B 7/2443  
132/200  
D990,046 S \* 6/2023 Levy ..... D24/146  
2003/0063801 A1 4/2003 Rubinstenn et al.

2003/0084914 A1 5/2003 Simon  
2003/0157183 A1 8/2003 Perrut  
2004/0050964 A1 3/2004 Wong et al.  
2005/0054991 A1 3/2005 Tobyn et al.  
2006/0124662 A1 6/2006 Reynolds et al.  
2006/0127425 A1 6/2006 Walls et al.  
2006/0242780 A1 11/2006 Yang et al.  
2009/0039177 A1 2/2009 Bourhis  
2009/0206174 A1 8/2009 Arnaud et al.  
2010/0147883 A1 6/2010 Fedorov  
2010/0170964 A1 7/2010 Fedorov  
2010/0287991 A1 11/2010 Brown et al.  
2011/0106021 A1 5/2011 Ruegg et al.  
2011/0118694 A1 5/2011 Yodfat et al.  
2011/0248052 A1 10/2011 Kelly et al.  
2013/0092285 A1 4/2013 Feriani et al.  
2013/0245604 A1 9/2013 Kouyoumjian et al.  
2013/0296807 A1 11/2013 Lintern et al.  
2015/0021364 A1 1/2015 Zehnder et al.  
2015/0201791 A1 7/2015 Tinkler et al.  
2015/0335586 A1 11/2015 Baruzzi et al.  
2016/0022011 A1 1/2016 Rabe et al.  
2016/0192760 A1 7/2016 Nishiura et al.  
2017/0051480 A1 2/2017 Farcet et al.  
2017/0151362 A1 6/2017 Edwards et al.  
2017/0340087 A1 11/2017 Samain et al.  
2018/0050354 A1 2/2018 Delsard  
2018/0318642 A1 11/2018 Lunz et al.  
2019/0015857 A1 1/2019 Gouchtchina et al.  
2020/0315319 A1 10/2020 Samain  
2021/0178135 A1 \* 6/2021 Brinkman ..... A61P 17/00  
2021/0307484 A1 10/2021 Gouchtchina et al.  
2023/0123741 A1 4/2023 Gouchtchina et al.

FOREIGN PATENT DOCUMENTS

CN 206228711 U 6/2017  
CN 208004186 U 10/2018  
EP 2123318 A1 11/2009  
EP 2308603 A1 4/2011  
EP 2433656 A1 3/2012  
JP 2006198201 A 8/2006  
JP 3215873 U 4/2018  
KR 20120108252 A 10/2012  
KR 20120132067 A 12/2012  
KR 20130130569 A 12/2013  
TW 564484 B 12/2003  
WO 2008058160 A2 5/2008  
WO 2015191014 A1 12/2015  
WO 2016046385 A1 3/2016  
WO 2017080685 A1 5/2017  
WO 2019148116 A1 8/2019

OTHER PUBLICATIONS

Kozhya Air, kickstarter.com, first available Nov. 13, 2017 [online], [site visited Oct. 18, 2023], Available from internet, URL: <https://www.kickstarter.com/projects/748624652/kozhya-air> (Year: 2017).\*

Le Mieux Ionized Oxygen Infuser, lemieuxskincare.com, customer review oldest Jul. 7, 2021 [online], [site visited Oct. 18, 2023], Available from internet, URL: <https://lemieuxskincare.com/products/ionized-oxygen-infuser> (Year: 2021).\*

Nano Spray Oxygen Injector Airbrush, temu.com, customer review oldest Jul. 29, 2023 [online], [site visited Oct. 18, 2023], Available from internet, URL: <https://tinyurl.com/44n3f7ua> (Year: 2023).\*

Fenty Skin Hydra Vizor Invisible Moisturizer, sephora.com, customer review oldest Dec. 21, 2020 [online], [site visited Oct. 18, 2023], Available from internet, <https://www.sephora.com/product/fenty-skin-hydra-vizor-moisturizer-broad-spectrum-spf-30-sunscreen-p467249> (Year: 2020).\*

U.S. Appl. No. 29/837,786, filed May 9, 2022, Yoanna A. Gouchtchina.  
U.S. Appl. No. 29/837,791, filed May 9, 2022, Yoanna A. Gouchtchina.  
U.S. Appl. No. 29/837,813, filed May 9, 2022, Enrique Gallar.  
U.S. Appl. No. 29/837,826, filed May 9, 2022, Enrique Gallar.  
Search Report received in International Application No. PCT/US22/46510 dated Aug. 14, 2023, 5 pages.

(56)

**References Cited**

OTHER PUBLICATIONS

Written Opinion received in International Application No. PCT/US22/46510 dated Aug. 14, 2023, 7 pages.

Anywhere Portable Bottle Humidifier, multitasky.com, [online], [site visited Oct. 18, 2023], Available from internet, URL: <https://multitasky.com/products/the-anywhere-humidifier> (Year: 2023).

Hydrogen Water Rejuvenating Instrument, aliexpress.us, customer review oldest Jul. 17, 2023 [online], [site visited Oct. 18, 2023], Available from internet, URL: <https://www.aliexpress.us/item/3256804679918558.html> (Year: 2023).

J Isu Li Fe Mini Portable Humidifier, amazon.com, first available Mar. 6, 2021 [online], [site visited Oct. 18, 2023], Available from internet, URL: [https://www.amazon.com/J-ISU-LI-FE-Humidifier-Humidifiers-Container-Diversity/dp/B08Y6NH6KH/ref=asc\\_df\\_B08Y6NH6KH](https://www.amazon.com/J-ISU-LI-FE-Humidifier-Humidifiers-Container-Diversity/dp/B08Y6NH6KH/ref=asc_df_B08Y6NH6KH) (Year: 2021).

\* cited by examiner

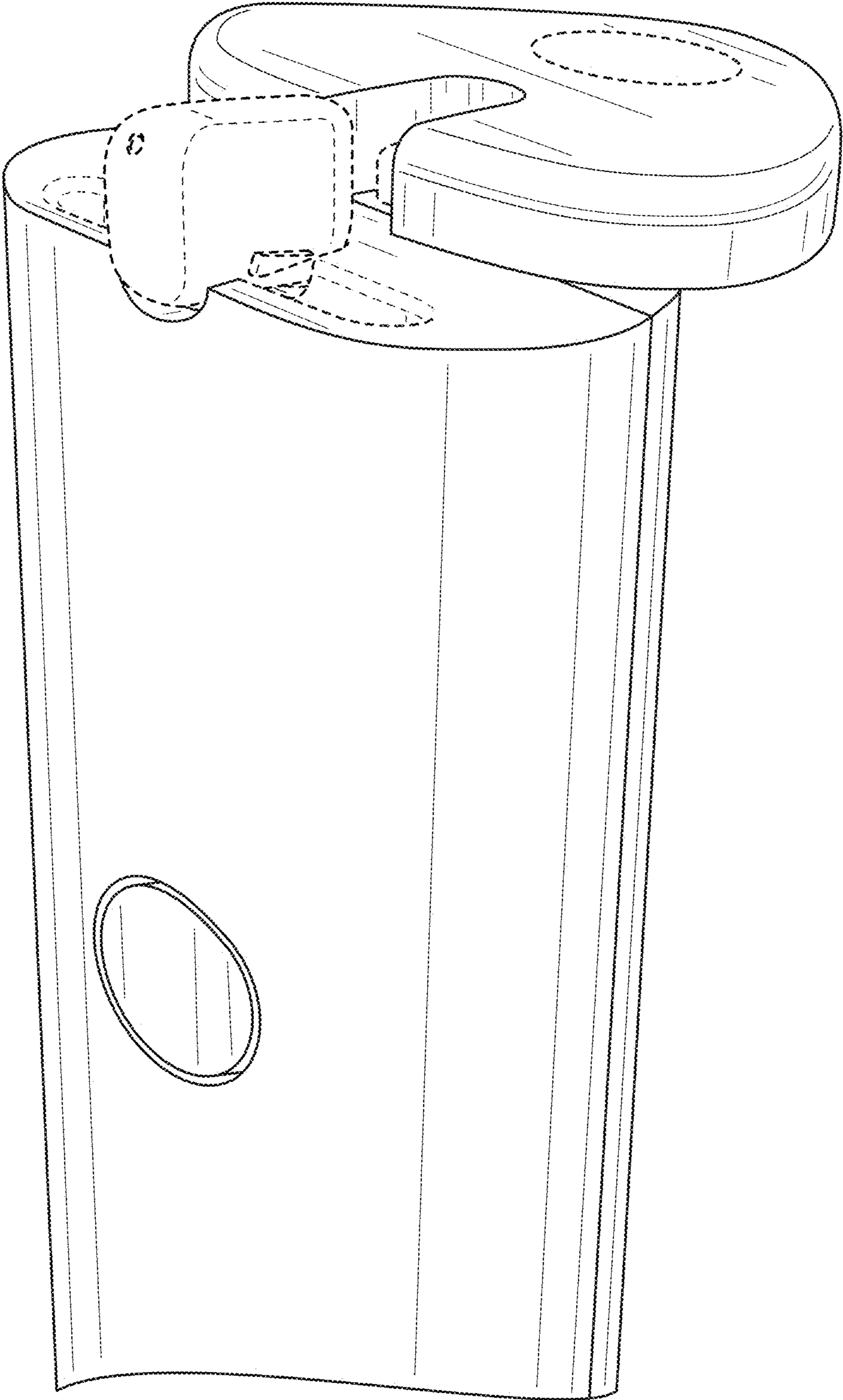


FIG. 1

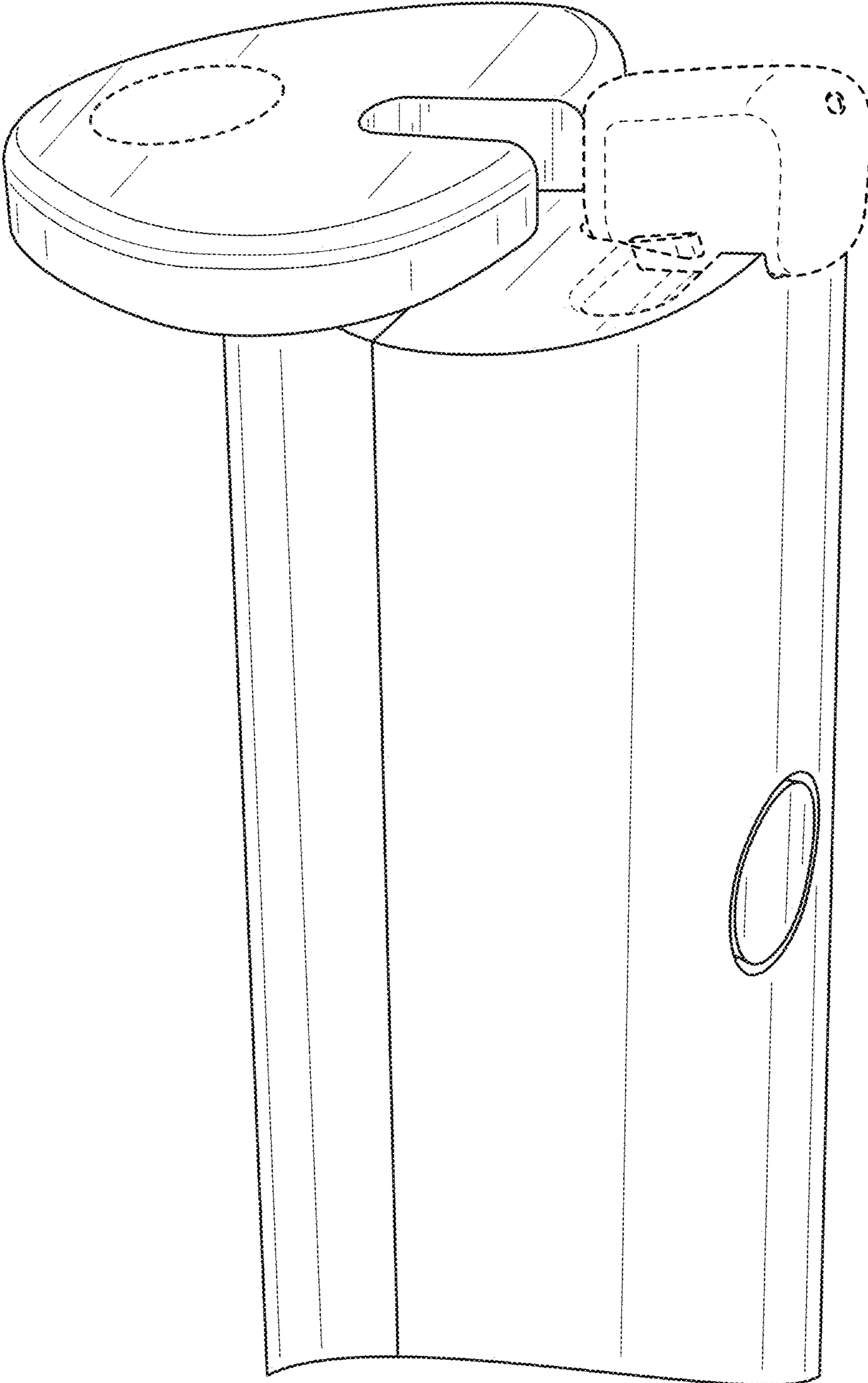


FIG. 2

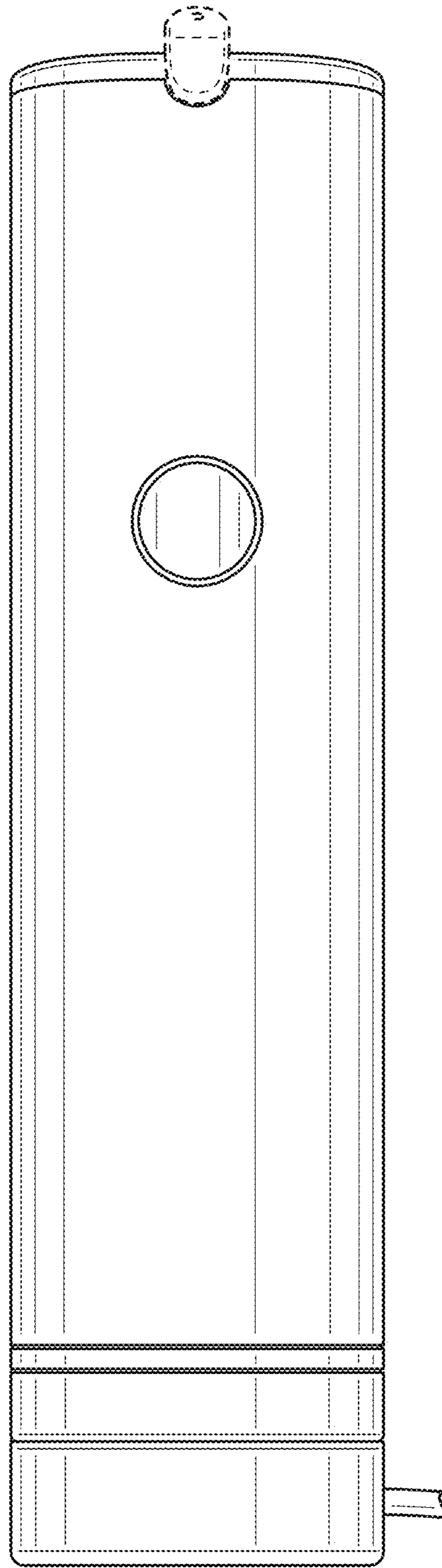


FIG. 3

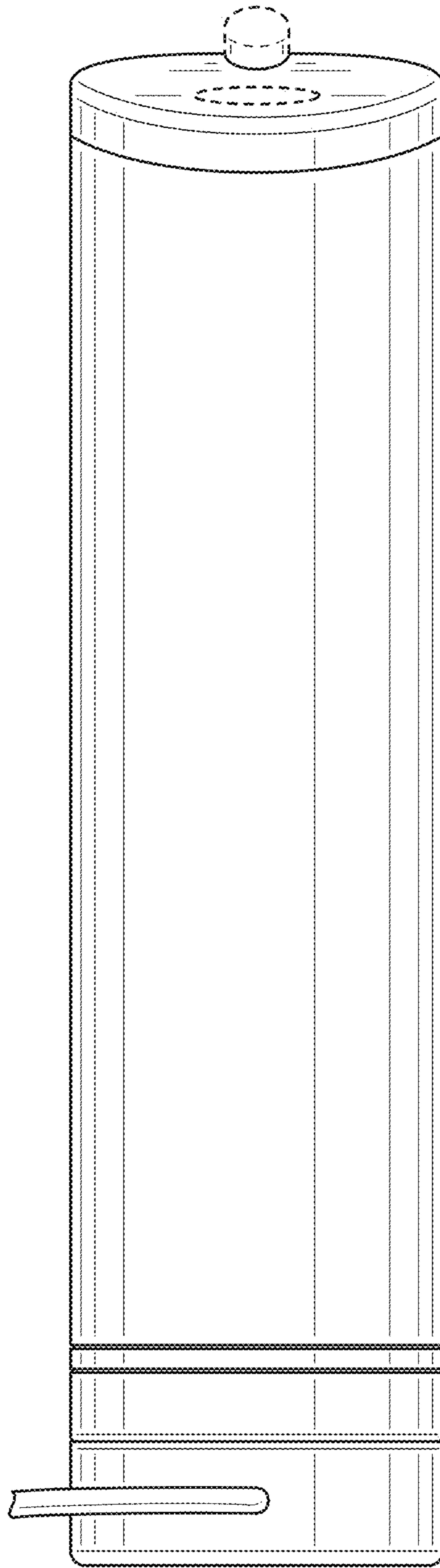


FIG. 4

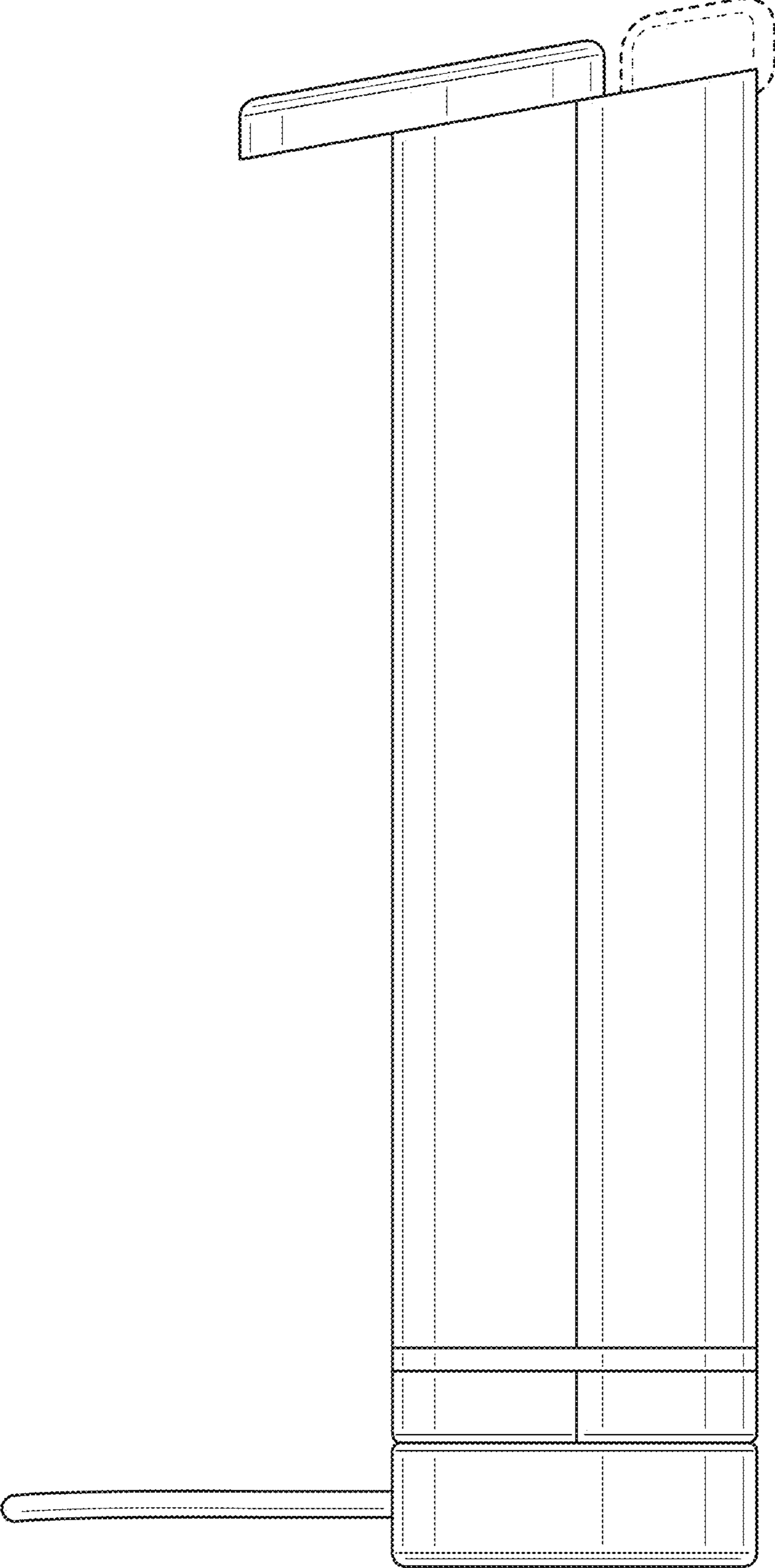


FIG. 5



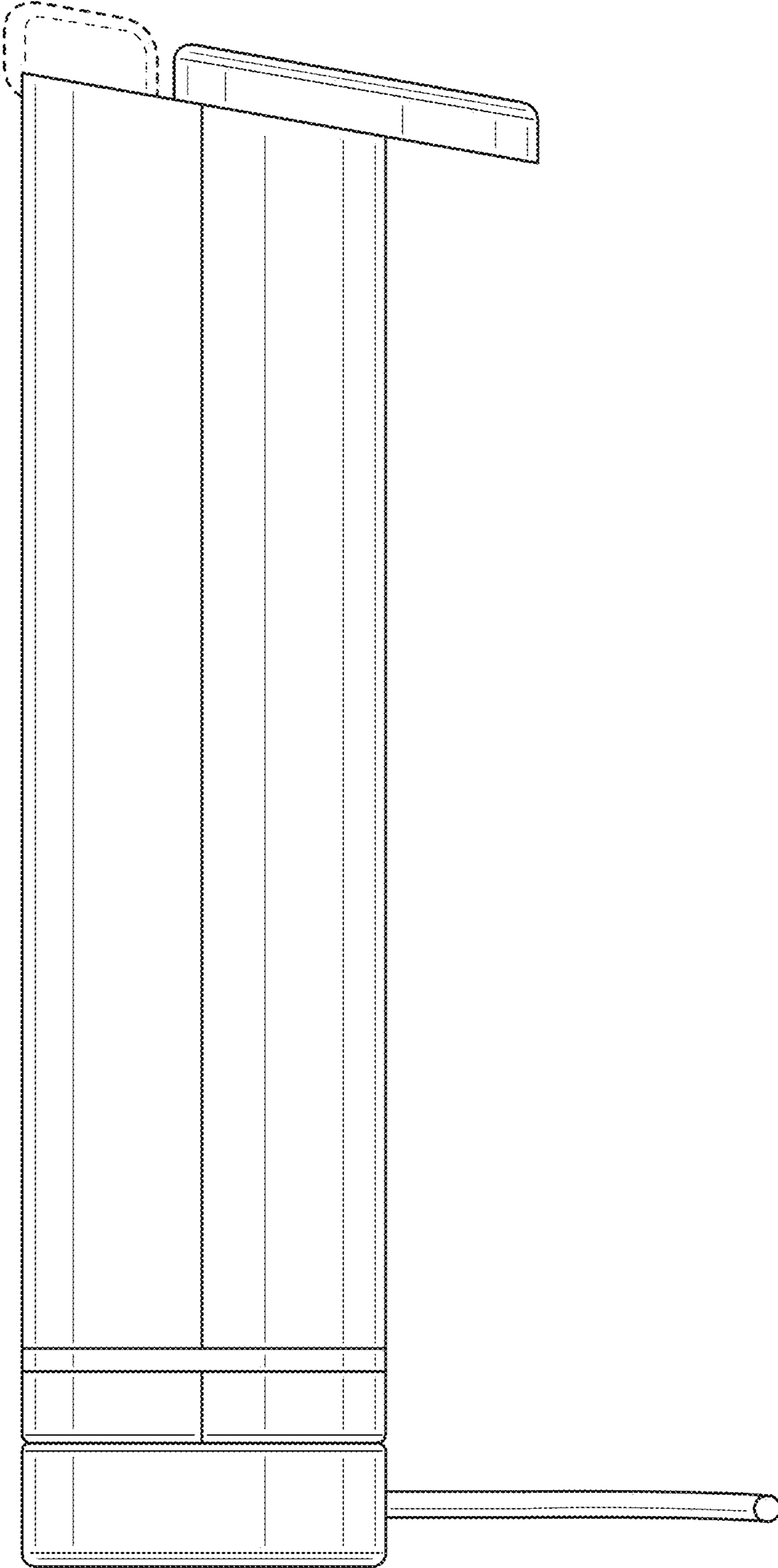


FIG. 6

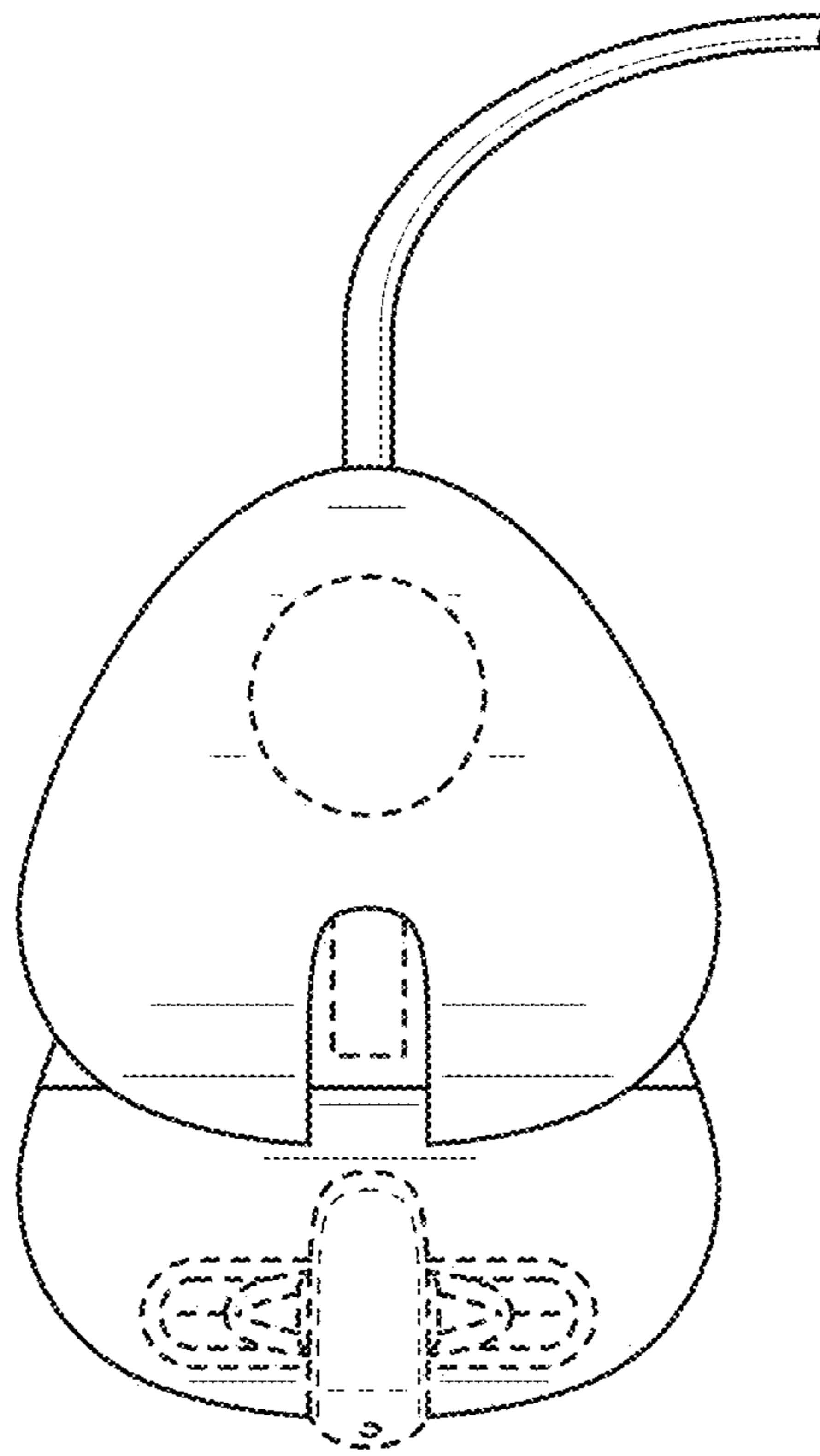


FIG. 7

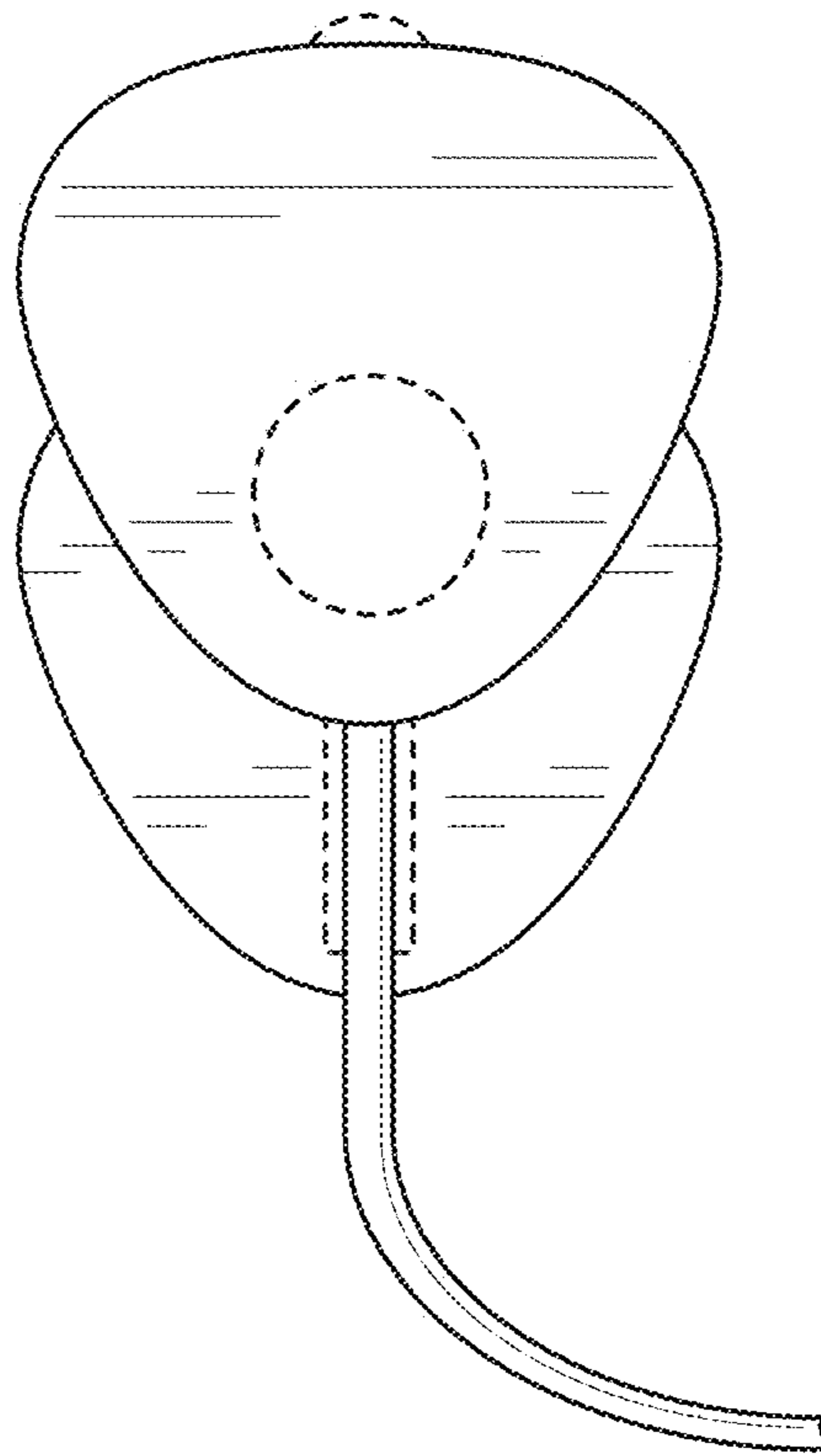


FIG. 8