



US0D1038292S

(12) **United States Design Patent** (10) **Patent No.:** **US D1,038,292 S**
Long (45) **Date of Patent:** **** Aug. 6, 2024**

(54) **PALM LEVERAGE HANDHELD BODY STRENGTHENING APPARATUS HANDLE**

D599,185 S * 9/2009 Himbert D8/97
D680,403 S * 4/2013 Adams D8/107
9,707,433 B1 * 7/2017 McGibbons A63B 21/00076
D823,661 S * 7/2018 Wolf D8/97
D856,448 S * 8/2019 Chuang D21/694
(Continued)

(71) Applicant: **Vincent Reese Long**, San Leandro, CA (US)

(72) Inventor: **Vincent Reese Long**, San Leandro, CA (US)

(**) Term: **15 Years**

(21) Appl. No.: **29/869,848**

(22) Filed: **Jan. 10, 2023**

(51) **LOC (14) Cl.** **21-02**

(52) **U.S. Cl.**
USPC **D21/694**; D8/69; D8/97; D8/107;
D8/303; D21/662; D21/673; D21/682

(58) **Field of Classification Search**
USPC D8/67, 69, 97, 107, 303, 307; D21/662,
D21/673, 675, 679, 680, 682, 691, 694
CPC A63B 21/4035; A63B 21/072; A63B
21/4033; A63B 1/00; A63B 2244/09;
B25G 1/04; B25G 1/00
See application file for complete search history.

(56) **References Cited**

U.S. PATENT DOCUMENTS

2,617,650 A 11/1952 Landis
4,351,526 A 9/1982 Schwartz
4,589,655 A 5/1986 Ammon
4,768,780 A 9/1988 Hayes
5,033,740 A 7/1991 Schwartz
5,281,192 A 1/1994 Nelson
D483,640 S * 12/2003 Jimenez D8/97
6,689,022 B1 * 2/2004 Emick A63B 21/06
482/93
D488,982 S * 4/2004 Jimenez D8/97
7,473,213 B1 * 1/2009 Kallenbach A63B 21/4017
16/428
D586,643 S * 2/2009 Himbert D8/97
D587,767 S * 3/2009 Hauser D21/662

FOREIGN PATENT DOCUMENTS

GB 2454036 A * 4/2009 A63B 1/00

OTHER PUBLICATIONS

Handeful, Grip Strength Tester Trainer, published on Jan. 30, 2023 [online]. Retrieved from internet (Date: Mar. 25, 2024), <https://www.amazon.com/Handeful-Dynamometer-Measurement-Capturing-Electronic/dp/B0BNQ9FTXM/?th=1> (Year: 2023).*

(Continued)

Primary Examiner — Katherine A Holbrow
Assistant Examiner — Riya Salil Kamat

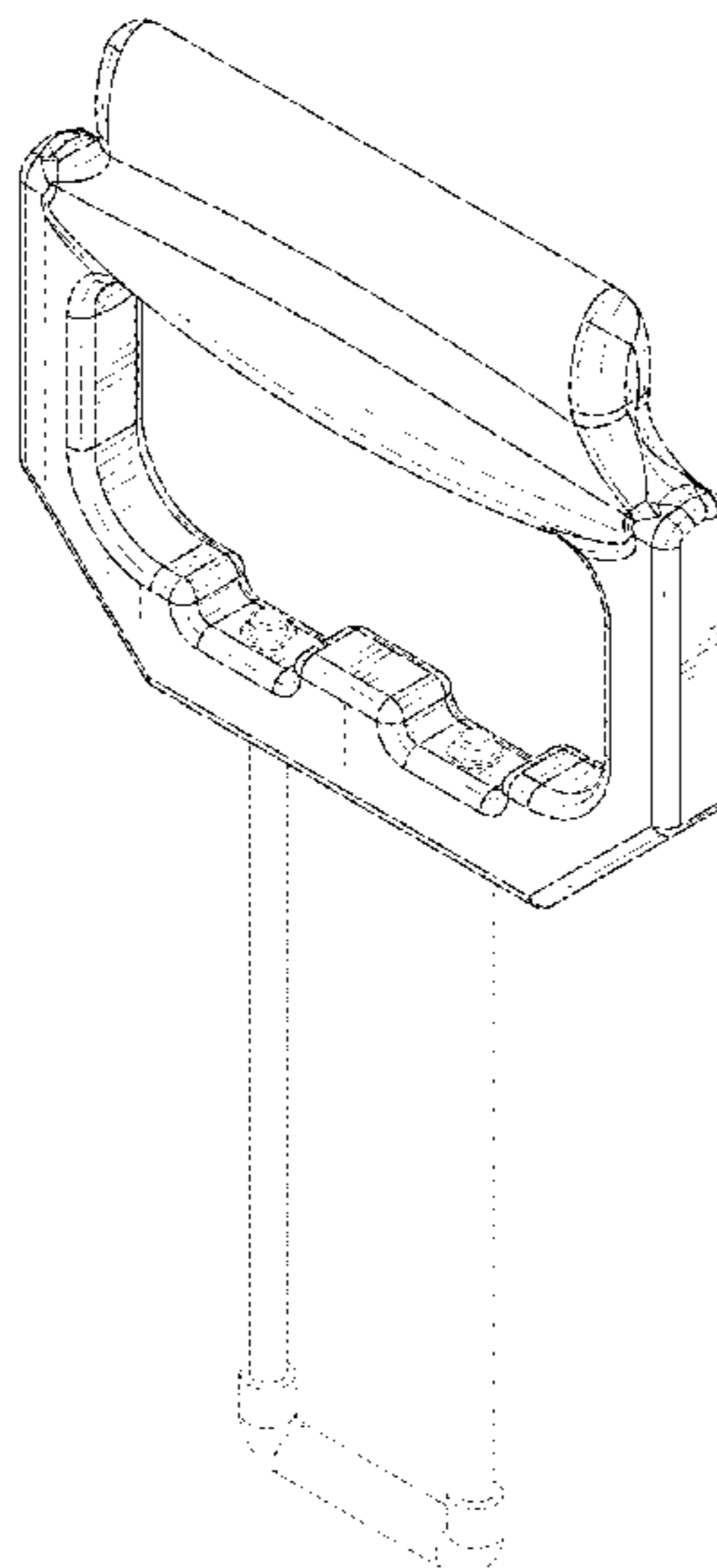
(57) **CLAIM**

The ornamental design for a palm leverage handheld body strengthening apparatus handle, as shown and described.

DESCRIPTION

FIG. 1 is perspective view of a palm leverage handheld body strengthening apparatus handle showing my new design; FIG. 2 is a front view thereof; FIG. 3 is a back view thereof; FIG. 4 is a left view thereof; FIG. 5 is a right view thereof; FIG. 6 is a top view thereof; and, FIG. 7 is a bottom view thereof. The broken lines in FIGS. 1-5 and FIG. 7 showing extended rods and rod connector are included for the purpose of illustrating environmental structure and forms no part of the claimed design.

1 Claim, 7 Drawing Sheets



(56)

References Cited

U.S. PATENT DOCUMENTS

D863,903 S * 10/2019 Hua D8/107
10,596,412 B2 3/2020 Sinclair
D1,016,938 S * 3/2024 Liu D21/679
2010/0190619 A1 * 7/2010 Chen A63B 21/072
482/108
2012/0258847 A1 * 10/2012 Lafferty A63B 26/003
482/141
2017/0246495 A1 * 8/2017 Wyncott A63B 21/072
2017/0252598 A1 * 9/2017 Ross A63B 21/00065
2021/0154520 A1 * 5/2021 Sundblad A63B 21/4035
2022/0258000 A1 * 8/2022 Guthlein A63B 21/4035

OTHER PUBLICATIONS

Ypcbynbs, Hand Exerciser, published on Feb. 14, 2023 [online].
Retrieved from internet (Date: Mar. 25, 2024), <https://www.amazon.com/YPCBYNBS-Exerciser-Strength-Training-Strengthener/dp/B0BVQP76QM/> (Year: 2023).*

Vikingstrength, Farmers walk handles, published on Jul. 7, 2021
[online]. Retrieved from internet (Date: Mar. 25, 2024), <https://www.amazon.com/Vikingstrength-Strongman-equipment-attachment-V-Strength/dp/B09F714FXQ/> (Year: 2021).*

* cited by examiner

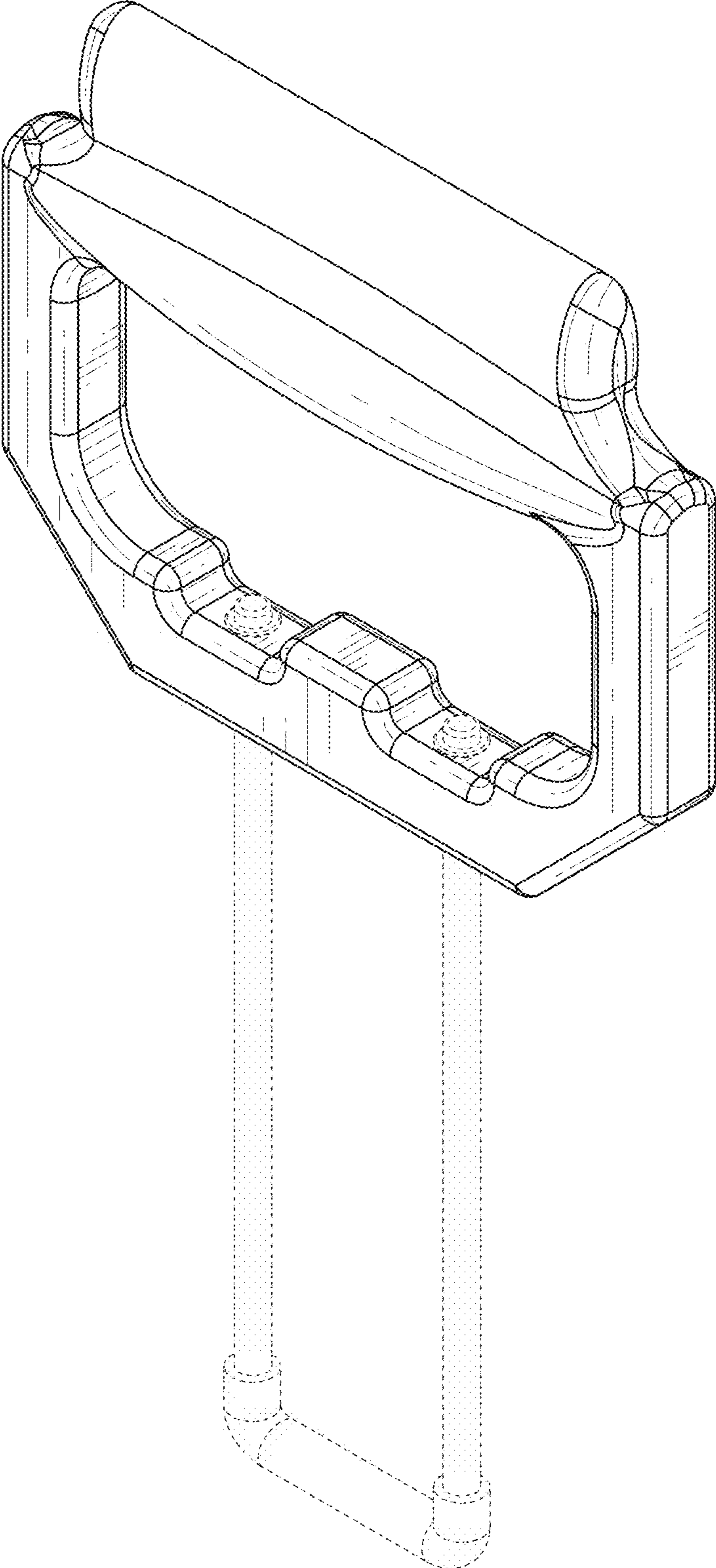


FIG. 1

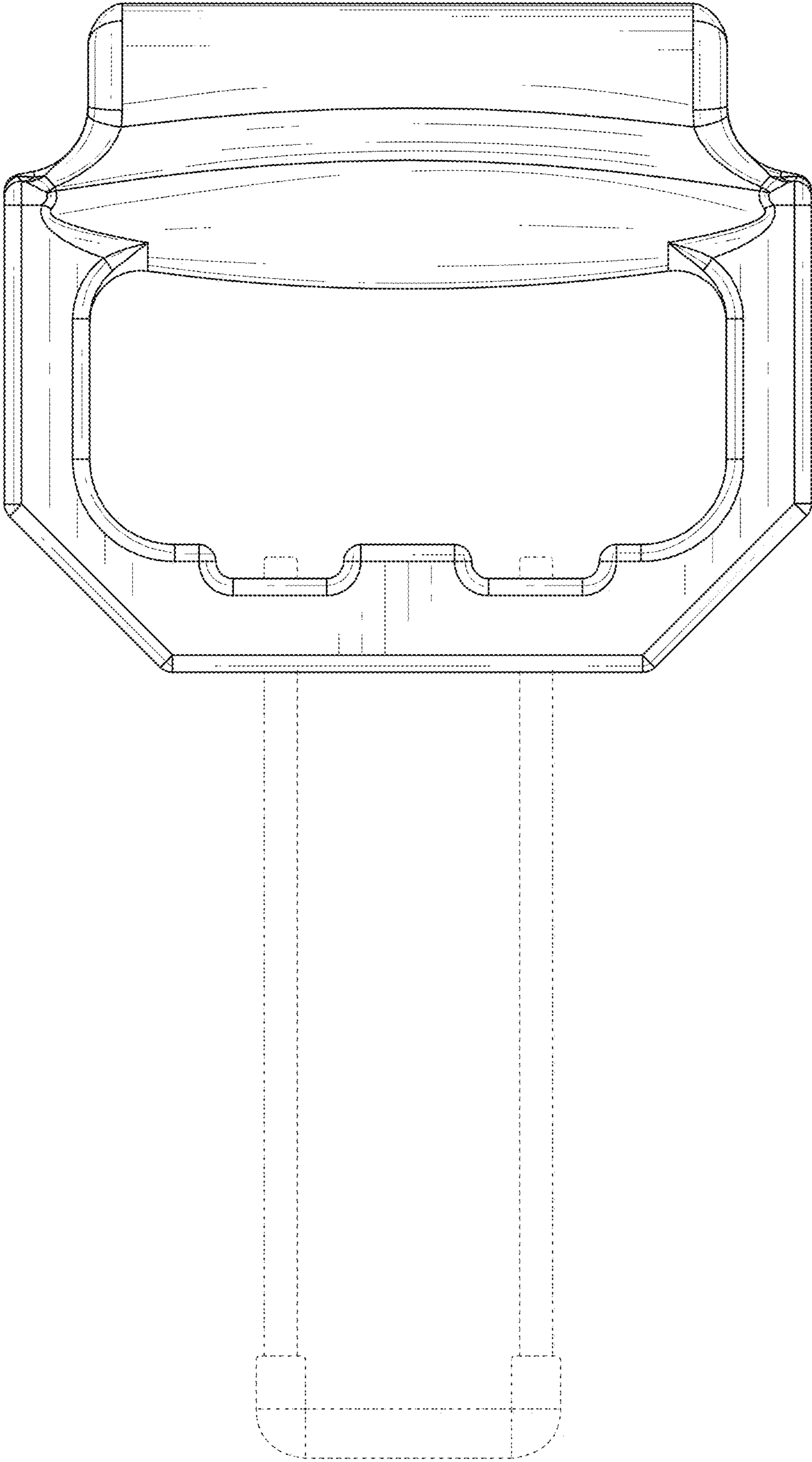


FIG. 2

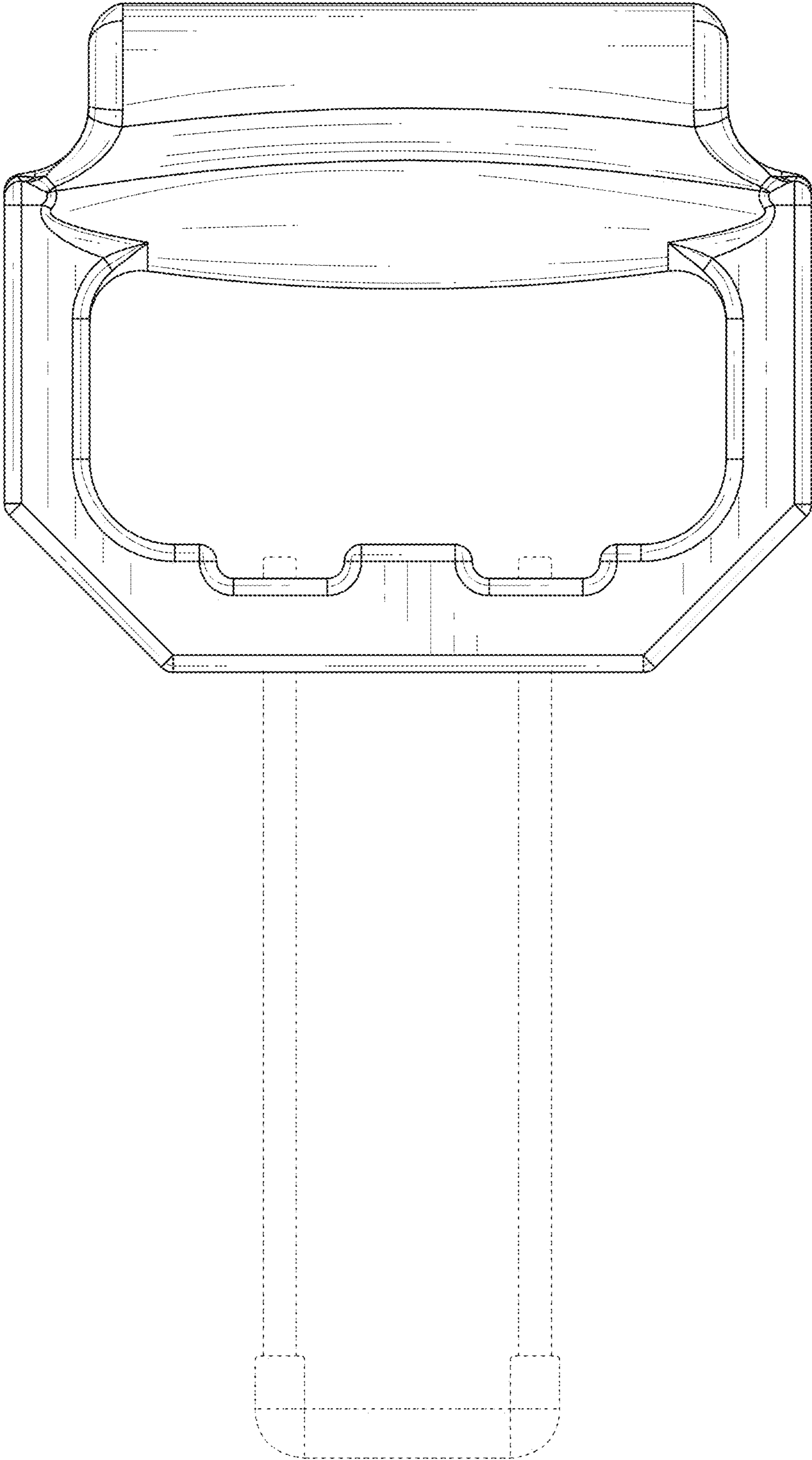


FIG. 3

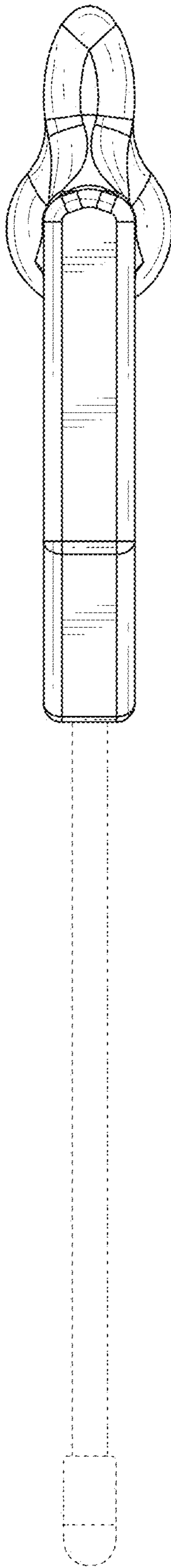


FIG. 4

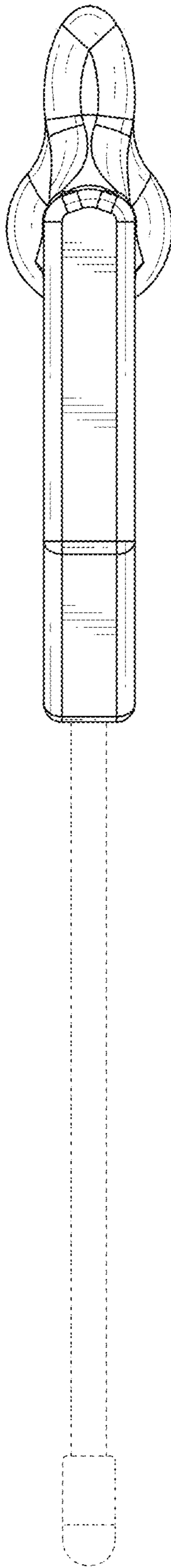


FIG. 5

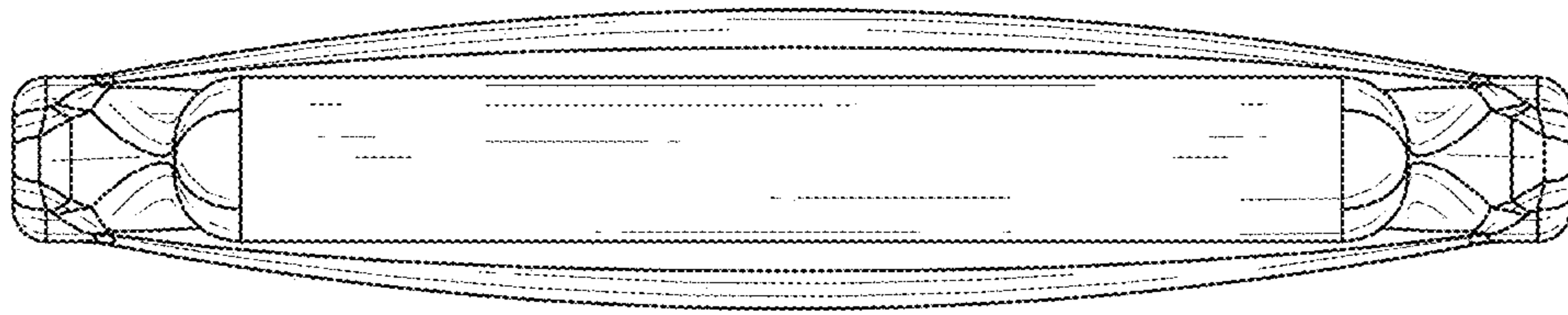


FIG. 6

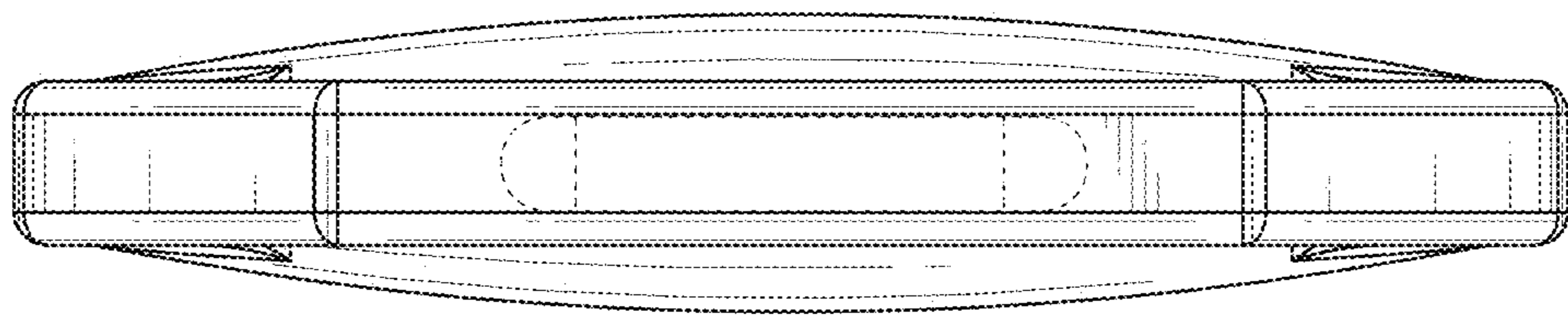


FIG. 7