



US0D1038274S

(12) **United States Design Patent** (10) **Patent No.:** **US D1,038,274 S**
Ewing et al. (45) **Date of Patent:** **** Aug. 6, 2024**

(54) **MODEL VEHICLE WING**
(71) Applicant: **TRAXXAS, L.P.**, McKinney, TX (US)
(72) Inventors: **Adam Cole Ewing**, McKinney, TX (US); **Kent Poteet**, Lucas, TX (US); **Casey Christen Jens Christensen**, McKinney, TX (US); **Otto Karl Allmendinger**, Rowlett, TX (US); **Skylar Hagler**, Anna, TX (US); **Jory Sprowl**, Honey Grove, TX (US)
(73) Assignee: **TRAXXAS, L.P.**, McKinney, TX (US)
(**) Term: **15 Years**
(21) Appl. No.: **29/847,749**
(22) Filed: **Jul. 27, 2022**
(51) **LOC (14) Cl.** **21-01**
(52) **U.S. Cl.**
USPC **D21/561**
(58) **Field of Classification Search**
USPC D21/433, 495, 548, 533, 561, 562, 563;
D12/92, 159, 160, 172, 181, 190, 204,
D12/327
CPC A63H 17/262; A63H 17/26; A63H 17/002;
A63H 29/24
See application file for complete search history.

6,786,795 B1 9/2004 Mullaney et al.
D498,720 S 11/2004 Dyson et al.
D535,598 S 1/2007 Murkett
D535,708 S 1/2007 Yuen
7,175,229 B2 2/2007 Garcia
D547,249 S 7/2007 Kurtz et al.
D566,789 S 4/2008 Idiot
(Continued)

OTHER PUBLICATIONS

Traxxas XRT 8S Extreme 4WD Brushless RTR Race Monster Truck (Green) w/TQi 2.4GHz Radio & TSM, as shown in www.hobbytown.com, Nov. 18, 2022, Part# TRA78086-4-GRN. (Year: 2022).*
(Continued)

Primary Examiner — Gino Colan
Assistant Examiner — Gregory G McLemore
(74) *Attorney, Agent, or Firm* — Daryl R. Wright; Greg Carr

(57) **CLAIM**

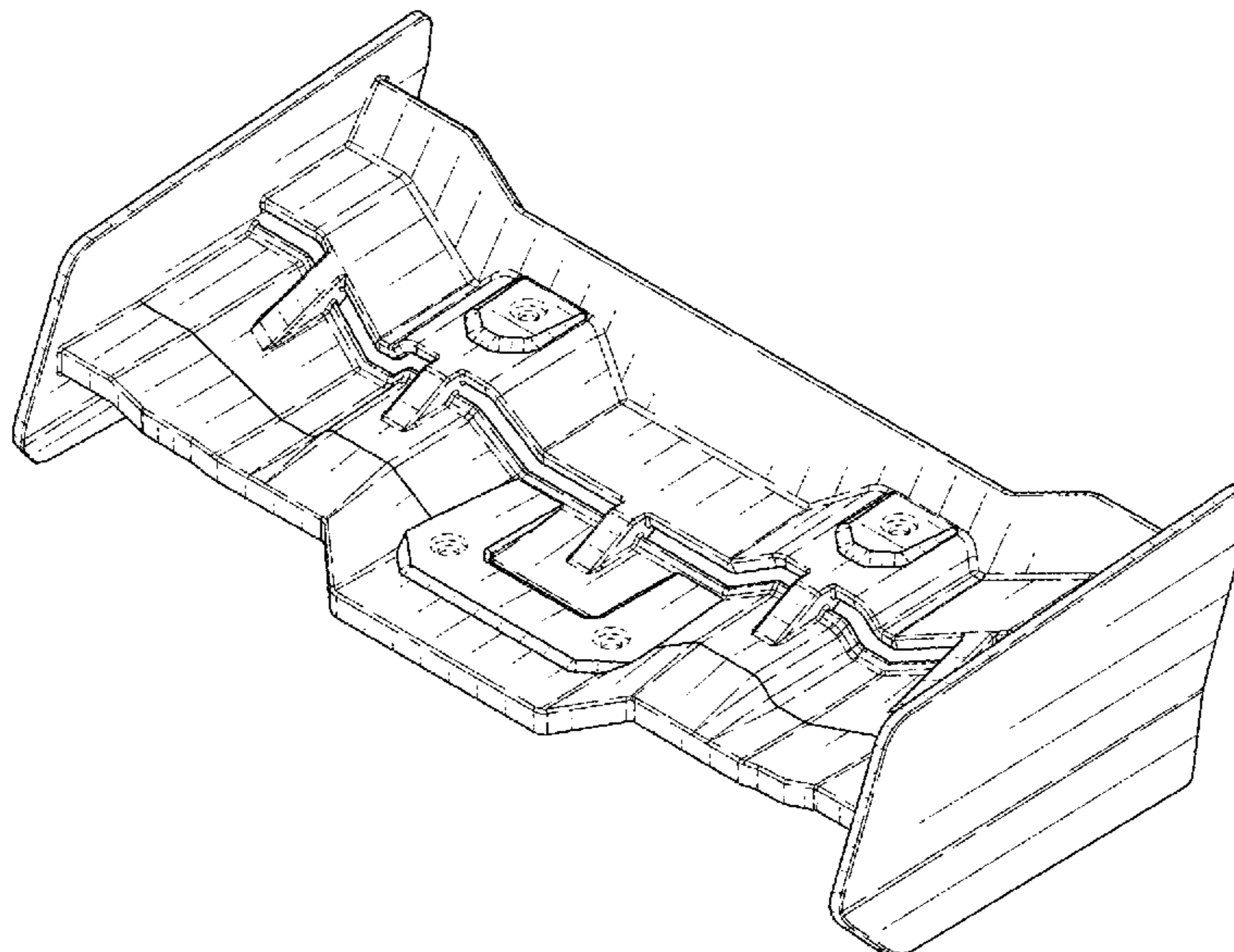
We claim the ornamental design for a model vehicle wing, as shown and described.

DESCRIPTION

FIG. 1 is an upper, left, front perspective view of a model vehicle wing showing our new design; FIG. 2 is a front elevation view thereof; FIG. 3 is a rear elevation view thereof; FIG. 4 is a right side elevation view thereof; FIG. 5 is a left side elevation view thereof; FIG. 6 is an upper plan view thereof; FIG. 7 is a lower plan view thereof; FIG. 8 is an upper, right, rear perspective view thereof; and, FIG. 9 is a lower, right, rear perspective view of the model vehicle wing.
In the drawings, the broken lines illustrate portions of the model vehicle wing that form no part of the claimed design.

1 Claim, 5 Drawing Sheets

(56) **References Cited**
U.S. PATENT DOCUMENTS
D277,494 S 2/1985 Lerch
D281,000 S 10/1985 Kuna et al.
D307,248 S 4/1990 Dettling
5,076,636 A 12/1991 Buck et al.
D407,997 S 4/1999 Sacco et al.
D437,309 S 2/2001 Brennan
D473,831 S 4/2003 Saleen
D488,113 S 4/2004 Nelson
D496,409 S 9/2004 Tilbor



(56)

References Cited

OTHER PUBLICATIONS

U.S. PATENT DOCUMENTS

D566,790 S 4/2008 Idiot
 D567,301 S 4/2008 Idiot
 D577,314 S 9/2008 Dockery
 D603,295 S 11/2009 Honeycutt et al.
 D605,083 S 12/2009 Manoogian, II et al.
 D612,767 S 3/2010 Barkan
 D656,439 S 3/2012 Saracoglu
 D690,372 S 9/2013 Fujiwara
 D728,037 S 4/2015 Barajas et al.
 D769,378 S 10/2016 Belker et al.
 D770,575 S 11/2016 Belker et al.
 D771,202 S 11/2016 Gan
 D771,203 S 11/2016 Gan
 D790,402 S 6/2017 Perini
 D792,285 S 7/2017 Manzoni et al.
 D792,526 S 7/2017 Belker et al.
 D802,685 S 11/2017 Barajas et al.
 9,944,335 B2 4/2018 Shinedling et al.
 D820,166 S 6/2018 Borkert
 D820,181 S 6/2018 Chen
 D821,918 S 7/2018 Seidl
 D823,727 S 7/2018 Hauser
 D824,288 S 7/2018 Hauser
 D826,784 S 8/2018 Hauser
 D842,182 S 3/2019 Lee
 D856,434 S 8/2019 Wood
 D856,435 S 8/2019 Wood
 D857,807 S 8/2019 Wood
 D862,610 S 10/2019 Barajas et al.
 D862,611 S 10/2019 Barajas et al.
 D876,555 S * 2/2020 Barajas D21/548
 D879,209 S 3/2020 Ewing
 D905,603 S 12/2020 DiCanzio
 D906,201 S 12/2020 Chen
 D909,938 S 2/2021 Ninov et al.
 D915,960 S 4/2021 Oliver et al.
 D930,087 S 9/2021 Barajas et al.
 D930,760 S 9/2021 Ewing et al.
 D931,172 S 9/2021 Zheng
 D935,531 S 11/2021 Barajas et al.
 D940,253 S * 1/2022 Bao D21/533
 D940,254 S * 1/2022 Lin D21/548
 D942,339 S 2/2022 Verbrugge
 D962,135 S 8/2022 Chen
 D962,136 S 8/2022 Chen
 D972,472 S 12/2022 Taverna
 D972,993 S 12/2022 Taverna
 D975,203 S 1/2023 Xu
 D988,213 S 6/2023 Xian
 D988,216 S 6/2023 Larson
 D999,302 S 9/2023 Barajas et al.
 D1,006,891 S * 12/2023 Christensen D21/561
 D1,014,653 S * 2/2024 Christensen D21/561
 D1,014,654 S * 2/2024 Allmendinger D21/561
 2009/0195016 A1 8/2009 Schwan et al.
 2011/0177755 A1 7/2011 Nakayama et al.
 2013/0221701 A1 8/2013 De Luca
 2023/0219010 A1 7/2023 Christensen et al.
 2024/0115964 A1 * 4/2024 Christensen H02K 9/18
 2024/0115965 A1 * 4/2024 Christensen A63H 17/262

Traxxas XRT Wing (Blue), as shown in www.hobbytown.com, May 16, 2023, Part# TRA7821X. (Year: 2023).*

ARRMA Rear Wing, ARA480044, as shown in www.amazon.com, Aug. 16, 2022, ASIN B0BHN11X26. (Year: 2022).*

ARRMA Rear Wing, ARAC9608 Large, as shown in www.amazon.com, Oct. 3, 2017, ASIN B0764LM5TG. (Year: 2017).*

ARRMA 4S BLX Rear Wing (Black), as shown in www.hobbytown.com, Jul. 16, 2019, Part # ARA480012. (Year: 2019).*

ARRMA 224mm Rear Wing (White), as shown in www.hobbytown.com, Dec. 19, 2014, Part # ARA480004. (Year: 2014).*

Tekno RC 1/8 High Down Force Buggy Wing (Roar/Ifmar Legal) (Black), as shown in www.amainhobbies.com, Jun. 16, 2016, Part # TKR5292K. (Year: 2016).*

Team Associated Reflex 14B/14T Plastic Wing (Black), as shown in www.hobbytown.com, Nov. 12, 2018, Part #ASC21545. (Year: 2018).*

Amazon.com. "Traxxas TRA6721 Wing, Rustler 4x4 (Black)" First reviewed Aug. 23, 2019. Retrieved Sep. 22, 2019. (<https://www.amazon.com/Traxxas-TRA6721-Rustler-Black-3x8mm/dp/B07HJHBM85/>).

Wing, Chevrolet C10, traxxas.com, first archived Sep. 24, 2021 [online], [site visited Mar. 21, 2023], Available from internet, URL: <https://web.archive.org/web/20210924085123/https://traxxas.com/products/parts/9414> (Year: 2021).

Traxxas Drag Slash Chevrolet C10, hobbytown.com, first available Aug. 6, 2021 [online], [site visited Mar. 21, 2023], Available from internet, URL: <https://www.hobbytown.com/traxxas-drag-slash-chevrolet-c10-prepainted-body-green-tra9411g/p1330083> (Year: 2021).

Traxxas 9411G Body, amazon.com, customer review oldest date Feb. 23, 2022 [online], [site visited Mar. 21, 2023], Available from internet, URL: <https://www.amazon.com/Traxxas-9411G-Chevrolet-Green-Decals/dp/B0989XJV5T> (Year: 2022).

Traxxas Drag Slash Chevrolet C10 Wing, hobbytown.com, first available Sep. 20, 2021 [online], [site visited Mar. 21, 2023], Available from internet, URL: <https://www.hobbytown.com/traxxas-drag-slash-chevrolet-c10-wing-tra9414/p1330089> (Year: 2021).

Traxxas 9411A Body Chevrolet C10 (Black), amazon.ca, first available Jan. 26, 2022 [online], [site visited Mar. 21, 2023], Available from internet, URL: <https://www.amazon.ca/TRAXXAS-9411A-CHEVROLET-BLACK-INCLUD/dp/B09N76LX5B> (Year: 2022).

Vgoohobby RC Force Rear Spoiler, amazon.com, customer review oldest date Aug. 6, 2021 [online], [site visited Mar. 21, 2023], Available from internet, URL: <https://www.amazon.com/Vgoohobby-Force-Spoiler-High-Down-Redcat/dp/B094CYPJ44> (Year: 2021).

Traxxas 7122 E-Revo Wing, amazon.com, first available May 2, 2009 [online], [site visited Mar. 21, 2023], Available from internet, URL: <https://www.amazon.com/dp/B00287YYVY> (Year: 2009).

ShareGoo Wing Body Spoiler, amazon.com, customer review oldest date Feb. 16, 2023 [online], [site visited Mar. 21, 2023], Available from internet, URL: <https://www.amazon.com/dp/B087J3MHYZ> (Year: 2023).

Traxxas Sledge Rear Wing (Black), as shown on www.hobbytown.com, Jun. 30, 2022, Part #TRA9517. (Year: 2022).

* cited by examiner

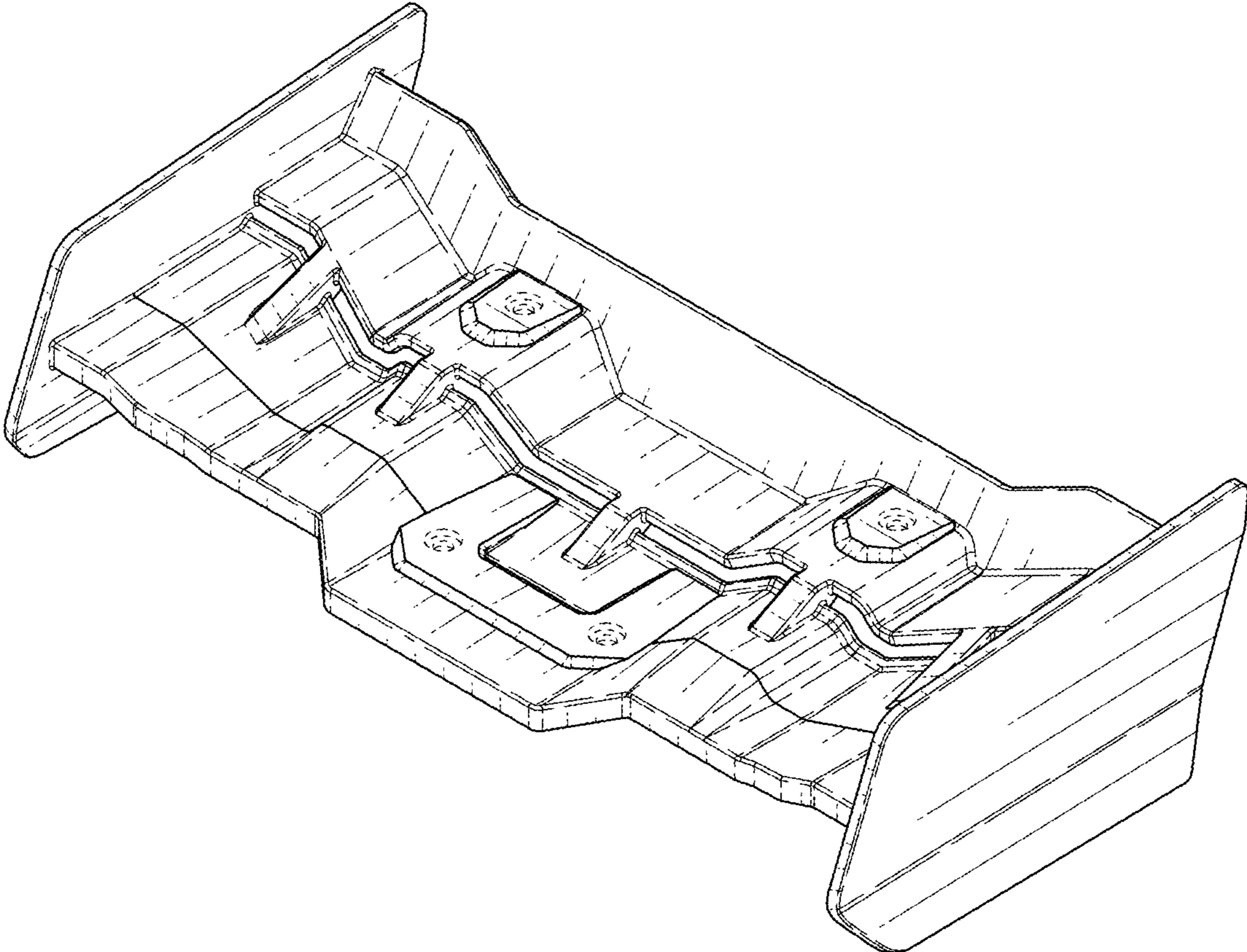


FIG. 1

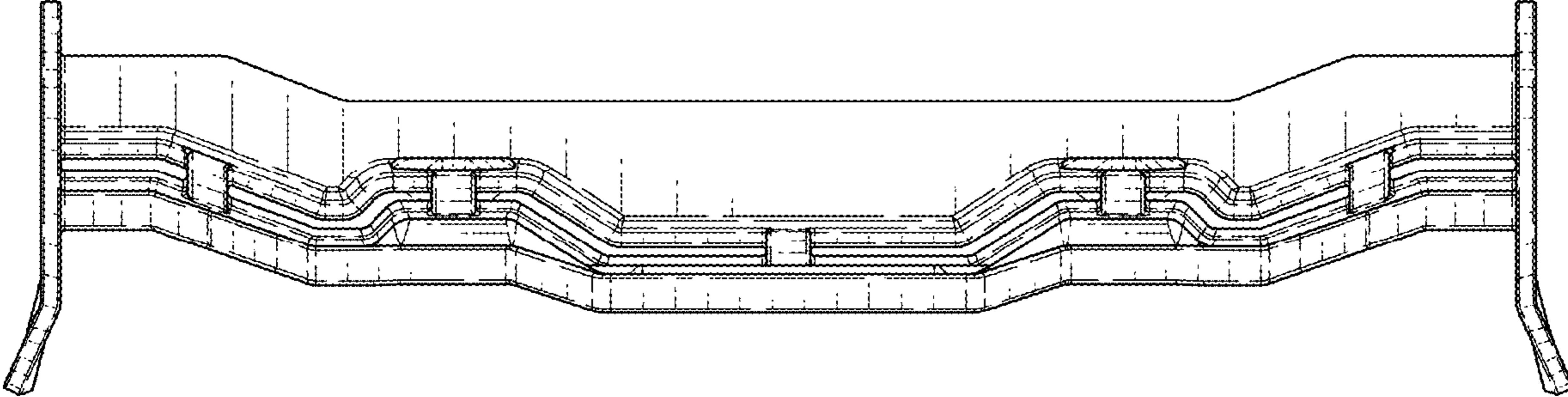


FIG. 2

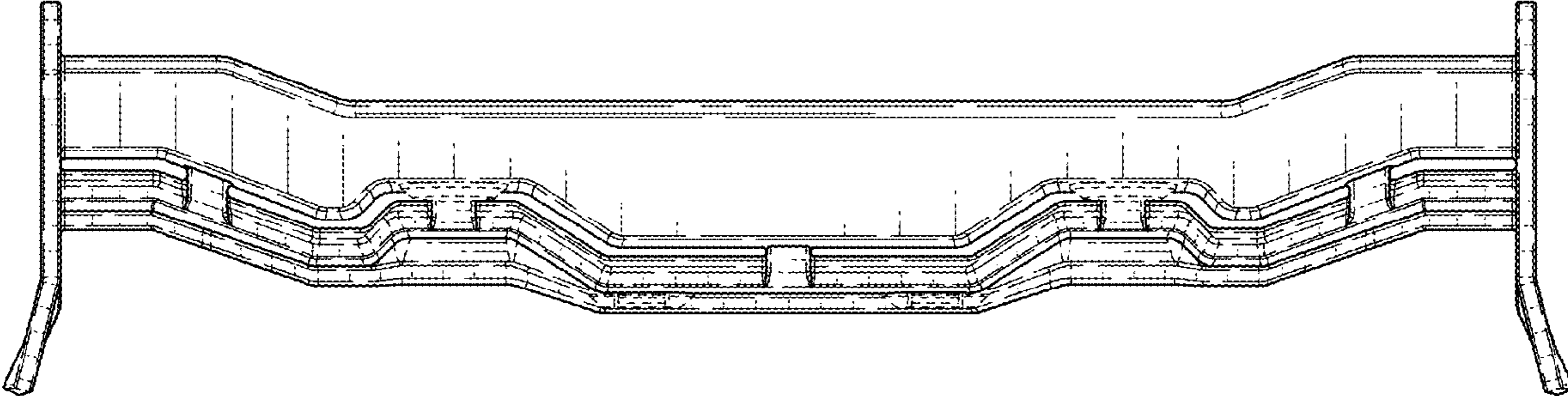


FIG. 3

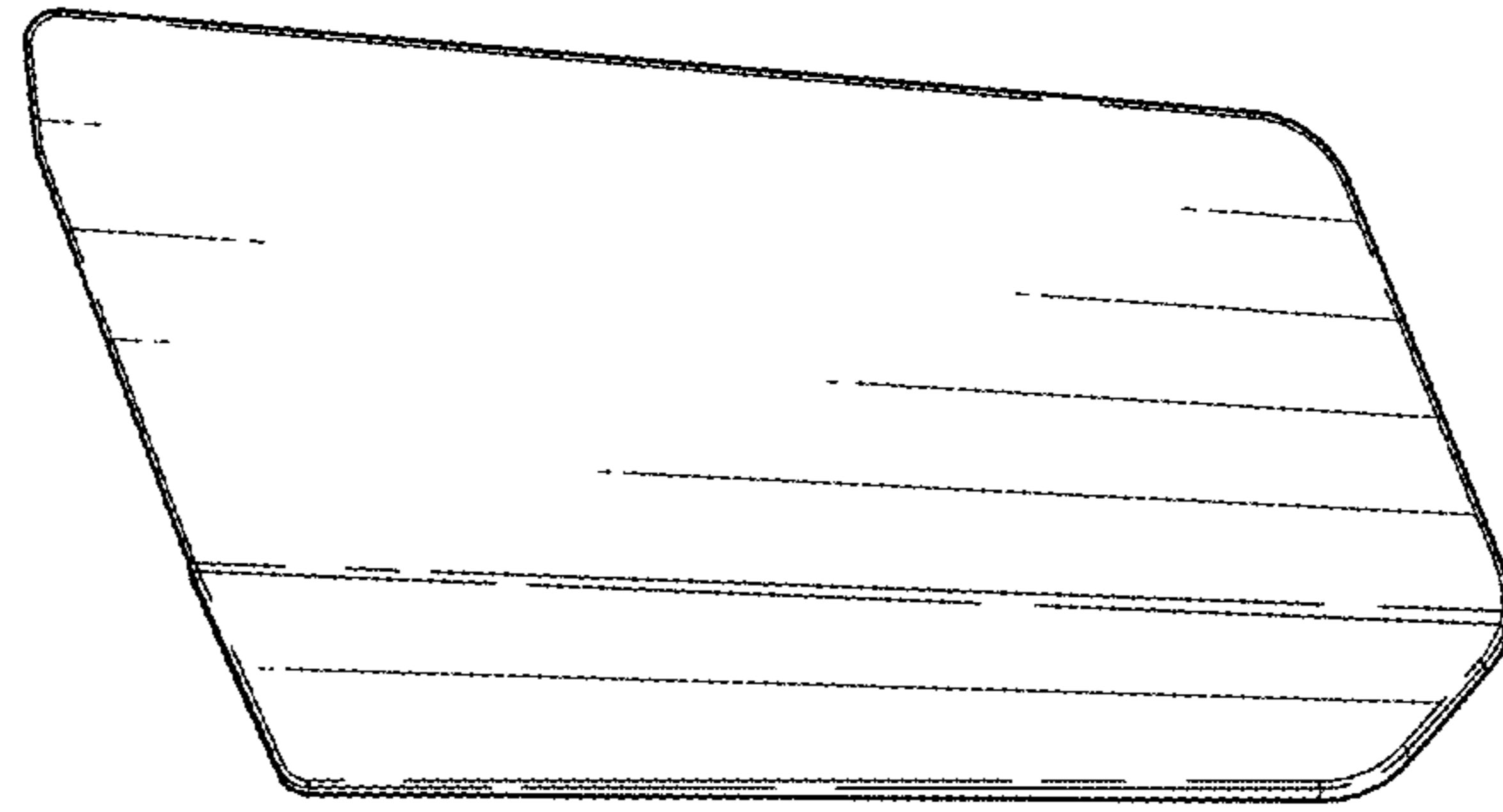


FIG. 4

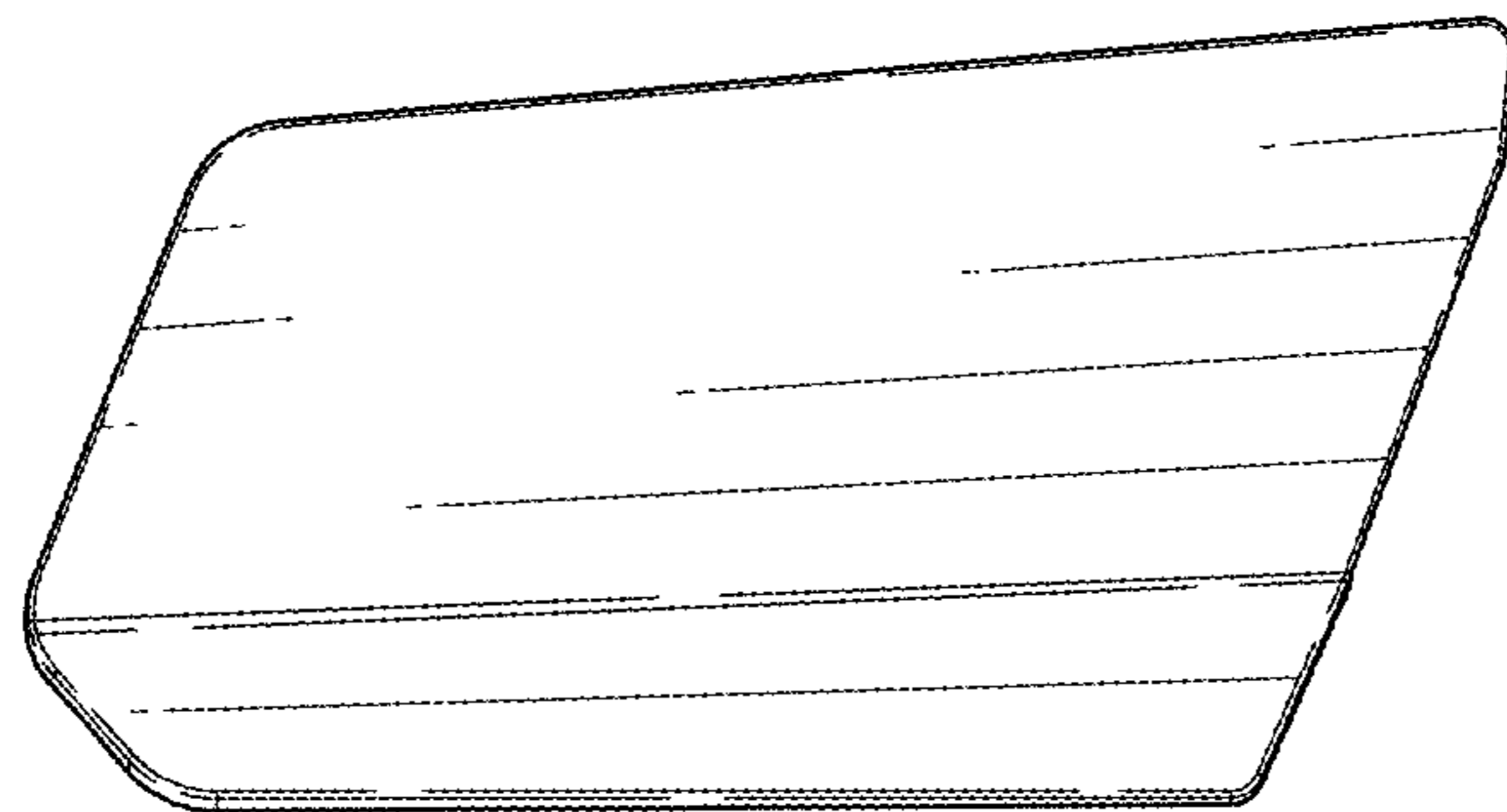


FIG. 5

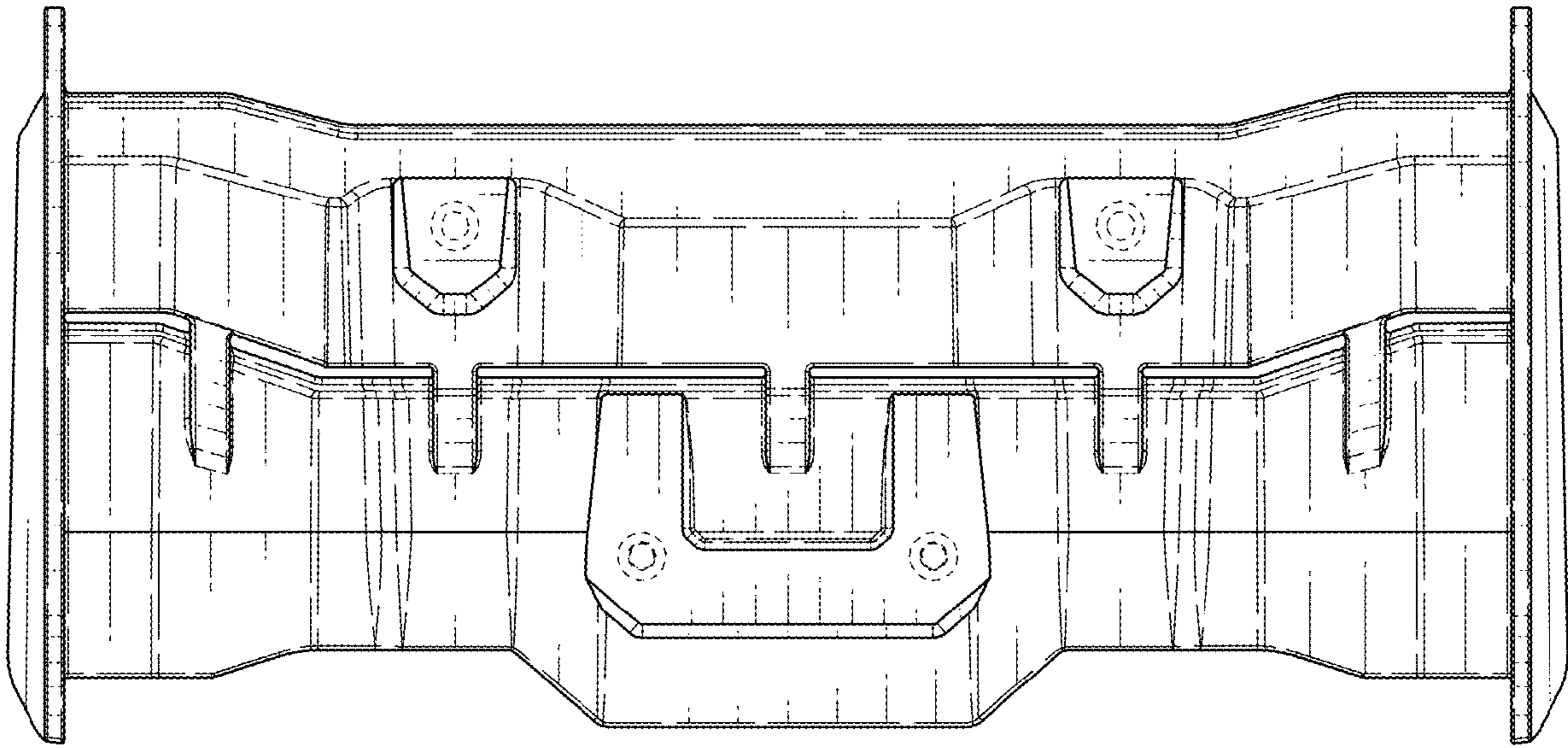


FIG. 6

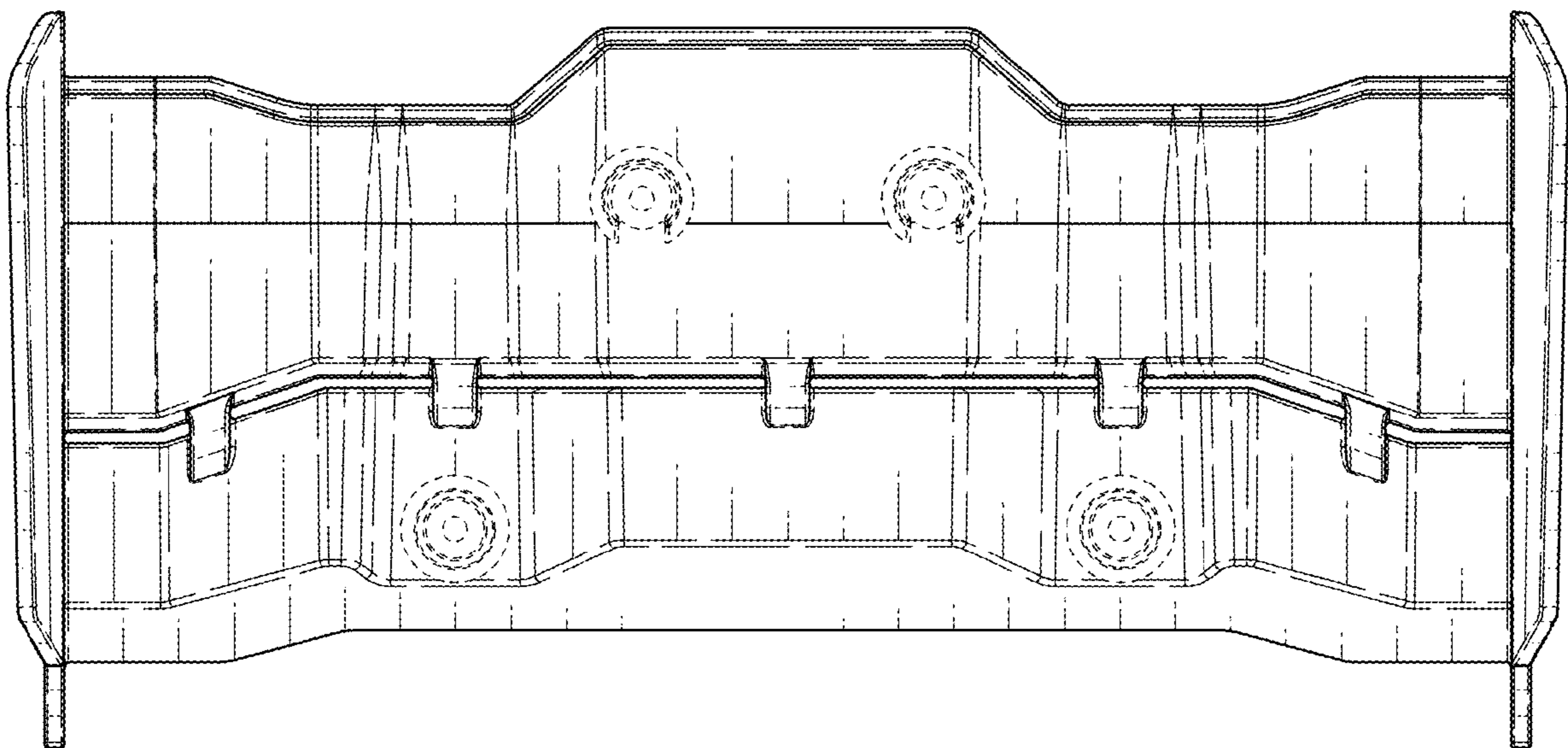


FIG. 7

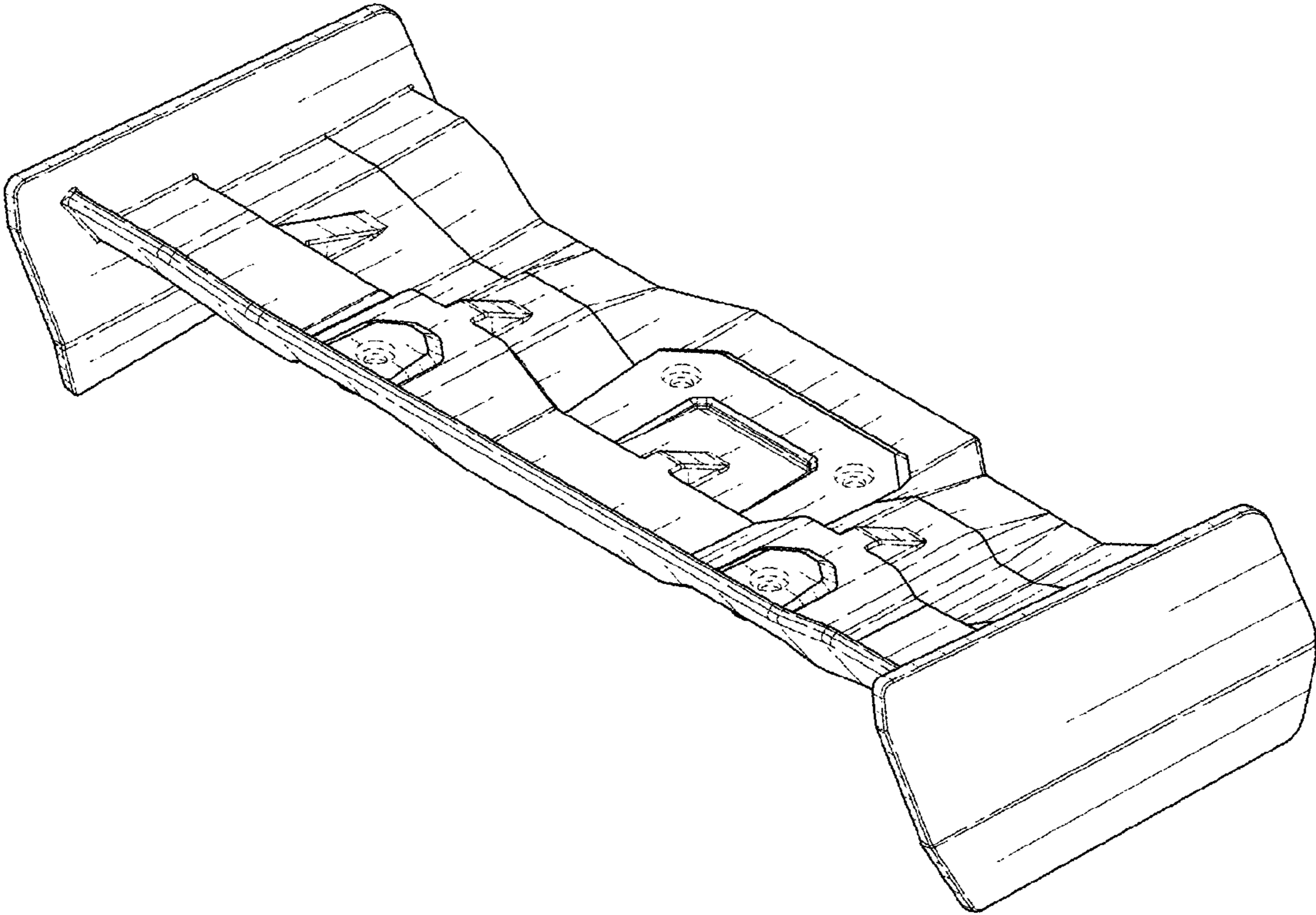


FIG. 8

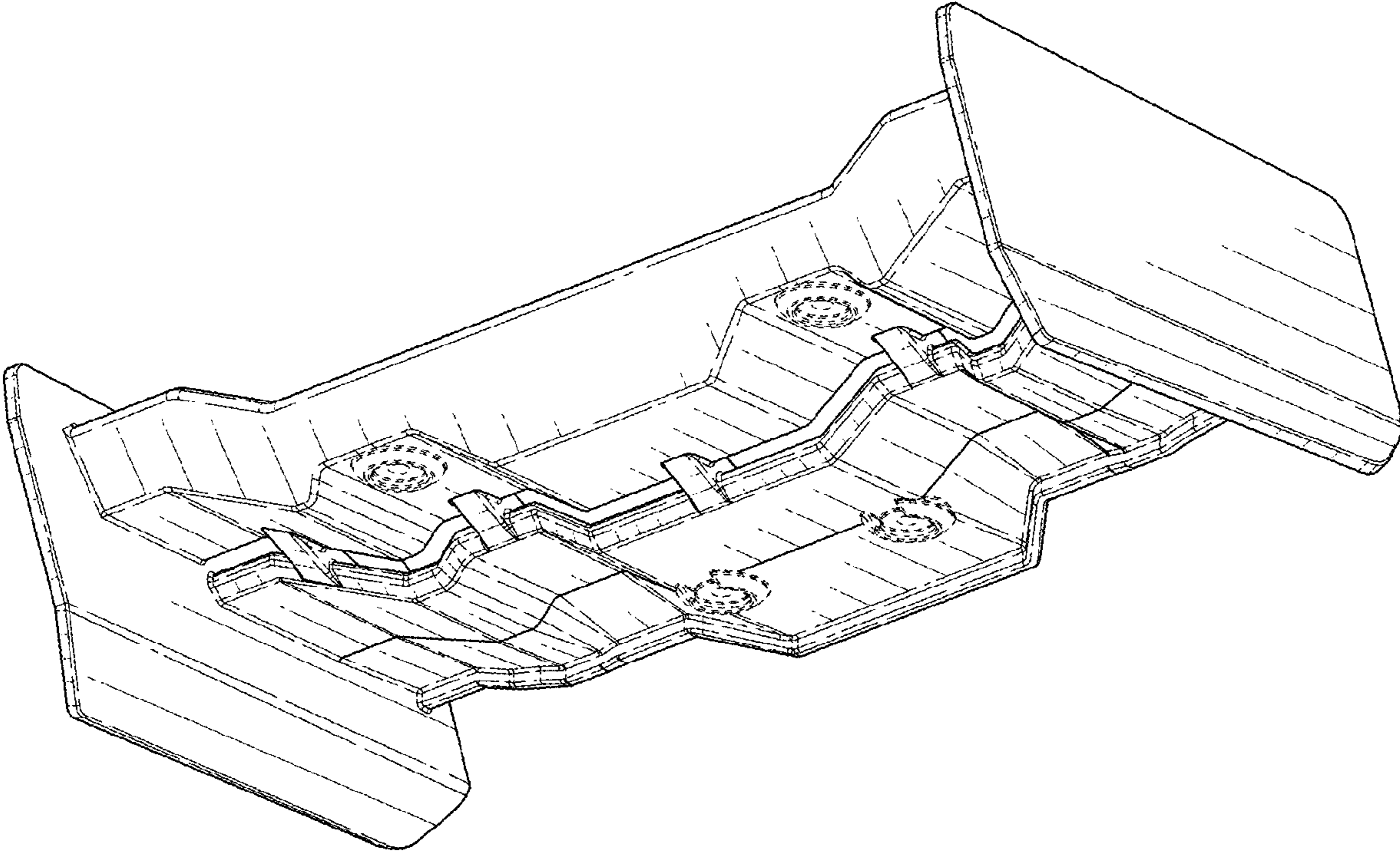


FIG. 9