



US0D1037720S

(12) **United States Design Patent** (10) **Patent No.:** **US D1,037,720 S**  
**Chen et al.** (45) **Date of Patent:** **\*\* Aug. 6, 2024**

(54) **SUPPORT STAND FOR CRAFTING APPARATUS**

(71) Applicant: **Cricut, Inc.**, South Jordan, UT (US)  
(72) Inventors: **Yung Tseng Chen**, San Francisco, CA (US); **Stephanie Choplin**, San Francisco, CA (US); **Thomas Crisp**, Cottonwood Heights, UT (US); **Kyle Kenneth Johnson**, Eagle Mountain, UT (US); **Ryun Bates Noble**, Salt Lake City, UT (US); **Ildefonso M. Resuello, Jr.**, Sacramento, CA (US); **Joel Thomas Ruiter**, Ada, MI (US); **Grayson Stopp**, San Francisco, CA (US)

(73) Assignee: **Cricut, Inc.**, South Jordan, UT (US)

(\*\*) Term: **15 Years**

(21) Appl. No.: **29/824,901**

(22) Filed: **Jan. 27, 2022**

(51) **LOC (14) Cl.** ..... **06-03**

(52) **U.S. Cl.**  
USPC ..... **D6/655.11**

(58) **Field of Classification Search**  
USPC ..... D6/672, 673, 641, 642, 655, 655.1, D6/655.11, 684, 685, 686, 691, D6/691.1-691.9, 698, 699; D15/122, D15/126, 127, 138, 199; D18/34.1, 34.3, D18/34.9; D19/101, 108  
CPC ..... A47B 7/00; A47B 13/00; A47B 13/02; A47B 13/04; A47B 13/06; A47B 13/08; A47B 13/12; A47B 17/00; A47B 21/00; A47B 31/00; A47B 37/00; B41J 13/106; B41J 29/02

See application file for complete search history.

(56) **References Cited**

U.S. PATENT DOCUMENTS

D4,321 S *	8/1870	Wallace	.....	D15/126
D105,621 S *	8/1937	Tautz	.....	D15/127
D138,159 S *	6/1944	Kramer	.....	D6/673
D313,807 S *	1/1991	Daniel	.....	D15/127
D983,572 S *	4/2023	Lah	.....	D6/642
2021/0045523 A1 *	2/2021	Maynes	.....	A47B 13/081

\* cited by examiner

*Primary Examiner* — Mary Ann Calabrese

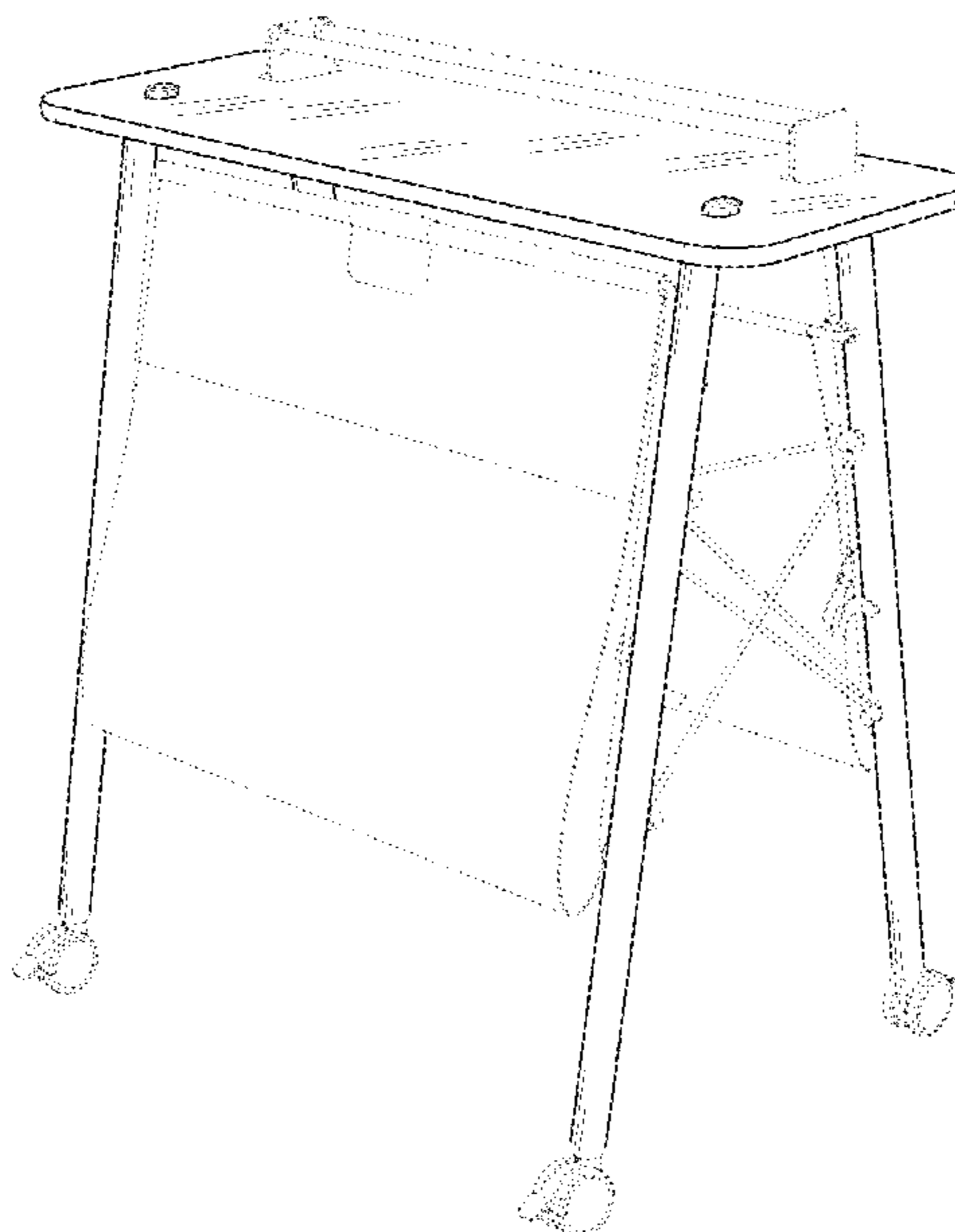
(57) **CLAIM**

We claim the ornamental design for a support stand for a crafting apparatus, as shown and described.

**DESCRIPTION**

FIG. 1 is a front, right, top isometric view of the support stand for a crafting apparatus;  
FIG. 2 is a front, right, top isometric view of the support stand for a crafting apparatus shown in an alternative environment of use;  
FIG. 3 is a front elevation view of the support stand for a crafting apparatus;  
FIG. 4 is a rear elevation view of the support stand for a crafting apparatus;  
FIG. 5 is a left side elevation view of the support stand for a crafting apparatus;  
FIG. 6 is a right side elevation view of the support stand for a crafting apparatus;  
FIG. 7 is a top plan view of the support stand for a crafting apparatus; and,  
FIG. 8 is a bottom plan view of the support stand for a crafting apparatus.  
The broken lines in the figures show portions of the support stand for a crafting apparatus that form no part of the presently claimed design.

**1 Claim, 8 Drawing Sheets**



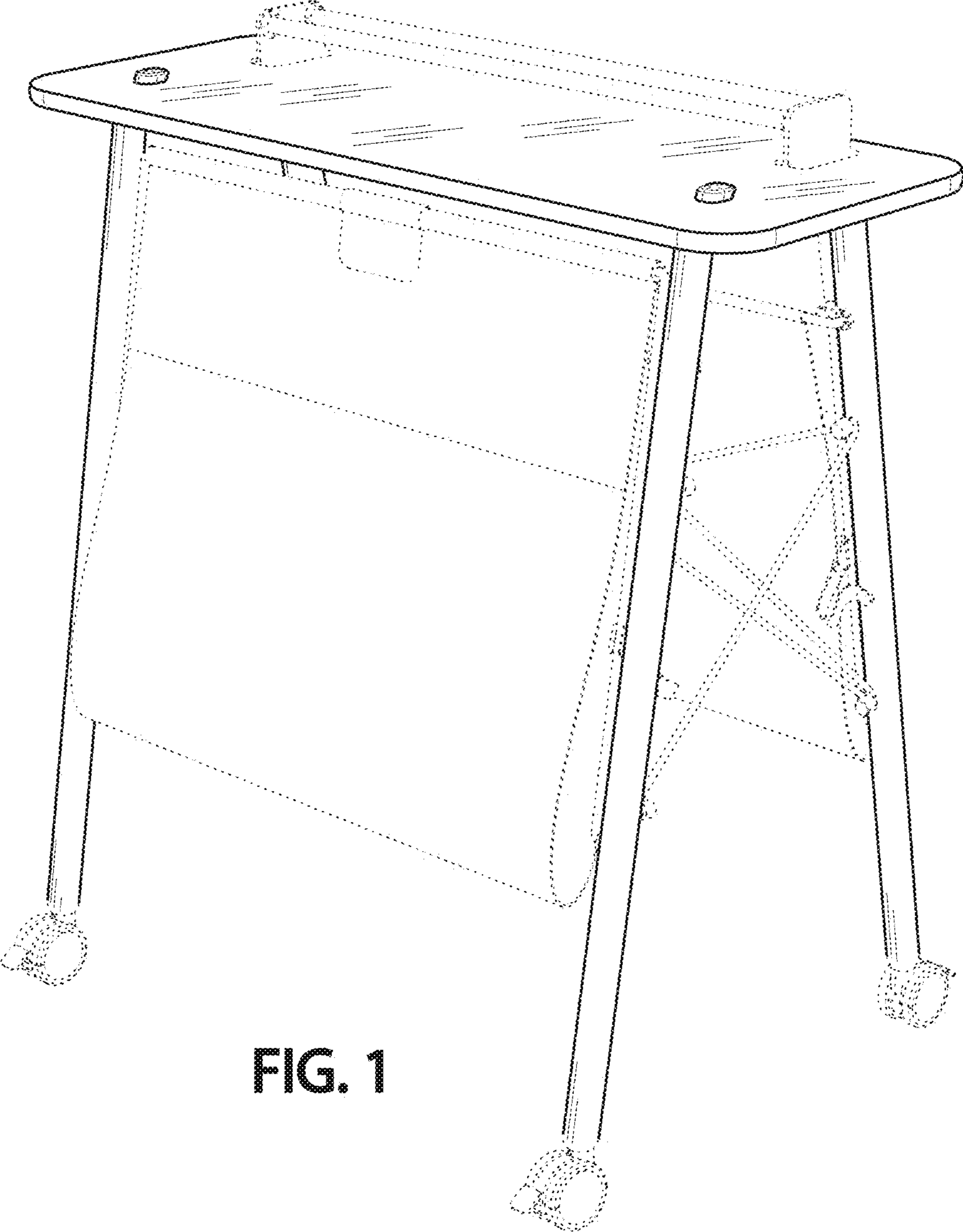


FIG. 1

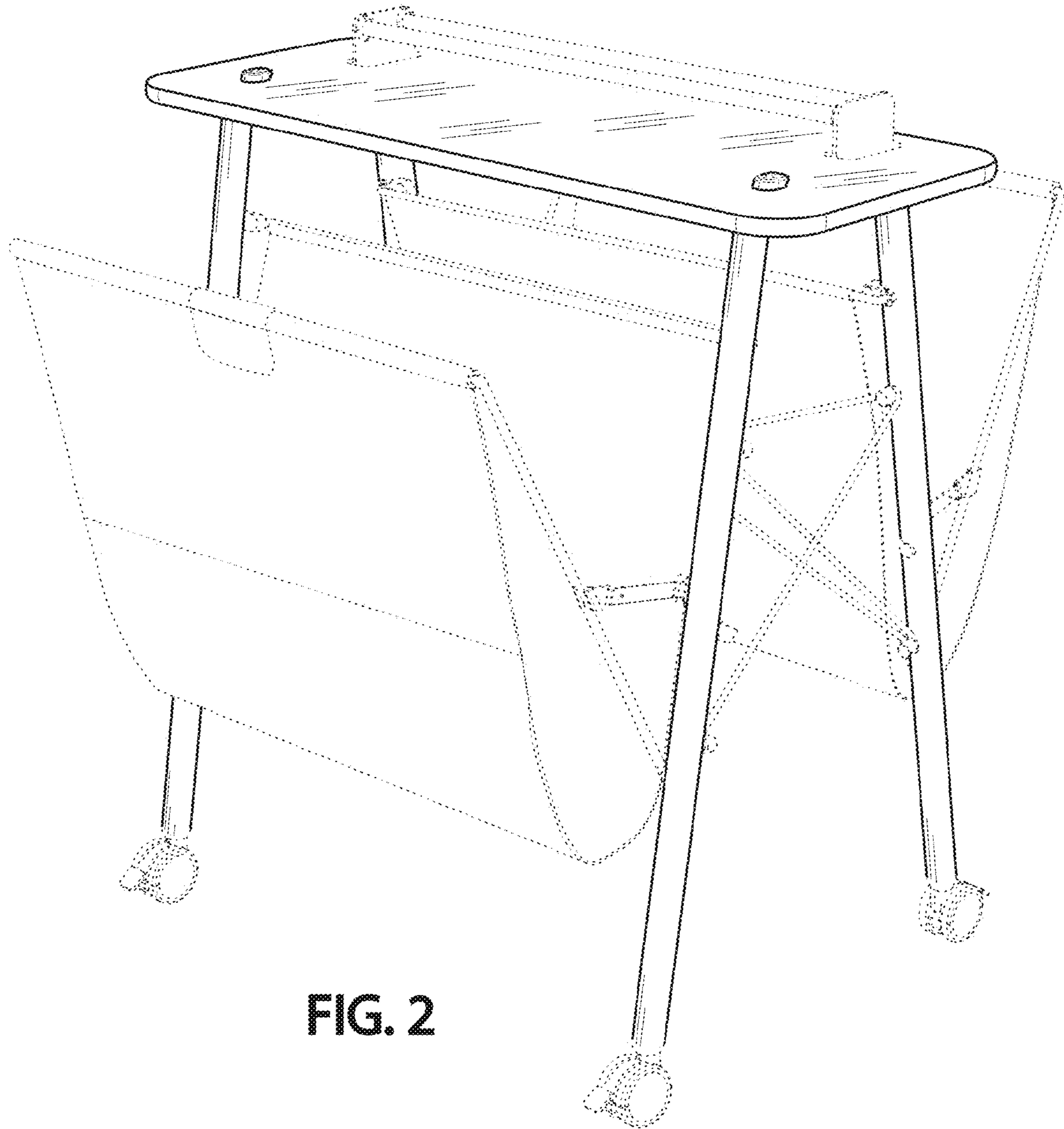


FIG. 2

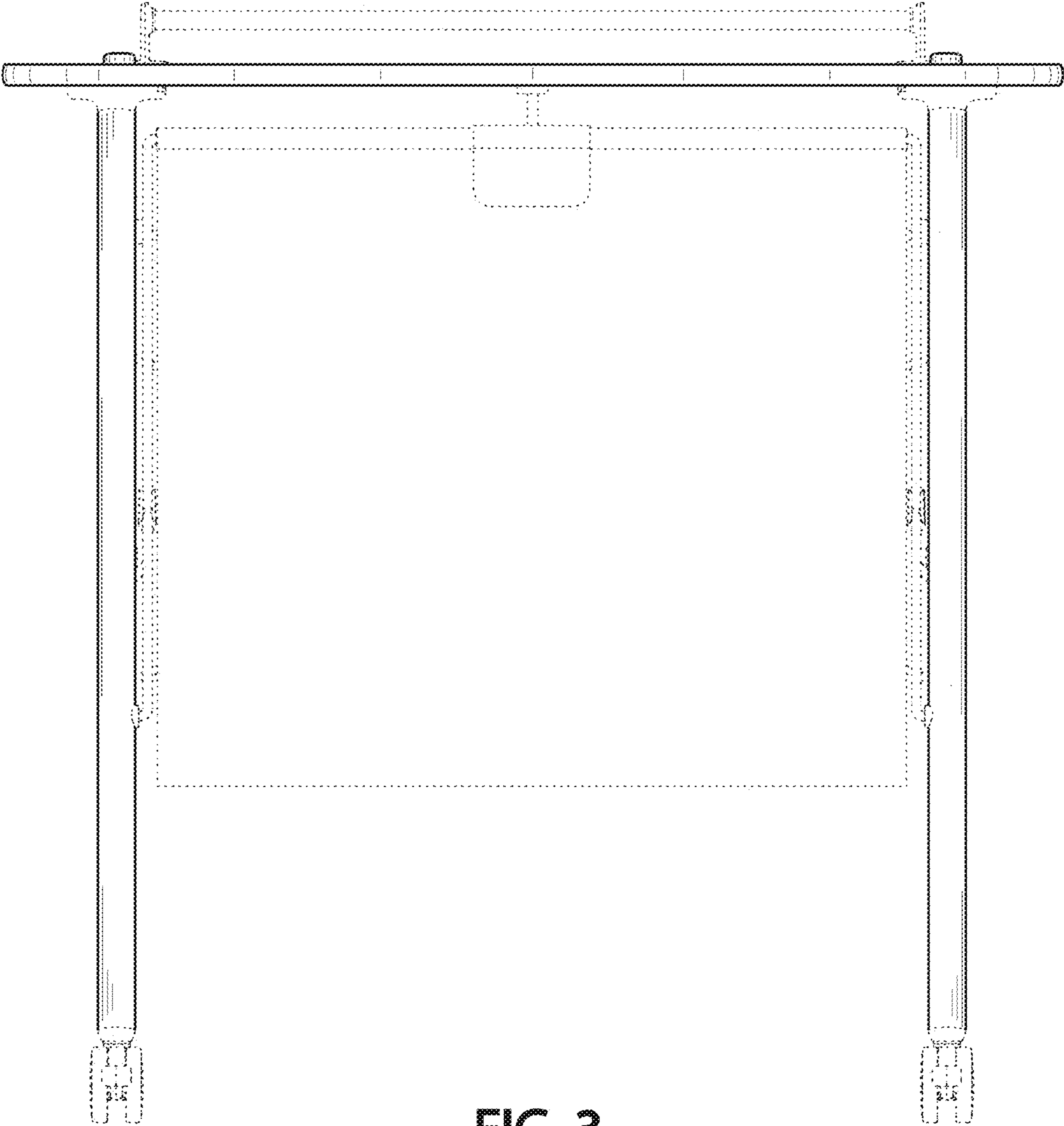


FIG. 3

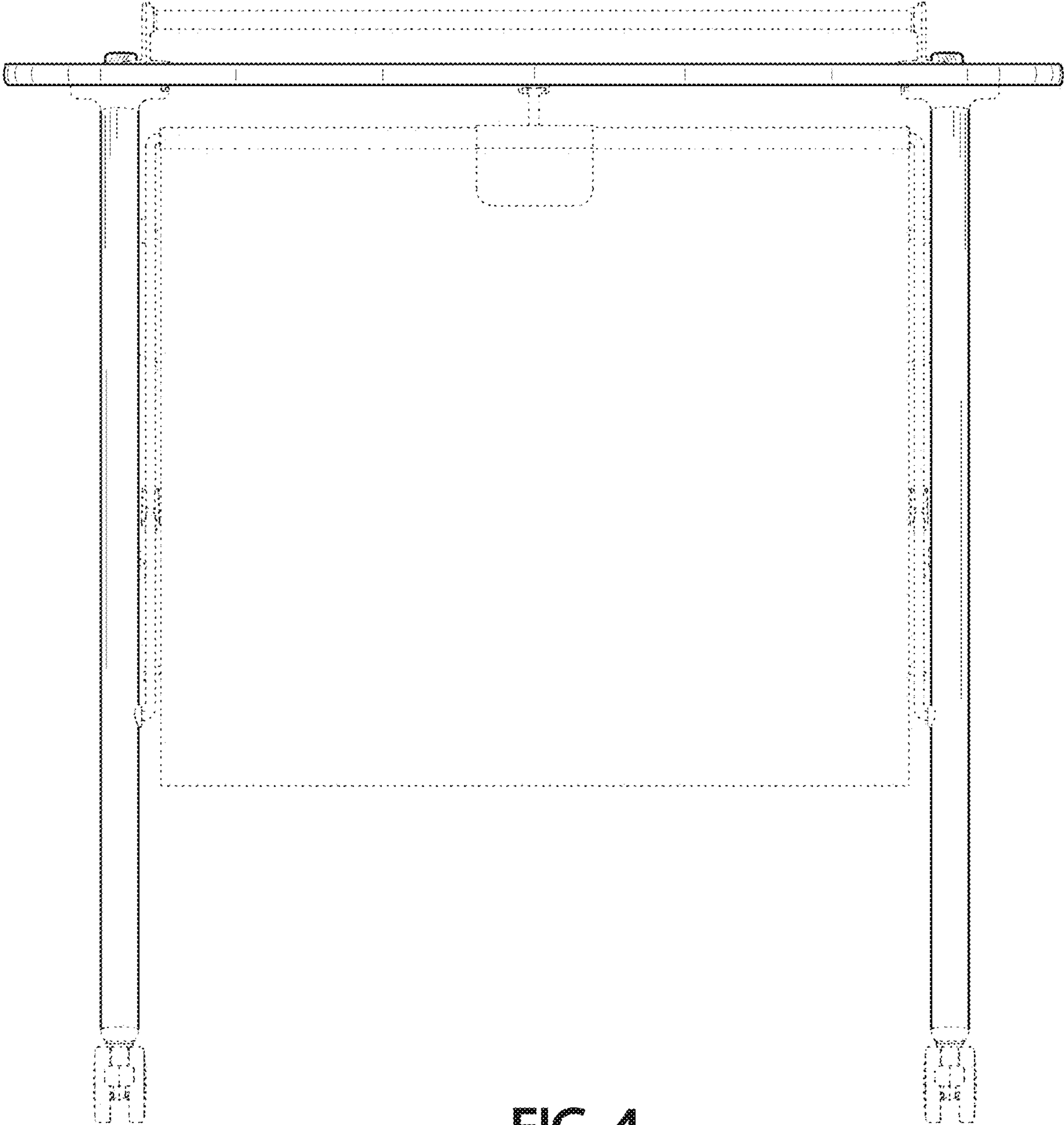


FIG. 4

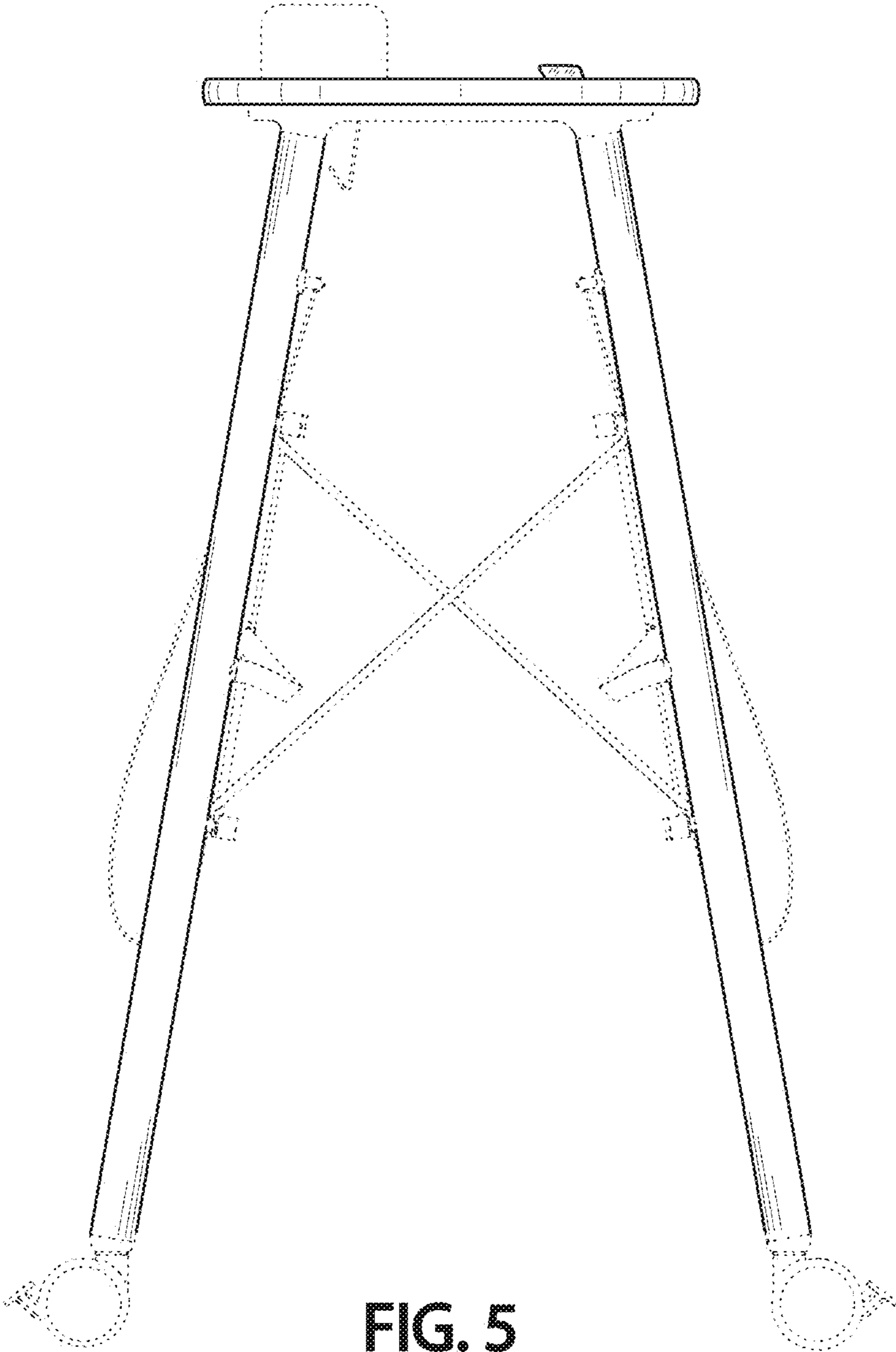


FIG. 5

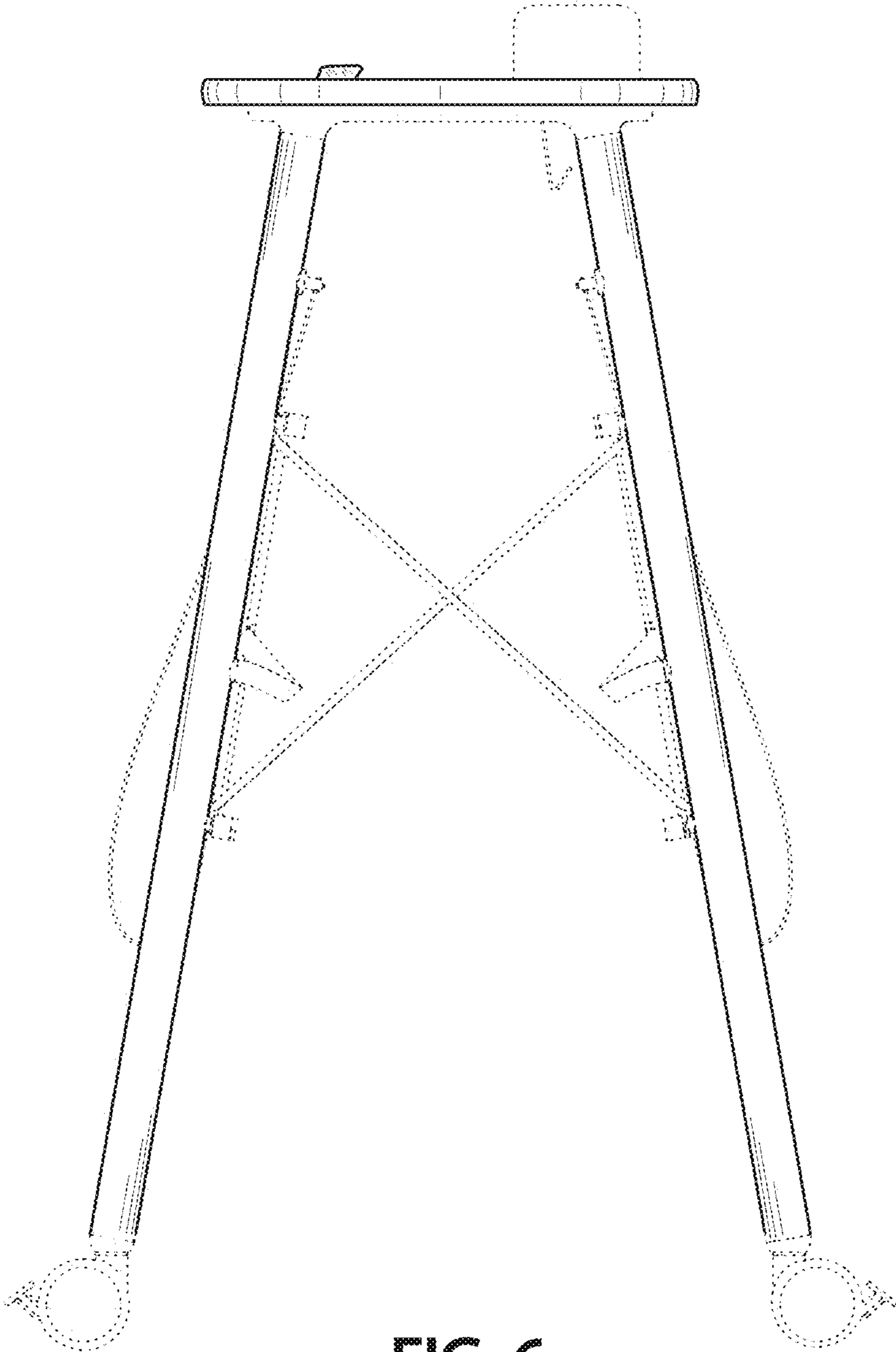


FIG. 6

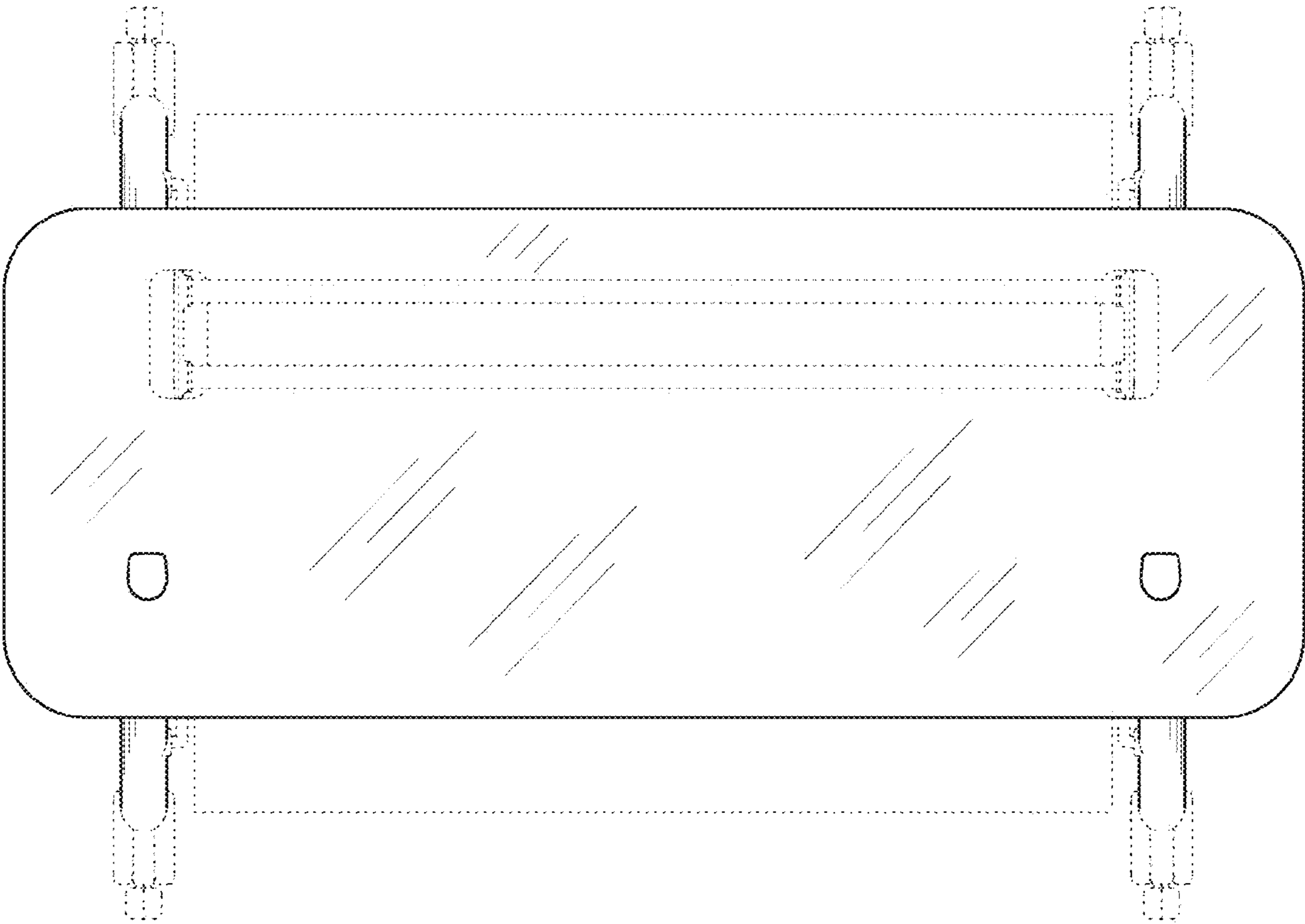


FIG. 7



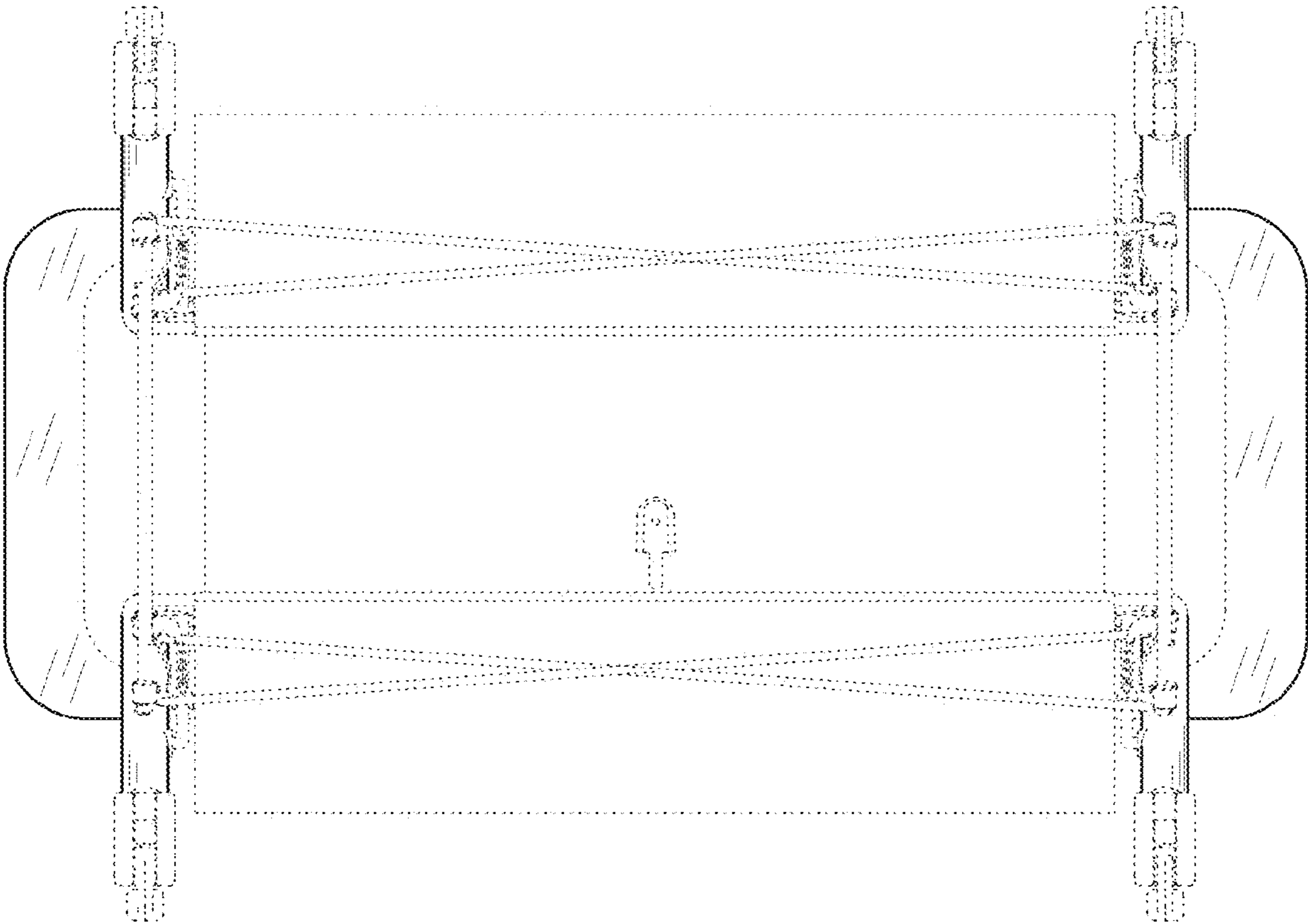


FIG. 8