



US0D1037698S

(12) **United States Design Patent** (10) **Patent No.: US D1,037,698 S**
Sullins (45) **Date of Patent: ** Aug. 6, 2024**

(54) **WRIST PAD FOR LAP DESKS**

FOREIGN PATENT DOCUMENTS

(71) Applicant: **Patrick Hogan Sullins**, Arlington, TX (US)

GB 6347990 * 2/2024

(72) Inventor: **Patrick Hogan Sullins**, Arlington, TX (US)

OTHER PUBLICATIONS

(73) Assignee: **Creative Manufacturing, LLC**, Arlington, TX (US)

LapGear: Home Office Lap Desk with Device Ledge, Mouse Pad, and Phone Holder—White Marble—Fits up to 15.6 Inch Laptops—Style No. 91501 <https://amzn.asia/d/hGSKJDi>, Feb. 7, 2019 (Year: 2019).*

(**) Term: **15 Years**

(Continued)

(21) Appl. No.: **29/883,515**

Primary Examiner — Bao-Yen T Nguyen

(22) Filed: **Jan. 30, 2023**

Assistant Examiner — Bethany Louise Mallino

(51) **LOC (14) Cl.** **06-04**

(74) *Attorney, Agent, or Firm* — Guy V. Manning

(52) **U.S. Cl.**
USPC **D6/406.3**

(57) **CLAIM**

(58) **Field of Classification Search**
USPC ... D6/406.1–406.6, 512, 685, 686, 691, 704,
D6/705; D14/439, 447, 458
CPC A47B 21/0371; A47B 2200/0084; A47B
2200/0095
See application file for complete search history.

The ornamental design for a wrist pad for lap desks, as shown and described.

DESCRIPTION

(56) **References Cited**

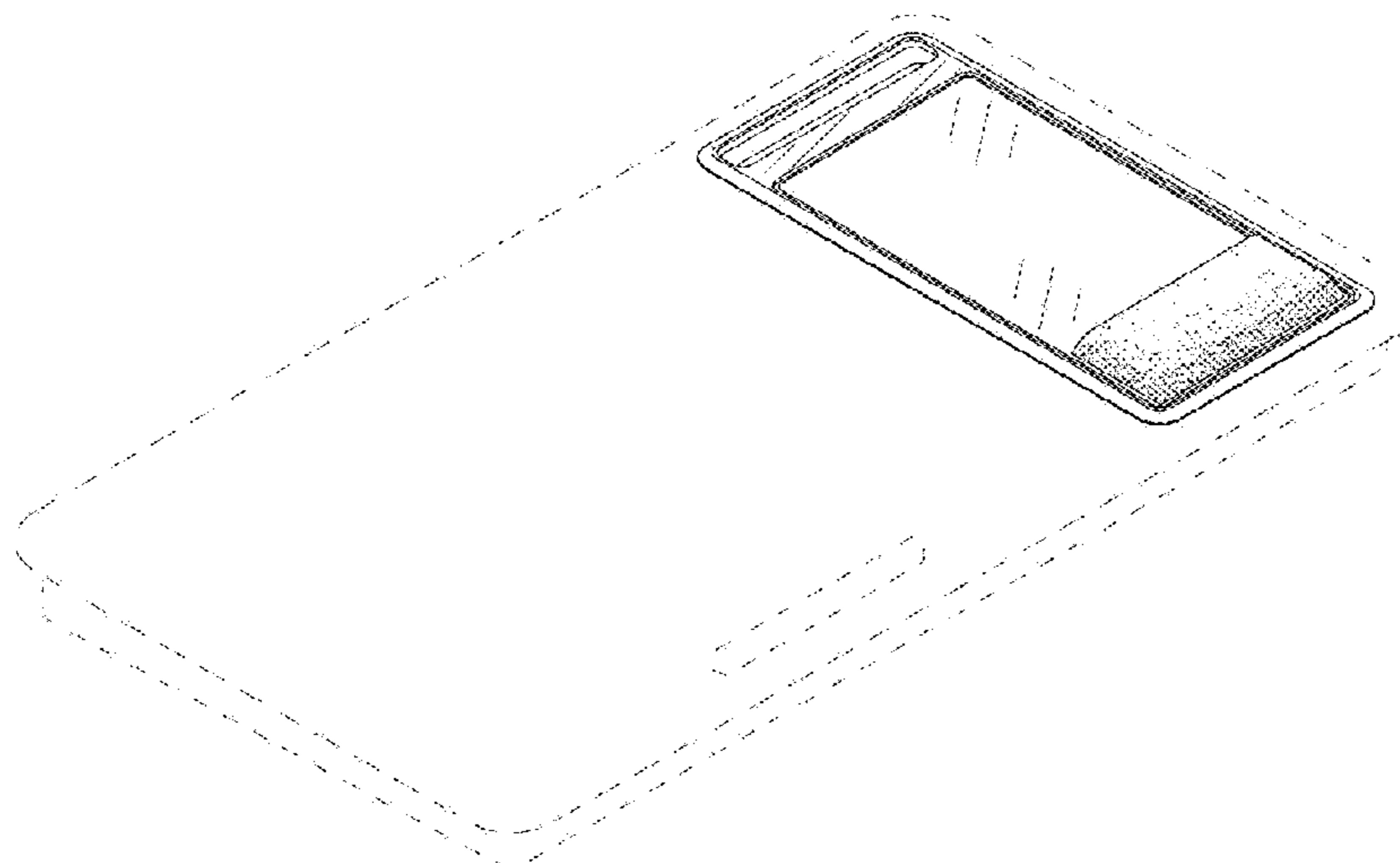
U.S. PATENT DOCUMENTS

5,562,270	A	*	10/1996	Montague	G06F 3/0395
						248/118.1
D469,102	S	*	1/2003	Chou	D14/461
D663,546	S	*	7/2012	Jennings	D6/406.3
D802,599	S	*	11/2017	Magargee	D14/458
9,999,298	B1		6/2018	Sullins		
D836,937	S		1/2019	Sullins		
D853,147	S	*	7/2019	Chen	D6/406.5
D861,702	S	*	10/2019	Webb	D14/460
D865,774	S	*	11/2019	Li	D14/458
D885,405	S	*	5/2020	Tan	D14/458
D887,166	S	*	6/2020	Ren	D6/406.5
D914,393	S	*	3/2021	Xie	D6/406.6
D917,914	S	*	5/2021	Deng	D6/406.5
D944,554	S	*	3/2022	Zhang	D6/406.5
D944,555	S	*	3/2022	Zhang	D6/406.5

(Continued)

FIG. 1 is a front, left, elevated, quartering perspective view of a new design for a wrist pad for lap desks; FIG. 2 is a section view, as indicated in FIG. 3, of the new design of FIG. 1 showing the interior shape of a device slot in the top surface thereof. FIG. 3 is a top plan view of the new design of FIG. 1; FIG. 4 is a front elevational view of the new design of FIG. 1; FIG. 5 is a rear elevational view of the new design of FIG. 1; FIG. 6 is a right-side elevational view of the new design of FIG. 1; and, FIG. 7 is a left-side elevational view of the new design of FIG. 1. The dashed lines included within the figures represent environmental structure only and do not form part of the claimed design.

1 Claim, 3 Drawing Sheets



(56)

References Cited

U.S. PATENT DOCUMENTS

D948,526 S * 4/2022 Xu D14/458
D1,019,667 S * 3/2024 Yang D14/458
2020/0128953 A1 * 4/2020 Goldhammer A47B 23/002

OTHER PUBLICATIONS

LapGear Elevation Pro Lap Desk with Gel Wrist Rest, Device Ledge, Mouse Pad, Booster Cushion and Phone Holder—Gray Woodgrain—Fits up to 17.3 Inch Laptops—Style No. 88105 <https://amzn.asia/d/5GSB3Rn>, Jun. 17, 2022 (Year: 2022).*

Sedison: Laptop Lap Desk Fit for 15.6inch Notebook Laptop Bed Table with Device Ledge, Mouse Pad and Phone Holder, Home Office Lap Desk for Laptop—Wood Grain Color <https://amzn.asia/d/1akaMGP>, Jul. 19, 2022 (Year: 2022).*

* cited by examiner

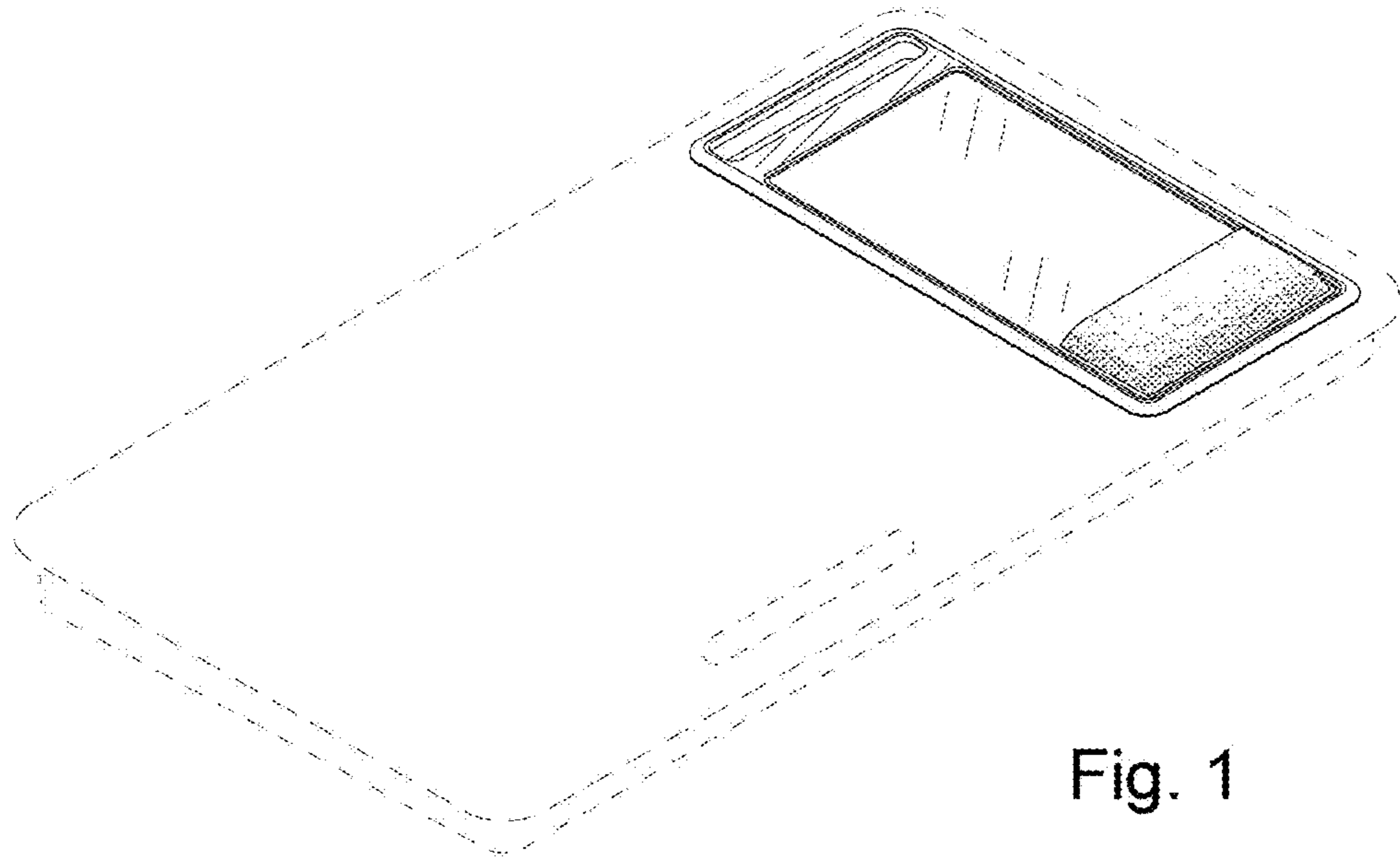


Fig. 1

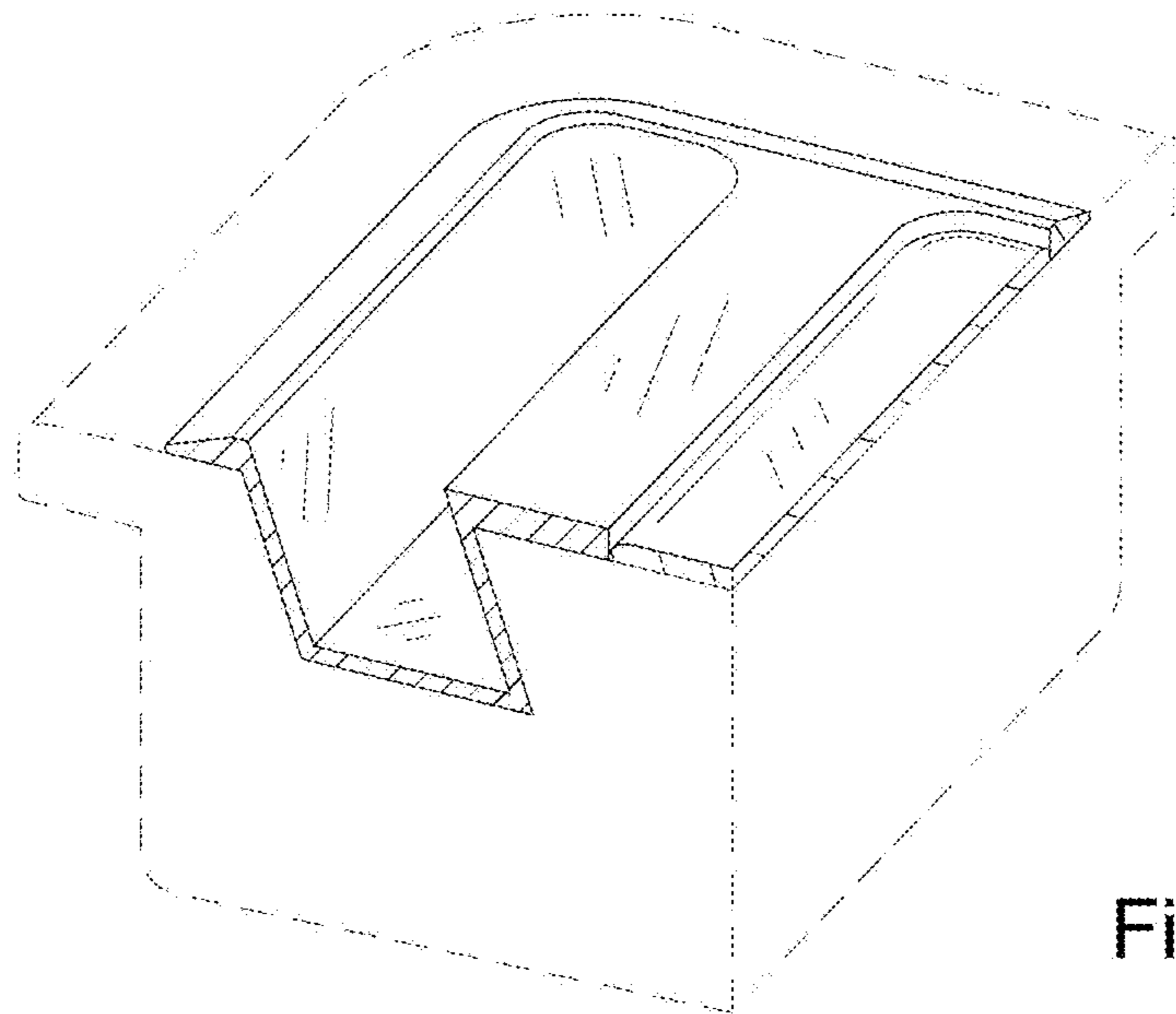


Fig. 2

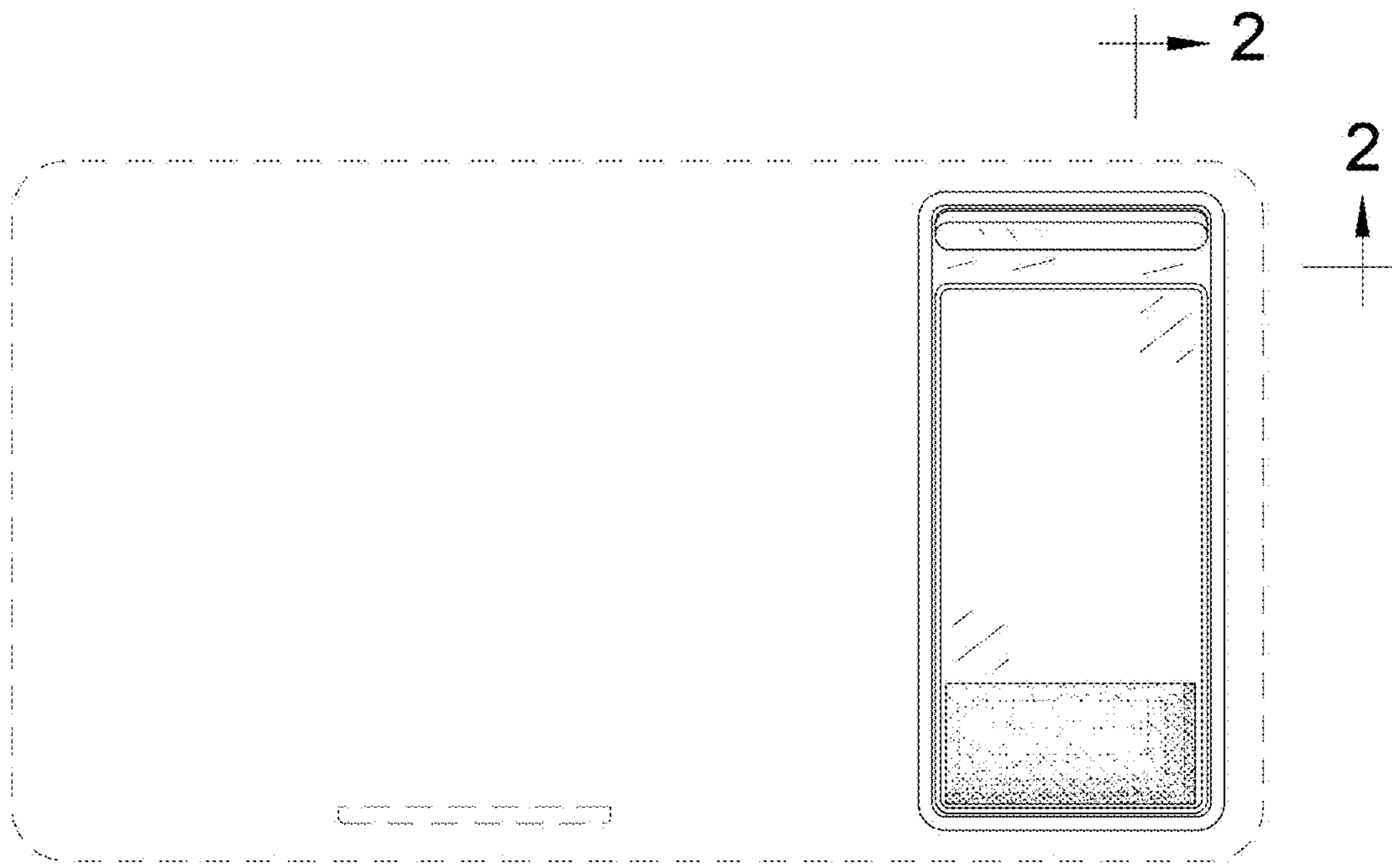


Fig. 3

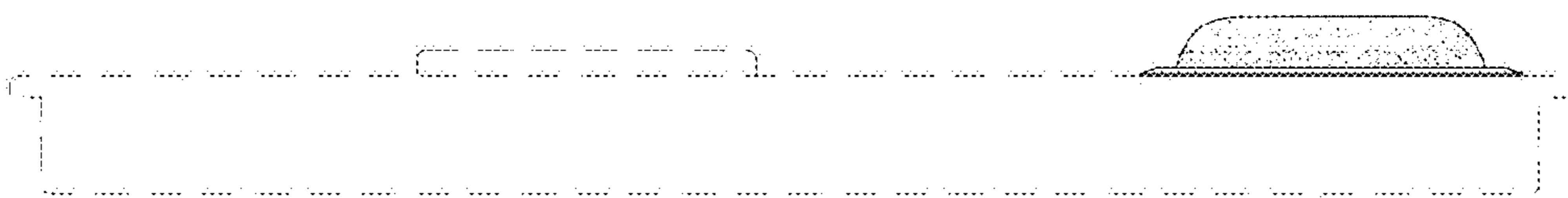


Fig. 4



Fig. 5

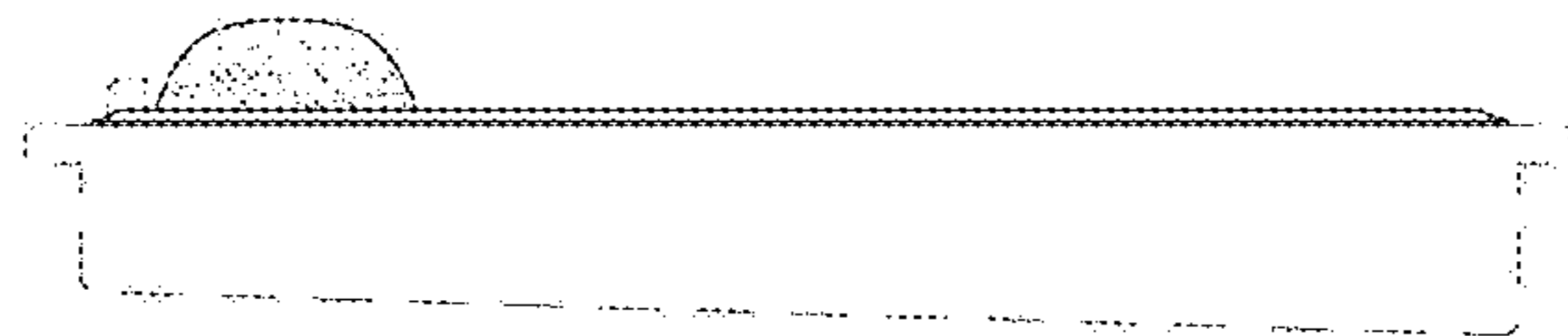


Fig. 6

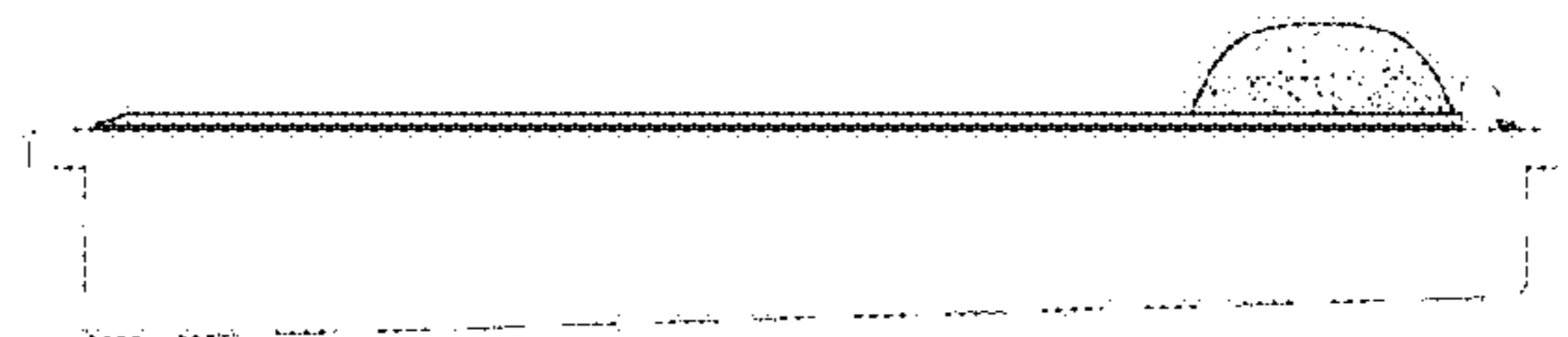


Fig. 7