



US0D1037697S

(12) **United States Design Patent** (10) **Patent No.:** **US D1,037,697 S**  
**Sullins** (45) **Date of Patent:** **\*\* Aug. 6, 2024**

(54) **LAP DESK WITH WRIST PAD**

(71) Applicant: **Patrick Hogan Sullins**, Arlington, TX (US)  
(72) Inventor: **Patrick Hogan Sullins**, Arlington, TX (US)

(73) Assignee: **Creative Manufacturing, LLC**, Arlington, TX (US)

(\*\*) Term: **15 Years**

(21) Appl. No.: **29/883,398**

(22) Filed: **Jan. 27, 2023**

(51) **LOC (14) Cl.** ..... **06-04**

(52) **U.S. Cl.**  
USPC ..... **D6/406.3**

(58) **Field of Classification Search**  
USPC ... D6/406.1–406.6, 512, 685, 686, 691, 704, D6/705; D14/439, 447  
CPC ..... A47G 23/06; A47G 23/0608  
See application file for complete search history.

(56) **References Cited**

**U.S. PATENT DOCUMENTS**

D583,164 S *	12/2008	Jennings	.....	D6/406.6
D663,546 S *	7/2012	Jennings	.....	D6/406.3
9,999,298 B1	6/2018	Sullins		
D836,937 S	1/2019	Sullins		
D853,147 S *	7/2019	Chen	.....	D6/406.5
D887,166 S *	6/2020	Ren	.....	D6/406.5
D914,393 S *	3/2021	Xie	.....	D6/406.6
D917,914 S *	5/2021	Deng	.....	D6/406.5
D944,554 S *	3/2022	Zhang	.....	D6/406.5
D944,555 S *	3/2022	Zhang	.....	D6/406.5
2020/0128953 A1 *	4/2020	Goldhammer	.....	A47B 23/002

**FOREIGN PATENT DOCUMENTS**

GB 6347990 \* 2/2024

**OTHER PUBLICATIONS**

LapGear: Home Office Lap Desk with Device Ledge, Mouse Pad, and Phone Holder—White Marble—Fits up to 15.6 Inch Laptops—Style No. 91501 <https://amzn.asia/d/hGSKJDi>, Feb. 7, 2019 (Year: 2019).\*

(Continued)

*Primary Examiner* — Bao-Yen T Nguyen  
*Assistant Examiner* — Bethany Louise Mallino  
(74) *Attorney, Agent, or Firm* — Guy V. Manning

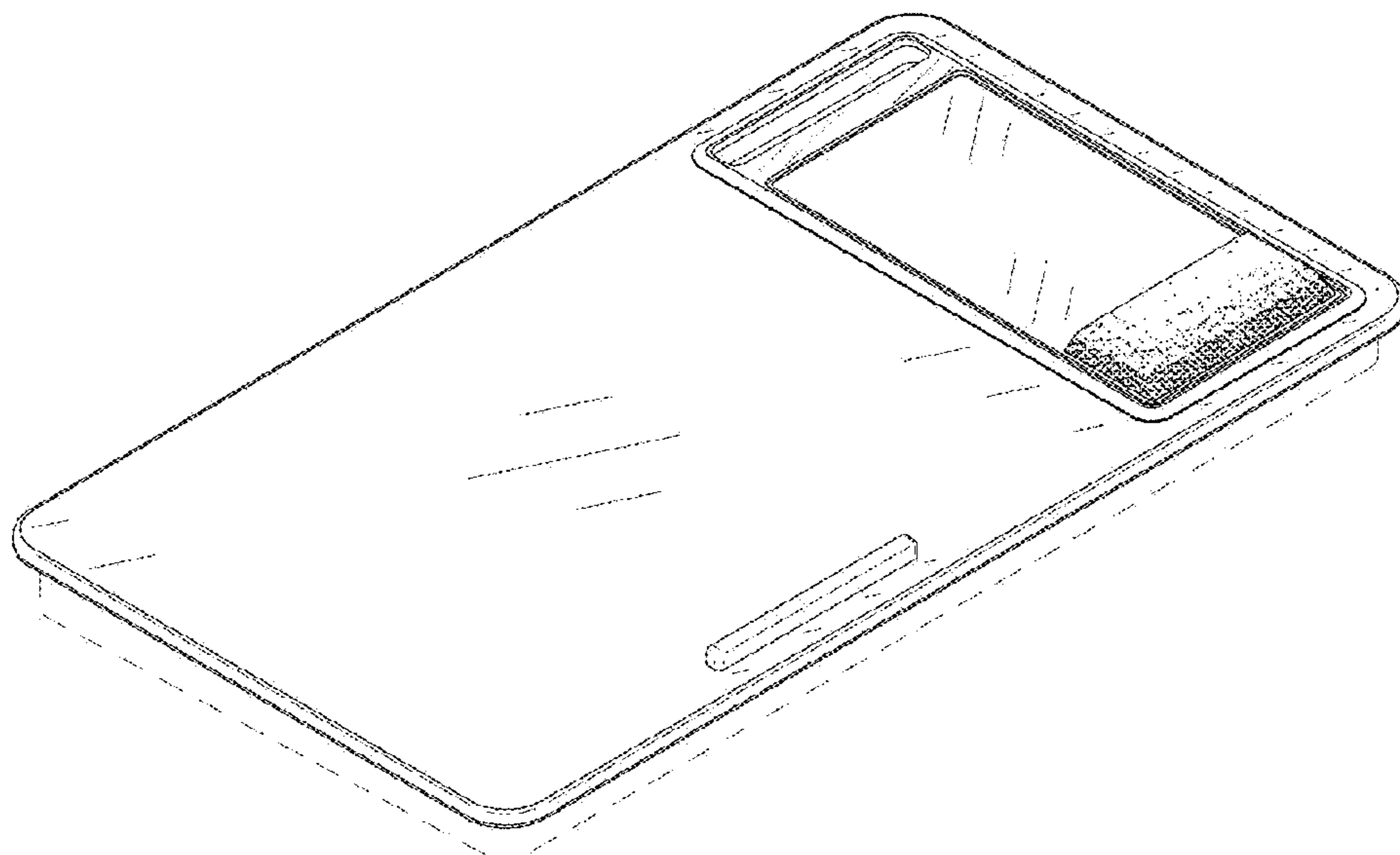
(57) **CLAIM**

The ornamental design for a lap desk with wrist pad, as shown and described.

**DESCRIPTION**

FIG. 1 is a front, left, elevated, quartering perspective view of a new design for a lap desk with wrist pad; FIG. 2 is a section view, as indicated in FIG. 3, of the new design of FIG. 1 showing the interior shape of a device slot in the top surface thereof. FIG. 3 is a top plan view of the new design of FIG. 1; FIG. 4 is a bottom plan view of the new design of FIG. 1; FIG. 5 is a front elevational view of the new design of FIG. 1; FIG. 6 is a rear elevational view of the new design of FIG. 1; FIG. 7 is a right-side elevational view of the new design of FIG. 1; FIG. 8 is a left-side elevational view of the new design of FIG. 1; and, FIG. 9 is a front, left, lowered, quartering perspective view of the new design of FIG. 1. The dashed, broken lines included within the figures represent environmental structure only and do not form part of the claimed design.

**1 Claim, 5 Drawing Sheets**



(56)

**References Cited**

OTHER PUBLICATIONS

LapGear Elevation Pro Lap Desk with Gel Wrist Rest, Device Ledge, Mouse Pad, Booster Cushion and Phone Holder—Gray Woodgrain—Fits up to 17.3 Inch Laptops—Style No. 88105 <https://amzn.asia/d/5GSB3Rn>, Jun. 17, 2022 (Year: 2022).\*

Sedison: Laptop Lap Desk Fit for 15.6inch Notebook Laptop Bed Table with Device Ledge, Mouse Pad and Phone Holder, Home Office Lap Desk for Laptop—Wood Grain Color <https://amzn.asia/d/1akaMGP>, Jul. 19, 2022 (Year: 2022).\*

\* cited by examiner

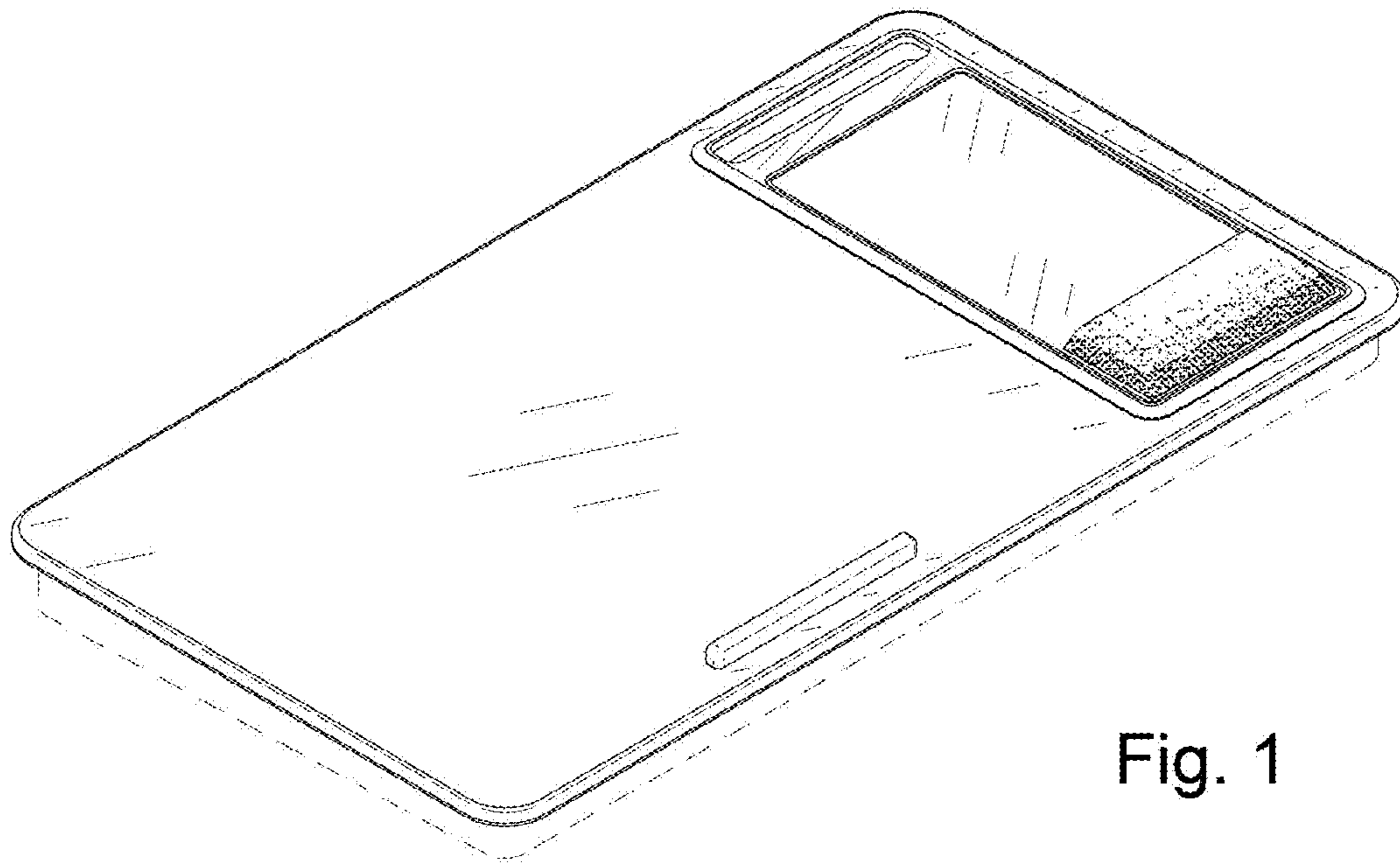


Fig. 1

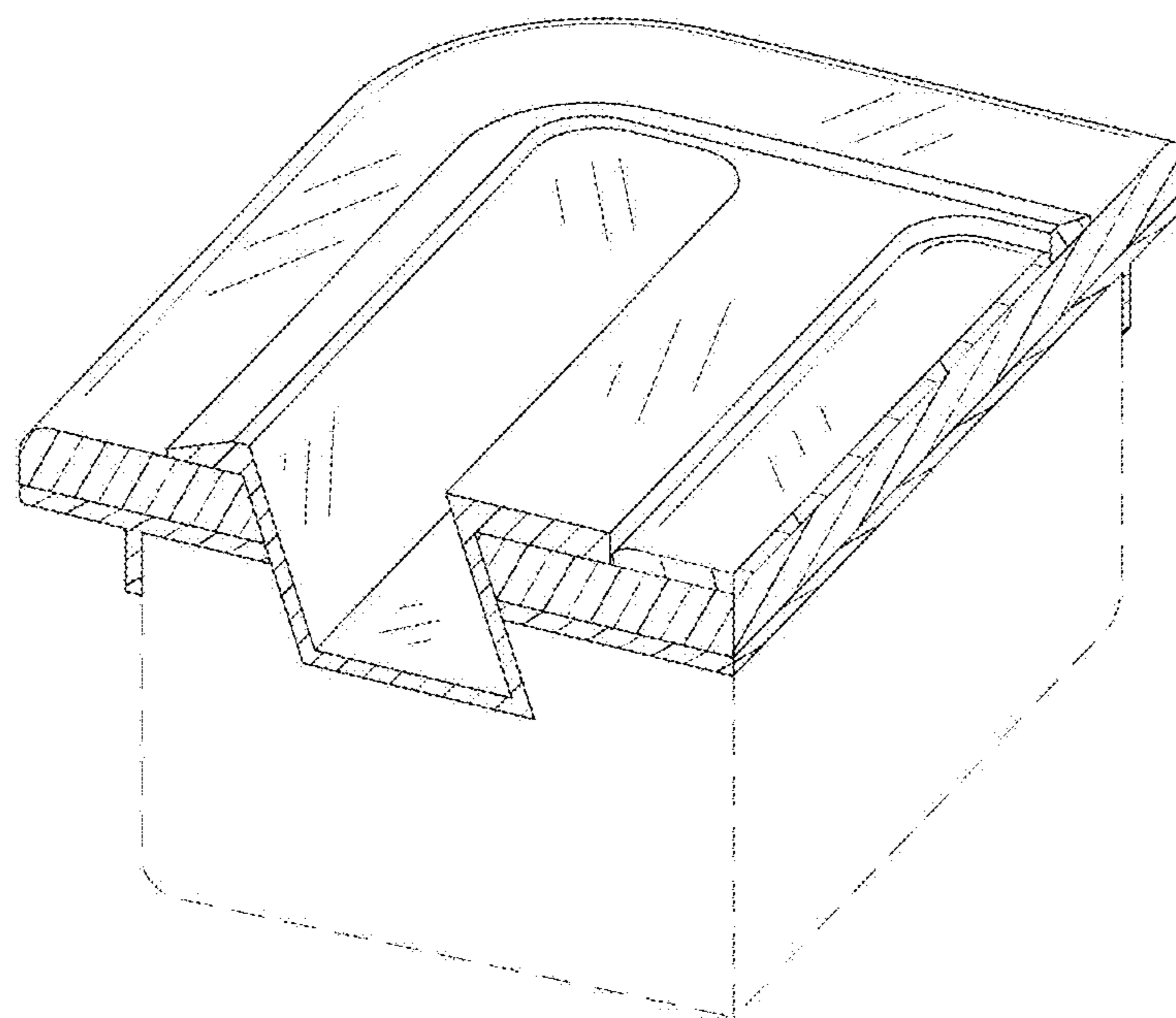


Fig. 2

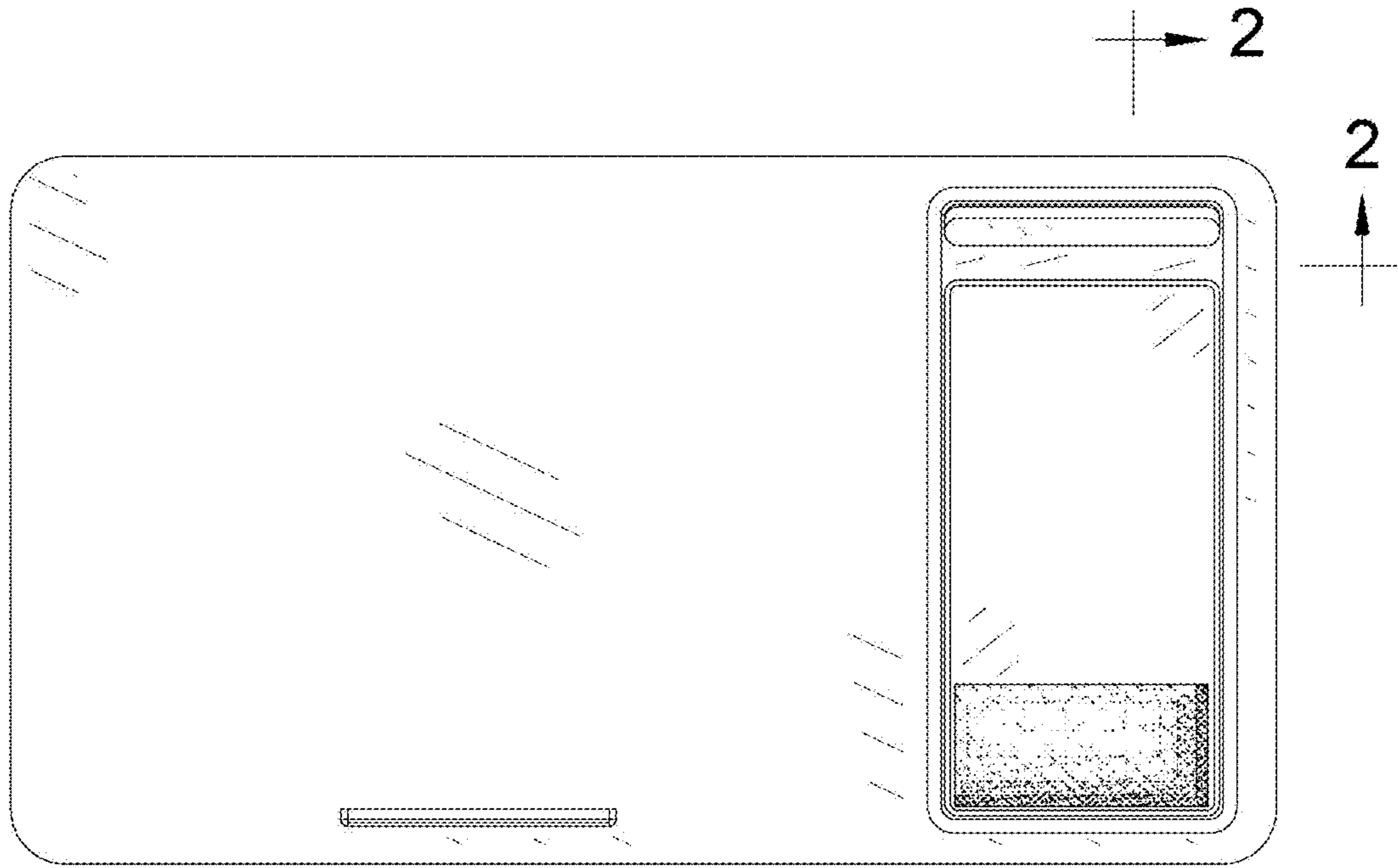


Fig. 3

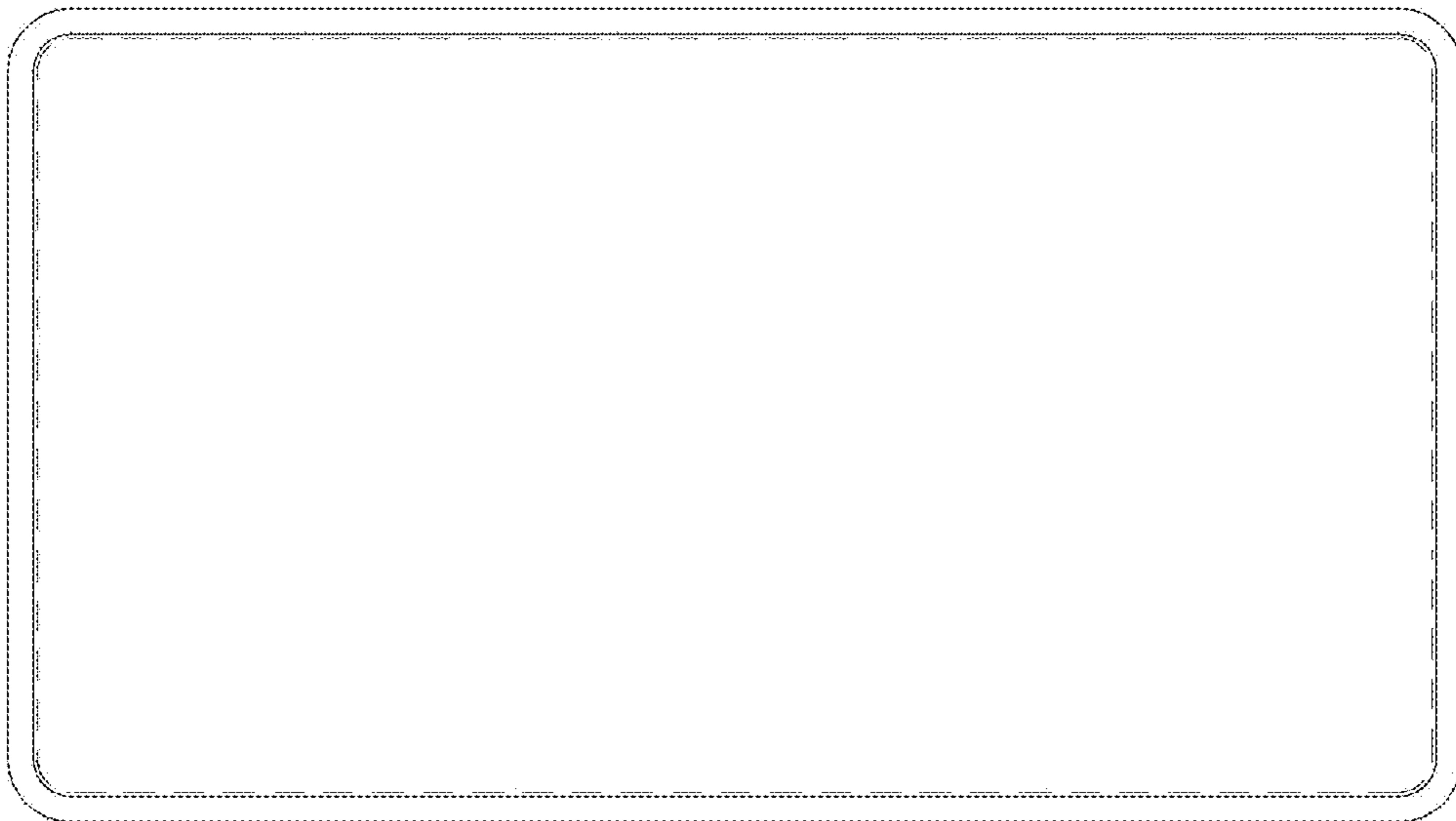


Fig. 4

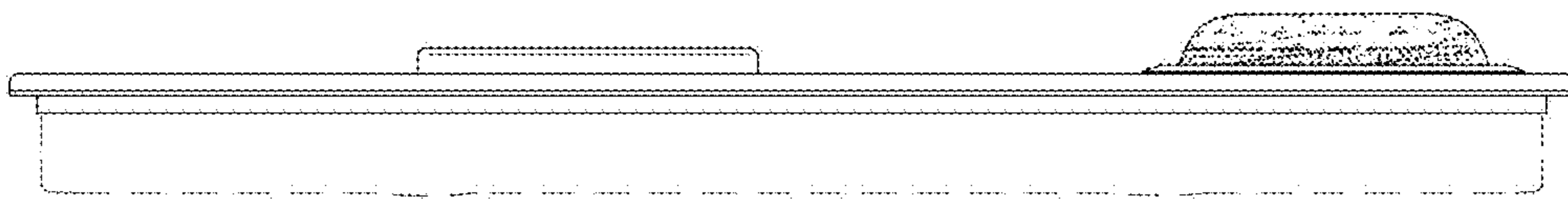


Fig. 5

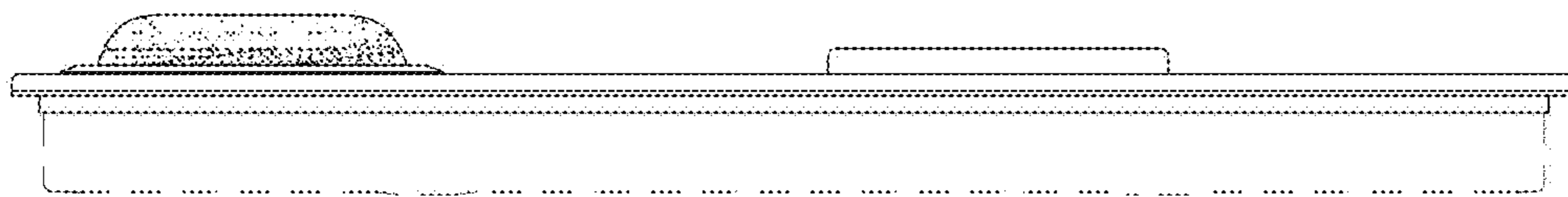


Fig. 6

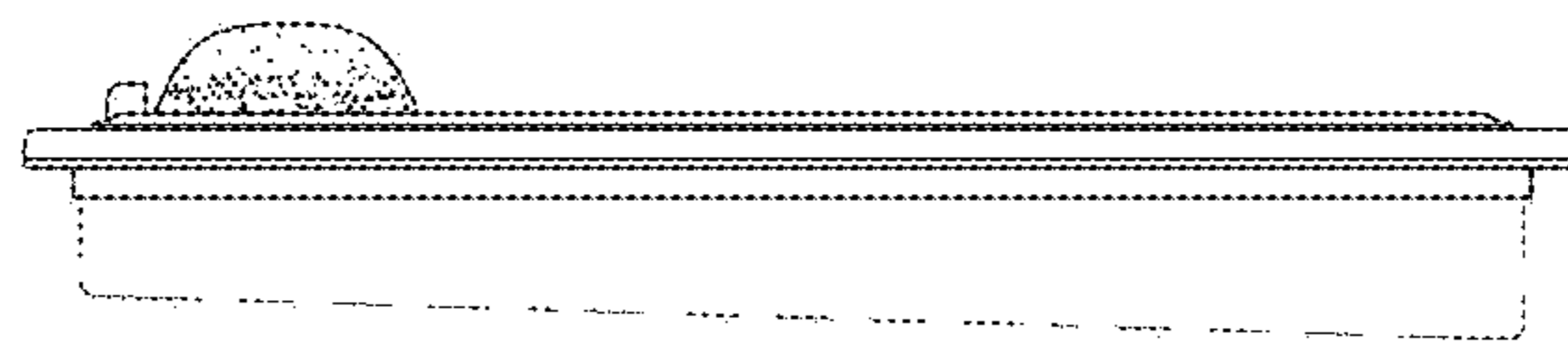


Fig. 7

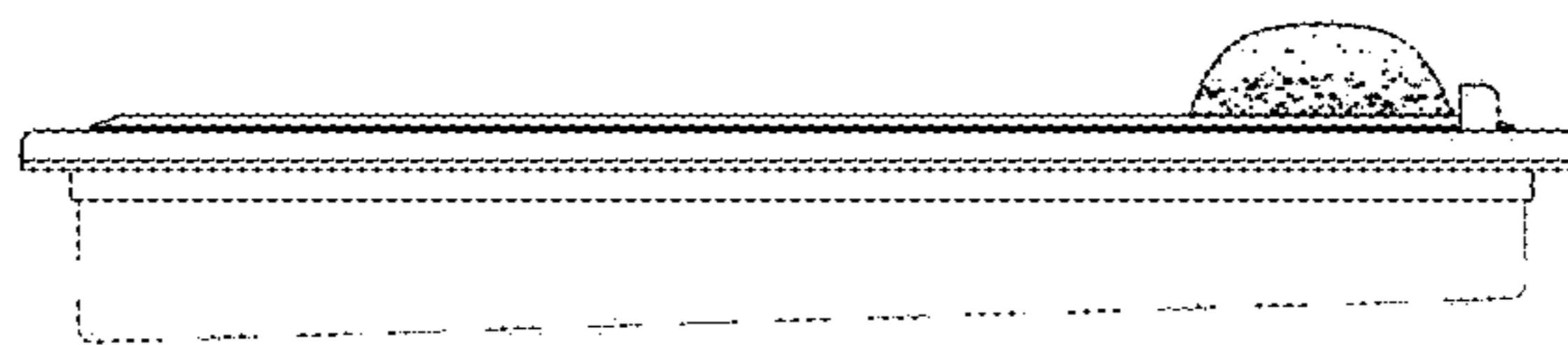


Fig. 8

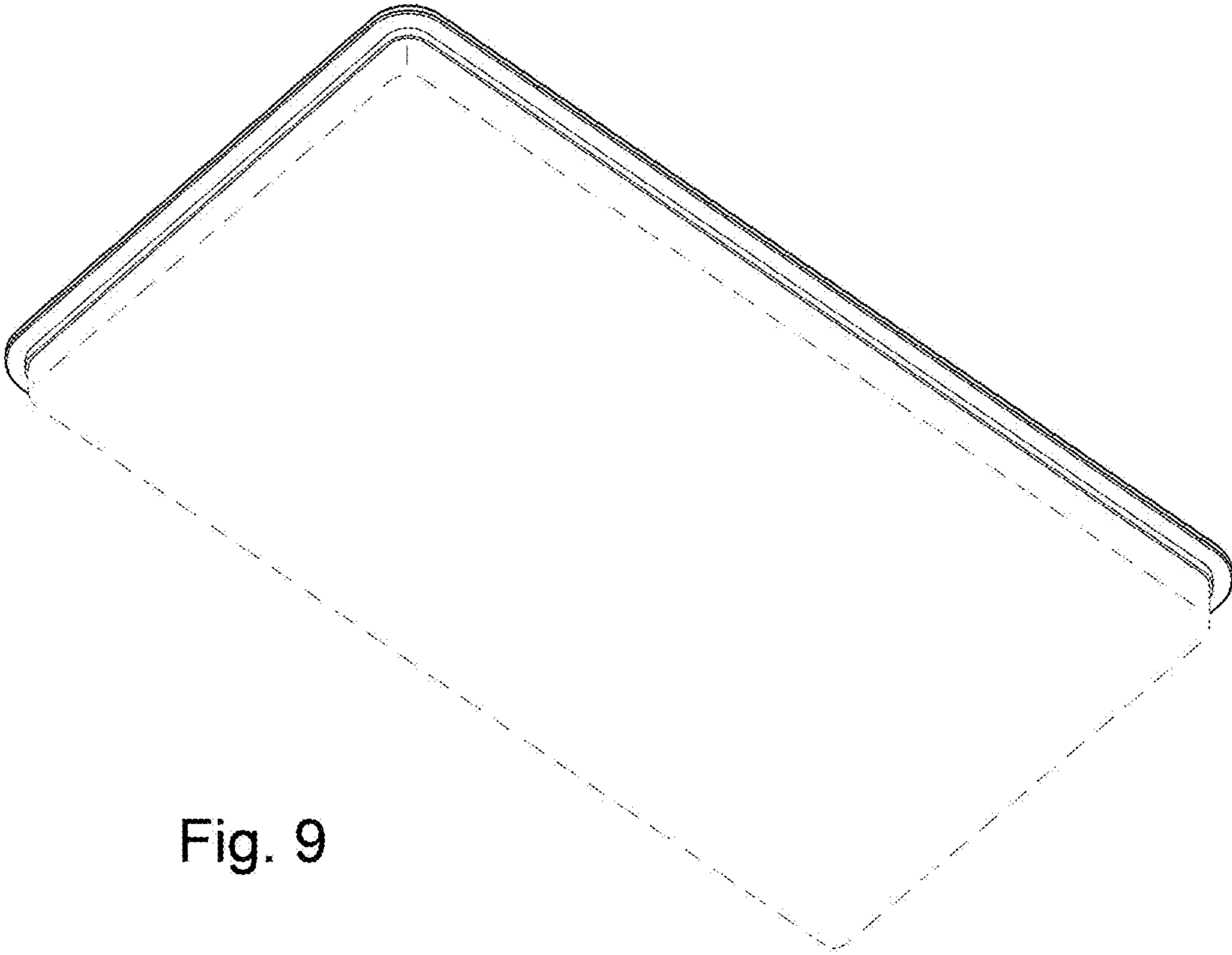


Fig. 9