



US0D1037696S

(12) **United States Design Patent** (10) **Patent No.:** **US D1,037,696 S**
Sullins (45) **Date of Patent:** **** Aug. 6, 2024**

(54) **LAP DESK WITH FOLDING PROP PAD**

(71) Applicant: **Patrick Hogan Sullins**, Arlington, TX (US)

(72) Inventor: **Patrick Hogan Sullins**, Arlington, TX (US)

(73) Assignee: **Creative Manufacturing, LLC**, Arlington, TX (US)

(**) Term: **15 Years**

(21) Appl. No.: **29/883,391**

(22) Filed: **Jan. 27, 2023**

(51) **LOC (14) Cl.** **06-04**

(52) **U.S. Cl.**
USPC **D6/406.3**

(58) **Field of Classification Search**
USPC ... D6/406.1–406.6, 512, 685, 686, 691, 704,
D6/705; D14/439, 447

(Continued)

(56) **References Cited**

U.S. PATENT DOCUMENTS

D526,810 S * 8/2006 Lorr D6/406.5
D583,164 S * 12/2008 Jennings D6/406.6

(Continued)

FOREIGN PATENT DOCUMENTS

GB 6347990 * 2/2024

OTHER PUBLICATIONS

LapGear: Home Office Lap Desk with Device Ledge, Mouse Pad, and Phone Holder—White Marble—Fits up to 15.6 Inch Laptops—Style No. 91501 <https://amzn.asia/d/hGSKJDi>, Feb. 7, 2019 (Year: 2019).*

(Continued)

Primary Examiner — Bao-Yen T Nguyen

Assistant Examiner — Bethany Louise Mallino

(74) *Attorney, Agent, or Firm* — Guy V. Manning

(57) **CLAIM**

The ornamental design for a lap desk with folding prop pad, as shown and described.

DESCRIPTION

FIG. 1 is a front, left, elevated, quartering perspective view of a new design for a lap desk with folding prop pad, showing the folding prop pad in a first position;

FIG. 2 is a section view, as indicated in FIG. 3, of the design of FIG. 1 showing the interior shape of a device slot in the top surface thereof.

FIG. 3 is a top plan view of the design of FIG. 1;

FIG. 4 is a bottom plan view of the design of FIG. 1 showing the folding prop pad in said first position;

FIG. 5 is a front elevational view of the design of FIG. 1 showing the folding prop pad in said first position;

FIG. 6 is a rear elevational view of the design of FIG. 1 showing the folding prop pad in said first position;

FIG. 7 is a right-side elevational view of the design of FIG. 1 showing the folding prop pad in said first position;

FIG. 8 is a left-side elevational view of the design of FIG. 1 showing the folding prop pad in said first position;

FIG. 9 is a front, left, elevated, quartering perspective view of the design of FIG. 1 showing the folding prop pad in a second position;

FIG. 10 is a front, left, lowered quartering perspective view of the design of FIG. 1 showing the folding prop pad in said second position;

FIG. 11 is a top plan view of the design of FIG. 1;

FIG. 12 is a bottom plan view of the design of FIG. 1 showing the folding prop pad in said second position;

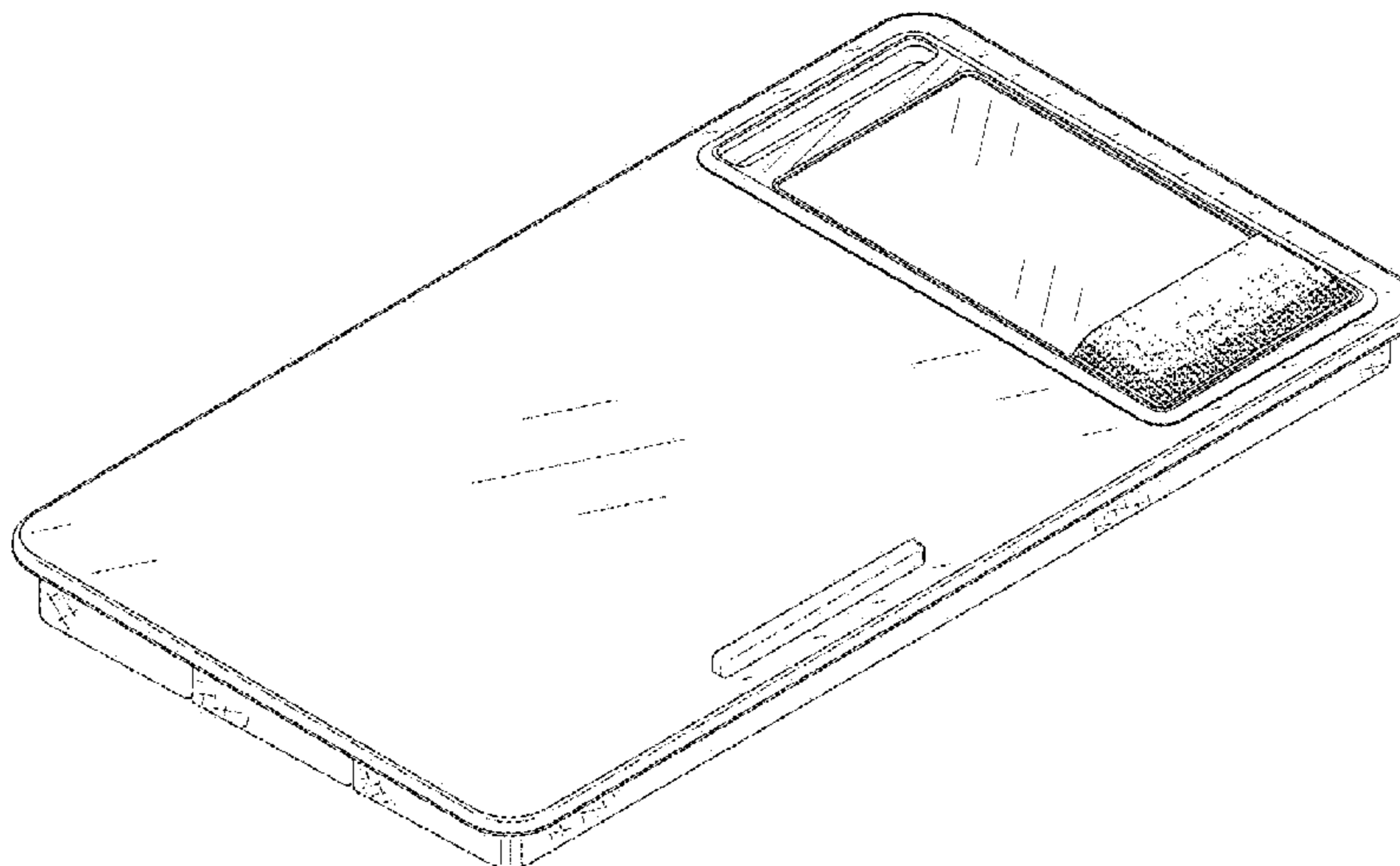
FIG. 13 is a rear elevational view of the design of FIG. 1 showing the folding prop pad in said second position;

FIG. 14 is a front elevational view of the design of FIG. 1 showing the folding prop pad in said second position;

FIG. 15 is a right-side elevational view of the design of FIG. 1 showing the folding prop pad in said second position; and,

FIG. 16 is a left-side elevational view of the design of FIG. 1 showing the folding prop pad in said second position.

(Continued)



The long-dashed, broken lines seen in FIG. 2 represent environmental structure and do not form part of the claimed design. Short-dashed, broken lines seen in FIGS. 4, 9, 10 and 14 represent stitching and do form a part of the claimed design.

1 Claim, 8 Drawing Sheets

(58) Field of Classification Search

CPC A47G 23/06; A47G 23/0608
See application file for complete search history.

(56) References Cited

U.S. PATENT DOCUMENTS

D638,636	S	*	5/2011	Chauss	D6/406.3
D653,873	S	*	2/2012	Chauss	D6/406.3
D663,546	S	*	7/2012	Jennings	D6/406.3
D720,152	S	*	12/2014	Chauss	D6/406.3

9,999,298	B1		6/2018	Sullins		
D836,937	S		1/2019	Sullins		
D853,147	S	*	7/2019	Chen	D6/406.5
D887,166	S	*	6/2020	Ren	D6/406.5
D914,393	S	*	3/2021	Xie	D6/406.6
D917,914	S	*	5/2021	Deng	D6/406.5
D944,554	S	*	3/2022	Zhang	D6/406.5
D944,555	S	*	3/2022	Zhang	D6/406.5
D946,303	S	*	3/2022	Sullins	D6/406.5
2020/0128953	A1	*	4/2020	Goldhammer	A47B 23/002

OTHER PUBLICATIONS

LapGear Elevation Pro Lap Desk with Gel Wrist Rest, Device Ledge, Mouse Pad, Booster Cushion and Phone Holder—Gray Woodgrain—Fits up to 17.3 Inch Laptops—Style No. 88105 <https://amzn.asia/d/5GSB3Rn>, Jun. 17, 2022 (Year: 2022).*

Sedison: Laptop Lap Desk Fit for 15.6inch Notebook Laptop Bed Table with Device Ledge, Mouse Pad and Phone Holder, Home Office Lap Desk for Laptop—Wood Grain Color <https://amzn.asia/d/1akaMGP>, Jul. 19, 2022 (Year: 2022).*

* cited by examiner

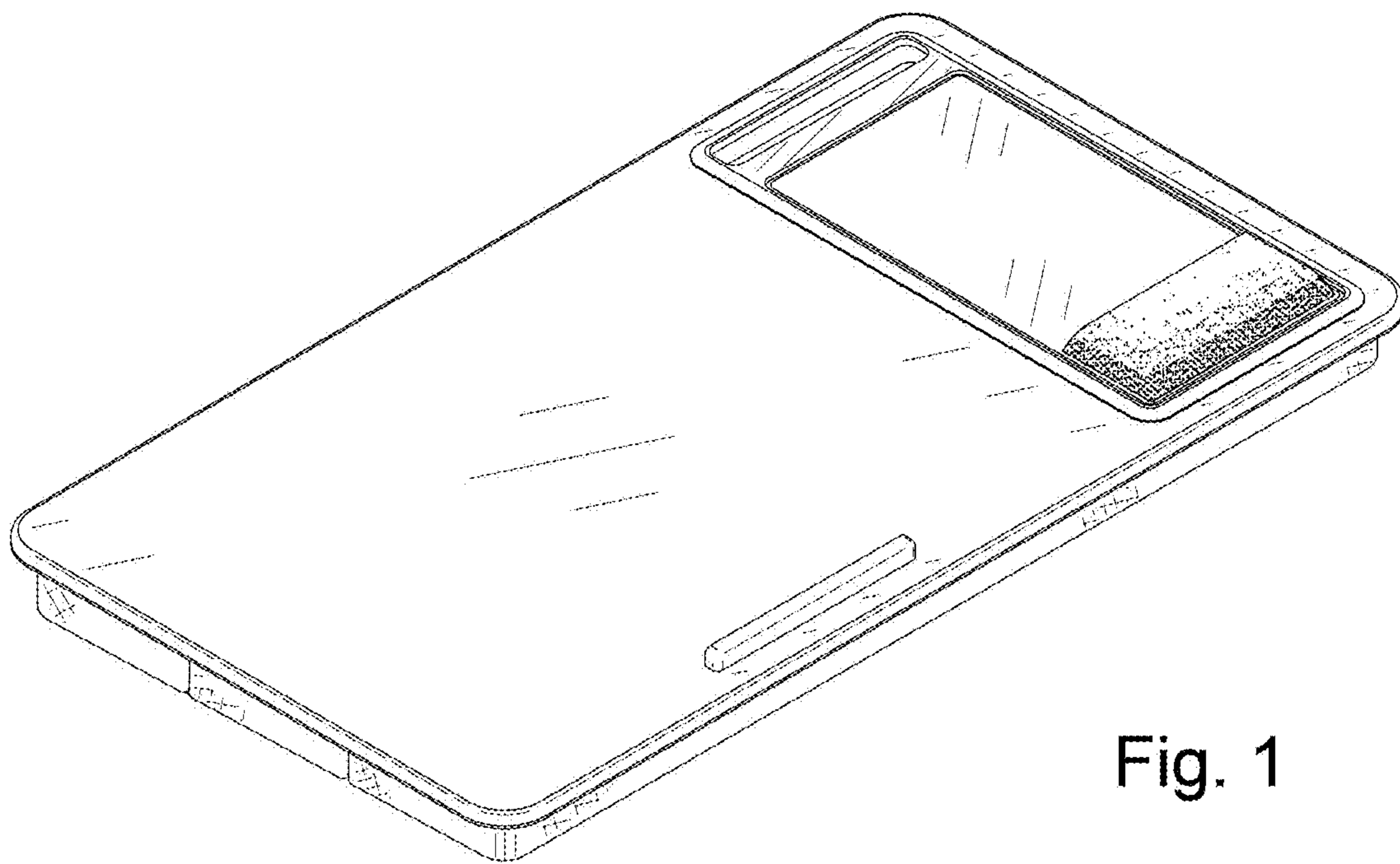


Fig. 1

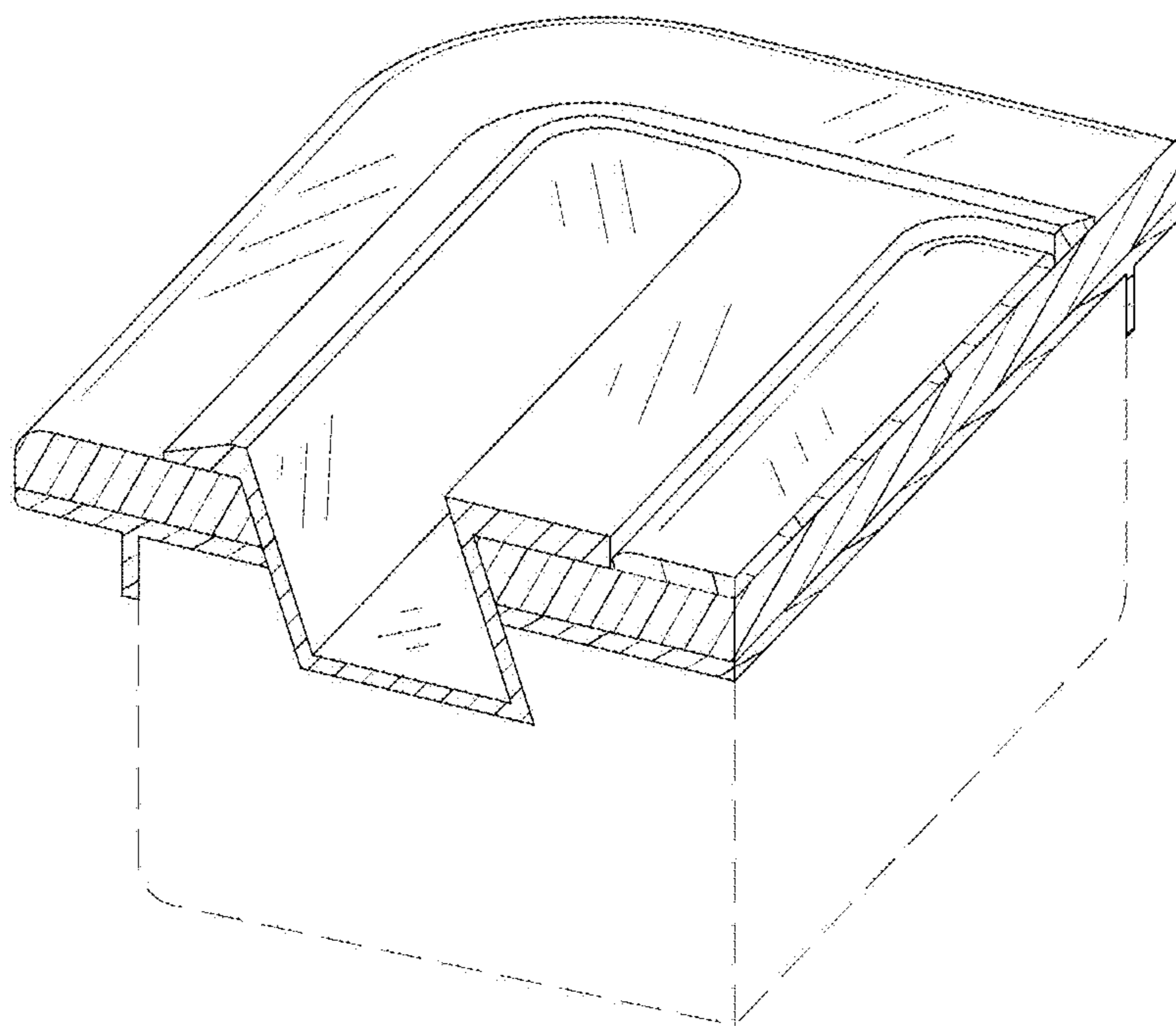


Fig. 2

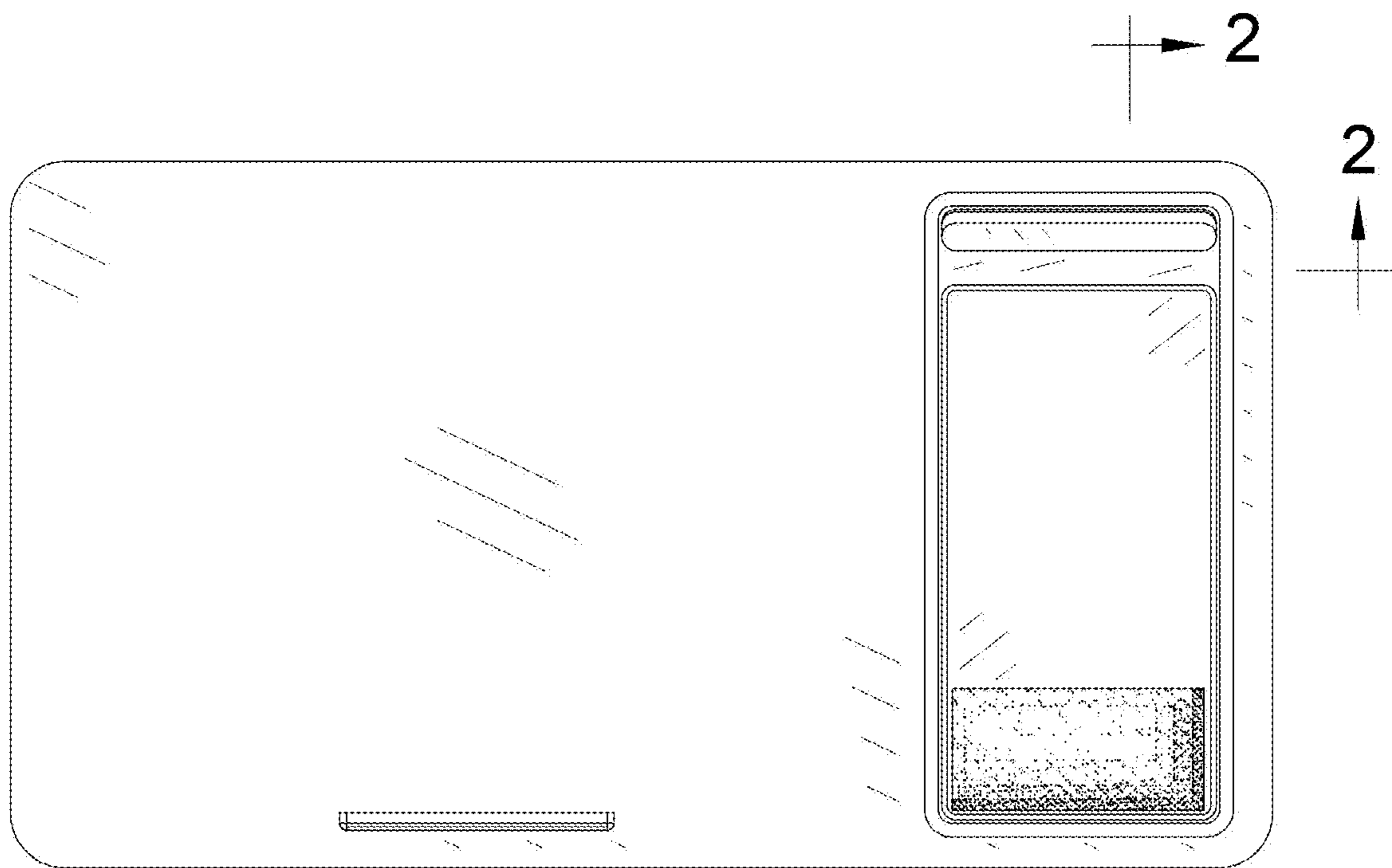


Fig. 3

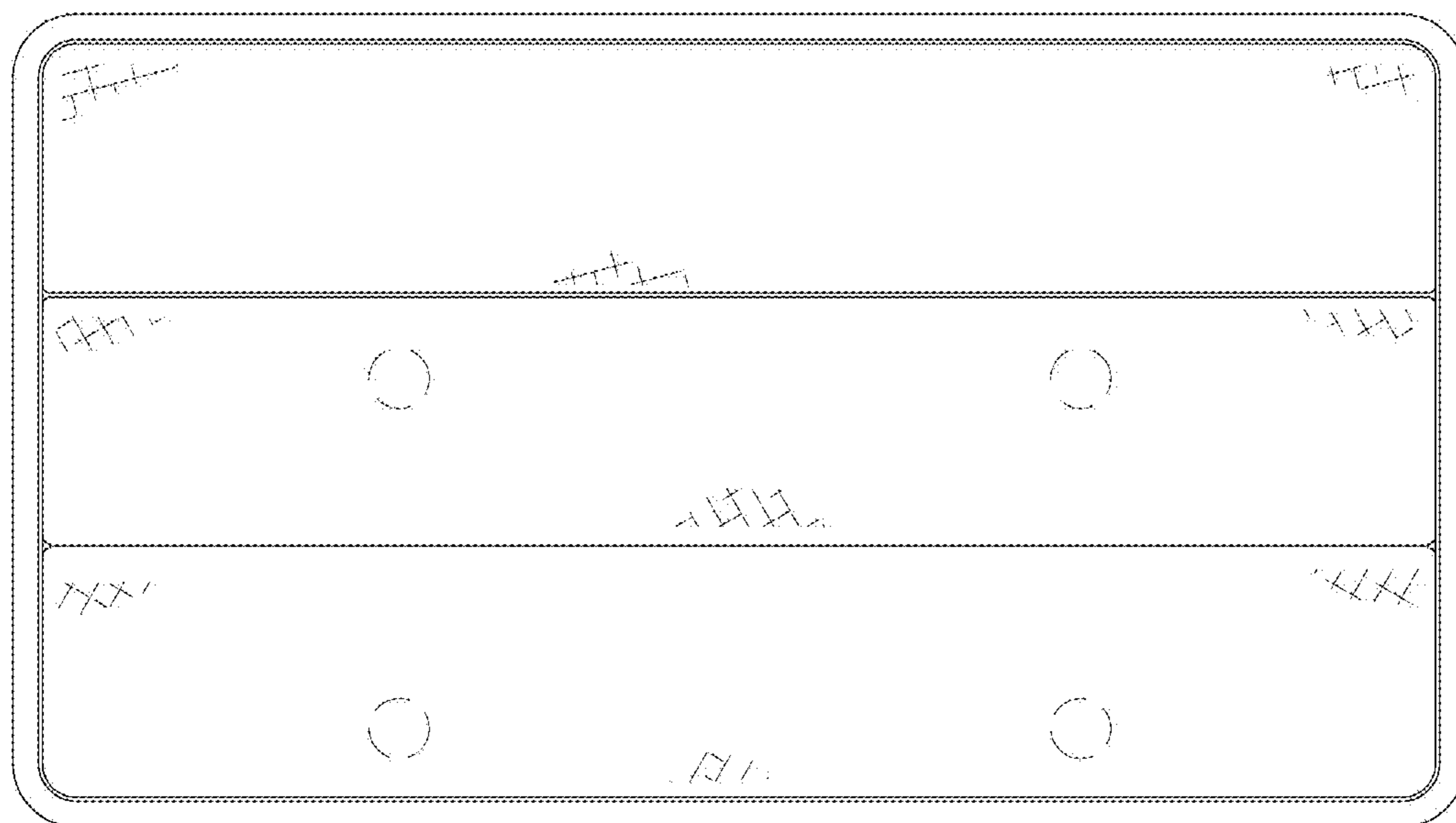


Fig. 4

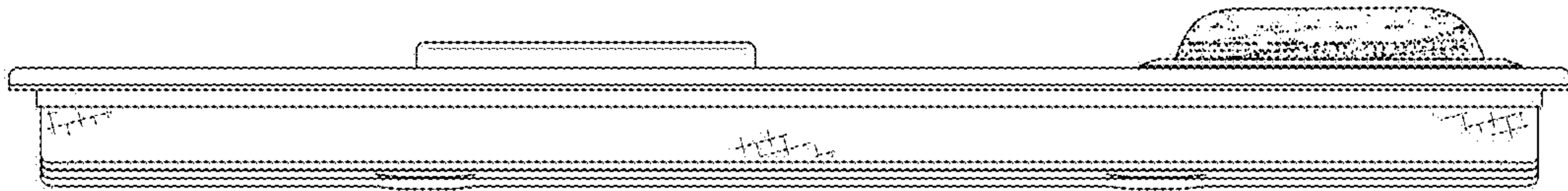


Fig. 5

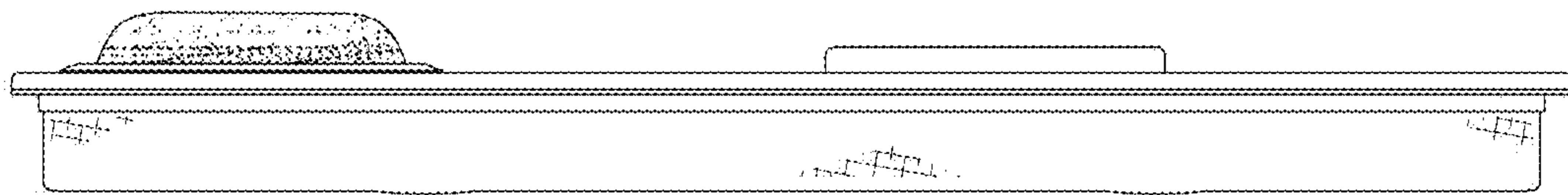


Fig. 6

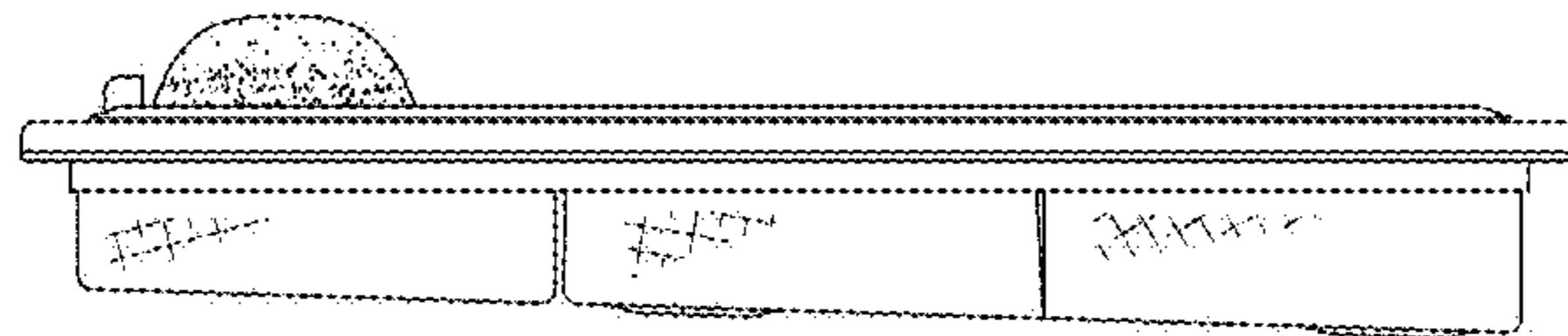


Fig. 7

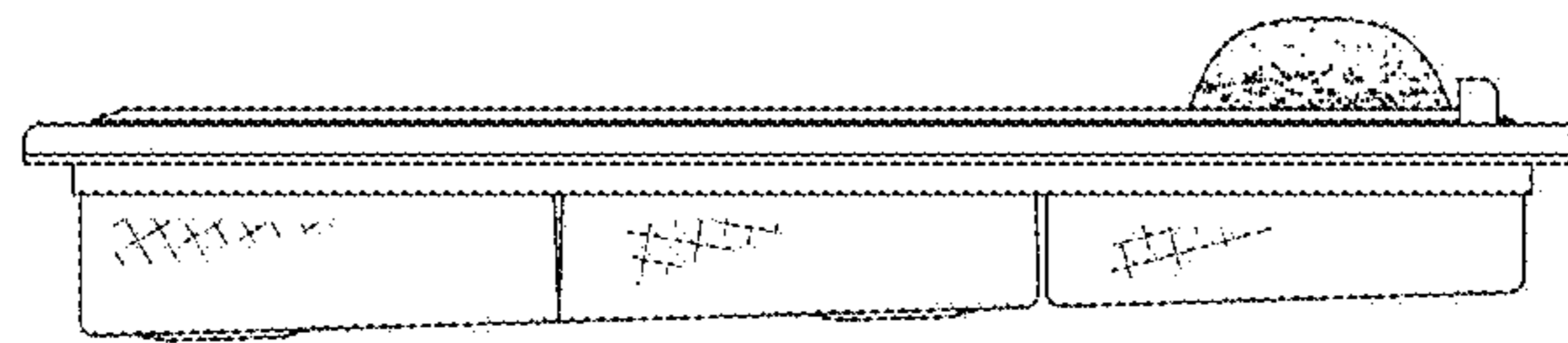


Fig. 8

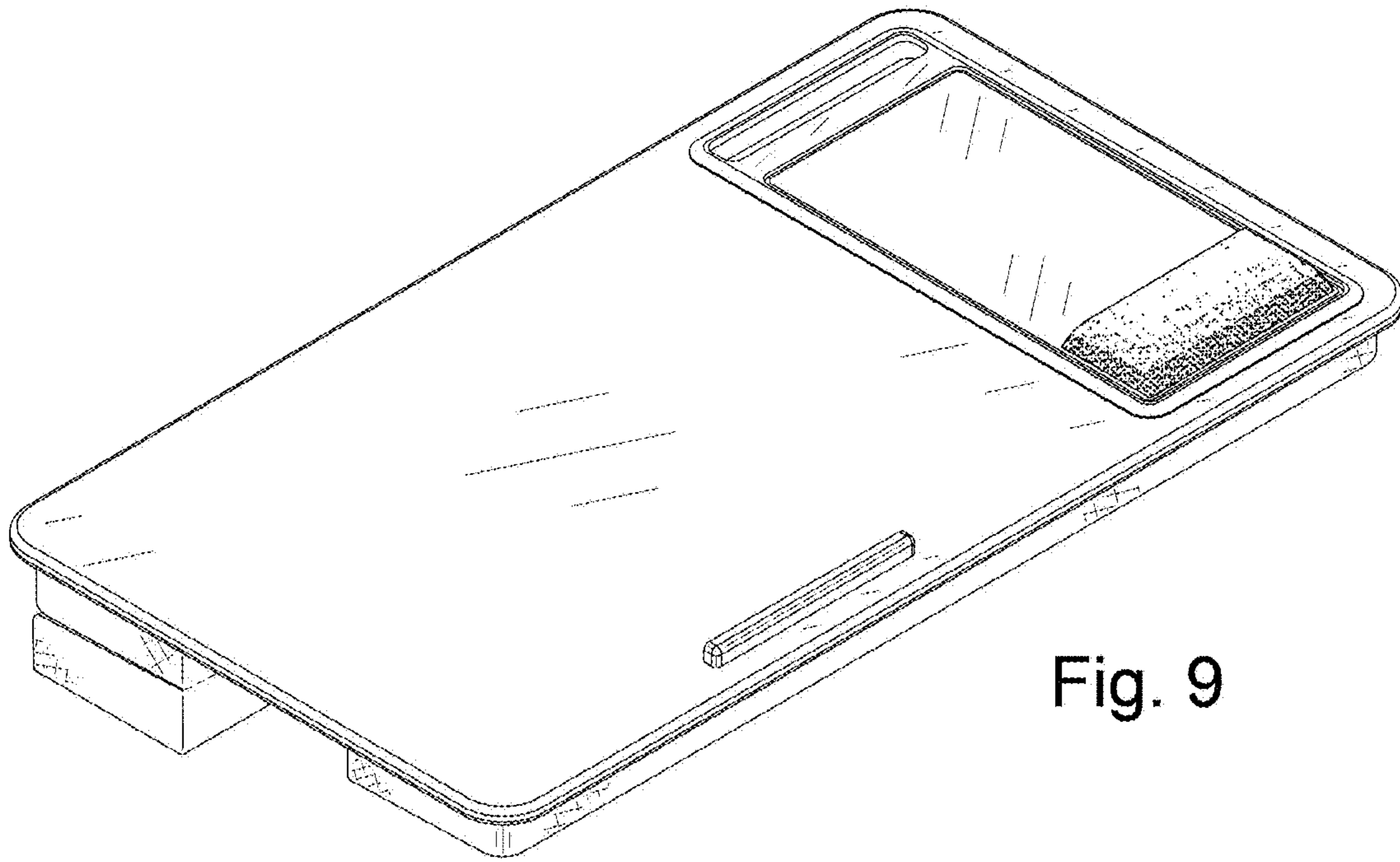


Fig. 9

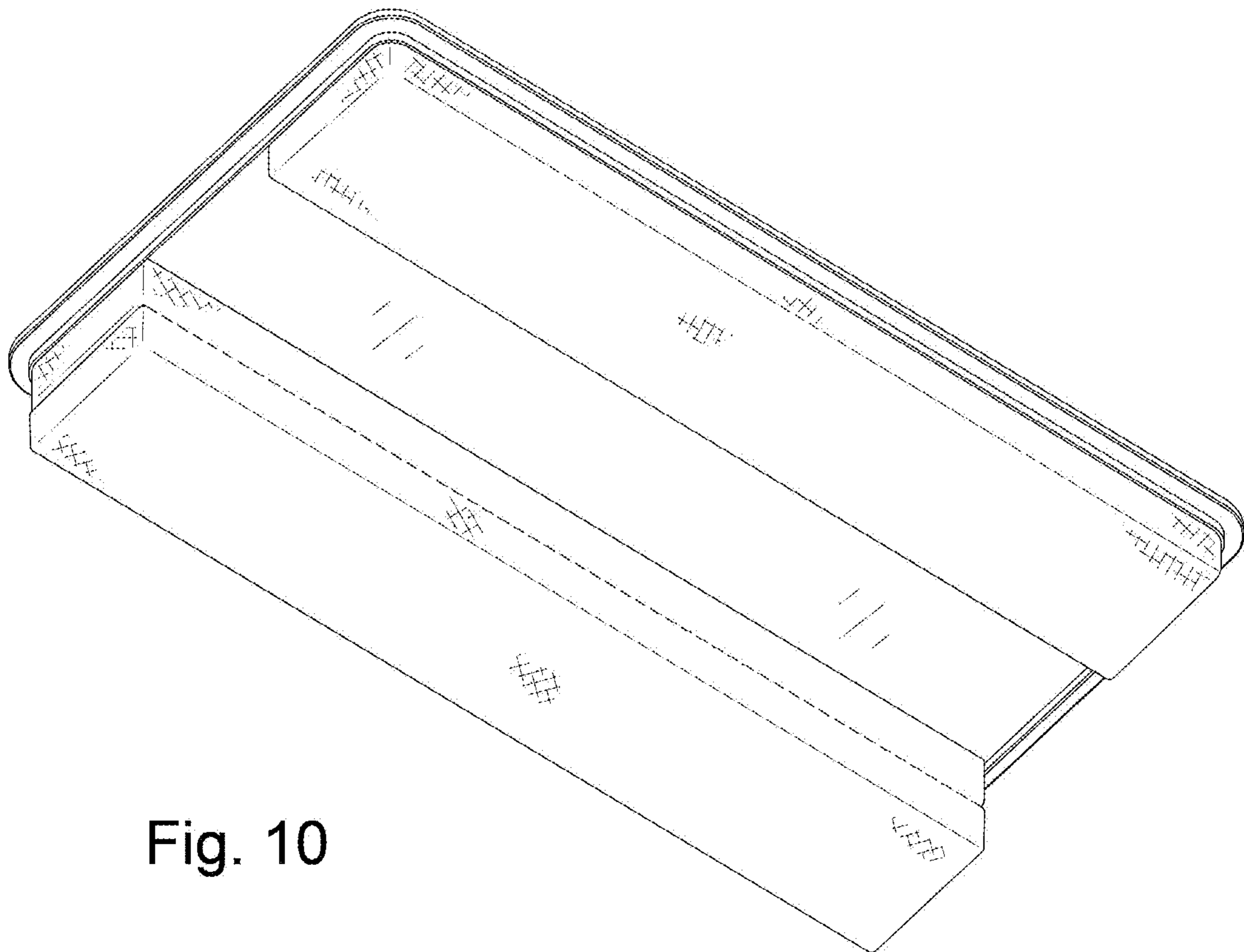


Fig. 10

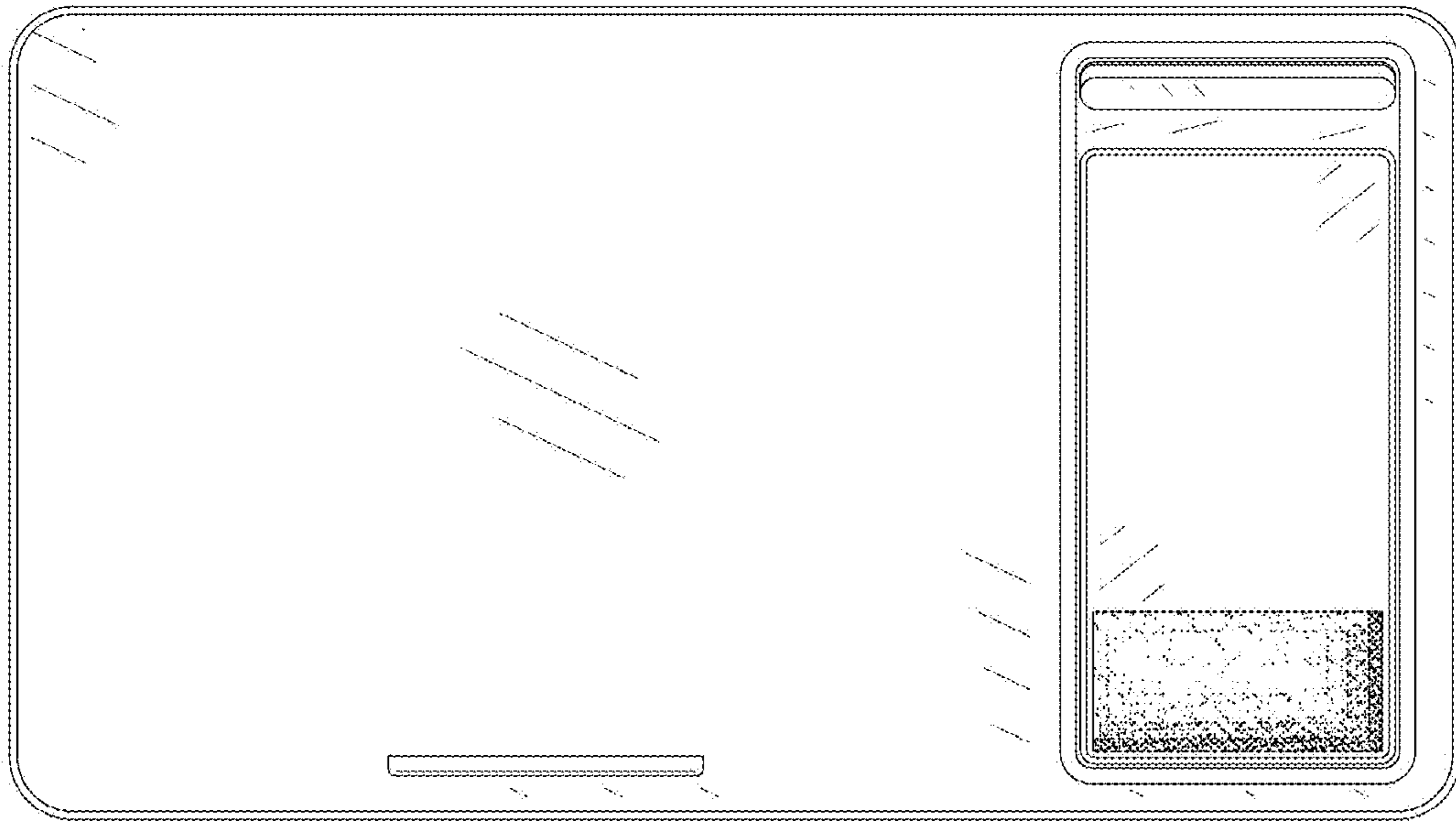


Fig. 11

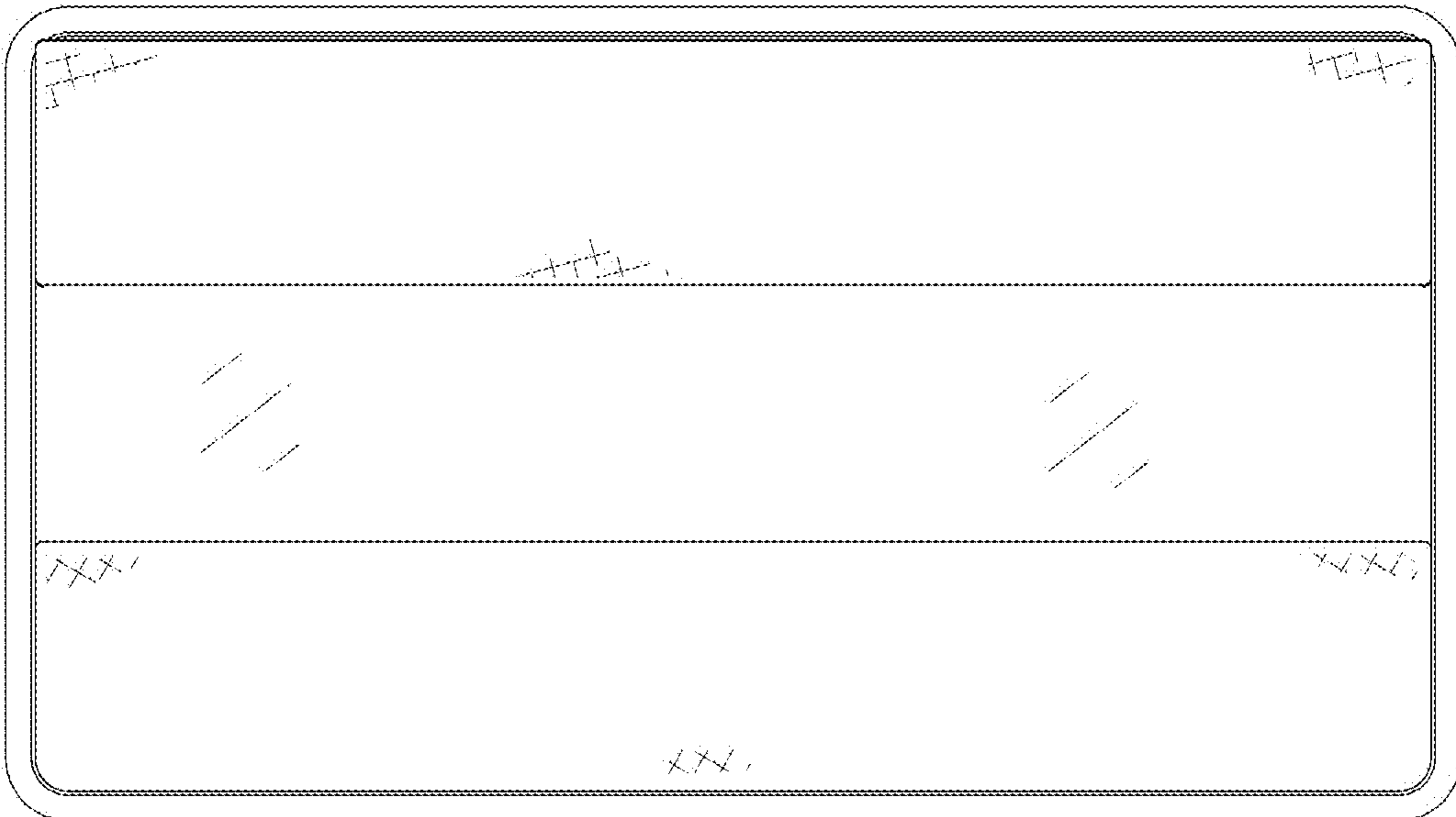


Fig. 12

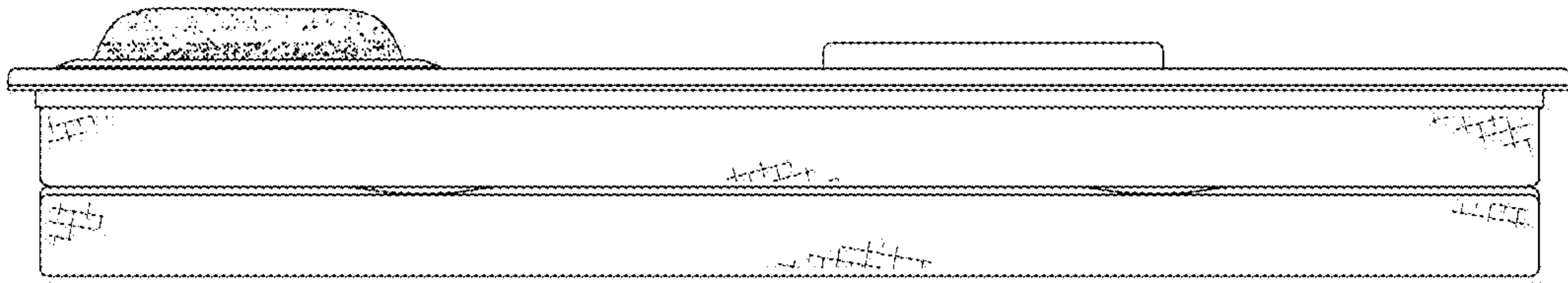


Fig. 13

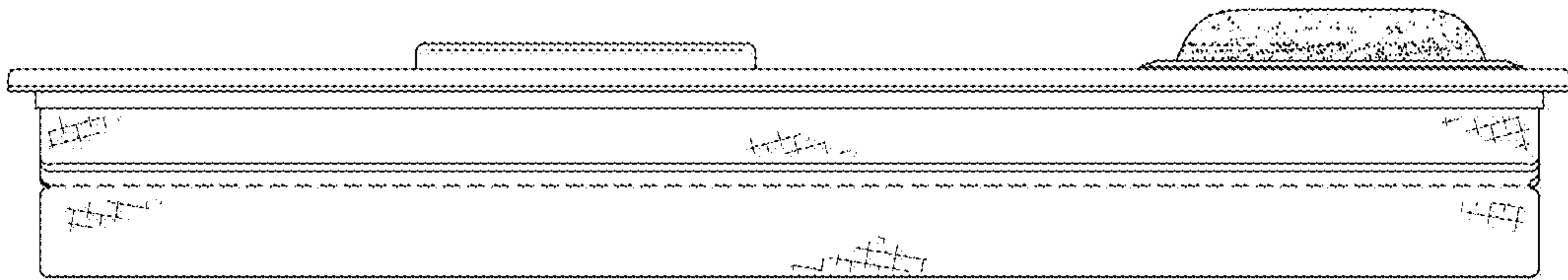


Fig. 14

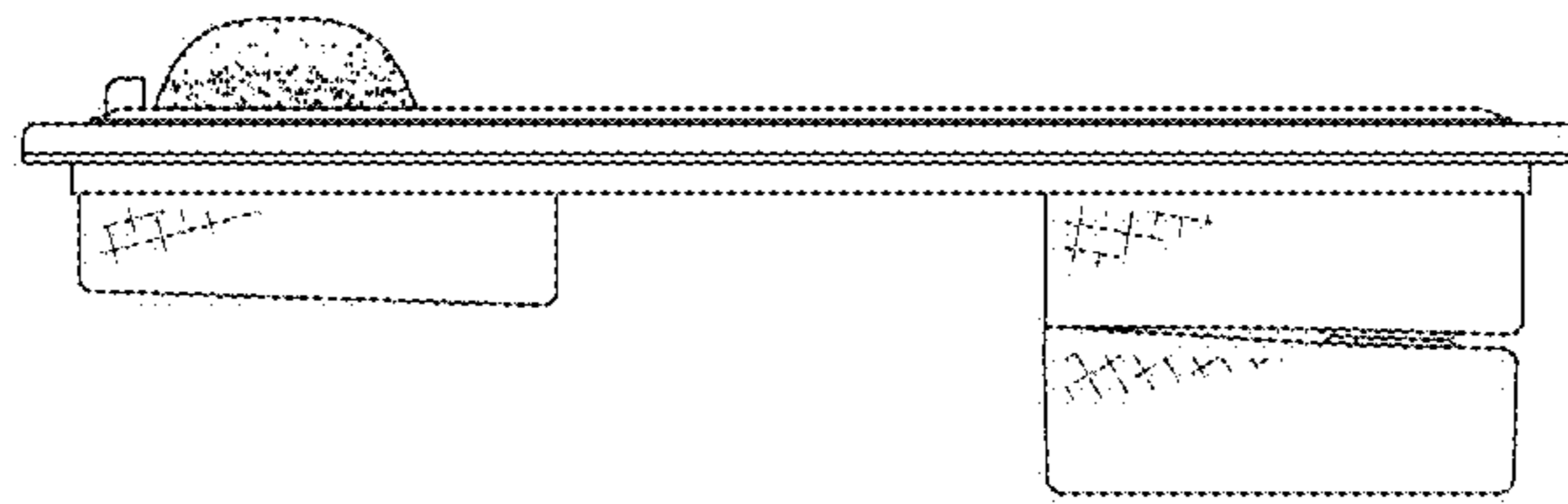


Fig. 15

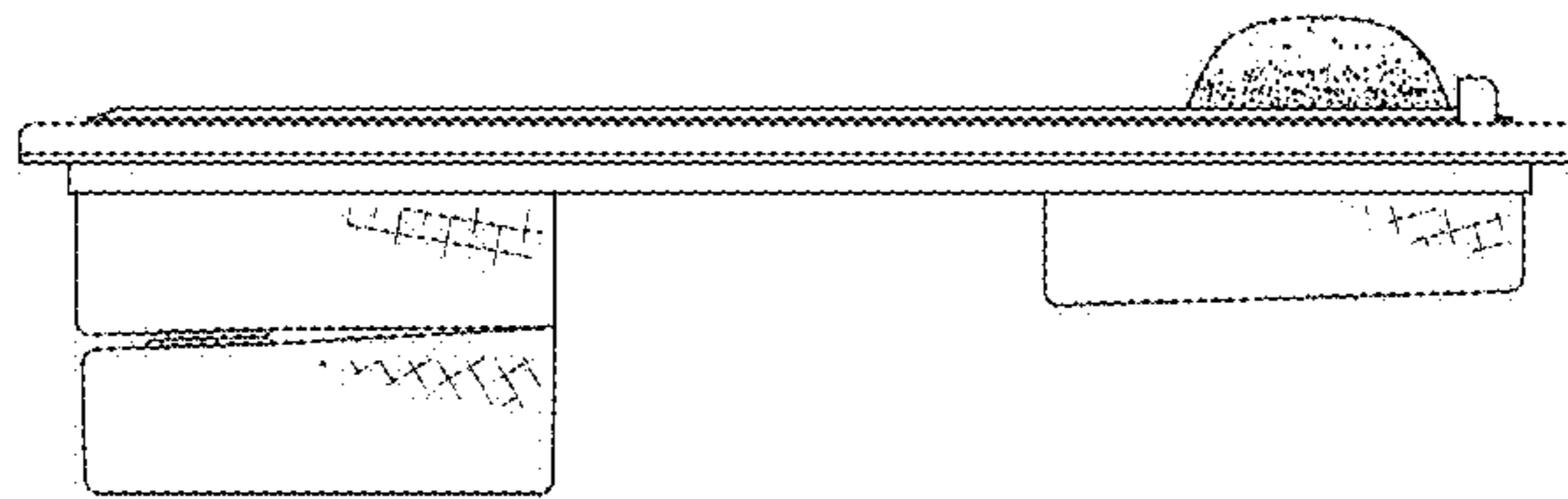


Fig. 16