



US0D1037463S

(12) **United States Design Patent** (10) **Patent No.:** **US D1,037,463 S**
Armstrong et al. (45) **Date of Patent:** **** Jul. 30, 2024**

- (54) **HEALTH MONITOR AND STRAP**
- (71) Applicant: **CURRENT HEALTH LIMITED**,
Edinburgh (GB)
- (72) Inventors: **Danielle Armstrong**, Edinburgh (GB);
Iain Macdonald Taylor, Edinburgh
(GB); **Stephen John Johnston**,
Edinburgh (GB)
- (73) Assignee: **CURRENT HEALTH LIMITED**,
Edinburgh (GB)
- (**) Term: **15 Years**
- (21) Appl. No.: **29/918,067**
- (22) Filed: **Nov. 24, 2023**

Related U.S. Application Data

- (62) Division of application No. 29/787,165, filed on Jun. 4, 2021, now Pat. No. Des. 1,012,292.
- (51) **LOC (14) Cl.** **24-02**
- (52) **U.S. Cl.**
USPC **D24/186**
- (58) **Field of Classification Search**
USPC D24/164, 165, 167, 168, 169, 186, 187,
D24/107; D10/70; D14/344
CPC A61B 5/0205; A61B 5/02405; A61B
5/02427; A61B 5/02438; A61B 5/0245;
A61B 5/254; A61B 5/257; A61B 5/26;
A61B 5/271; A61B 5/28; A61B 5/282;
A61B 5/308; A61B 5/318; A61B 5/332;
A61B 5/0022; A61B 5/02055; A61B
5/6898; A61B 5/1112; A61B 5/1117;
A61B 5/1118; A61B 5/14532; A61B
5/6824; A61B 5/6829; A61B 5/6831
See application file for complete search history.

(56) **References Cited**
U.S. PATENT DOCUMENTS

D718,866 S	12/2014	Law
D768,623 S	10/2016	Zou et al.
D780,316 S	2/2017	Pukall
D781,852 S	3/2017	Yu et al.
D794,206 S	8/2017	Cohrs et al.
D827,831 S	9/2018	Fong et al.
D838,853 S	1/2019	Lumme
D901,692 S	11/2020	Rihu et al.
D934,430 S	10/2021	Jariwala et al.
D937,418 S	11/2021	Byler et al.
D939,365 S	12/2021	Nothacker et al.
D954,959 S	6/2022	Rizzo et al.
D962,929 S	9/2022	He et al.
D970,017 S	11/2022	Knoedler

(Continued)

FOREIGN PATENT DOCUMENTS

CN 308323145 * 11/2023

Primary Examiner — T Chase Nelson

Assistant Examiner — Kelly L Gross

(74) *Attorney, Agent, or Firm* — Nixon & Vanderhye P.C.

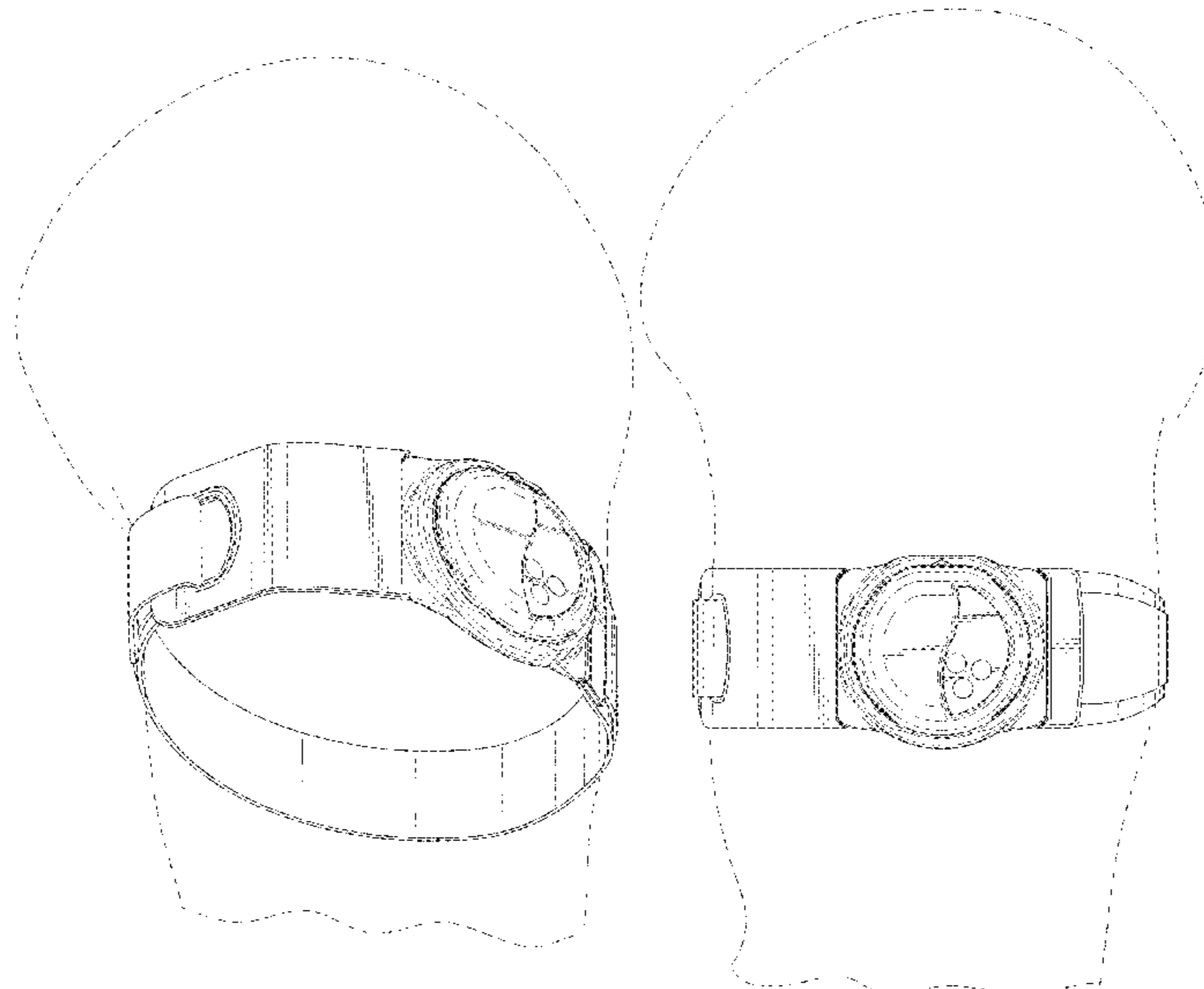
(57) **CLAIM**

The ornamental design for a health monitor and strap, as shown and described.

DESCRIPTION

FIG. 1 is a front perspective view of a health monitor and strap from above and left side;
 FIG. 2 is a rear perspective view from above and right side;
 FIG. 3 is a front view thereof;
 FIG. 4 is a rear view thereof;
 FIG. 5 is a left side view thereof;
 FIG. 6 is a right side view thereof;
 FIG. 7 is a top view thereof; and,
 FIG. 8 is a bottom view thereof.
 The broken lines illustrate environment and form no part of the claimed design.

1 Claim, 8 Drawing Sheets



(56)

References Cited

U.S. PATENT DOCUMENTS

D973,885	S	12/2022	Levine et al.	
D975,045	S	1/2023	Xu	
D976,416	S	1/2023	Baumer et al.	
D977,115	S	1/2023	Nicolae et al.	
D978,691	S	2/2023	Nothacker et al.	
D980,431	S	3/2023	Narayanan et al.	
D982,759	S	4/2023	Qian et al.	
D984,650	S	4/2023	Dixit et al.	
D986,421	S	5/2023	Lynch	
D990,676	S	6/2023	Takahashi	
D991,063	S	7/2023	Bosua	
D991,462	S	7/2023	Tasker et al.	
D994,123	S	8/2023	Lam et al.	
D994,887	S	8/2023	Lam et al.	
D998,154	S *	9/2023	Xia	D24/169
D998,933	S *	9/2023	Hansen	D24/167
D1,002,852	S *	10/2023	Simmons	D24/186
D1,004,777	S *	11/2023	Arsenault	D14/344
D1,008,058	S *	12/2023	Kivelä	D10/70
D1,008,465	S *	12/2023	Zhao	D24/231
D1,008,466	S *	12/2023	Zhao	D24/231
D1,010,973	S *	1/2024	Hansen	D24/167
D1,012,292	S *	1/2024	Armstrong	D24/186
D1,013,179	S *	1/2024	Al-Ali	D24/186
D1,013,324	S *	2/2024	Hansen	D24/167
D1,017,048	S *	3/2024	McIver	D24/186
D1,017,600	S *	3/2024	Shao	D14/344
2022/0265214	A1	8/2022	Jariwala et al.	

* cited by examiner

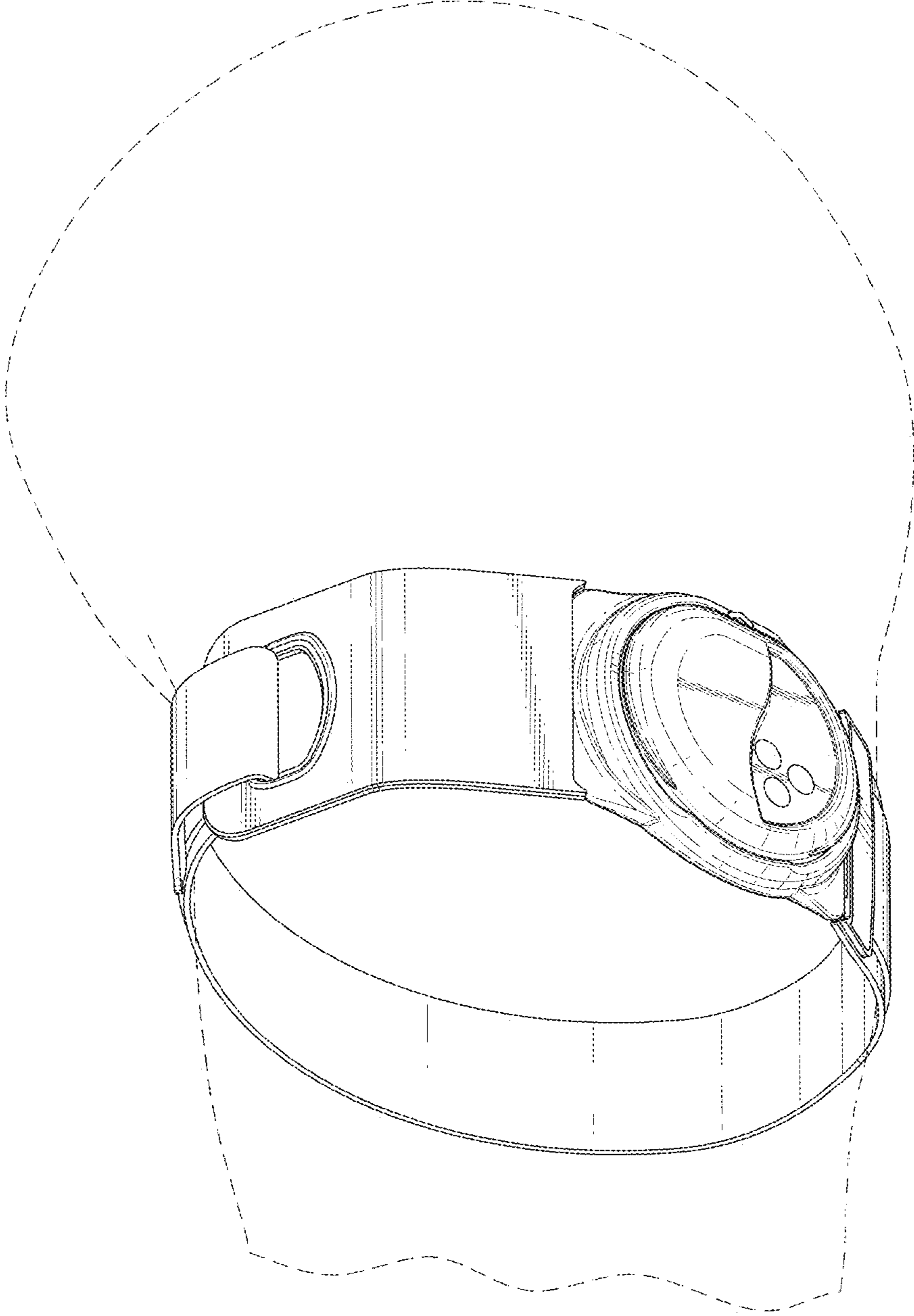


FIG. 1

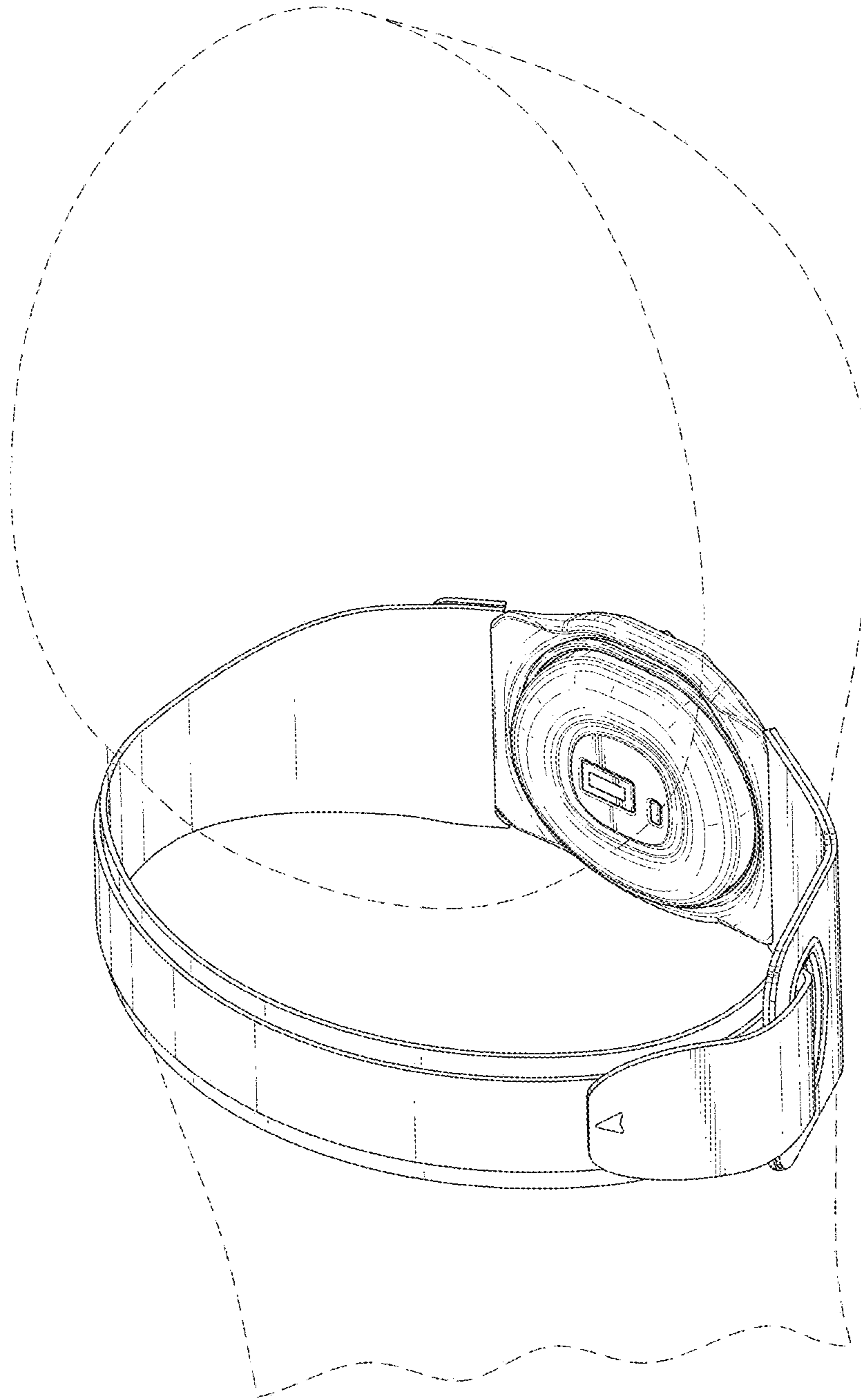


FIG. 2

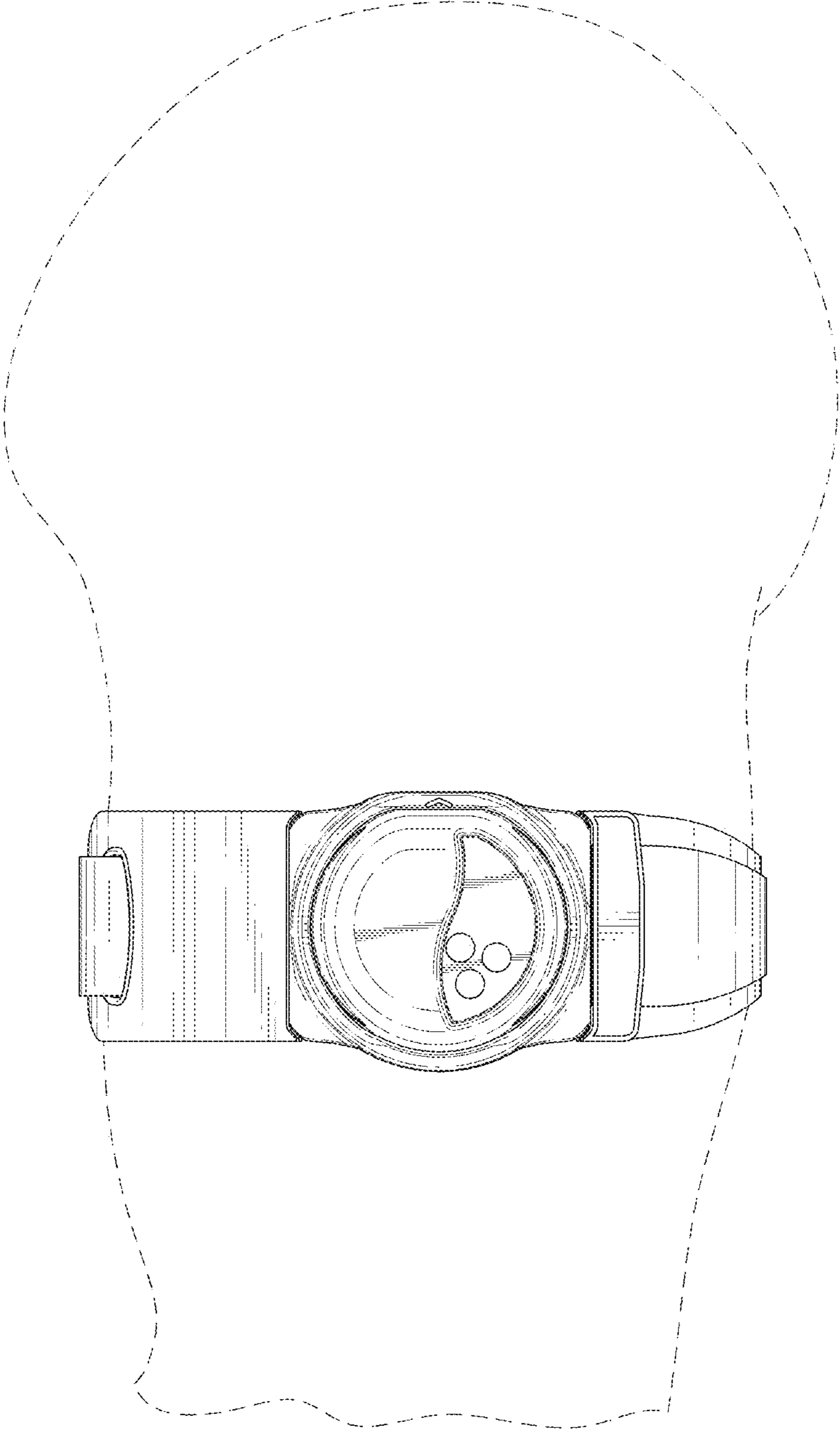


FIG. 3

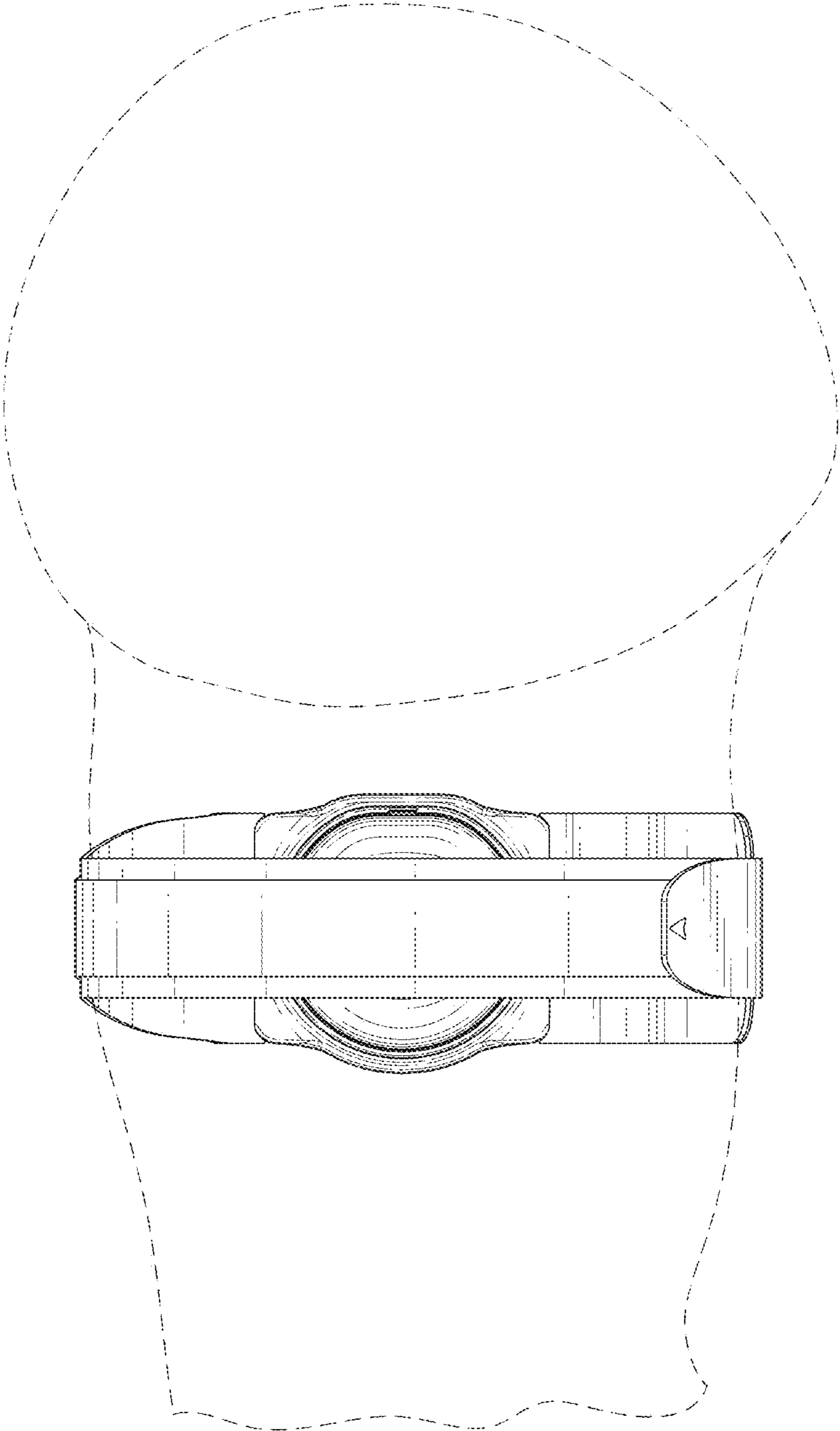


FIG. 4

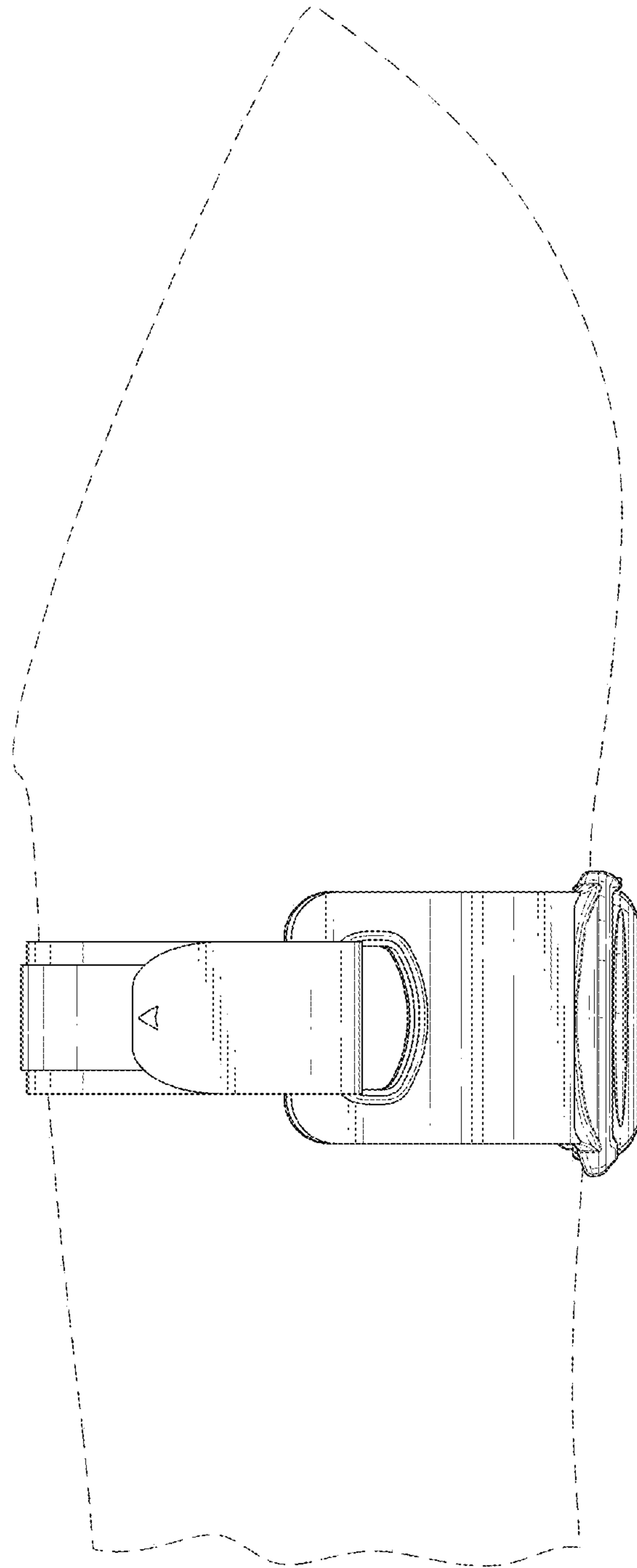


FIG. 5

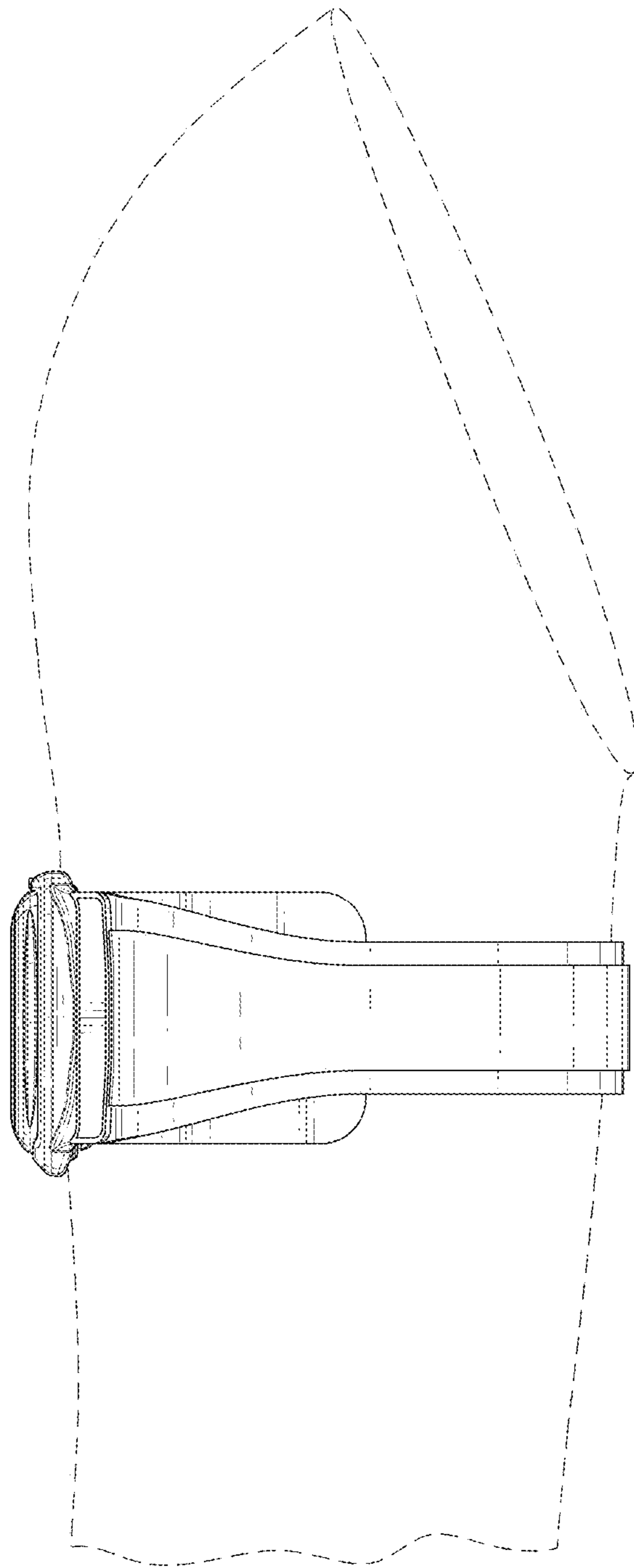


FIG. 6

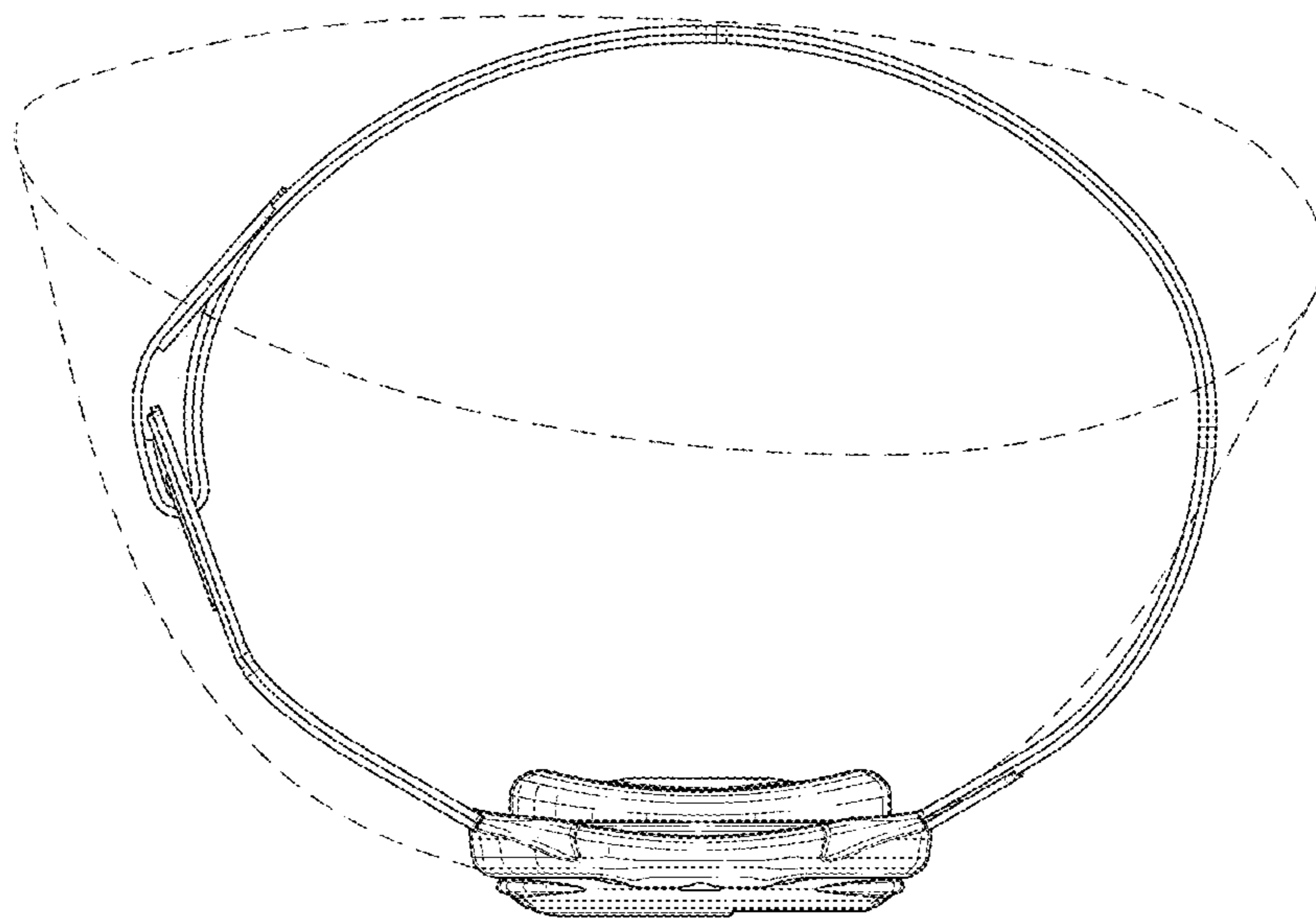


FIG. 7

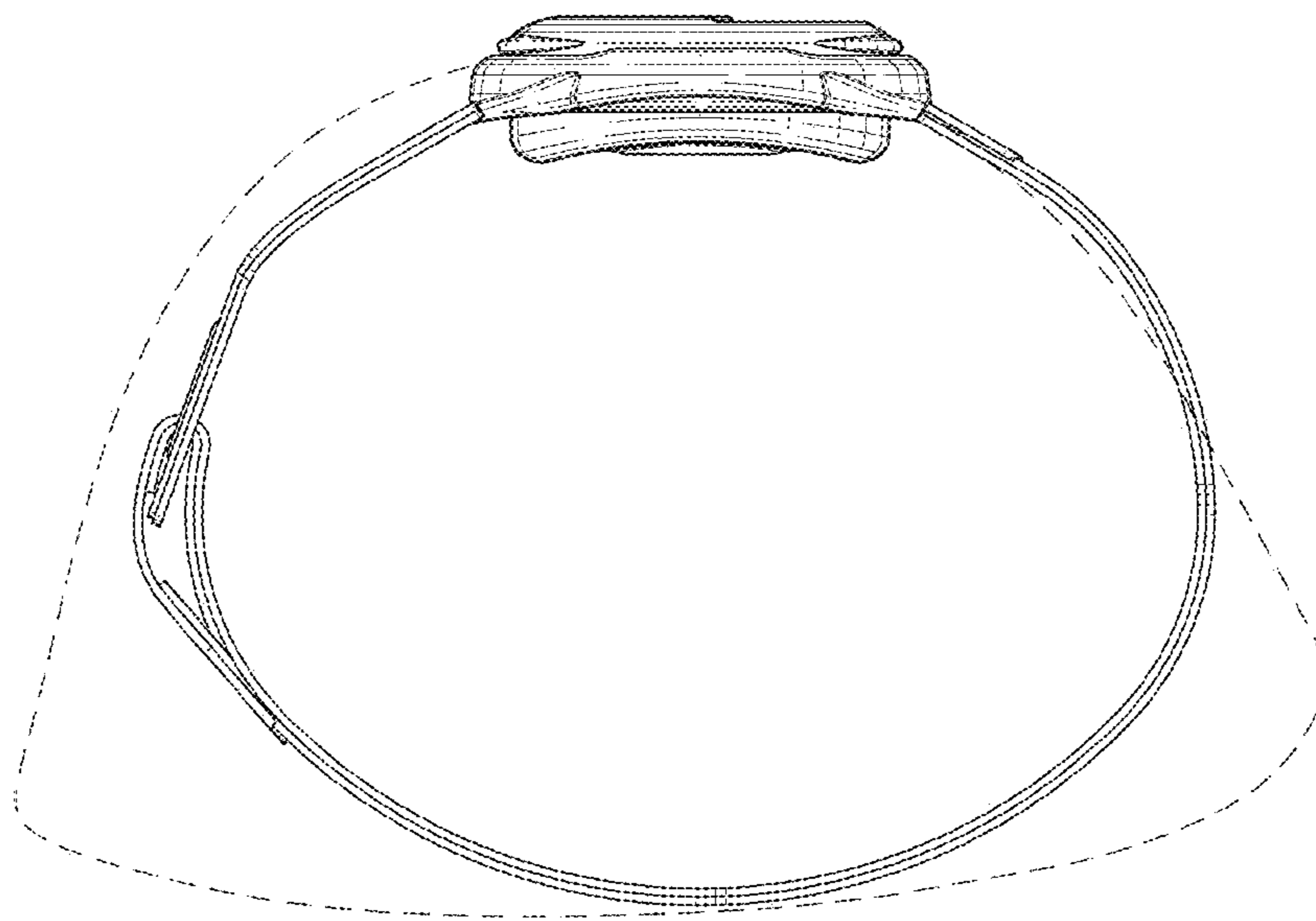


FIG. 8