



US0D1036912S

(12) **United States Design Patent** (10) **Patent No.:** **US D1,036,912 S**
Alvarez et al. (45) **Date of Patent:** **** Jul. 30, 2024**

(54) **DISPENSER**
(71) Applicant: **PepsiCo, Inc.**, Purchase, NY (US)
(72) Inventors: **Michel Alvarez**, Miami, FL (US);
Stephen Lim, Chappaqua, NY (US);
Klaus Rosburg, Brooklyn, NY (US);
Ali Akay, Milan (IT); **Gustavo De Souza Messias**, Milan (IT)
(73) Assignee: **PepsiCo, Inc.**, Purchase, NY (US)
(**) Term: **15 Years**
(21) Appl. No.: **29/849,718**
(22) Filed: **Aug. 12, 2022**
(51) **LOC (14) Cl.** **07-01**
(52) **U.S. Cl.**
USPC **D7/306**
(58) **Field of Classification Search**
USPC D6/515, 545; D7/300, 306, 307, 308,
D7/309, 310, 311, 312, 313, 314, 315,
D7/316, 317, 318, 319, 321, 397, 399,
D7/400, 401, 590, 592, 589, 602, 612,
D7/703
CPC .. A47G 2019/122; A47G 19/32; A47G 19/30;
A47G 19/24; A47G 19/12; A47J 31/02;
A47J 31/057; A47J 31/043; A47J 31/053;
A47J 31/0573; B67D 3/00
See application file for complete search history.

(56) **References Cited**
U.S. PATENT DOCUMENTS
D282,617 S * 2/1986 Hogan D7/308
D283,861 S * 5/1986 Cantolino D7/601
D286,728 S * 11/1986 Elmore D7/589
D287,690 S * 1/1987 Steinkamp D7/309
D296,405 S * 6/1988 Weaver D7/589
D309,402 S * 7/1990 Morrow D7/589
D358,325 S * 5/1995 McNaughton D6/515

D365,962 S * 1/1996 Amundsen D7/306
D392,843 S * 3/1998 Mulvihill D7/589
D421,550 S * 3/2000 Henry D7/589
D531,457 S * 11/2006 Gold D7/589
D555,968 S * 11/2007 Pfeifer D7/306
D558,504 S * 1/2008 Ben-Shlomo D7/306
D628,020 S * 11/2010 Lim D7/629
D696,350 S 12/2013 d'Amore et al.
D704,492 S 5/2014 Broen et al.
D704,950 S 5/2014 Bogner et al.
D710,642 S 8/2014 Broen et al.
D710,643 S 8/2014 Broen et al.
D714,847 S 10/2014 Broen et al.
D716,093 S 10/2014 Jakeman et al.
D727,673 S 4/2015 Broen et al.
D731,840 S * 6/2015 Cha D7/306
D732,328 S 6/2015 Bhutani et al.
D742,137 S * 11/2015 Criswell D6/544

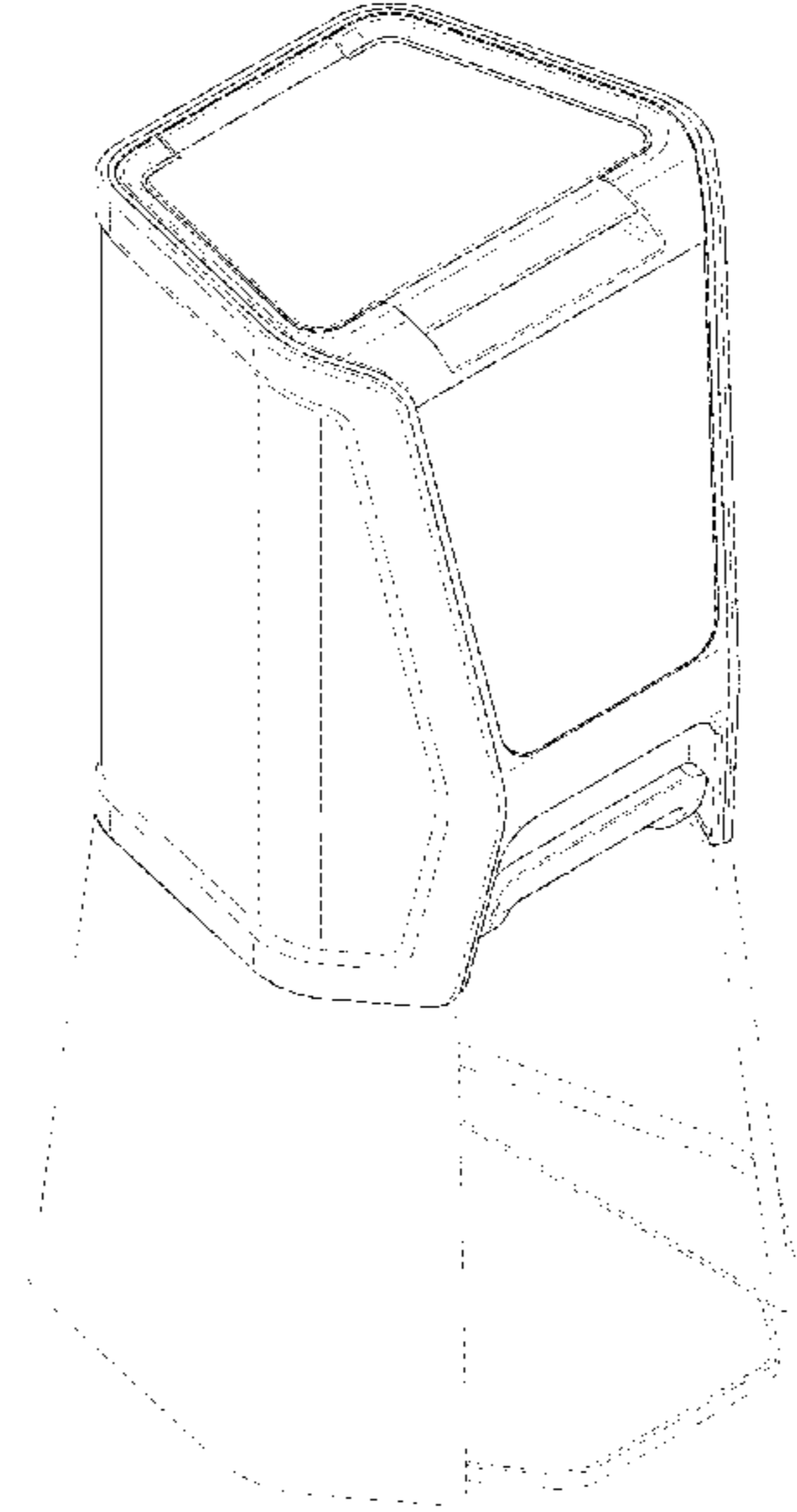
(Continued)

Primary Examiner — Joseph Kukella
Assistant Examiner — Darryl J Dardenne
(74) *Attorney, Agent, or Firm* — Sterne, Kessler,
Goldstein & Fox P.L.L.C.

(57) **CLAIM**
The ornamental design for a dispenser, as shown and described.

DESCRIPTION
FIG. 1 is a top front isometric view of a dispenser showing the claimed design;
FIG. 2 is a bottom front isometric view thereof;
FIG. 3 is a front elevation view thereof;
FIG. 4 is a rear elevation view thereof;
FIG. 5 is a left side elevation view thereof;
FIG. 6 is a right side elevation view thereof;
FIG. 7 is a top plan view thereof; and,
FIG. 8 is a bottom plan view thereof.
The broken lines in the figures show portions of the dispenser that form no part of the claimed design.

1 Claim, 8 Drawing Sheets



(56)

References Cited

U.S. PATENT DOCUMENTS

D751,849 S *	3/2016	Dunham	D7/307
D773,876 S *	12/2016	Harris, III	D7/307
D809,821 S *	2/2018	Moore	D6/545
D846,298 S *	4/2019	Harris	D6/515
D891,188 S *	7/2020	Mitchell	D7/589
D891,872 S *	8/2020	Mitchell	D7/589
D893,234 S	8/2020	Broen et al.	
D897,609 S *	9/2020	Loiseau	D30/122
D981,183 S *	3/2023	Chen	D7/589
D987,981 S *	6/2023	Lapp	D7/589
D993,704 S *	8/2023	Baerenwald	D7/306
D1,011,874 S *	1/2024	Edmonds	D7/629
D1,016,537 S *	3/2024	Zou	D7/311
2024/0060806 A1 *	2/2024	Rosburg	G01F 11/262

* cited by examiner

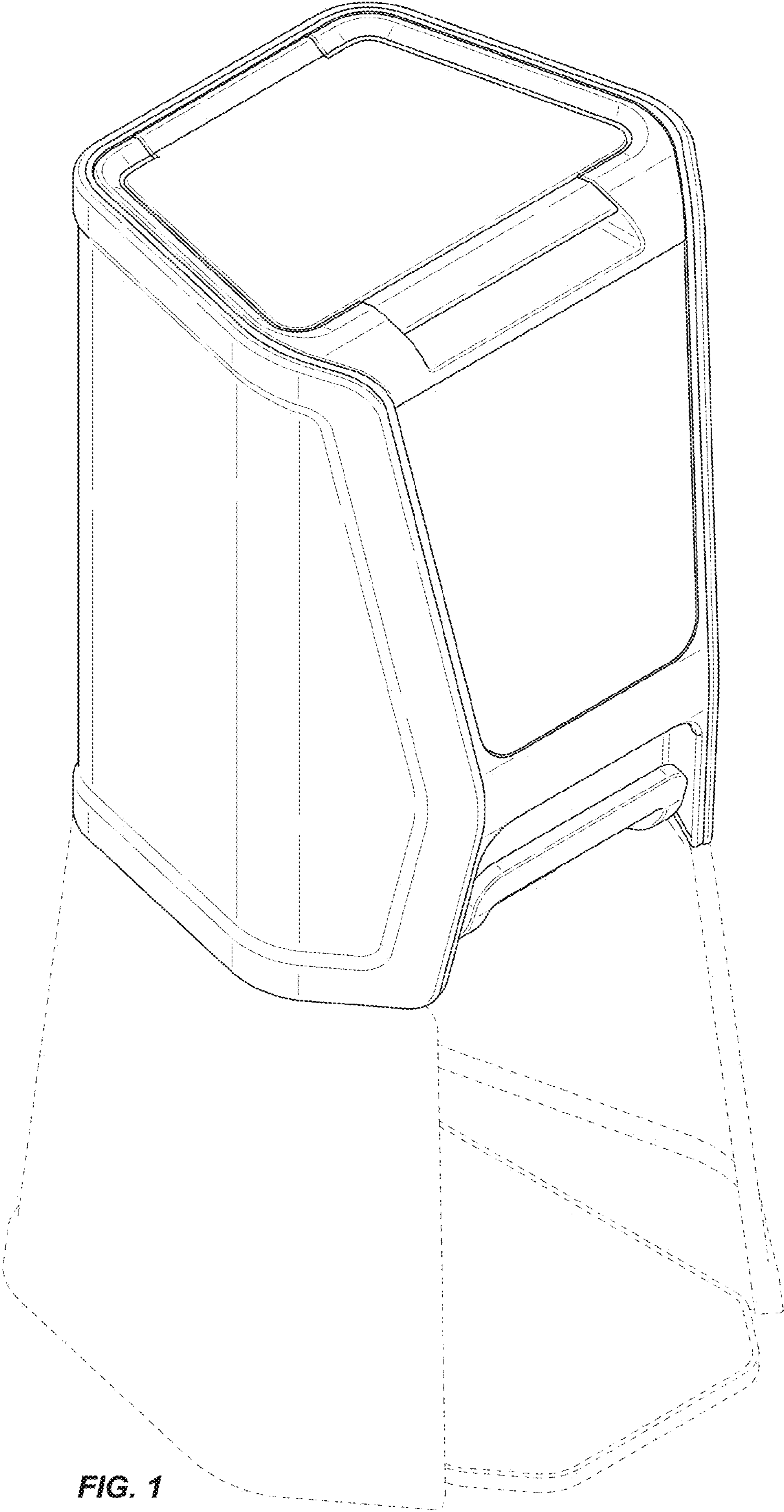


FIG. 1

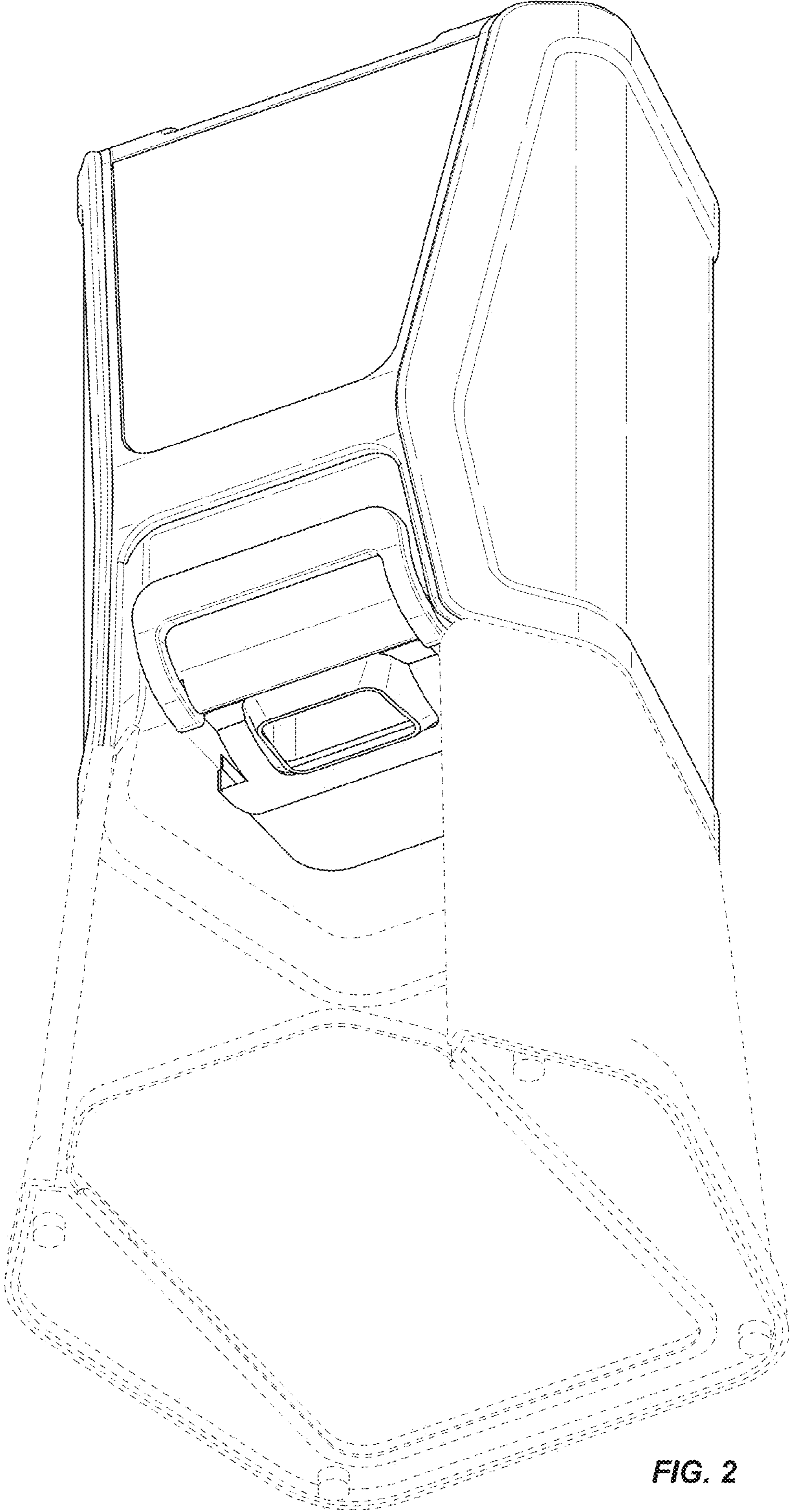


FIG. 2

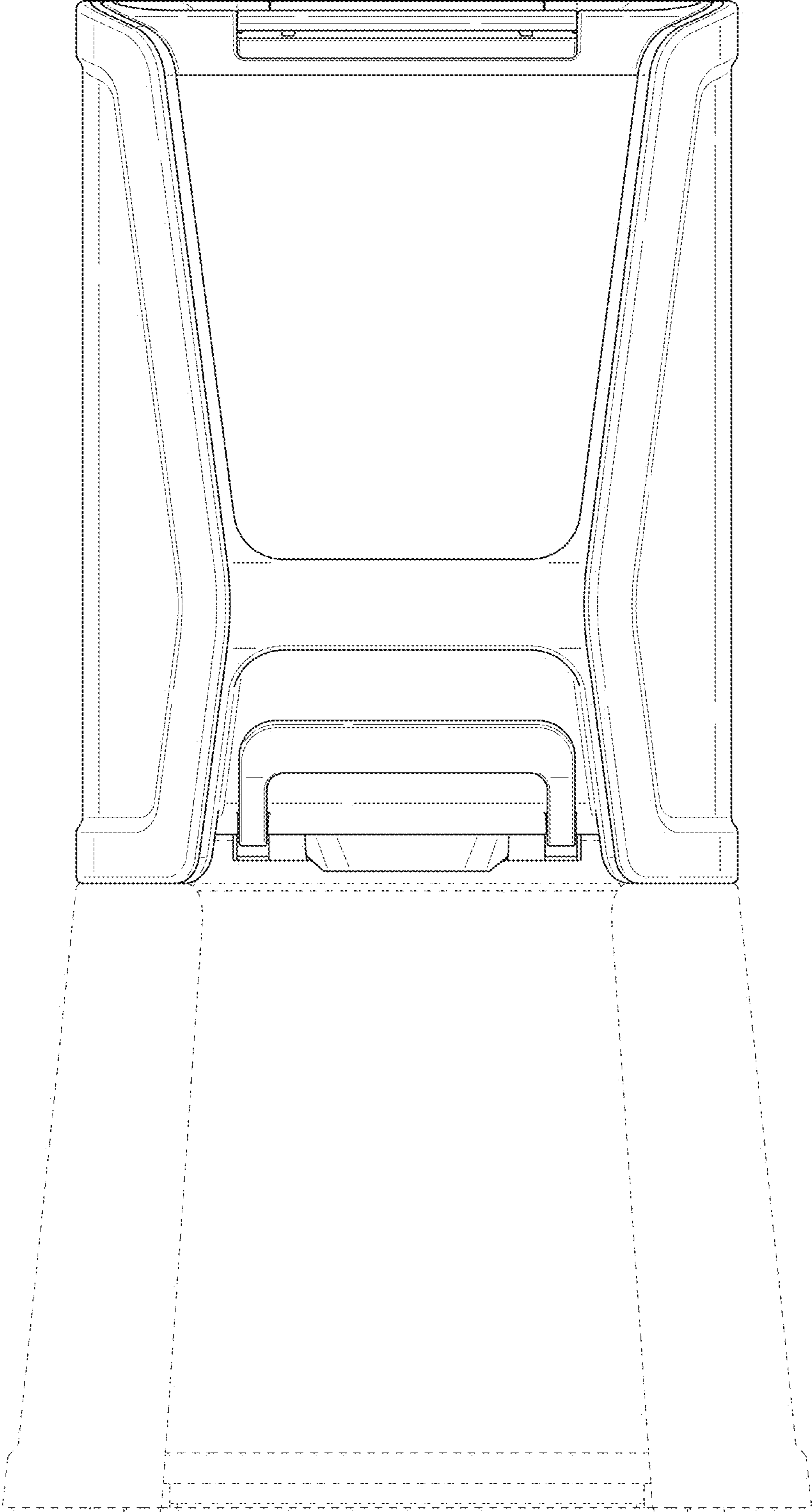


FIG. 3

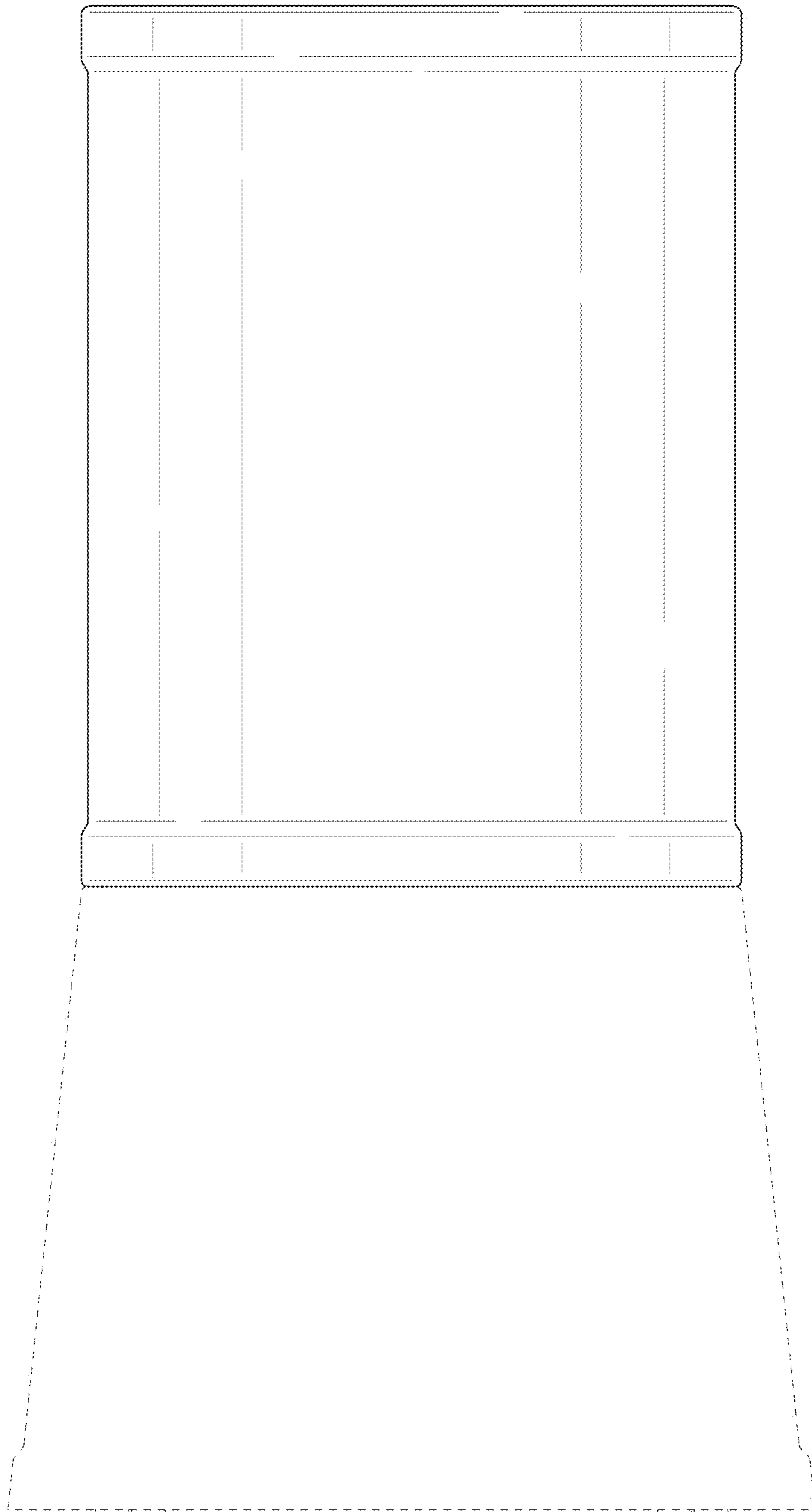


FIG. 4

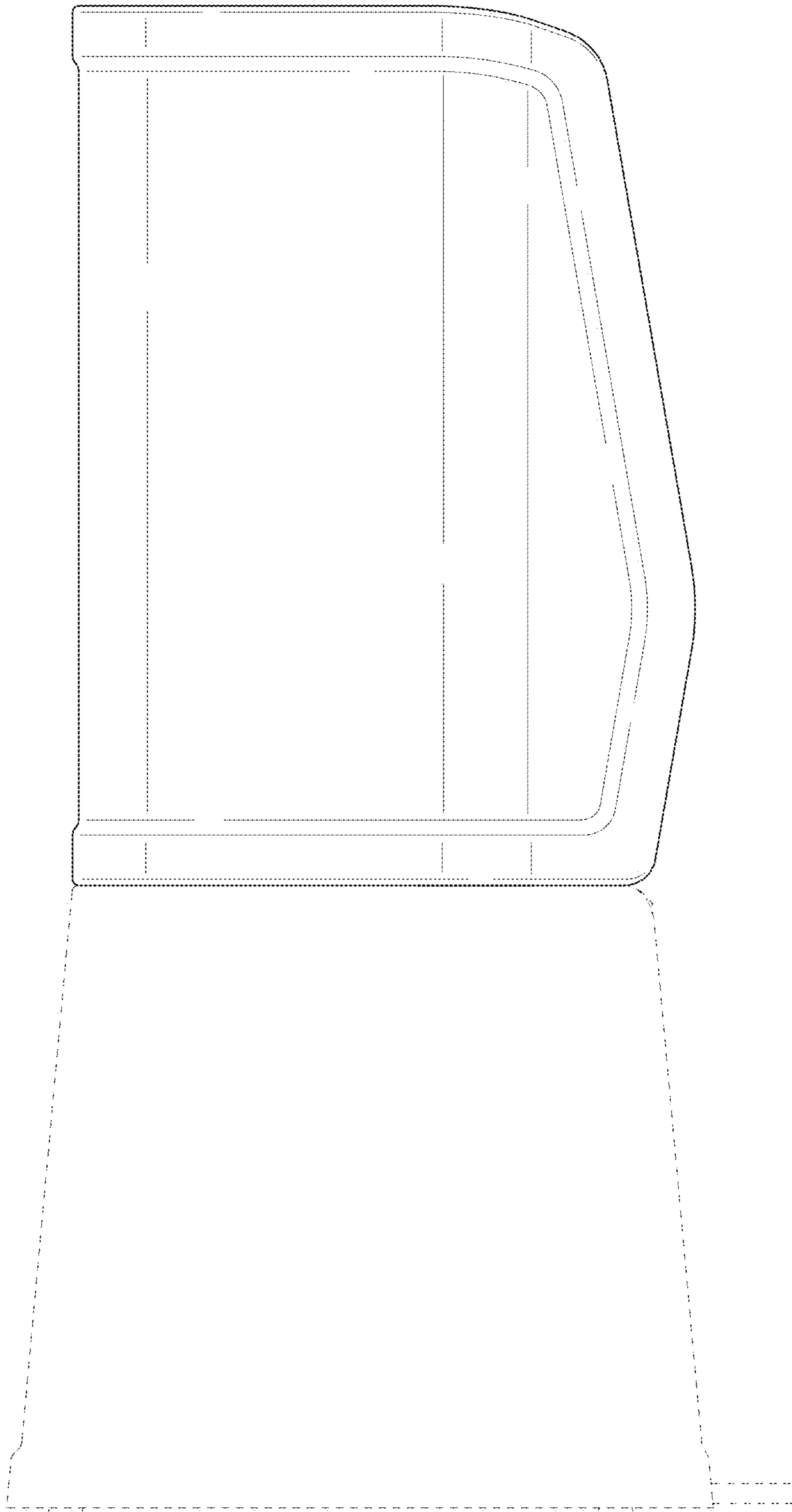


FIG. 5

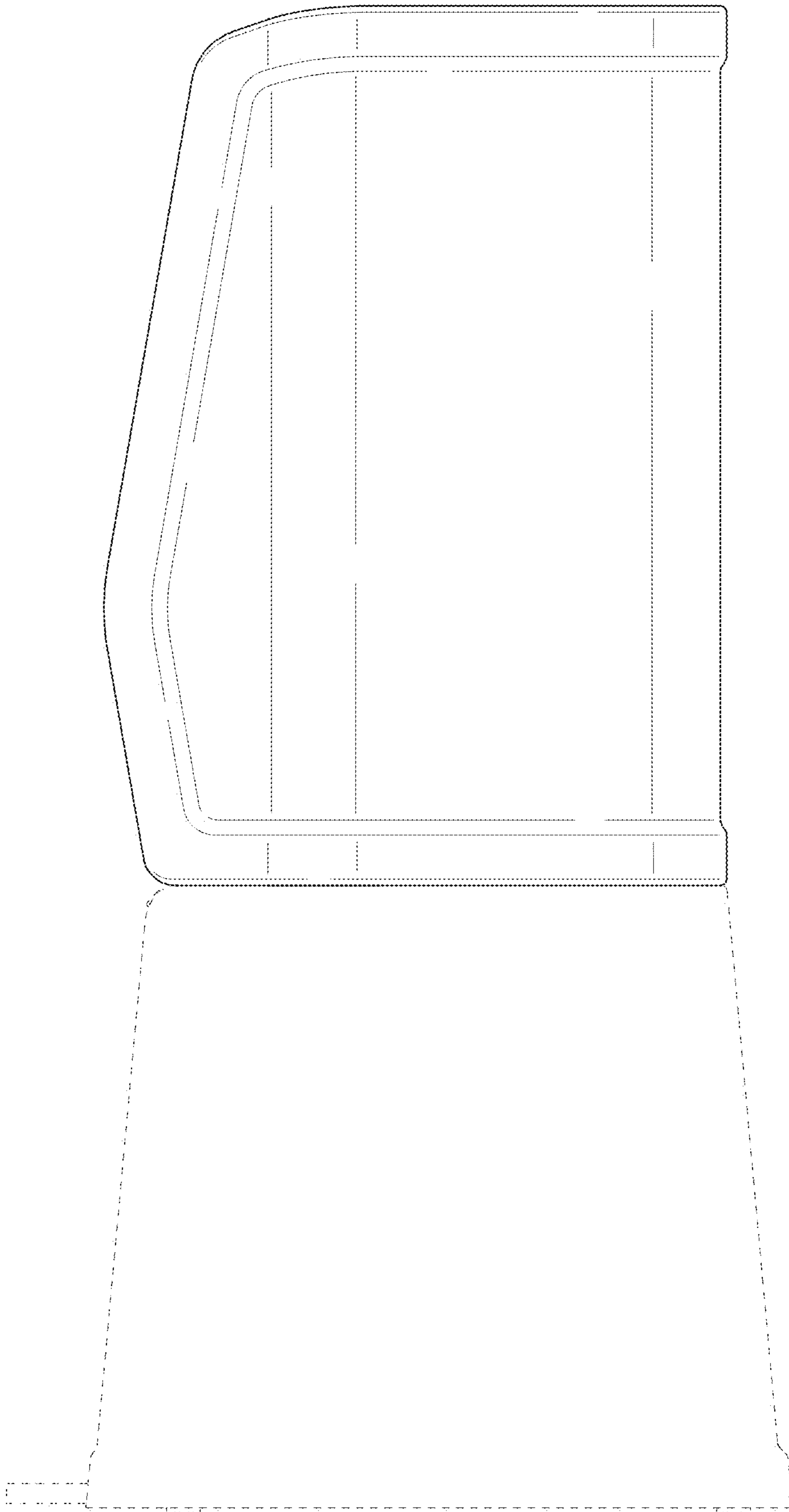


FIG. 6

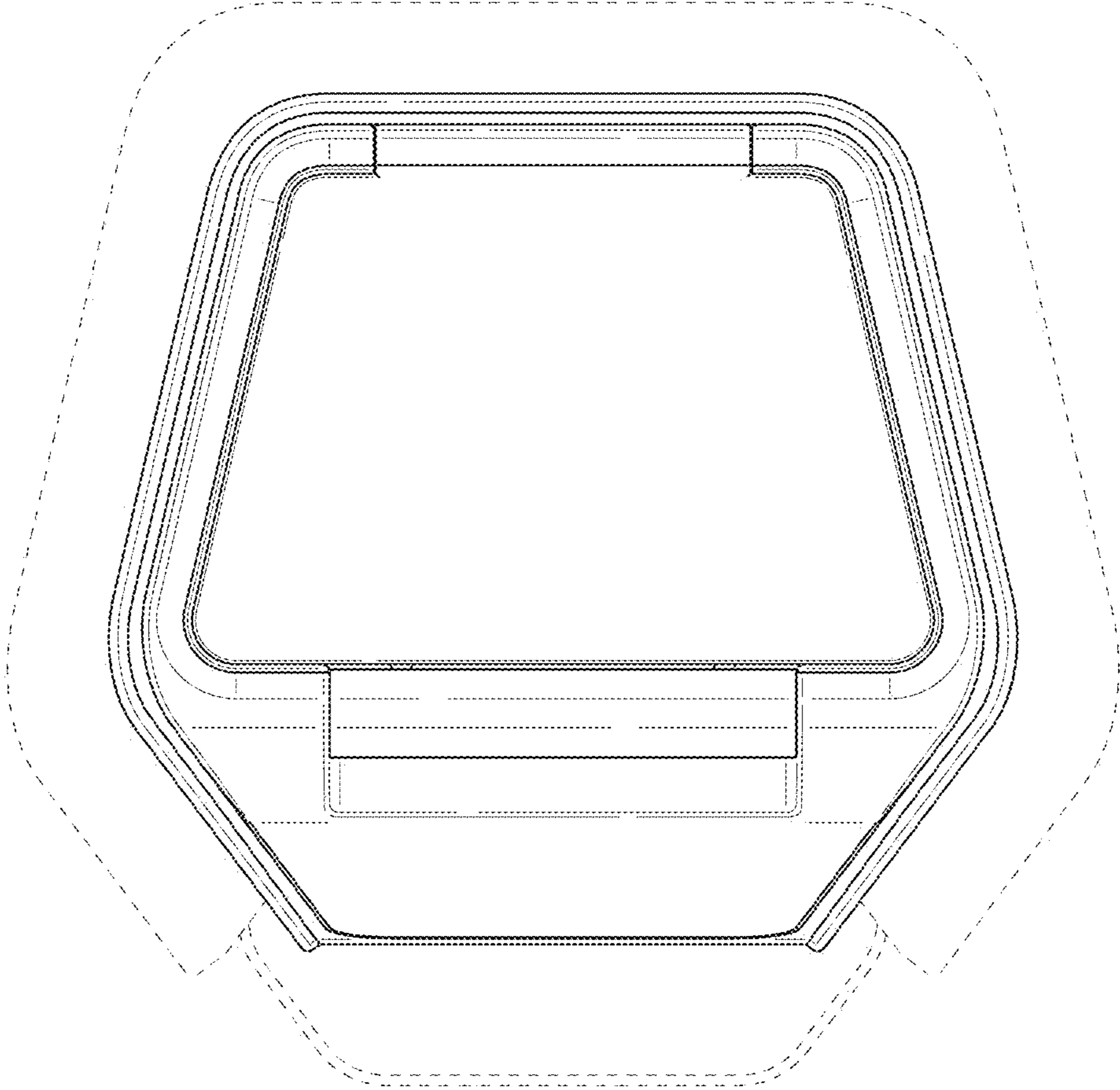


FIG. 7

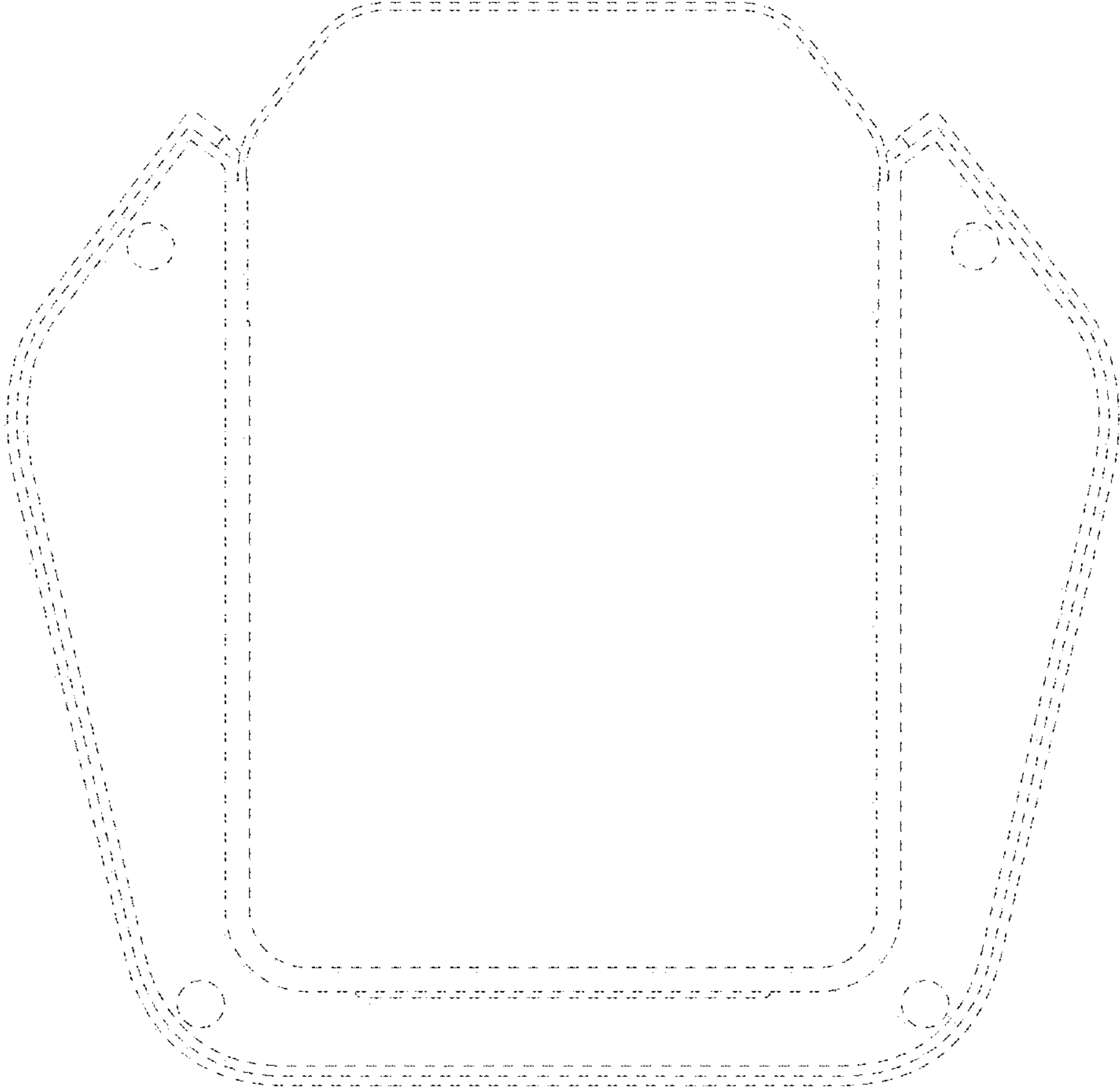


FIG. 8