



US0D1036789S

(12) **United States Design Patent**
Harper et al.

(10) **Patent No.: US D1,036,789 S**
(45) **Date of Patent: ** Jul. 23, 2024**

(54) **FEEDER**

(71) Applicant: **Doskocil Manufacturing Company, Inc.**, Arlington, TX (US)

(72) Inventors: **Michael Harper**, Fort Worth, TX (US);
Ryan Paxson, Elk Rapids, MI (US);
David Veness, Fort Worth, TX (US)

(73) Assignee: **PLUTO OPCO (CAYMAN), LLC**, Grand Cayman (KY)

(**) Term: **15 Years**

(21) Appl. No.: **29/831,543**

(22) Filed: **Mar. 21, 2022**

(51) **LOC (14) Cl.** **30-07**

(52) **U.S. Cl.**
USPC **D30/122**

(58) **Field of Classification Search**
USPC D30/121, 122, 129-133, 120; 119/61.5, 119/51.01, 61.56, 51.03, 59, 62, 63, 51.5, 119/57.8, 74, 61.54, 61.55, 53, 53.5, 75, 119/56.2, 51.02, 51.11, 51.12, 57.1, 52.1, 119/515; 312/204; 248/151, 188; 108/156, 153.1-157; 220/23.87, 630, 220/737, 743, 9.4, 495.01, 574, 212, 255, 220/23.83; 206/515; D7/586, 543, D7/550.1, 587, 505, 584, 545, 500, D7/553.1-553.8, 546, 555, 556, 504, 565, D7/562, 602, 605, 312, 313, 320, 307, D7/306, 309, 354, 311, 399, 397, 323, D7/332, 331, 347, 346, 322, 318, 317, D7/316, 619.1; D9/429; 43/109; D22/122; 99/430, DIG. 15, 280, 285, 99/312; 222/209, 131, 363, 349, 517, 222/153.13, 401, 1, 146.5, 23, 54, 64, 51, 222/156, 399, 400.8; 219/438, 439, 441, 219/385, 386, 402, 407; 210/94, 184, 210/474, 477

CPC A01K 5/02; A01K 5/0225; A01K 5/0114; A01K 5/025; A01K 5/0266; A01K 5/0275; A01K 5/0283; A01K 5/0291;

A01K 5/0258; A01K 5/0142; A01K 5/0233; A01K 29/00; A01K 7/00; A01K 7/02-06; G01F 11/24; G01F 23/02; B67D 1/0425; B67D 1/04; B67D 1/00; B67D 1/02; B67D 1/0871; B67D 1/0802; A47J 41/0033; A47J 41/005; A47J 41/0088; A47J 41/0094; A47J 31/04; A47J 31/053; B05B 11/00; B05B 11/0002; B05B 11/0005; B05B 11/001; C02F 1/003; C02F 1/283; C02F 2307/02

See application file for complete search history.

(56) **References Cited**

U.S. PATENT DOCUMENTS

D330,098 S * 10/1992 VanSkiver D30/132
D364,942 S * 12/1995 VanSkiver D30/132
8,166,922 B2 * 5/2012 Jalbert A01K 11/006
119/59

(Continued)

Primary Examiner — Susan Moon Lee
(74) *Attorney, Agent, or Firm* — GLOBAL IP COUNSELORS, LLP

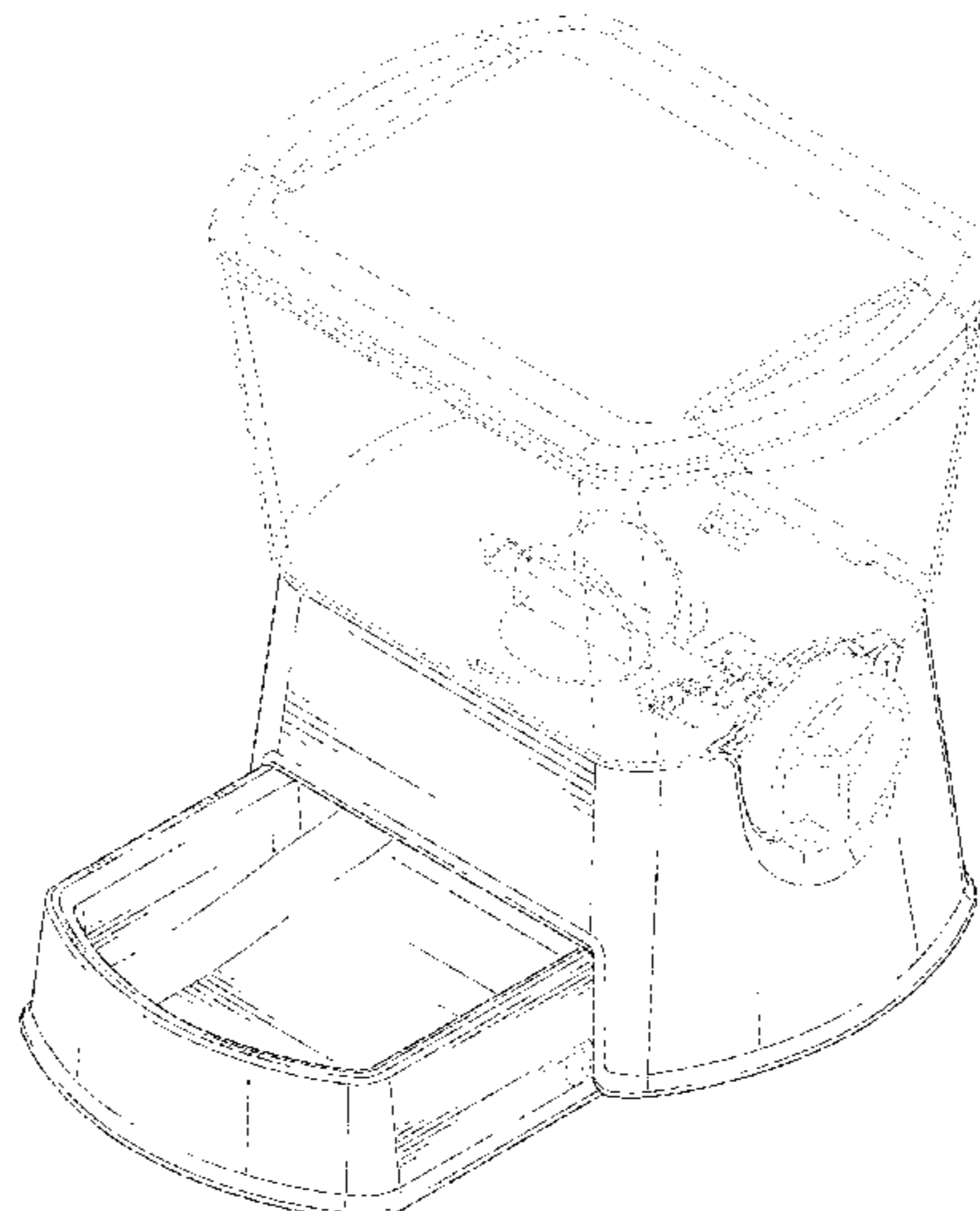
(57) **CLAIM**

The ornamental design for a feeder, as shown and described.

DESCRIPTION

FIG. 1 is a top perspective view of a feeder in accordance with our new design;
FIG. 2 is a side view thereof;
FIG. 3 is another side view thereof;
FIG. 4 is a front view thereof;
FIG. 5 is a back view thereof;
FIG. 6 is a top view thereof; and,
FIG. 7 is a bottom view thereof.
The broken lines in the drawings illustrate portions of the feeder that form no part of the claimed design.

1 Claim, 7 Drawing Sheets



(56)

References Cited

U.S. PATENT DOCUMENTS

8,701,595 B2 * 4/2014 Jin A01K 5/0291
119/51.01
D806,958 S * 1/2018 Maloney D30/122
D836,850 S * 12/2018 Li D30/122
D940,404 S * 1/2022 Dong D30/122
D963,256 S * 9/2022 Lin D30/122
2013/0233248 A1 * 9/2013 Veness A01K 5/0114
119/52.1
2013/0333622 A1 * 12/2013 Jin A01K 5/0291
119/51.01
2015/0145644 A1 * 5/2015 Jalbert A01K 5/02
340/5.61
2016/0286755 A1 * 10/2016 Feng A01K 5/0283

* cited by examiner

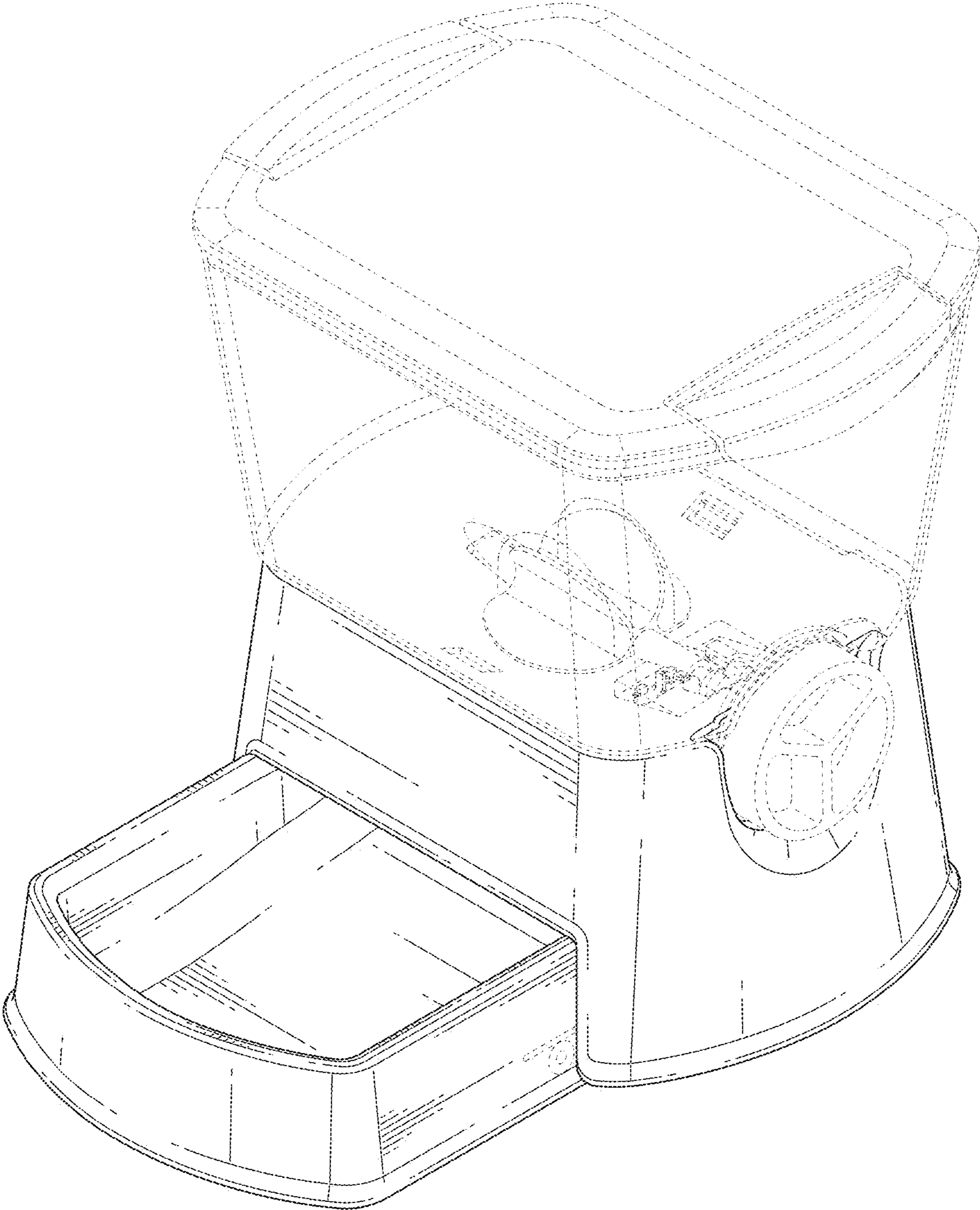


FIG. 1

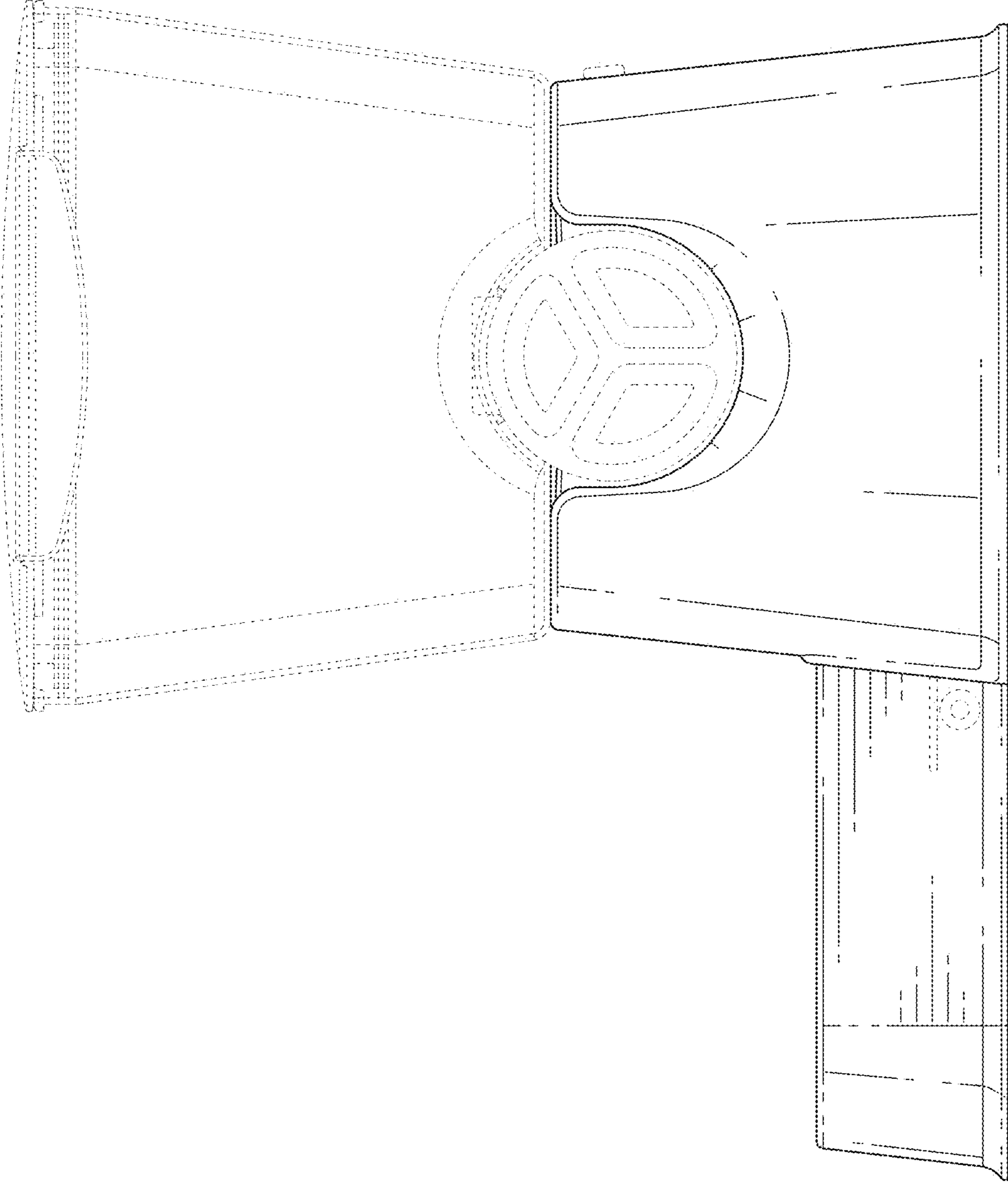


FIG. 2

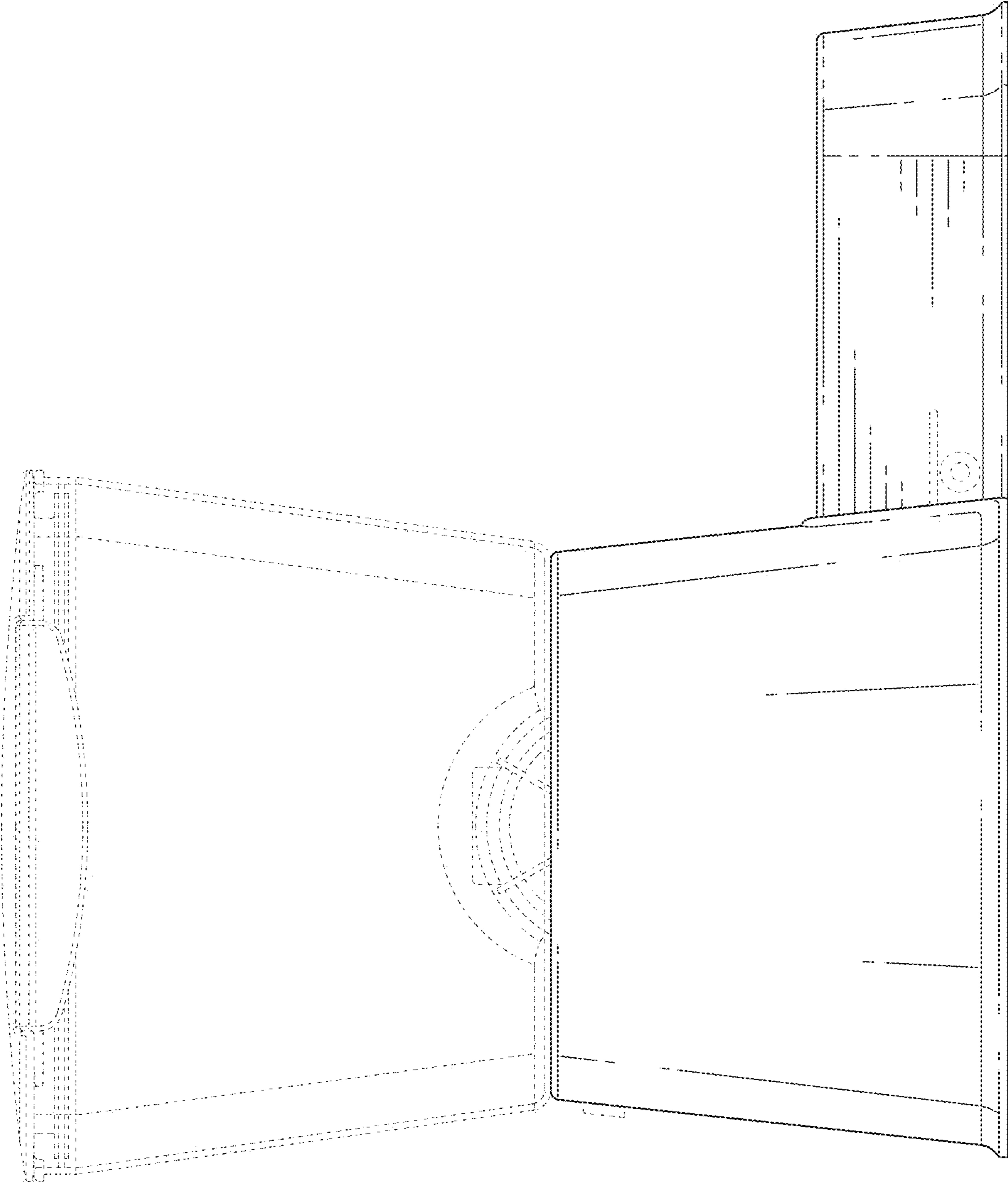


FIG. 3

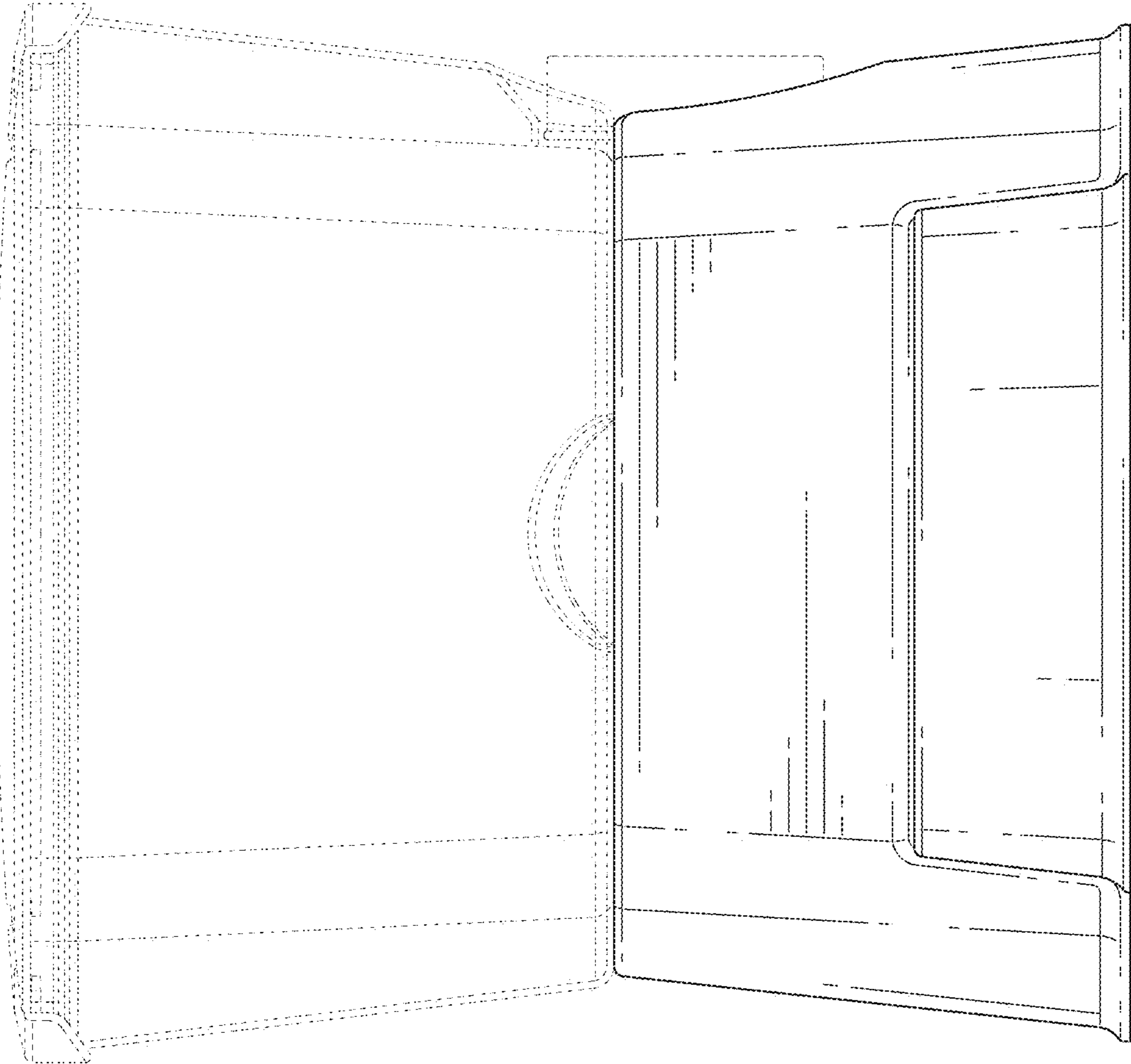


FIG. 4

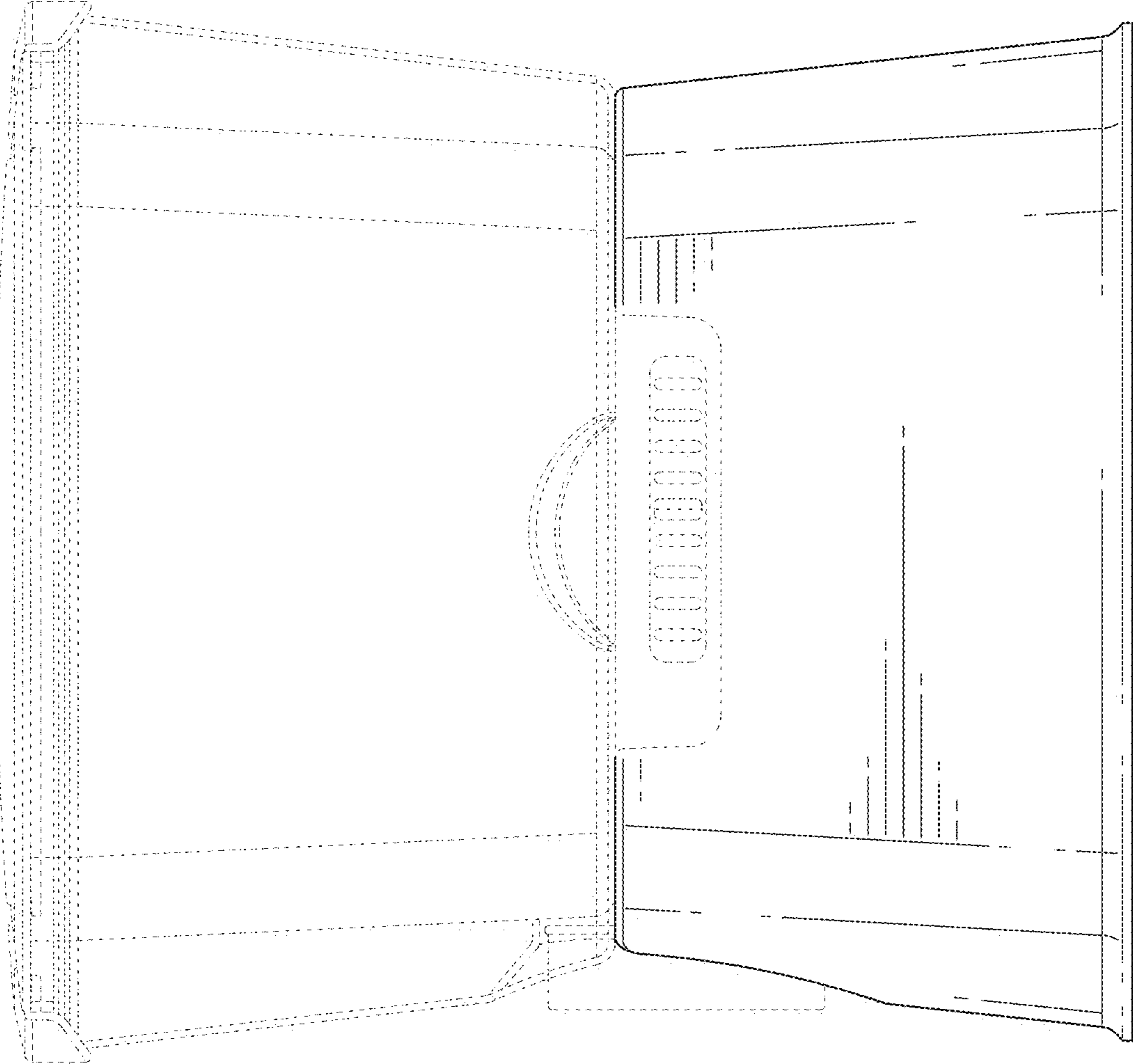


FIG. 5

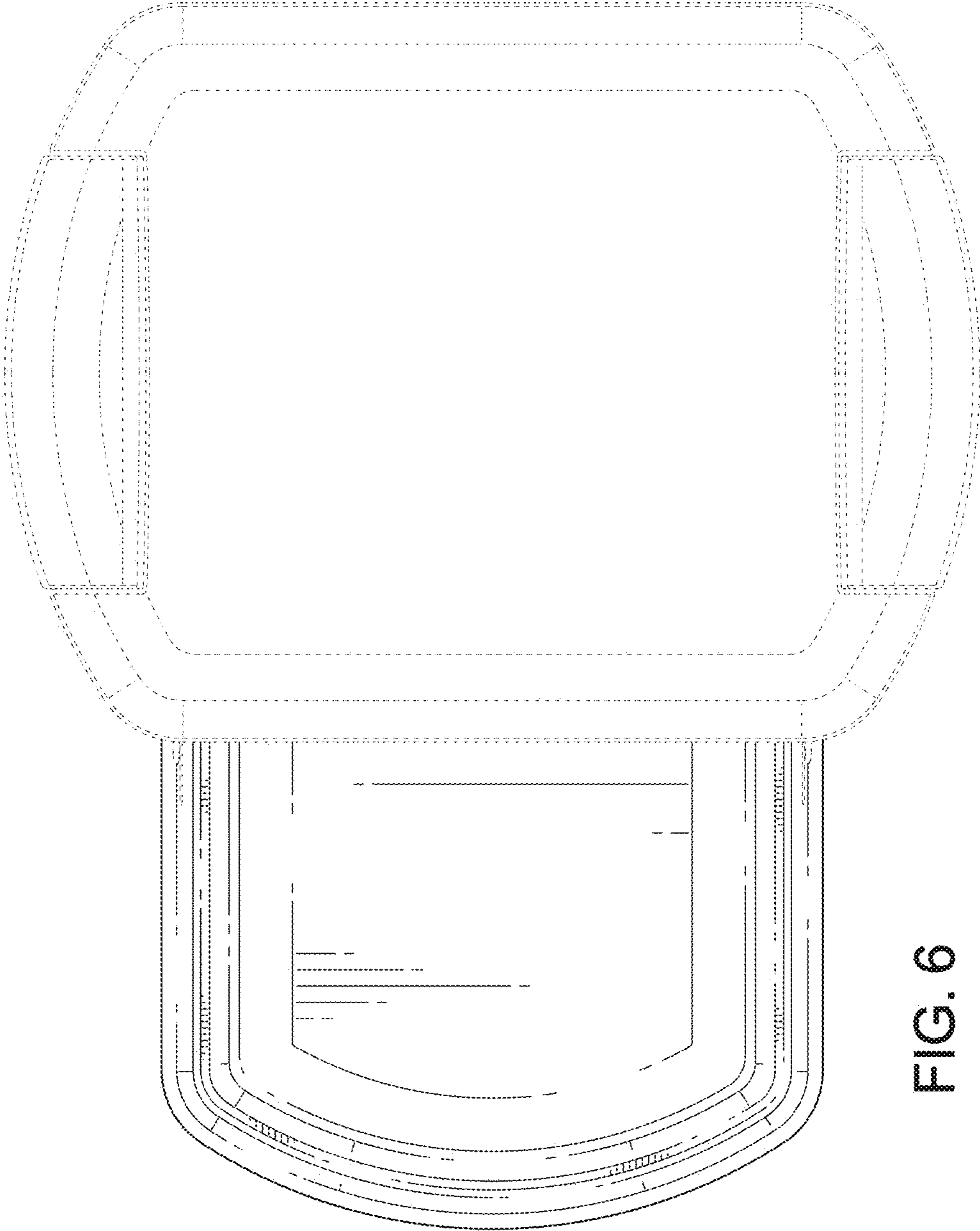


FIG. 6

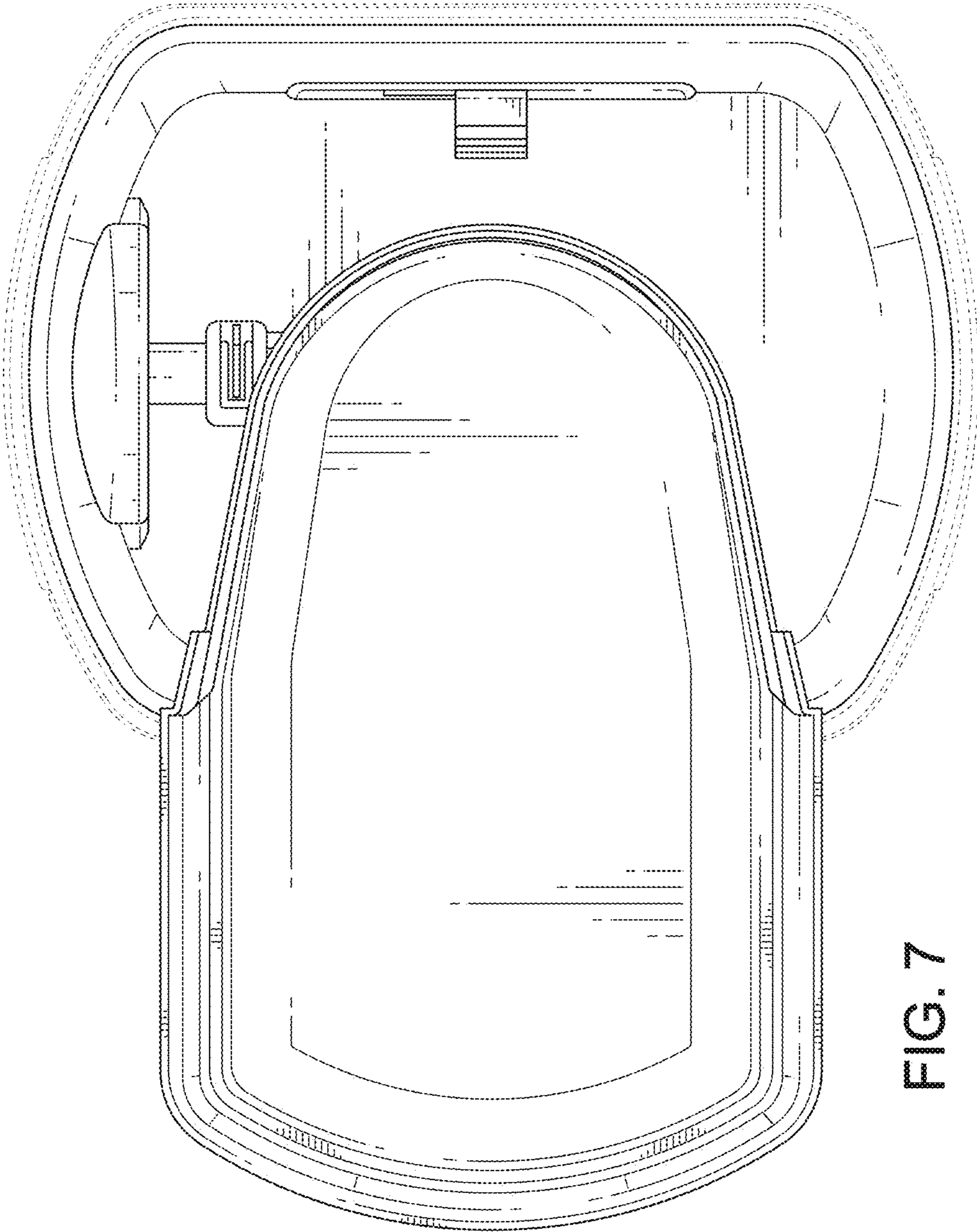


FIG. 7