



US0D1036760S

(12) **United States Design Patent** (10) **Patent No.:** **US D1,036,760 S**
Kennedy (45) **Date of Patent:** **** Jul. 23, 2024**

(54) **LIGHT STAKE**

(71) Applicant: **Canny Systems, LLC**, Mansfield, TX (US)

(72) Inventor: **Stacy L. Kennedy**, Mansfield, TX (US)

(73) Assignee: **Canny System, LLC**, Mansfield, TX (US)

(**) Term: **15 Years**

(21) Appl. No.: **29/791,567**

(22) Filed: **Jan. 18, 2022**

(51) **LOC (14) Cl.** **26-05**

(52) **U.S. Cl.**
USPC **D26/142**

(58) **Field of Classification Search**
USPC D26/67, 138, 142, 153; D8/356, 395, D8/396; D21/840
CPC F21S 4/10; F21S 9/00; F21S 9/03; F21S 9/035; F21S 9/037; F21V 21/08; F21V 21/088; F21V 21/0824; F21W 2131/109
See application file for complete search history.

(56) **References Cited**

U.S. PATENT DOCUMENTS

891,448	A *	6/1908	Sinder	E02D 5/801
					52/165
3,255,565	A *	6/1966	Menzel	E04C 5/206
					52/678
D365,169	S *	12/1995	Fillipp	D21/718
5,562,269	A *	10/1996	Protz, Jr.	F21V 19/0005
					248/205.5

(Continued)

FOREIGN PATENT DOCUMENTS

HK	1100285-0001	*	6/2011
JP	D1725151	*	9/2022
JP	D1755126	*	10/2023

OTHER PUBLICATIONS

“Canny Systems—11" Ground Stake”, available in christmasdesigners.com, first available online Sep. 29, 2022 (per Wayback Machine),

site visited Feb. 26, 2024, Internet URL: <https://web.archive.org/web/20220929204722/https://www.christmasdesigners.com/canny-systems-11-ground-stake-bag-of-25.html> (Year: 2022).*

(Continued)

Primary Examiner — Richard Kearney

Assistant Examiner — Anthony Vincent Rotolo

(74) *Attorney, Agent, or Firm* — Ice Miller LLP; Justin D. Swindells

(57) **CLAIM**

I claim the ornamental design for a “light stake,” as shown and described.

DESCRIPTION

FIG. 1 is a front perspective view of a light stake according to the claimed design.

FIG. 2 is a back perspective view of the light stake shown in FIG. 1.

FIG. 3 is front view of the light stake shown in FIG. 1.

FIG. 4 is a back view of the light stake shown in FIG. 1.

FIG. 5 is a left view of the light stake shown in FIG. 1.

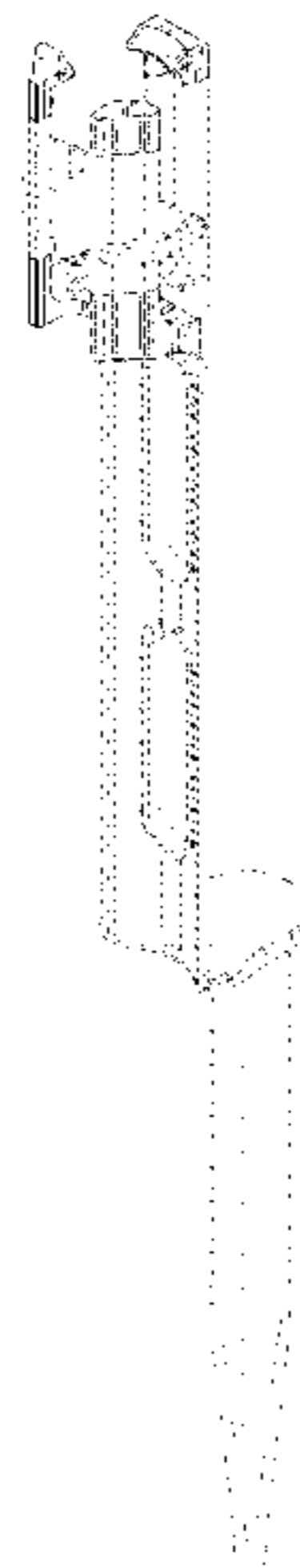
FIG. 6 is a right view of the light stake shown in FIG. 1.

FIG. 7 is a top view of the light stake shown in FIG. 1; and,

FIG. 8 is a bottom view of the light stake shown in FIG. 1.

The broken lines shown in dash-dash form are dashed lines that show portions of the article and form no part of the claimed design. The broken lines shown in dot-dash form are boundary lines that do not exist in reality in the light stake embodying the design and show bounds of the claimed design. It is understood that the claimed design extends to the boundary lines, but does not include the boundary lines.

1 Claim, 7 Drawing Sheets



(56)

References Cited

U.S. PATENT DOCUMENTS

5,570,952 A * 11/1996 Protz, Jr. F21V 21/116
248/74.1
6,040,514 A * 3/2000 Liao G10D 13/28
84/421
D570,675 S * 6/2008 Snider D23/209
D710,677 S * 8/2014 Frandsen D8/356
D939,335 S * 12/2021 Kennedy D8/395
D957,929 S * 7/2022 Kennedy D8/395
2018/0112855 A1 * 4/2018 Adams, IV F21V 17/164
2023/0167969 A1 * 6/2023 Kennedy F21S 4/10
362/396
2023/0366528 A1 * 11/2023 Nichols F21V 31/005

OTHER PUBLICATIONS

“100-Pack Plastic Light Stakes, 4.5 Inch”, available in Amazon.com, first available online Unknown, site visited Feb. 26, 2024, Internet URL: https://www.amazon.com/dp/B0817RF7V9?ref_=cm_sw_r_cp_ud_dp_1AHDKDAJX229ZM2GG3YF&th=1 (Year: 2024).* Canny Systems, LLC, Light Stake as advertised on Jul. 10, 2018 (1 page).

* cited by examiner

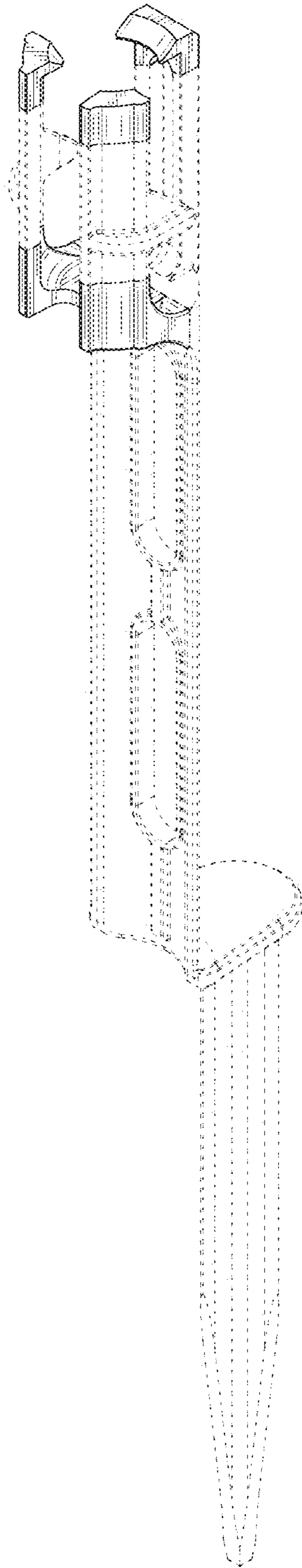


FIG. 1

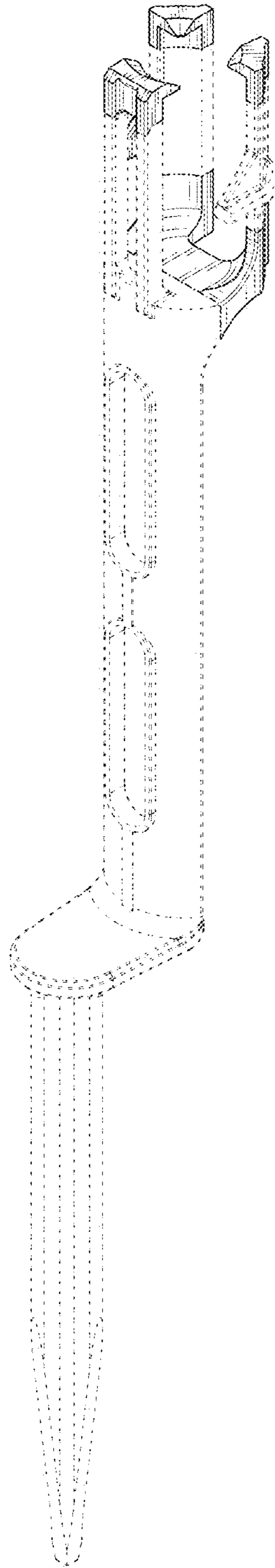


FIG. 2

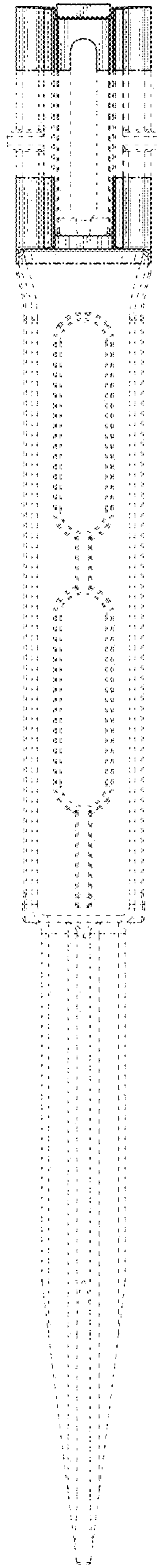


FIG. 3

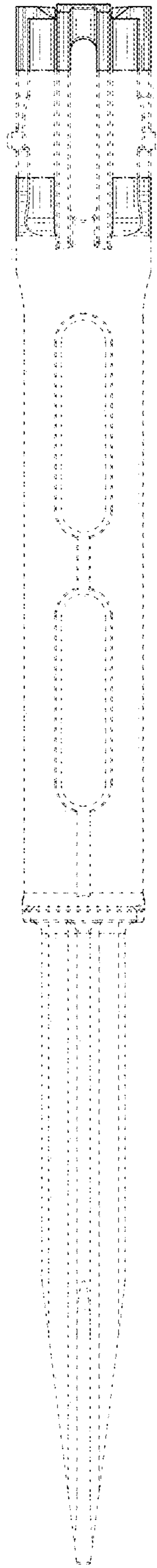


FIG. 4

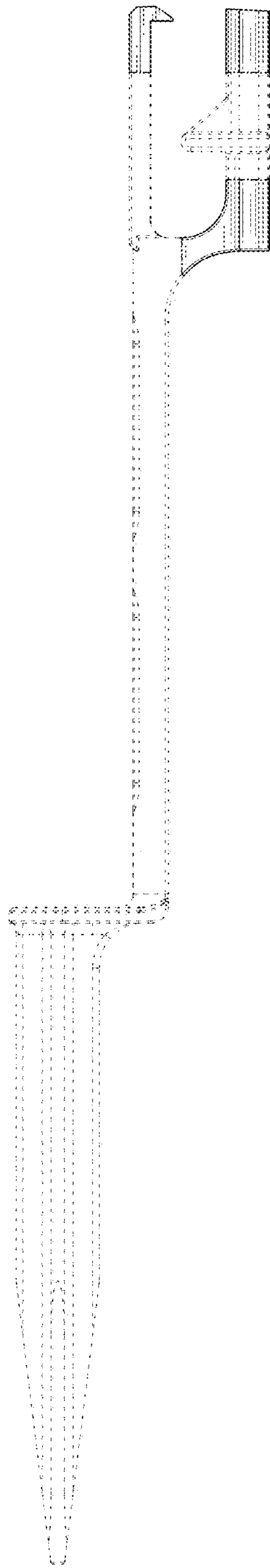


FIG. 5

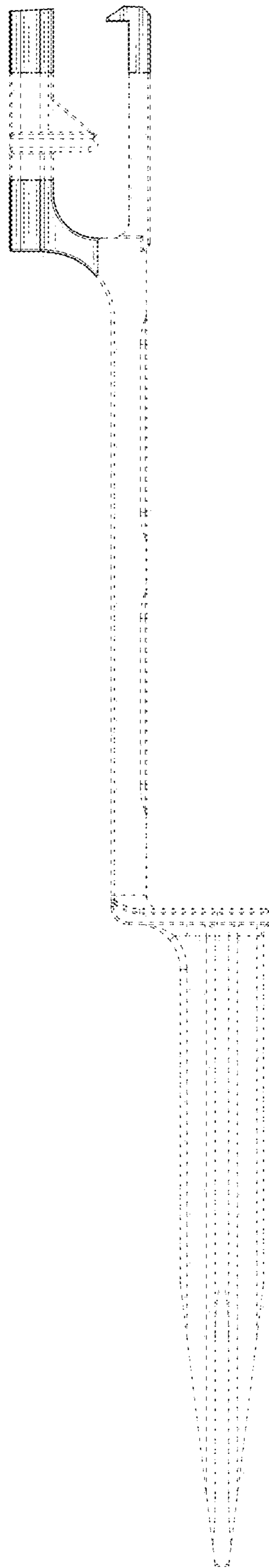


FIG. 6

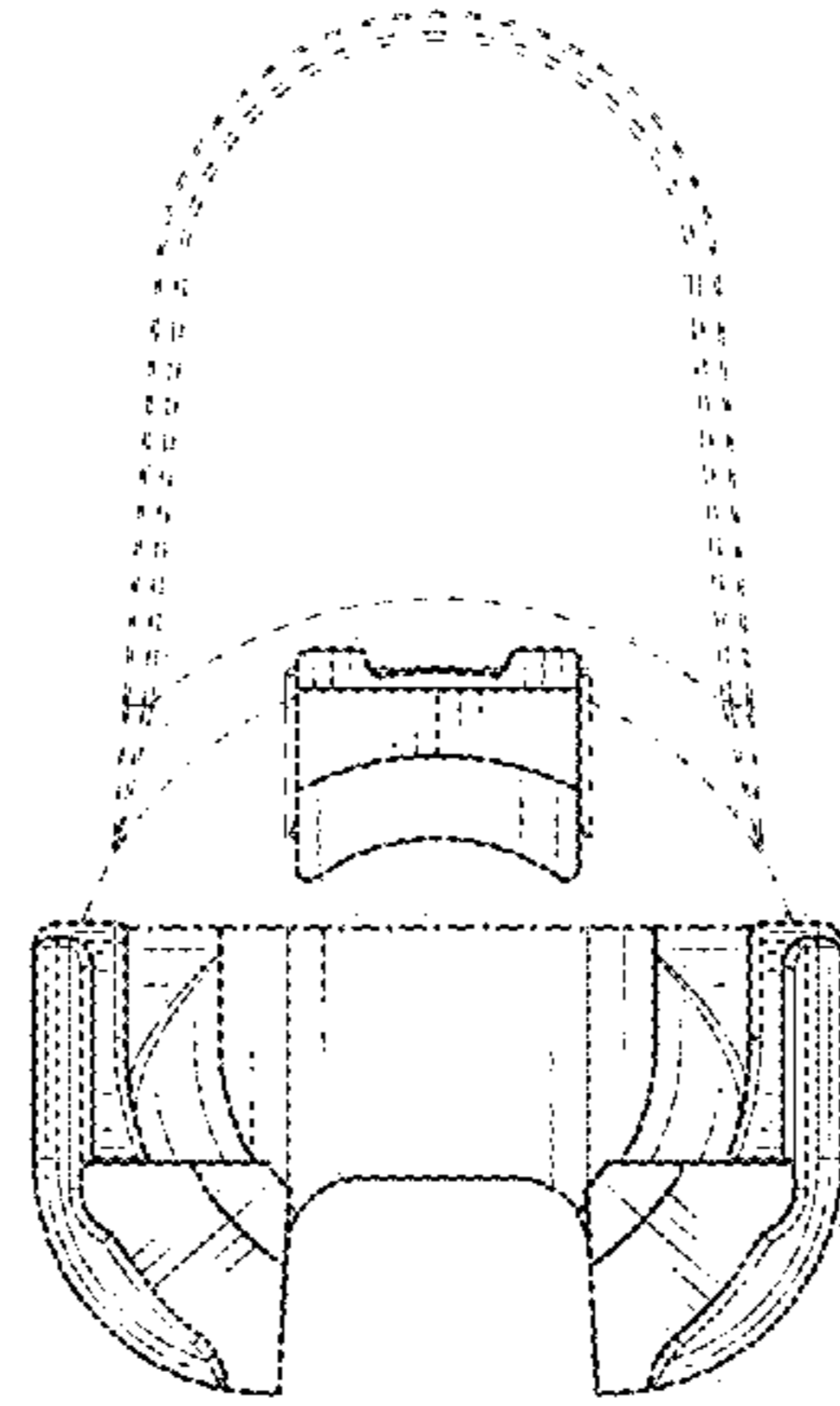


FIG. 7

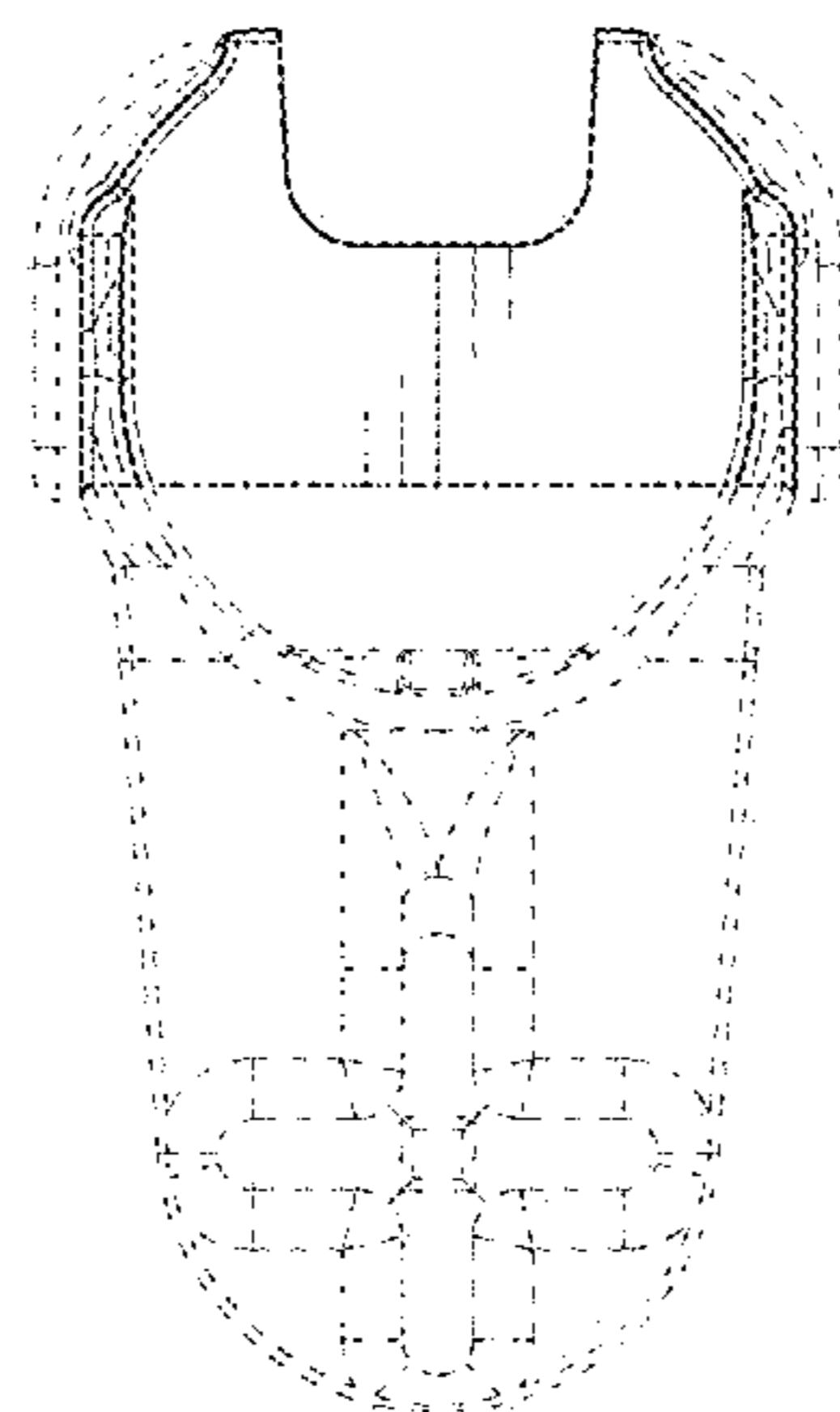


FIG. 8