



US0D1036578S

(12) **United States Design Patent** (10) **Patent No.:** **US D1,036,578 S**
Booker (45) **Date of Patent:** **** *Jul. 23, 2024**

(54) **KETTLEBELL**

FOREIGN PATENT DOCUMENTS

(71) Applicant: **Toussaint Orfeu Booker**, Sylmar, CA (US)

CN 202859996 U 4/2013

(72) Inventor: **Toussaint Orfeu Booker**, Sylmar, CA (US)

OTHER PUBLICATIONS

(*) Notice: This patent is subject to a terminal disclaimer.

Athlyt Cast Iron Kettlebell. Online, published date Jul. 13, 2019. Retrieved on Mar. 15, 2023 from URL: <https://www.amazon.com/Athlyt-Unisexs-Kettlebell-Kettle-Black/dp/B07HFDL46M/>.*

(Continued)

(**) Term: **15 Years**

Primary Examiner — Richard A Edgar
Assistant Examiner — David Truong

(21) Appl. No.: **29/802,942**

(57) **CLAIM**

(22) Filed: **Aug. 9, 2021**

The ornamental design for a kettlebell, as shown and described.

(51) **LOC (14) Cl.** **21-02**

(52) **U.S. Cl.**
USPC **D21/680**

DESCRIPTION

(58) **Field of Classification Search**

USPC D21/457, 488, 662, 678–682, 684;
D3/201, 232, 234, 238–240; D9/516,
D9/519, 522, 529, 531, 537; D11/1, 40,
D11/44

CPC A63B 21/072; A63B 23/12; A63B 21/06;
A63B 21/0601; A63B 21/075; A63B
23/1236; A63B 21/00094

See application file for complete search history.

FIG. 1 is a top front perspective view of a kettlebell showing my new design;
FIG. 2 is a bottom rear perspective view thereof;
FIG. 3 is a front elevational view thereof;
FIG. 4 is a back elevational view thereof;
FIG. 5 is a left elevational view thereof;
FIG. 6 is a right elevational view thereof;
FIG. 7 is a top plan view thereof;
FIG. 8 is a bottom plan view thereof;
FIG. 9 is a top front perspective view thereof, showing the kettlebell with attachments;
FIG. 10 is a bottom rear right perspective view thereof, showing the kettlebell with attachments; and,
FIG. 11 is a bottom rear left perspective view thereof, showing the kettlebell with attachments.

(56) **References Cited**

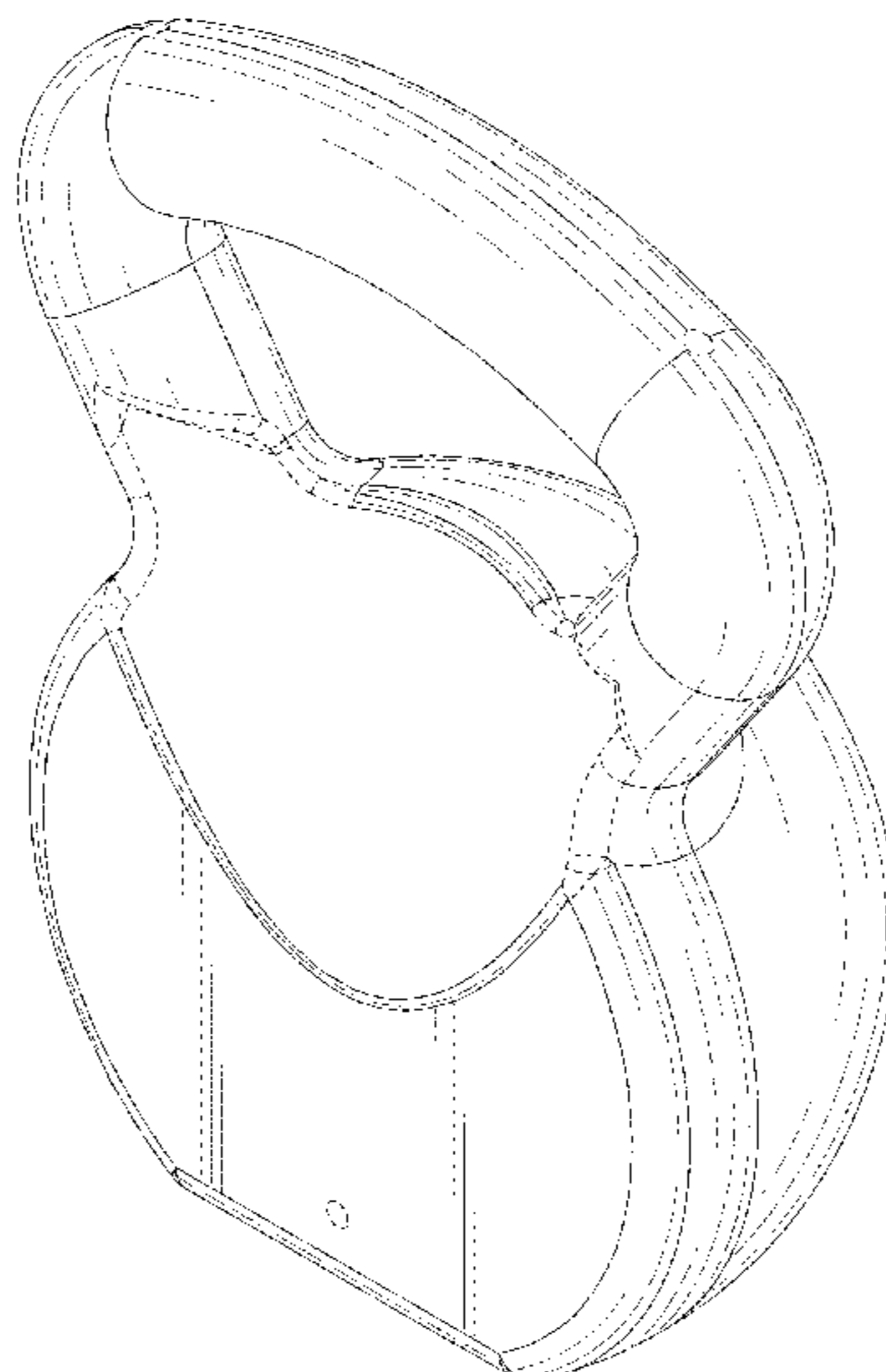
U.S. PATENT DOCUMENTS

D522,594 S *	6/2006	Donahue	D21/682
D522,595 S *	6/2006	Donahue	D21/682
D616,949 S *	6/2010	Wang	D21/682
7,976,443 B2	7/2011	Krull		
D654,971 S *	2/2012	Januszek	D21/682
D692,509 S *	10/2013	Kessler	D21/682
D726,264 S *	4/2015	Agate	D21/682
D728,040 S *	4/2015	Peterson	D21/680
9,770,619 B1	9/2017	Bullock		
D799,975 S *	10/2017	Anvaripour	D9/535
9,844,695 B1	12/2017	Shorter		

(Continued)

The broken lines, the areas within them and the unshaded areas bounded by both broken lines and solid lines in FIGS. 1-3 and 5-8 depict portions of the kettlebell that form no part of the claimed design. The additional broken lines in FIGS. 9-11 depict environmental subject matter and form no part of the claimed design.

1 Claim, 11 Drawing Sheets



(56)

References Cited

U.S. PATENT DOCUMENTS

D811,019 S * 2/2018 Alton D21/681
D860,160 S * 9/2019 Wolman D14/215
D877,824 S * 3/2020 Chiang D21/680
D906,529 S * 12/2020 Metcalf D24/214
D918,318 S * 5/2021 Liu D21/682
D932,571 S * 10/2021 Wang D21/680
D942,559 S * 2/2022 Wang D21/680
D950,654 S * 5/2022 Wang D21/680
D955,507 S * 6/2022 Wang D21/680
D971,597 S * 12/2022 Bär D3/234
D975,513 S * 1/2023 Richardson D8/38
2004/0005970 A1 1/2004 Anderson
2004/0048724 A1 3/2004 Wang
2011/0306475 A1 12/2011 Caswell et al.
2013/0012367 A1 1/2013 Williams
2013/0085045 A1 4/2013 Chavez et al.
2013/0157815 A1 6/2013 Reynolds
2015/0231440 A1 8/2015 Nelson

OTHER PUBLICATIONS

Gofit Contoured Kettlebell. Online, published date Nov. 14, 2010.
Retrieved on Mar. 15, 2023 from URL: <https://www.amazon.com/Contoured-Single-Kettlebell-Training-GoFit/dp/B0044ROUME/>. *
GX3 FitCamp, <https://www.gx3fitcamp.com/gx3>.
GoFit Contour Kettlebell, https://www.scheels.com/p/gofit-contour-kettlebell/68733962100.html?utm_source=google&utm_medium=cpc&utm_campaign=unpaidlistings&src=google_shipping_50.

* cited by examiner

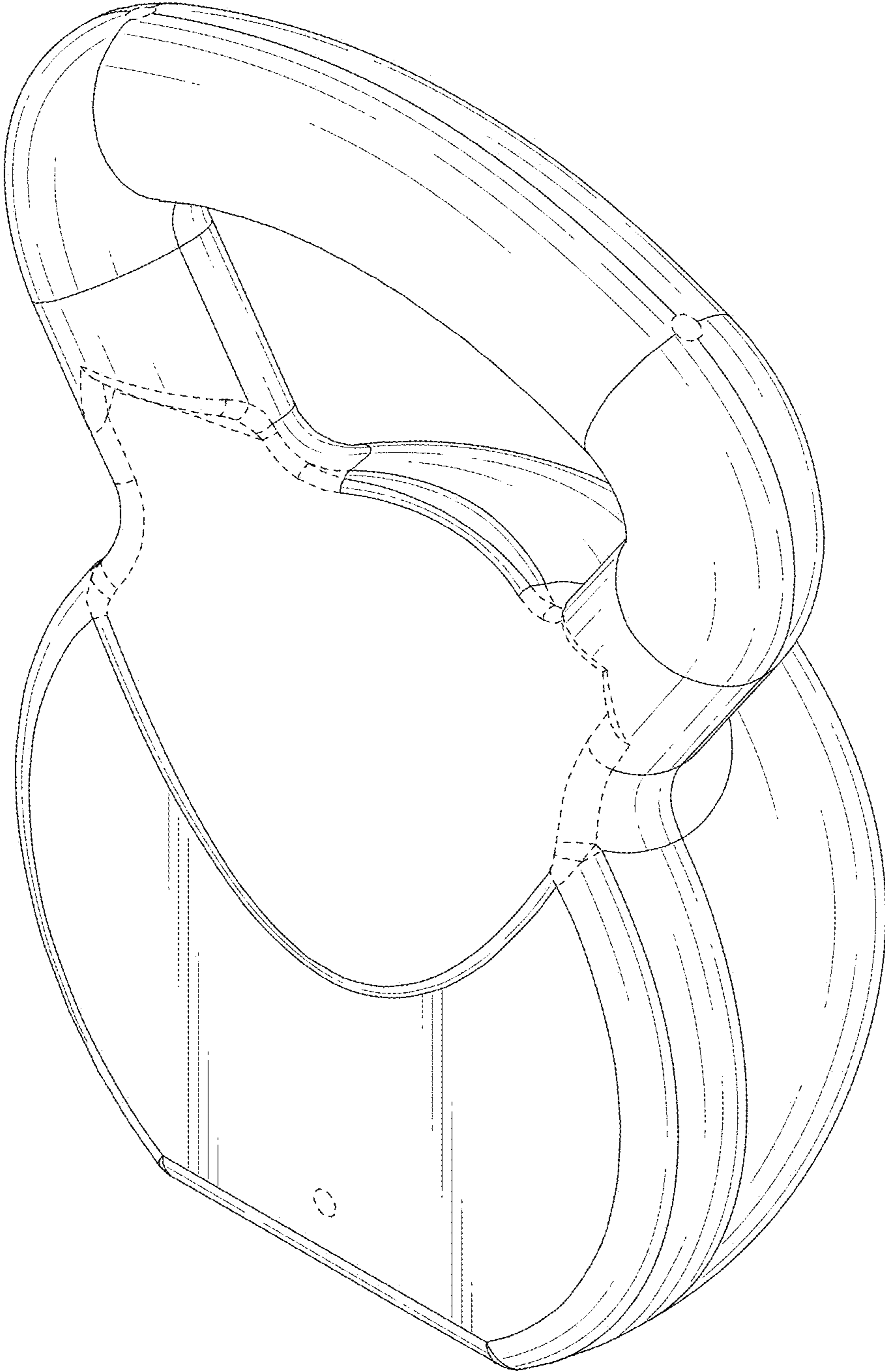


FIG. 1

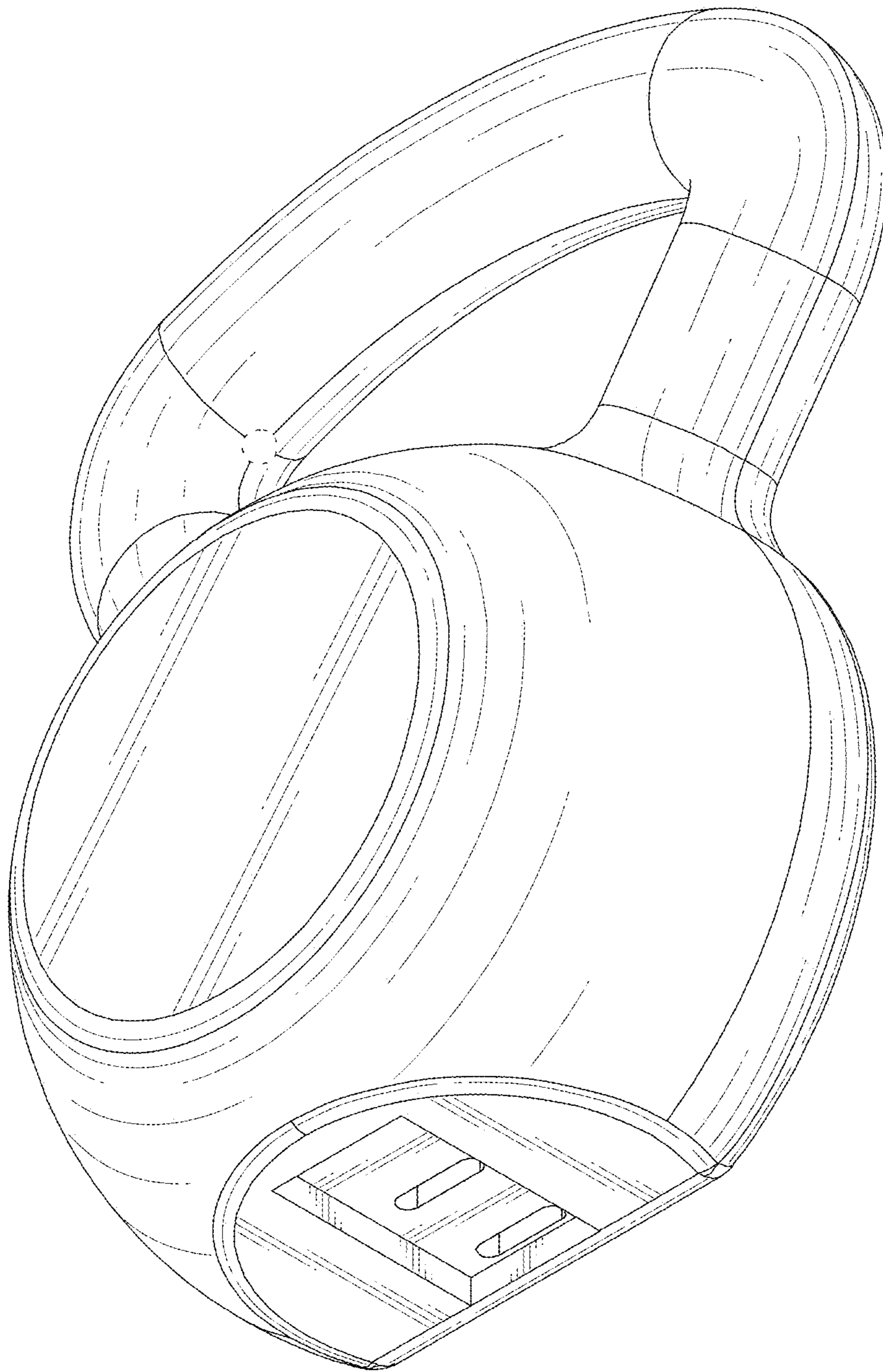


FIG. 2

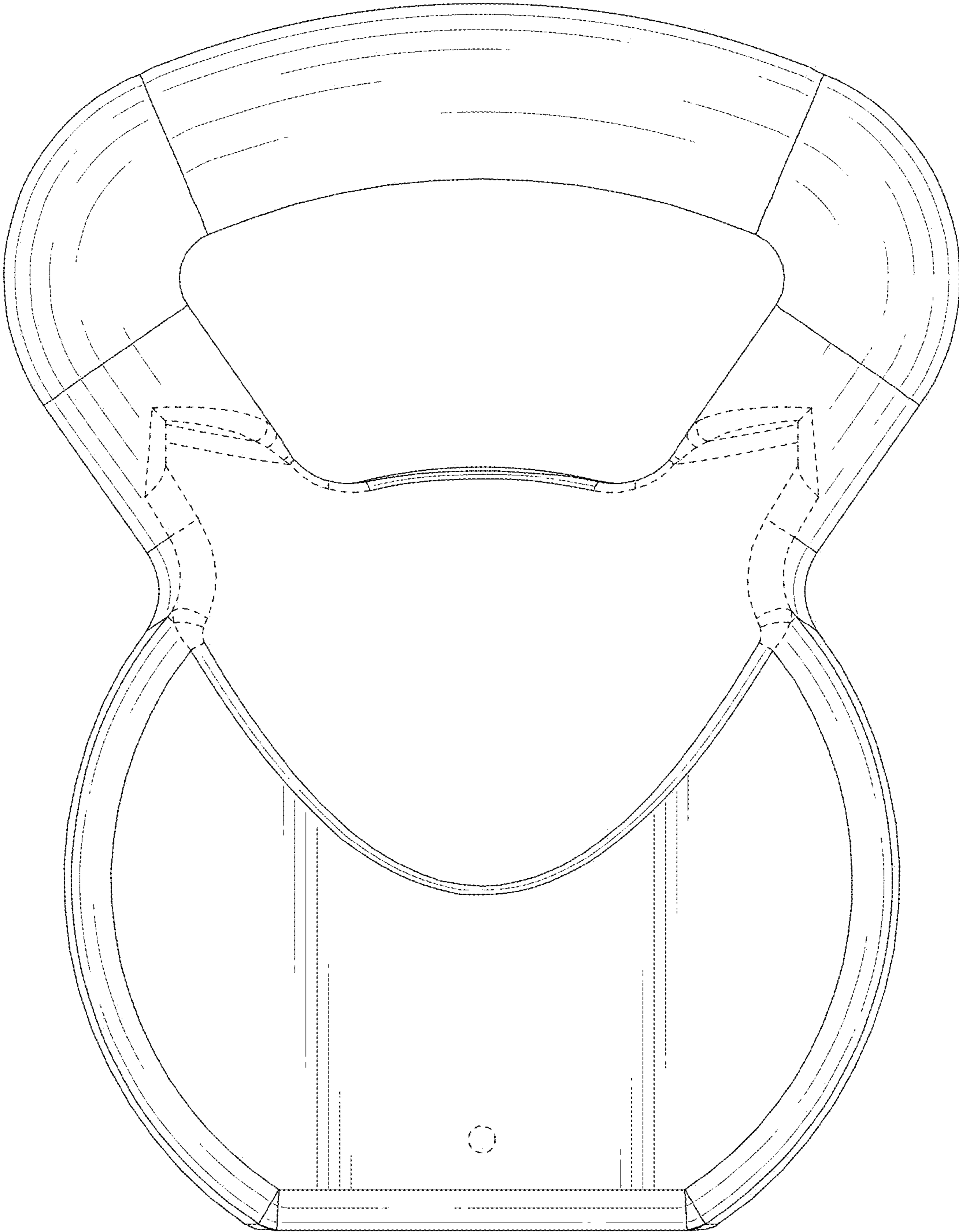


FIG. 3

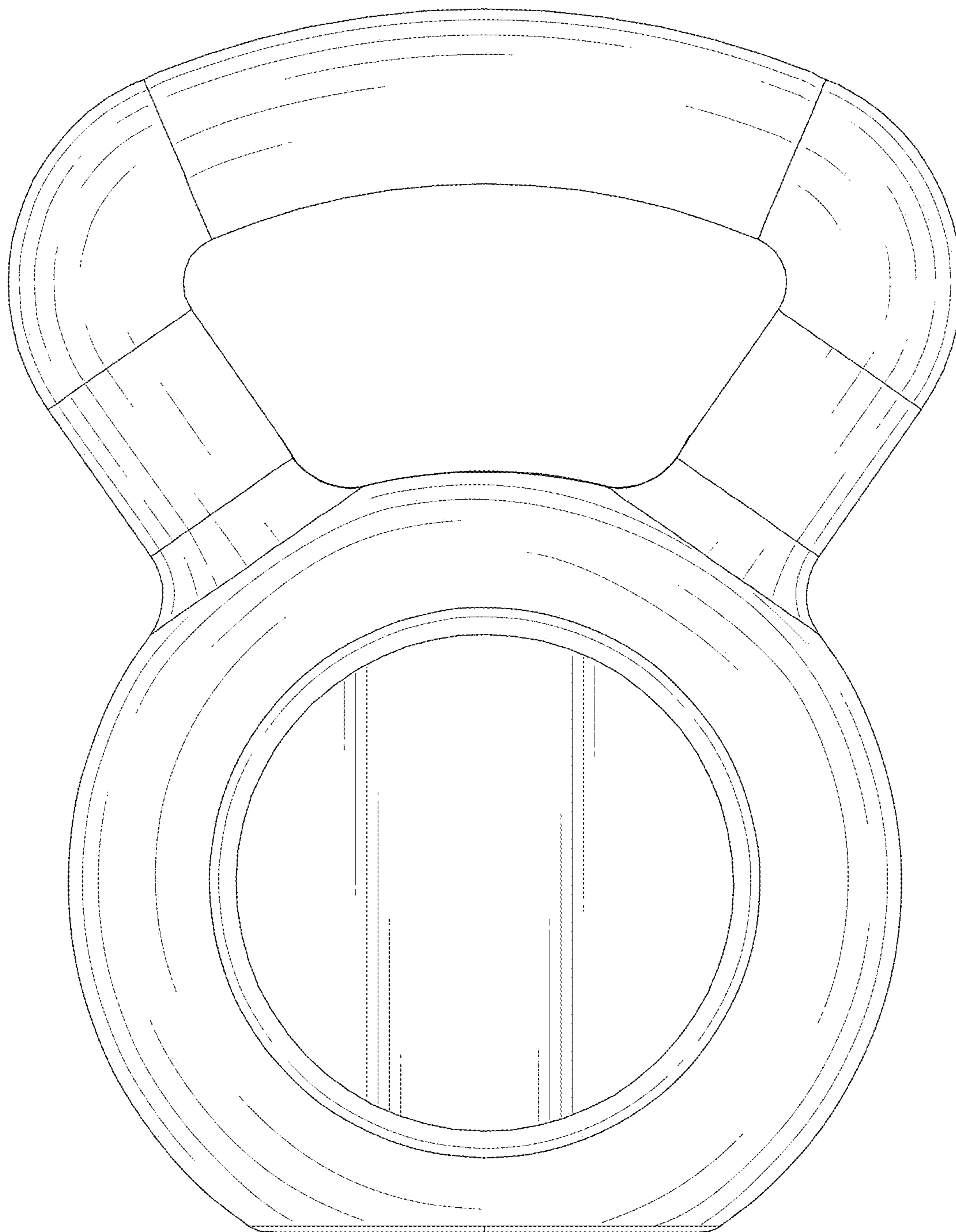


FIG. 4

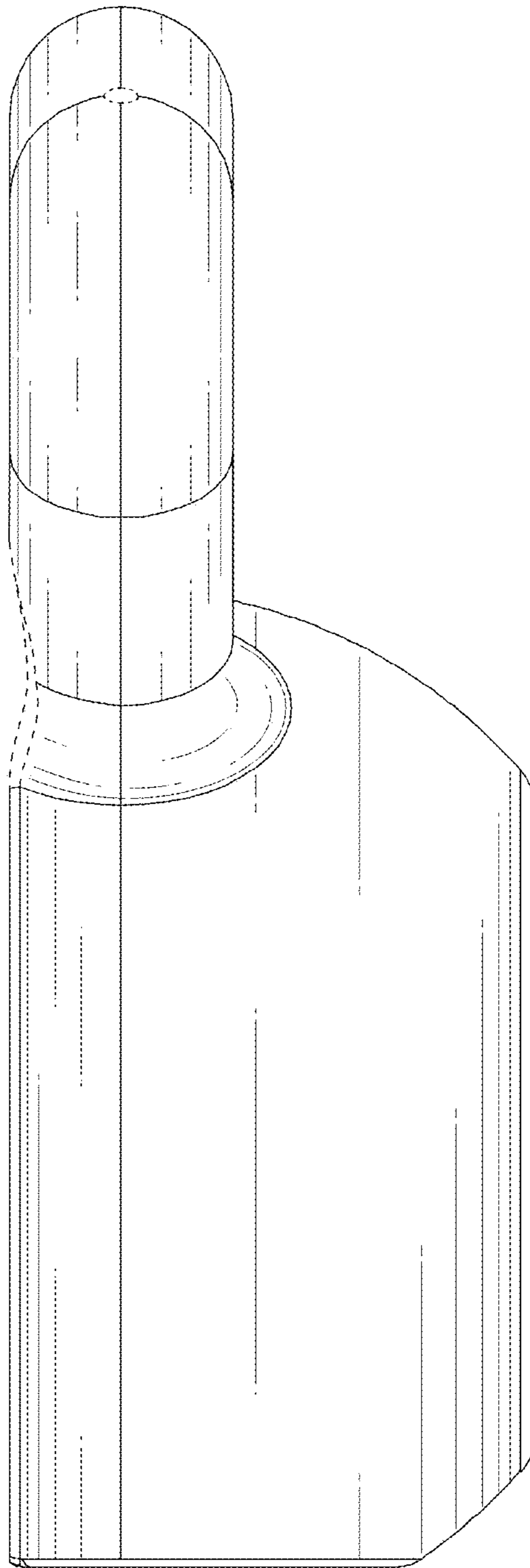


FIG. 5

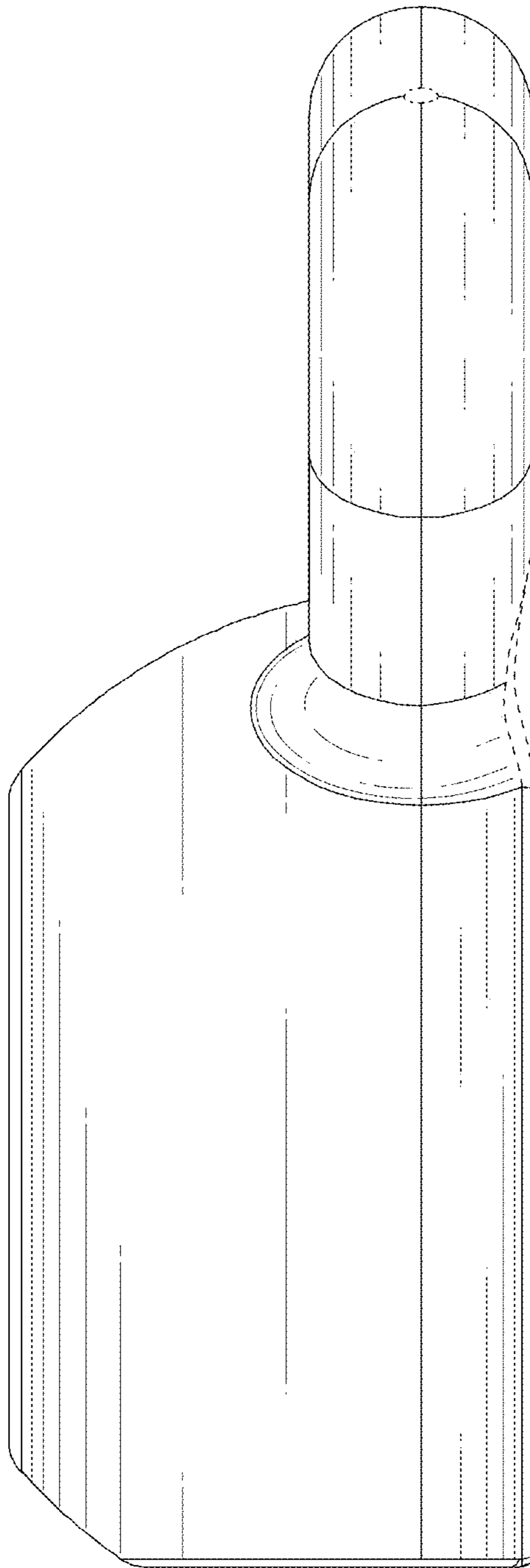


FIG. 6

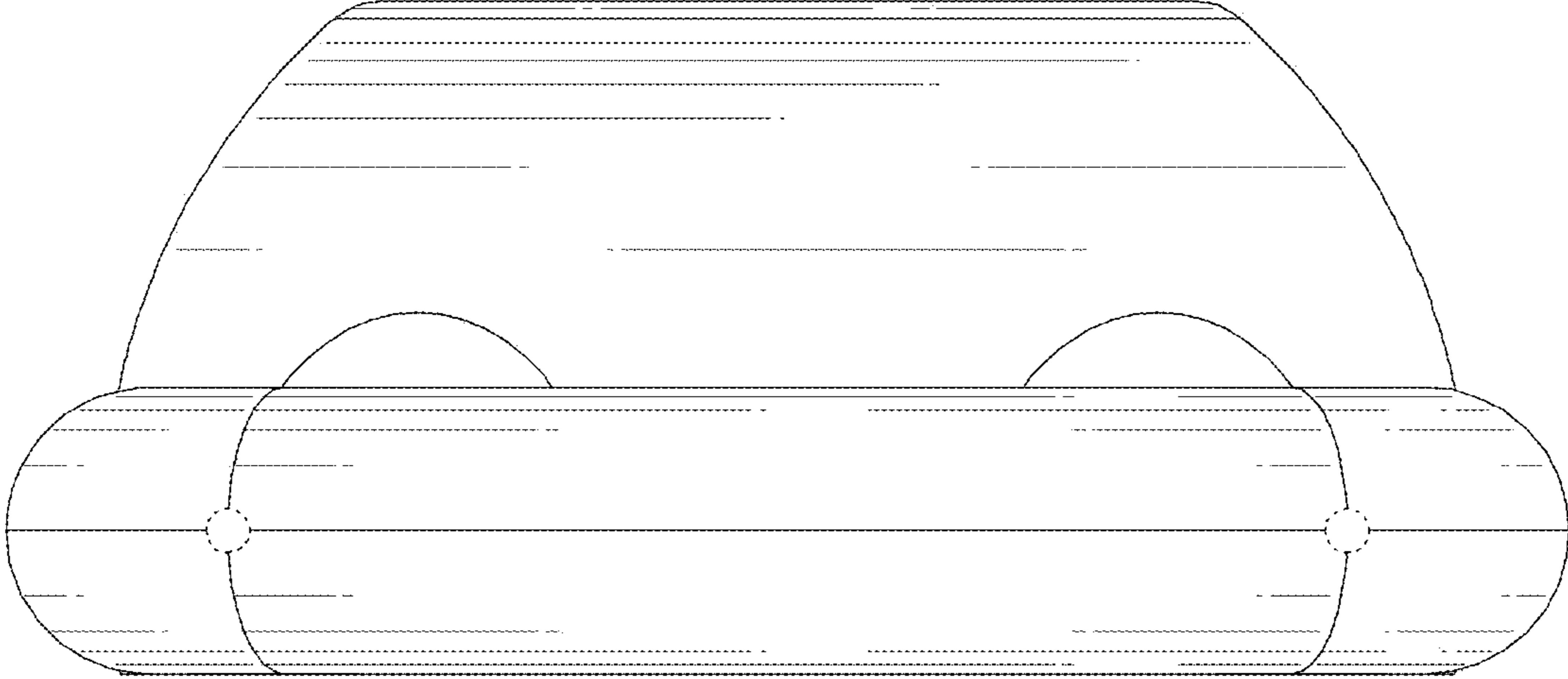


FIG. 7

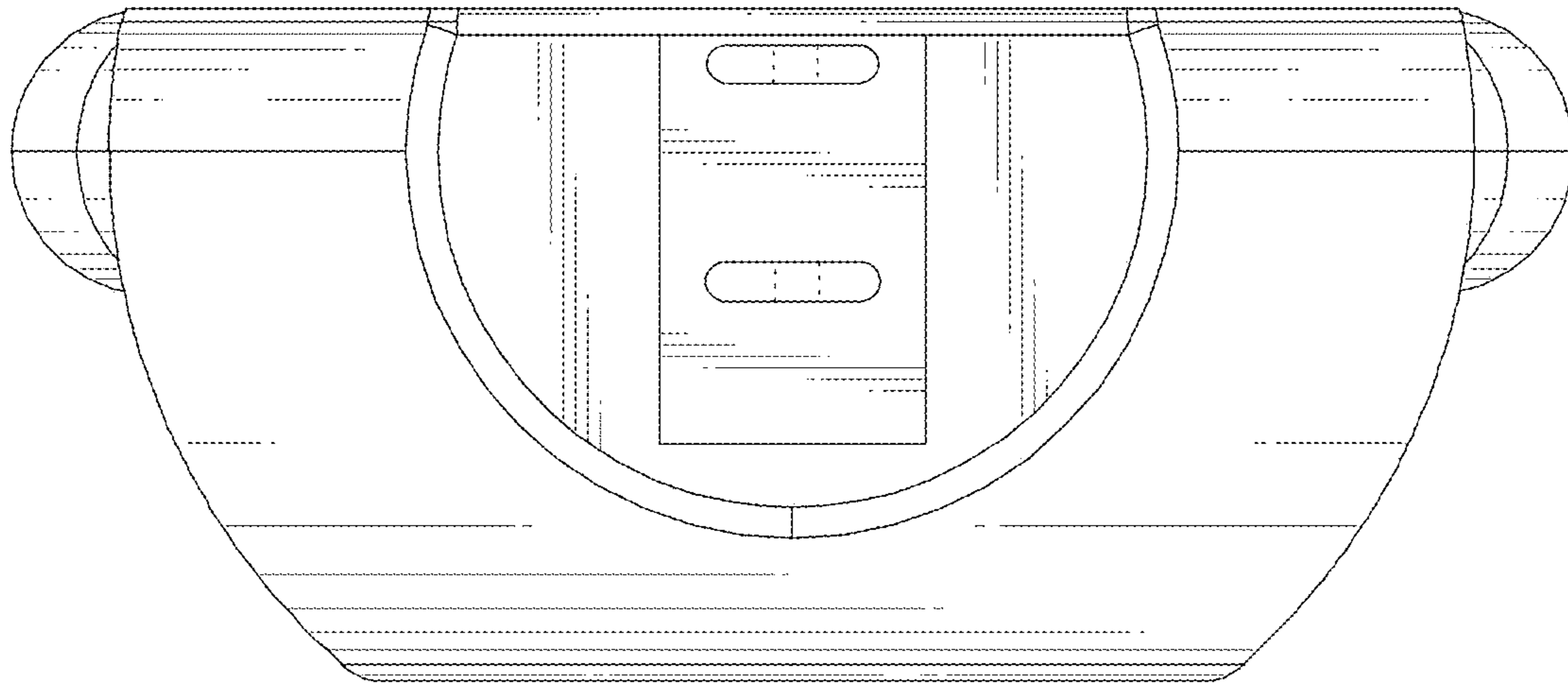


FIG. 8

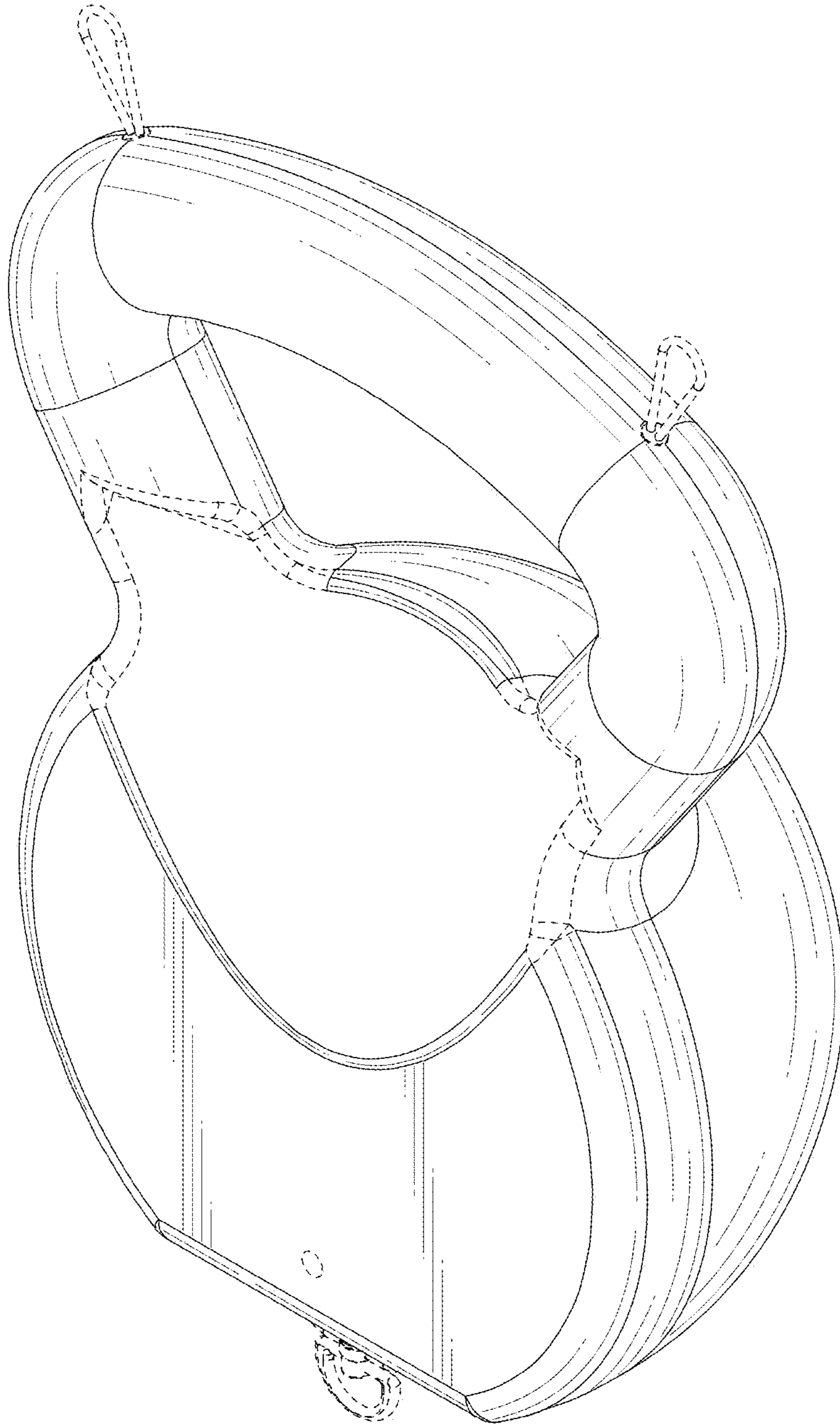


FIG. 9

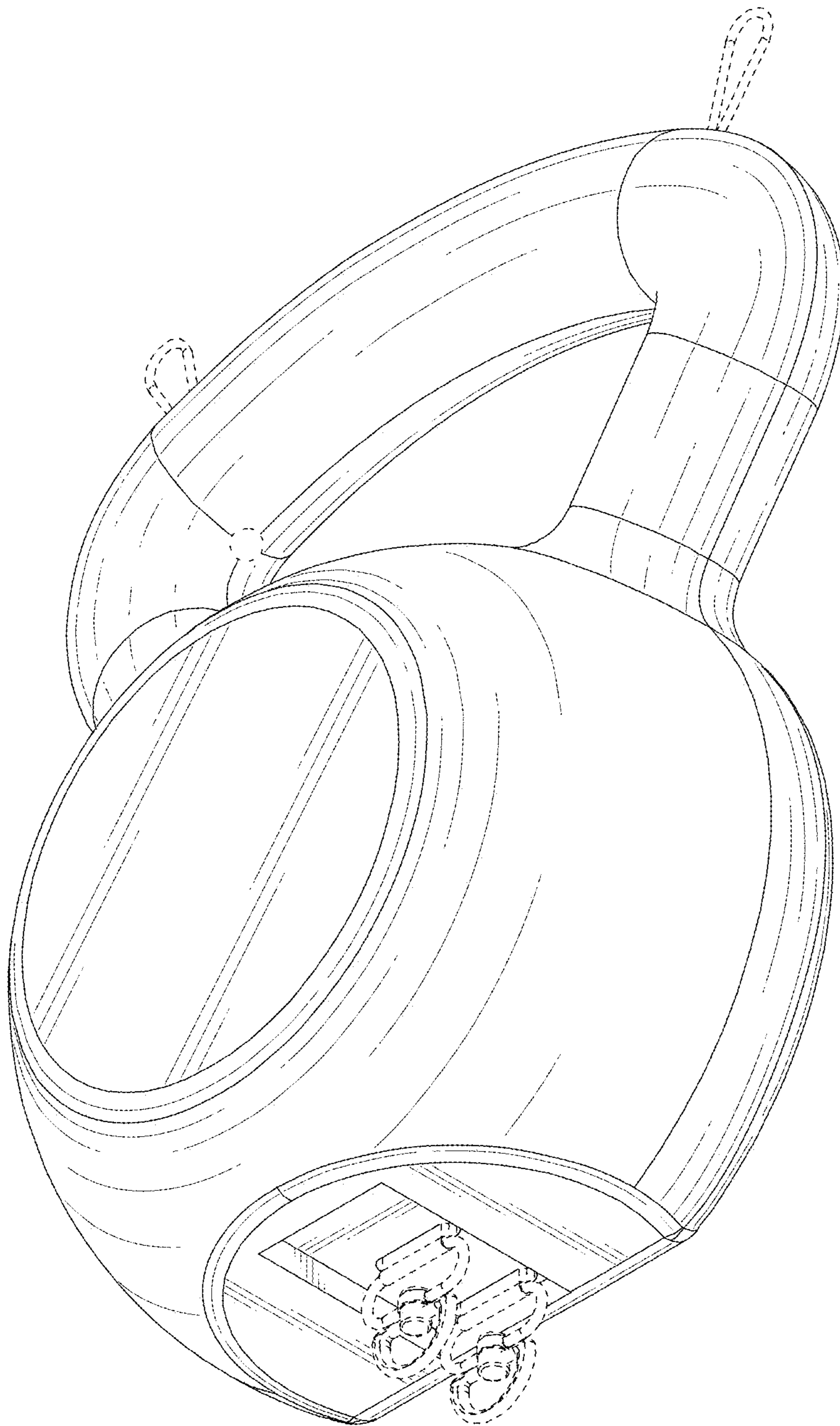


FIG. 10

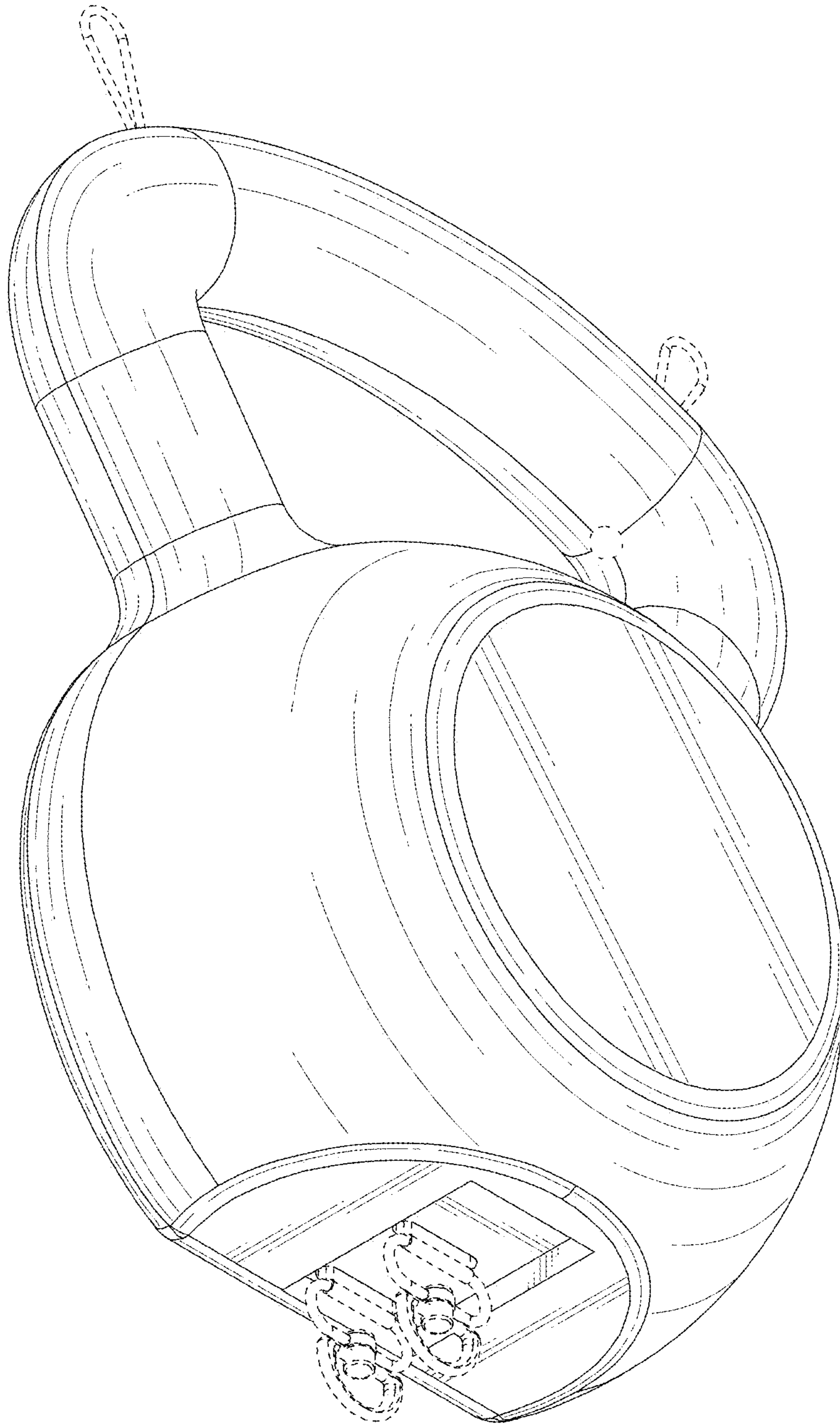


FIG. 11