



US0D1036345S

(12) **United States Design Patent** (10) **Patent No.:** **US D1,036,345 S**  
**Abderrazak** (45) **Date of Patent:** **\*\* Jul. 23, 2024**

(54) **WHEEL RIM**  
(71) Applicant: **Naim Abderrazak**, Arlington, TX (US)  
(72) Inventor: **Naim Abderrazak**, Arlington, TX (US)  
(\*\*) Term: **15 Years**  
(21) Appl. No.: **29/836,331**

D792,829 S \* 7/2017 Kim ..... D12/211  
D808,881 S \* 1/2018 Simpson ..... D12/211  
D821,285 S \* 6/2018 Zhao ..... D12/211  
D842,197 S \* 3/2019 Han ..... D12/209  
D859,260 S \* 9/2019 Hejtmanek ..... D12/209  
D879,692 S \* 3/2020 Zhao ..... D12/209  
D888,637 S \* 6/2020 Zhao ..... D12/209  
D897,922 S \* 10/2020 Macey ..... D12/209  
D984,348 S \* 4/2023 Schmölz ..... D12/211

(22) Filed: **Apr. 26, 2022**  
(51) **LOC (14) Cl.** ..... **12-16**  
(52) **U.S. Cl.**  
USPC ..... **D12/209**  
(58) **Field of Classification Search**  
USPC ..... D12/204–213, 501; D21/563, 779  
CPC .... B60B 7/00; B60B 7/01; B60B 7/02; B60B  
7/04; B60B 7/06; B60B 3/02; B60B 3/04;  
B60B 3/06; B60B 3/10; B60B 1/00;  
B60B 1/08; B60B 1/10; B60B 1/12  
See application file for complete search history.

**OTHER PUBLICATIONS**

KMC Wheels, Published date unavailable [online], [retrieved on Feb. 28, 2024]. Retrieved from the Internet: <https://www.discounttiredirect.com/buy-wheels/kmc-km690-mc-5/p/54477> (Year: 2024).\*

\* cited by examiner

*Primary Examiner* — Mark A Goodwin  
*Assistant Examiner* — Adam C Mager  
(74) *Attorney, Agent, or Firm* — Eric Karich; KARICH & ASSOCIATES

(56) **References Cited**

**U.S. PATENT DOCUMENTS**

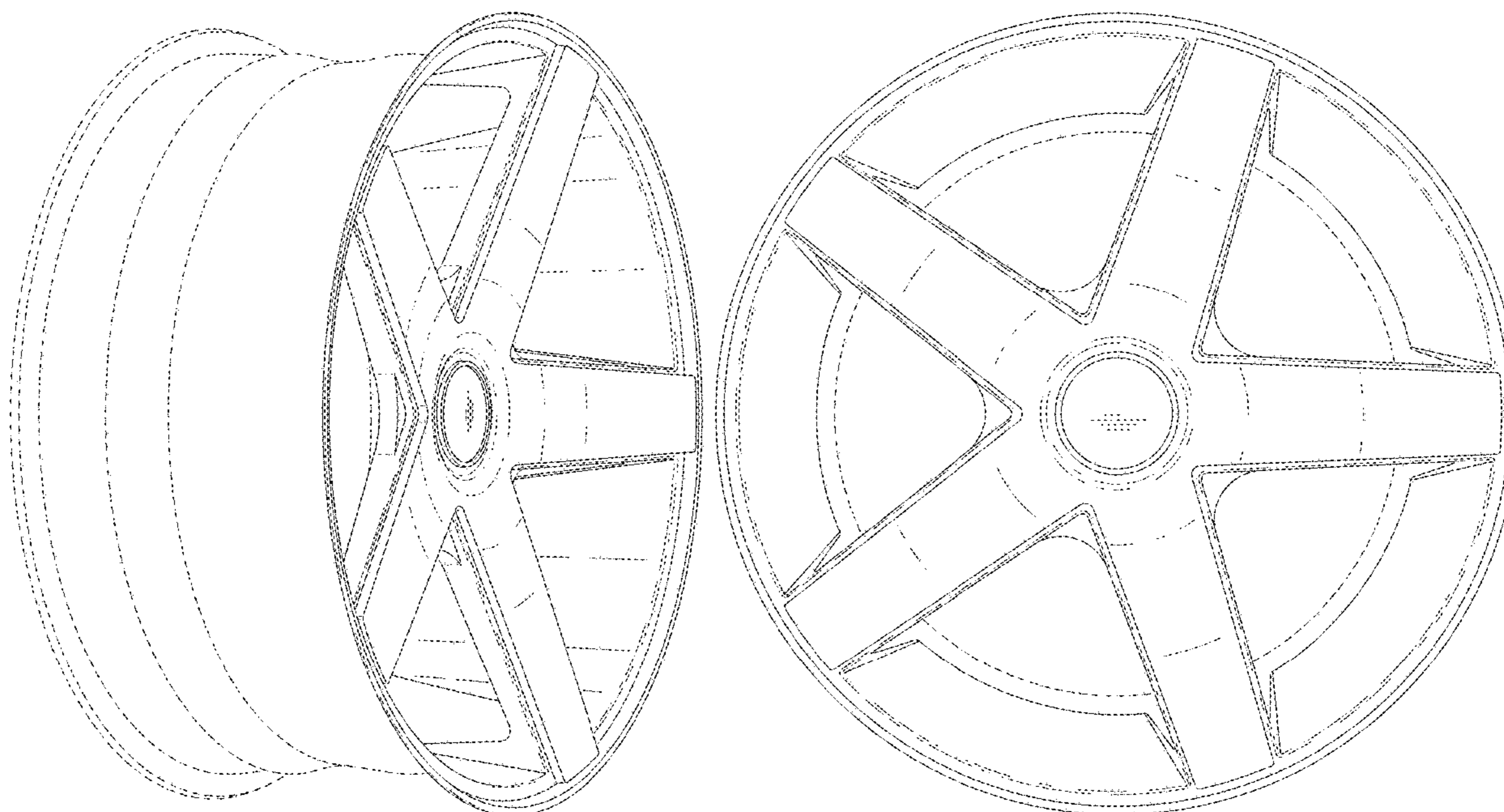
D458,208 S \* 6/2002 Hartl ..... D12/211  
D460,036 S \* 7/2002 Yajima ..... D12/211  
D515,996 S \* 2/2006 Baumgartner ..... D12/209  
D540,733 S \* 4/2007 Castiglione ..... D12/211  
D585,351 S \* 1/2009 Hieke ..... D12/209  
D639,220 S \* 6/2011 Zhao ..... D12/209  
D736,136 S \* 8/2015 Hale, Jr. .... D12/213  
D741,241 S \* 10/2015 Hale, Jr. .... D12/211  
D742,799 S \* 11/2015 Zhao ..... D12/211  
D749,030 S \* 2/2016 Zhao ..... D12/211  
D779,408 S \* 2/2017 Chung ..... D12/211

(57) **CLAIM**  
The ornamental design for a wheel rim, as shown and described.

**DESCRIPTION**

FIG. 1 is a perspective view of a wheel rim, showing my new design; and, FIG. 2 is a front elevational view thereof. The broken line showing of the rim barrel in the drawings is for the purpose of illustrating portions of the wheel rim and forms no part of the claimed design.

**1 Claim, 2 Drawing Sheets**



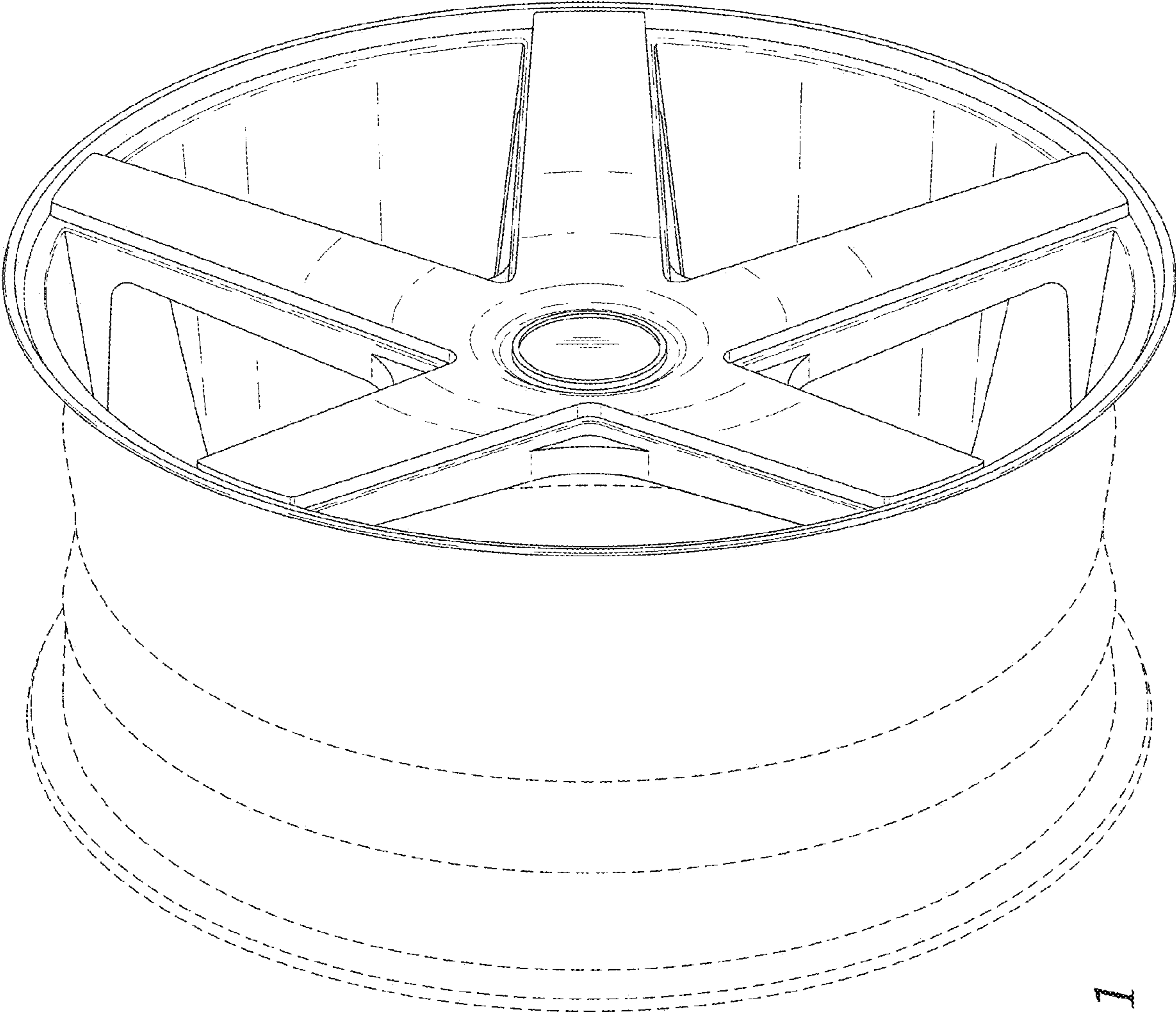


Fig. 1

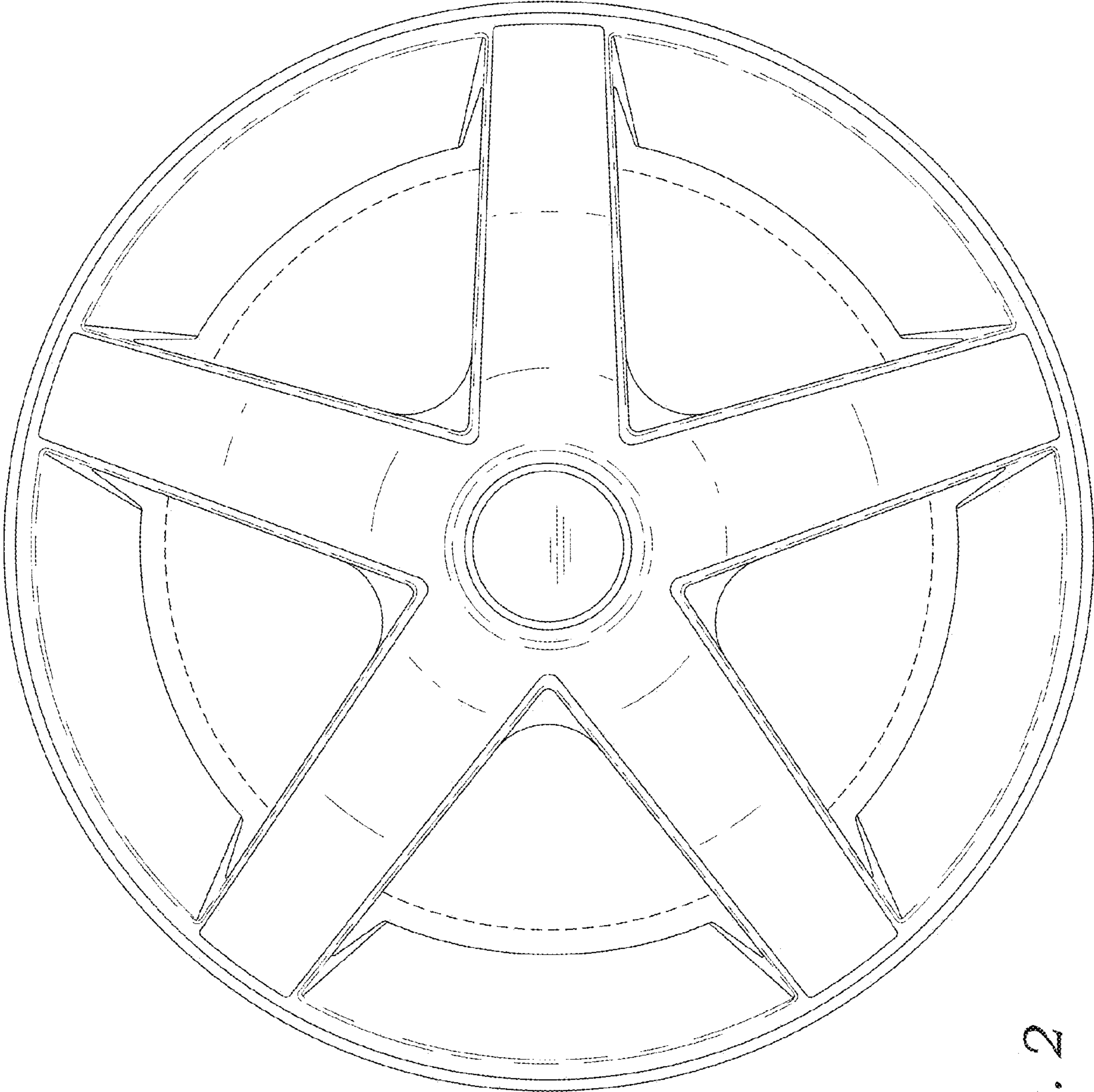


Fig. 2