



US0D1036319S

(12) **United States Design Patent** (10) **Patent No.:** **US D1,036,319 S**  
**Hawkins et al.** (45) **Date of Patent:** **\*\* Jul. 23, 2024**

(54) **BICYCLE REPAIR STAND**  
(71) Applicant: **Bicycle Tools Incorporated**, Saint Paul, MN (US)  
(72) Inventors: **Eric Hawkins**, Stillwater, MN (US); **John Krawczyk**, Saint Paul, MN (US); **Jeffrey Swanson**, Andover, MN (US); **Craig Calvin Jones**, Stillwater, MN (US); **Truman Purdy**, River Falls, WI (US); **Jacob Jackson**, Somerset, WI (US); **Riley Thiesfeld**, Chaska, MN (US)

(73) Assignee: **Bicycle Tools Incorporated**, Saint Paul, MN (US)

(\*\*) Term: **15 Years**

(21) Appl. No.: **29/788,966**

(22) Filed: **Aug. 19, 2021**

(51) **LOC (14) Cl.** ..... **08-10**

(52) **U.S. Cl.**  
USPC ..... **D12/115**

(58) **Field of Classification Search**  
USPC ..... D12/110, 111, 112, 114, 117, 118, 119, D12/120, 126, 115  
CPC ..... B60R 9/048; B60R 9/045; B60R 9/06; B60R 9/10  
See application file for complete search history.

(56) **References Cited**

U.S. PATENT DOCUMENTS

- D27,072 S \* 5/1897 Seely ..... D12/115
- D280,088 S \* 8/1985 Shedden ..... D12/115
- D330,695 S \* 11/1992 Simmons ..... D12/115
- D414,962 S \* 10/1999 Welsh ..... D17/99
- D437,164 S \* 2/2001 Fickett ..... D6/552
- D554,025 S \* 10/2007 Van Valkenburgh ..... D12/115
- D646,505 S \* 10/2011 Eason ..... D6/682.3

- 8,367,919 B2 \* 2/2013 Belitz ..... G10G 5/00 84/453
- D738,264 S \* 9/2015 Williams ..... D12/115
- D825,396 S \* 8/2018 Van Straaten ..... D12/115
- D846,450 S \* 4/2019 Fickett ..... D12/115
- 11,046,380 B1 \* 6/2021 Gu ..... B62H 3/12
- D933,579 S \* 10/2021 Gaddis ..... D12/406

(Continued)

FOREIGN PATENT DOCUMENTS

GB 6185856 \* 1/2022

OTHER PUBLICATIONS

PVD—9.3 Home Mechanic Repair Stand, posted Jul. 7, 2021 [online], [retrieved Sep. 3, 2023]. Retrieved from internet, <https://www.youtube.com/watch?v=urGuRb3qt9s&t=2s> (Year: 2021).\*

(Continued)

*Primary Examiner* — Darlington Ly  
*Assistant Examiner* — Jeremy Koenig  
(74) *Attorney, Agent, or Firm* — Thomas J. Oppold; Larkin Hoffman Daly & Lindgren, Ltd.

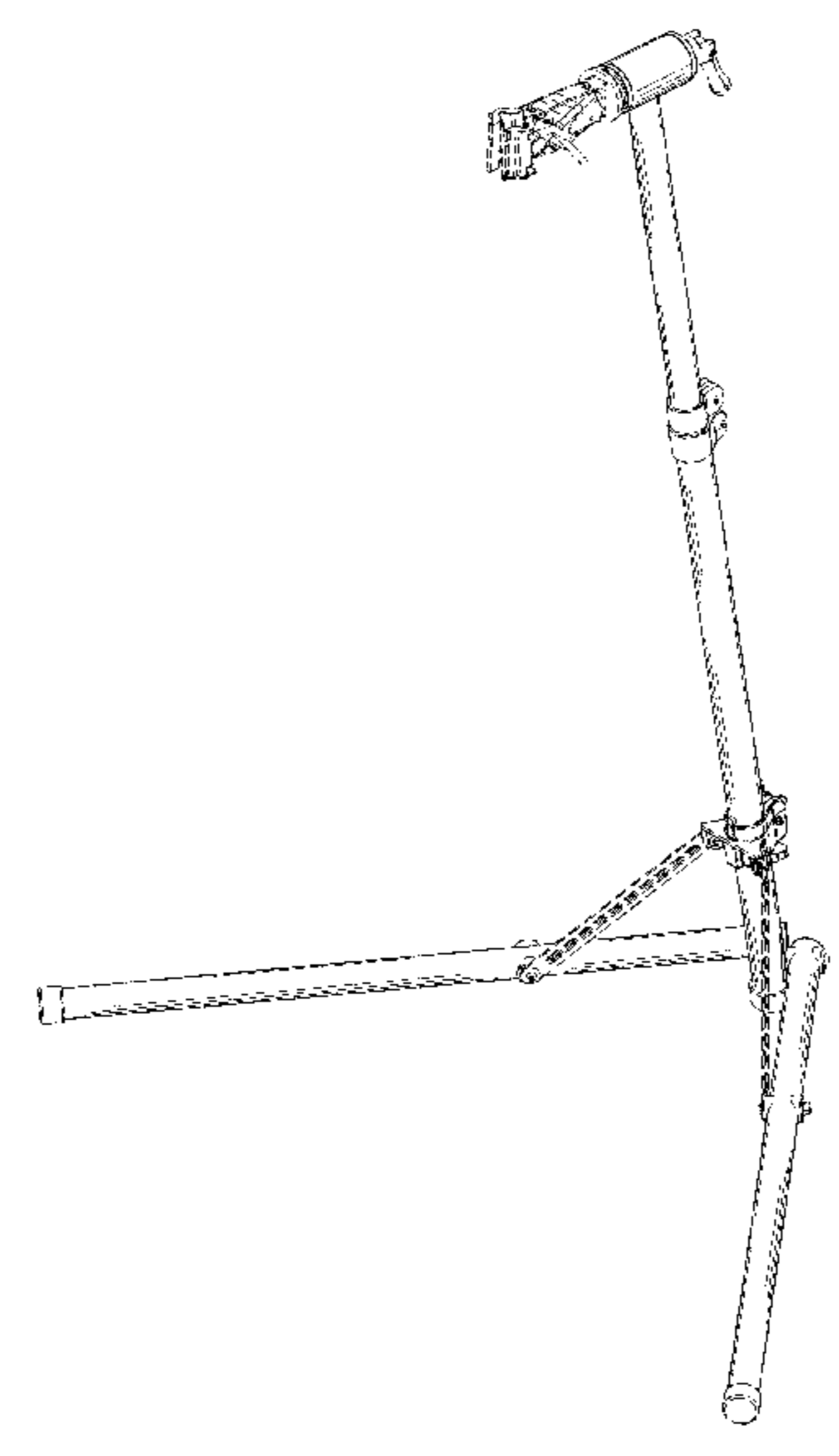
(57) **CLAIM**

The ornamental design for a bicycle repair stand, as shown and described.

**DESCRIPTION**

FIG. 1 is a front perspective view of a bicycle repair stand; FIG. 2 is a rear perspective view thereof; FIG. 3 is a left side elevation view thereof; FIG. 4 is a right side elevation view thereof; FIG. 5 is a front elevation view thereof; FIG. 6 is a rear elevation view thereof; FIG. 7 is a top view thereof; and, FIG. 8 is a bottom view thereof. The broken lines showing portions of the bicycle repair stand form no part of the claimed design.

**1 Claim, 8 Drawing Sheets**



(56)

**References Cited**

U.S. PATENT DOCUMENTS

D976,759 S \* 1/2023 Zhang ..... D12/115  
2008/0135697 A1 \* 6/2008 Workman ..... G10G 5/00  
248/188.8

OTHER PUBLICATIONS

PCS—9.3 Home Mechanic Repair Stand, posted Aug. 13, 2021 [online], [retrieved Sep. 3, 2023]. Retrieved from internet, <https://www.parktool.com/en-us/product/home-mechanic-repair-stand-pcs-9-3> (Year: 2021).\*

Pro Portable Mechanic Bike Repair Stand Bicycle Workstand—Conquer Equipment, posted date unknown [online], [retrieved Sep. 3, 2023]. Retrieved from internet, <https://www.conquerequipment.com/products/pro-portable-mechanic-bike-repair-stand-bicycle-workstand> (Year: 2023).\*

\* cited by examiner

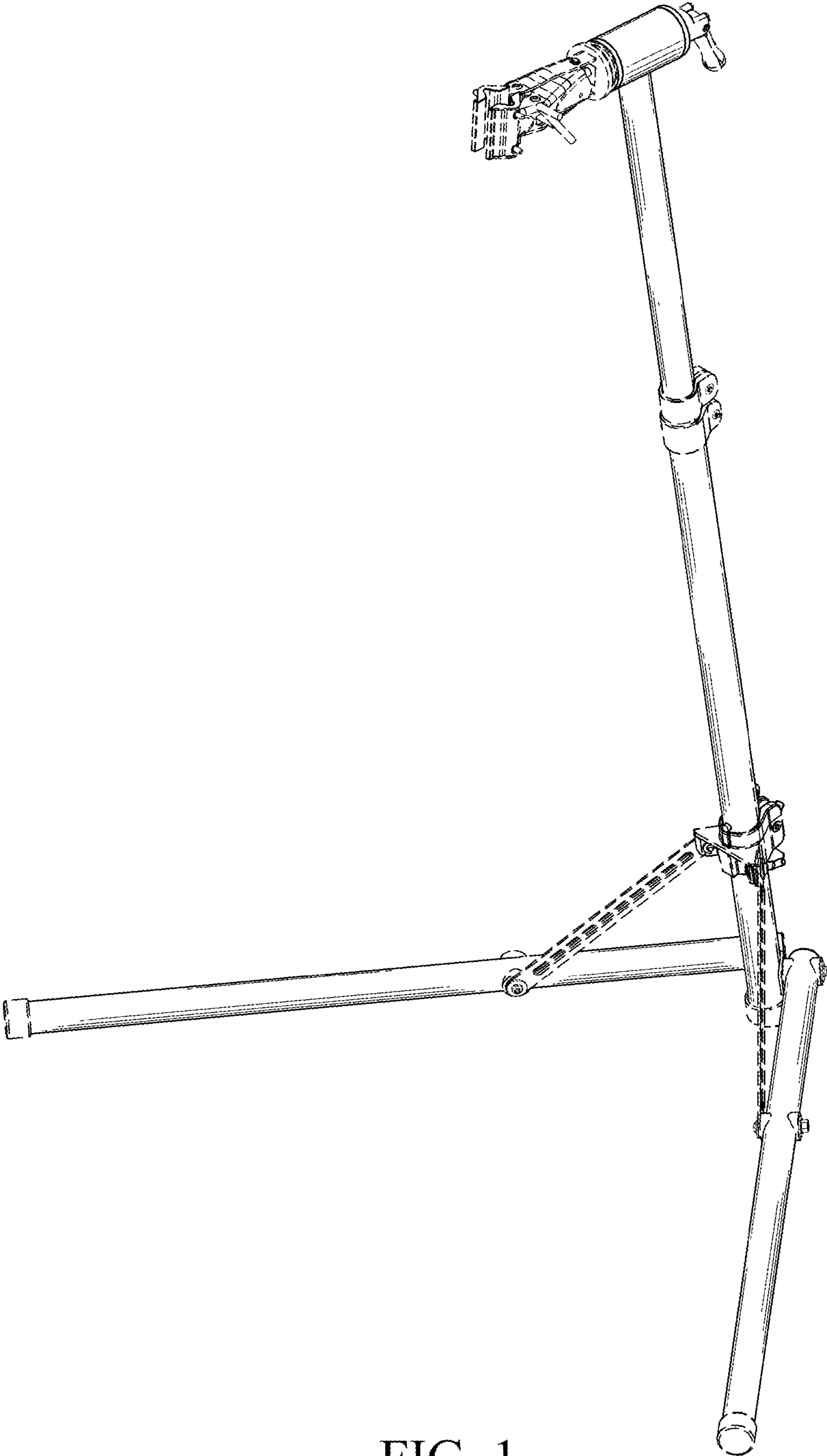


FIG. 1

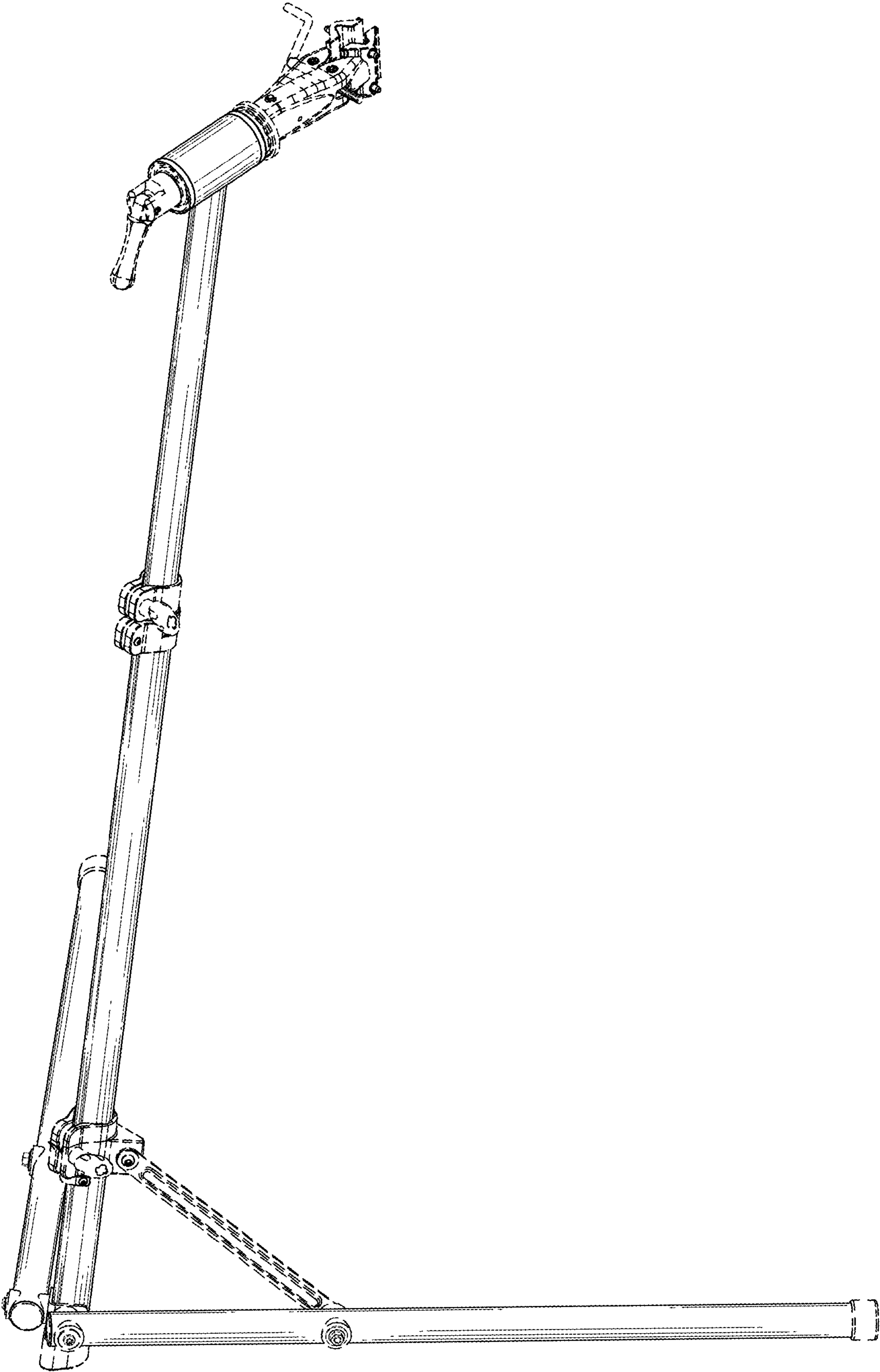


FIG. 2

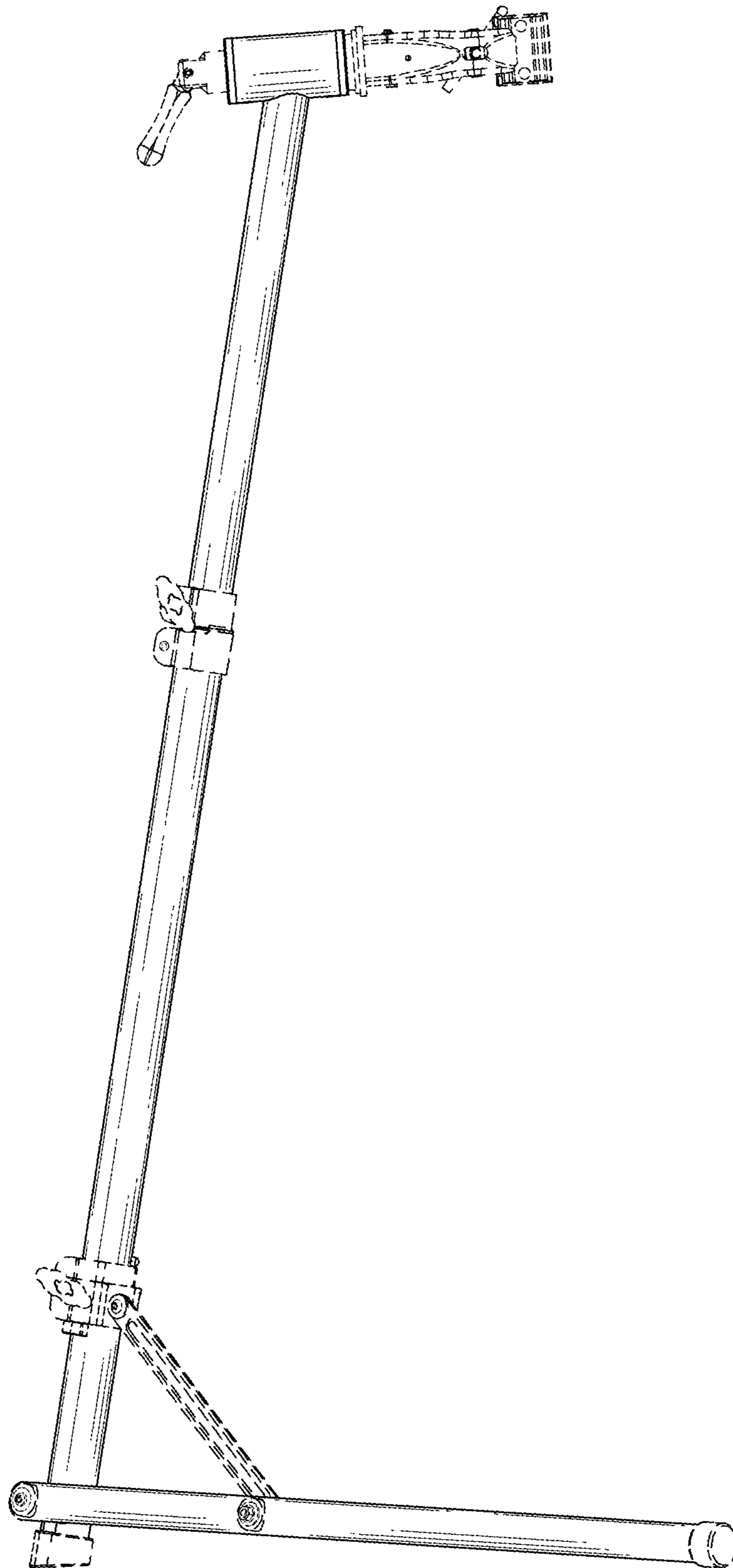


FIG. 3

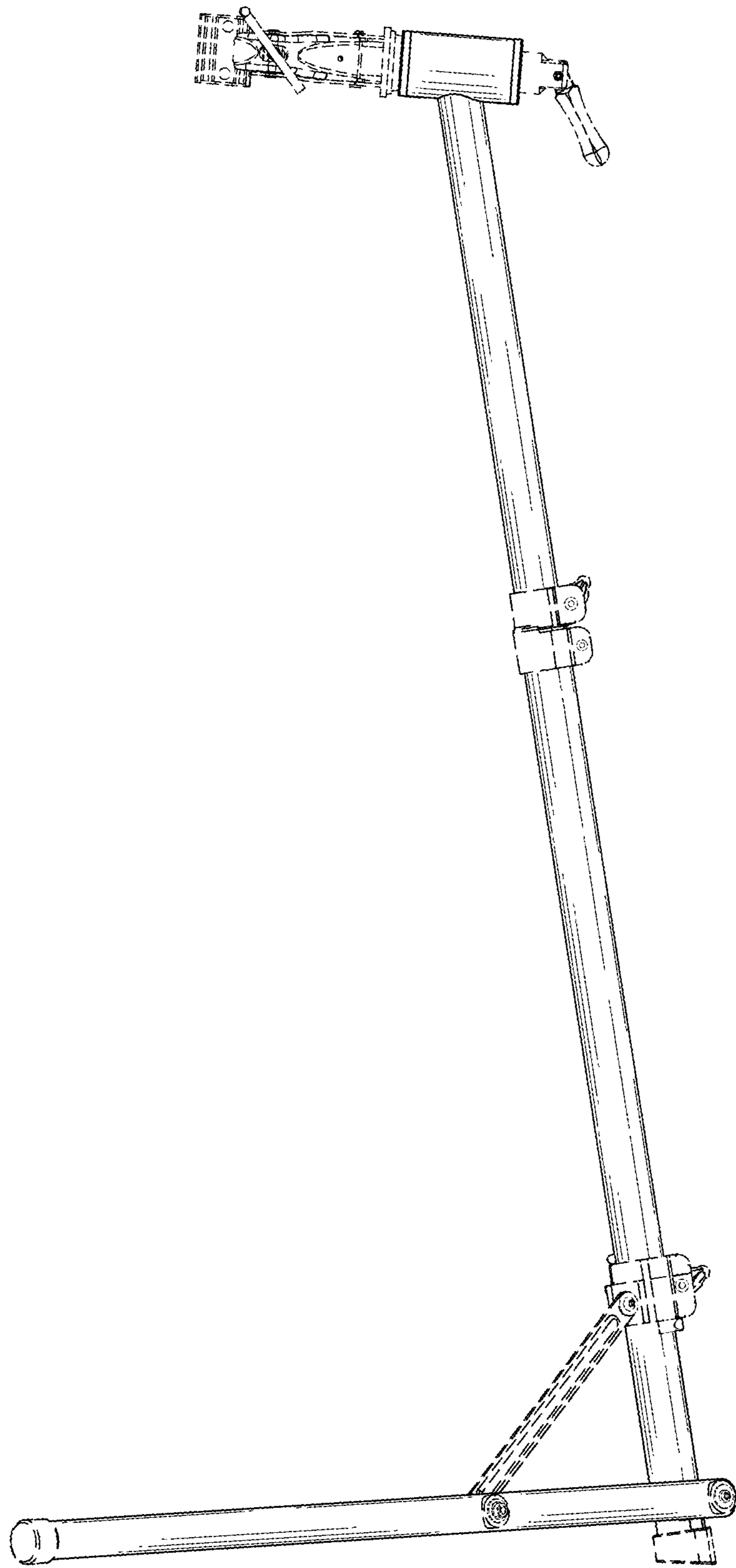


FIG. 4

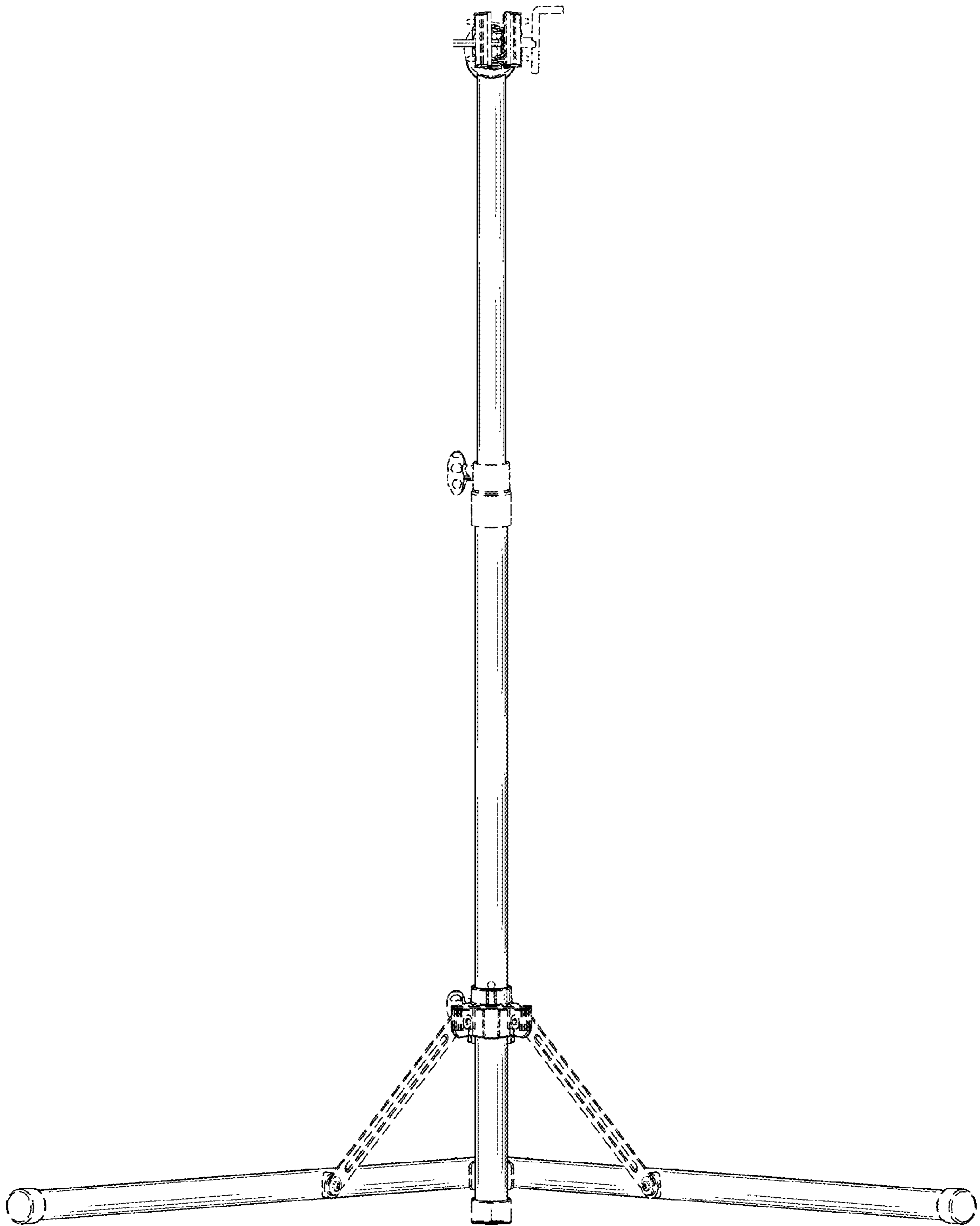


FIG. 5

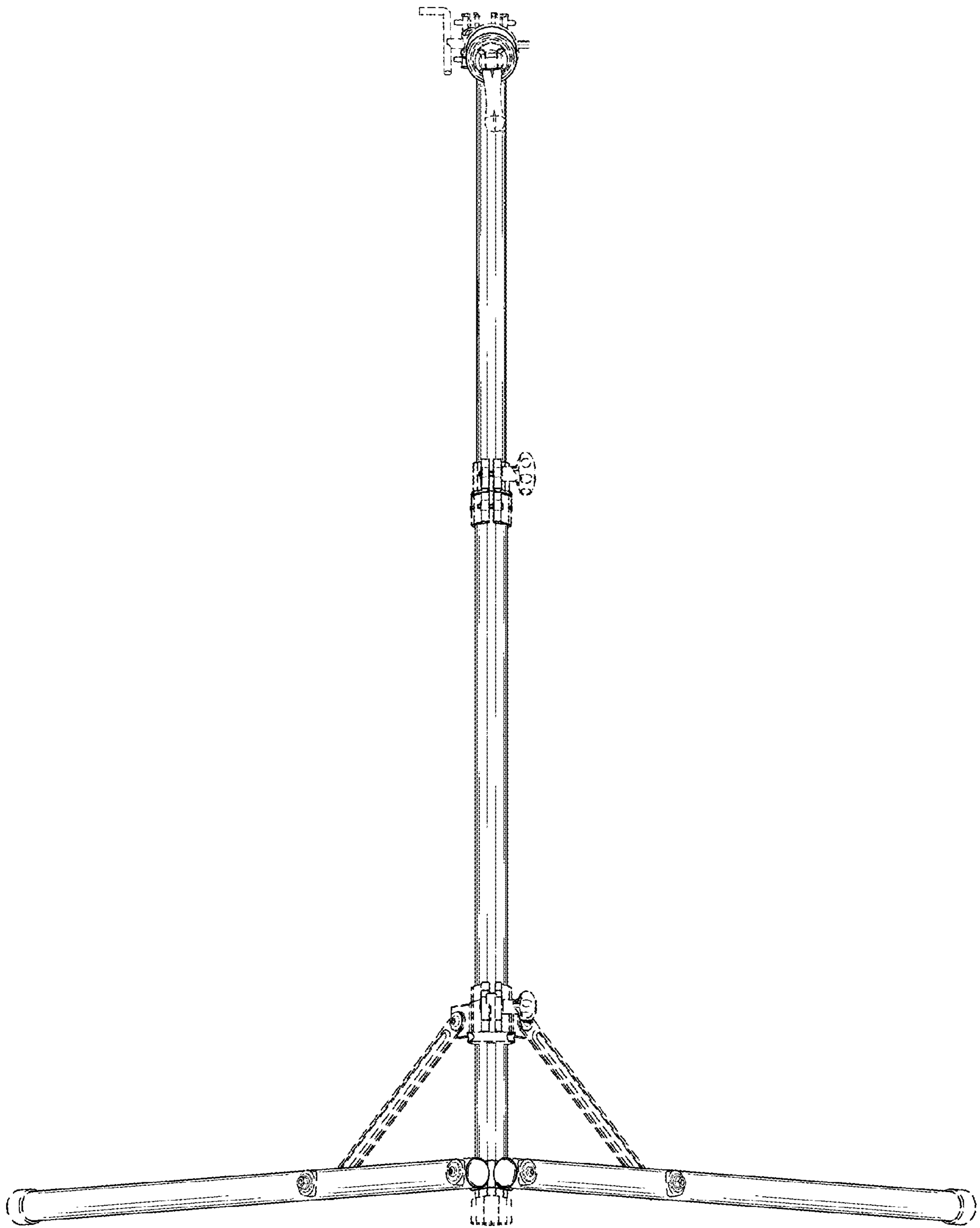


FIG. 6



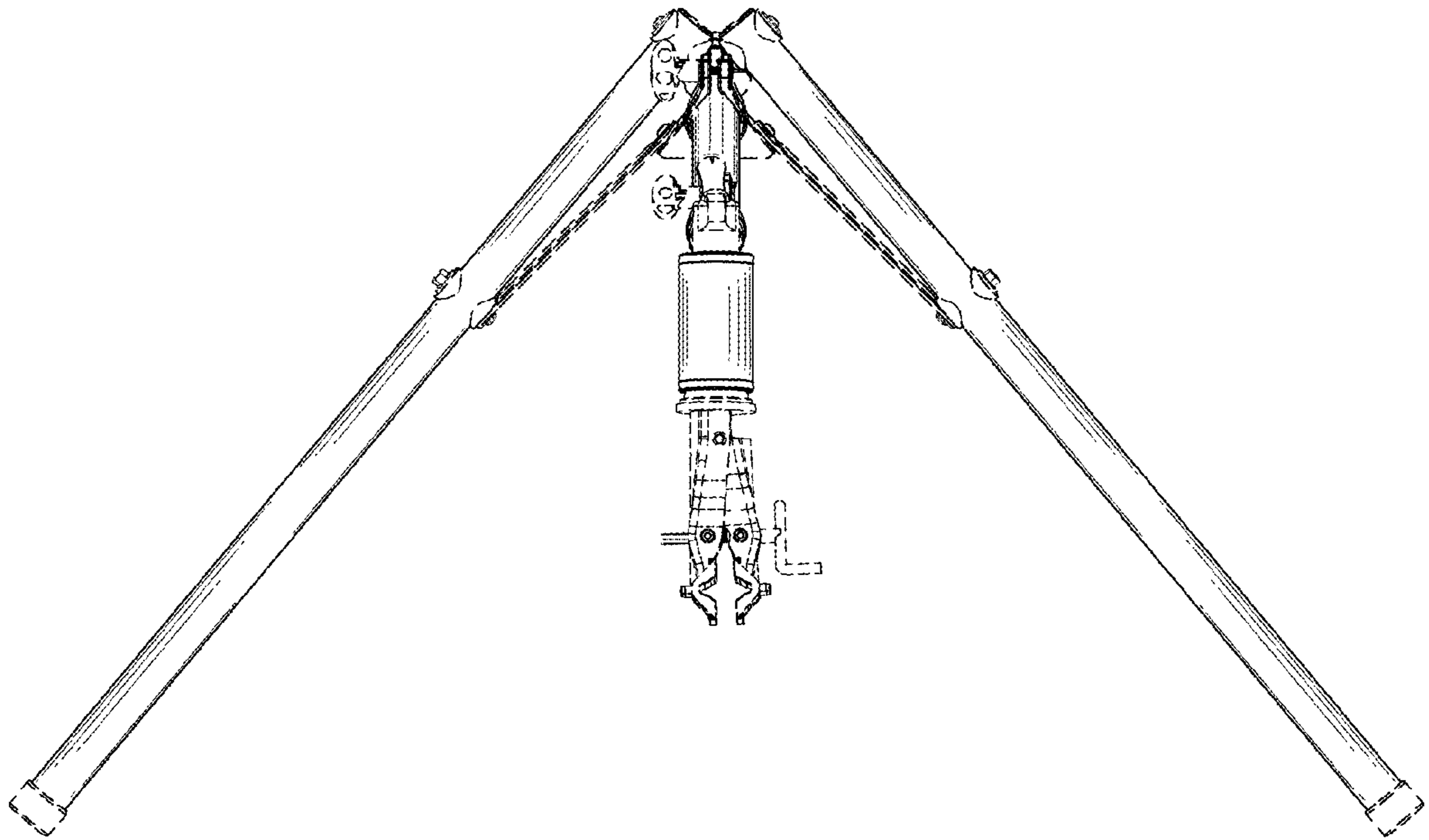


FIG. 7

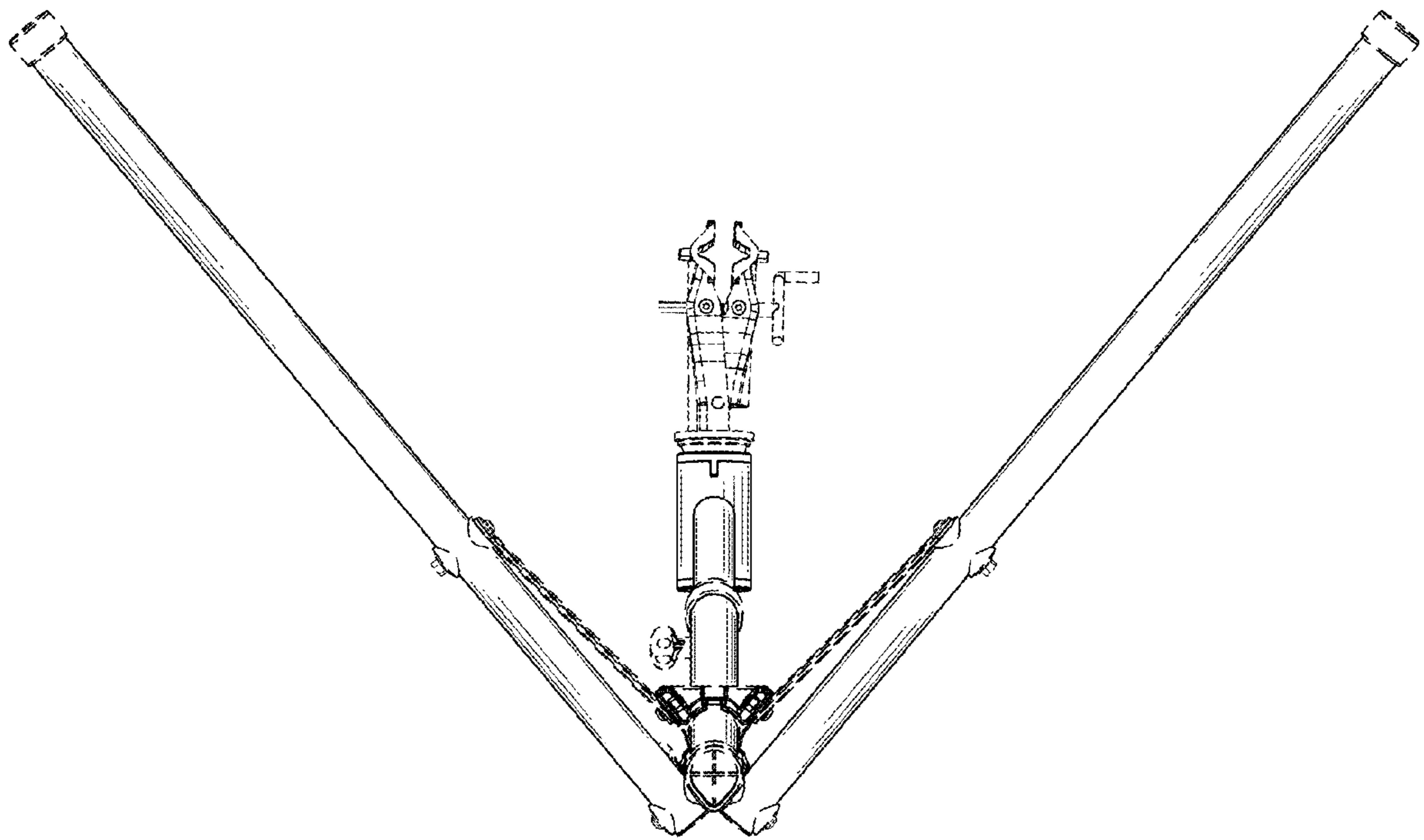


FIG. 8