



US0D1036225S

(12) **United States Design Patent** (10) **Patent No.:** **US D1,036,225 S**  
**Chen** (45) **Date of Patent:** **\*\* Jul. 23, 2024**

(54) **REINFORCED DOOR HANDLE**  
(71) Applicant: **Wen Chen**, Parkland, FL (US)  
(72) Inventor: **Wen Chen**, Parkland, FL (US)  
(\*\*) Term: **15 Years**  
(21) Appl. No.: **29/867,063**  
(22) Filed: **Oct. 7, 2022**  
(51) **LOC (14) Cl.** ..... **08-06**  
(52) **U.S. Cl.**  
USPC ..... **D8/308**  
(58) **Field of Classification Search**  
USPC ..... D8/300–302, 307–309; D23/250, 252  
CPC ..... Y10T 292/57; Y10T 16/458; Y10T  
137/6977; Y10T 70/5832; Y10T 16/44;  
Y10T 70/5757; E05B 1/003; E05B 85/10;  
B25G 1/102; B25G 1/01; B25G 1/10;  
B25G 3/20; B25G 3/26; B25G 1/00  
See application file for complete search history.

(56) **References Cited**  
U.S. PATENT DOCUMENTS  
D67,247 S \* 5/1925 Wilson ..... D8/308  
D215,814 S \* 11/1969 Kraus ..... D8/308  
D345,901 S \* 4/1994 Fojtasek ..... D8/308

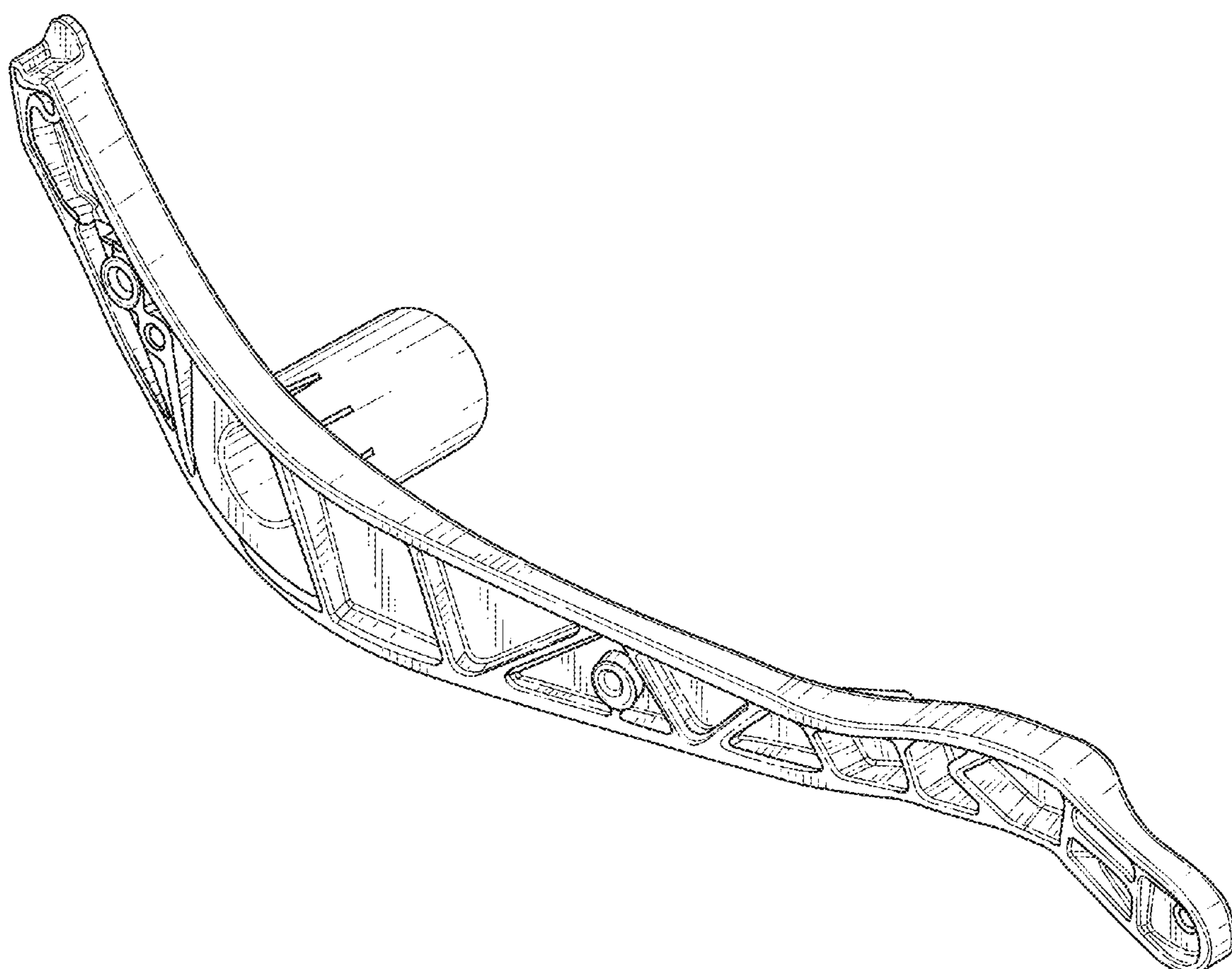
D346,544 S \* 5/1994 Price, Jr. .... D8/308  
5,394,769 A \* 3/1995 Cropley ..... B66D 1/7468  
D8/309  
D387,142 S \* 12/1997 Genesse ..... D8/308  
D444,543 S \* 7/2001 Fleischmann ..... D23/250  
D523,932 S \* 6/2006 Schaffeld ..... D23/252  
2017/0176129 A1\* 6/2017 Haas ..... F41B 5/1469  
2019/0186217 A1\* 6/2019 Foley, Jr. .... B25B 5/00  
2022/0402111 A1\* 12/2022 Hsu ..... B25G 1/10

\* cited by examiner  
*Primary Examiner* — Lauren R Calve

(57) **CLAIM**  
The ornamental design for a reinforced door handle, as shown and described.

**DESCRIPTION**  
FIG. 1 is a front-top perspective view of a reinforced door handle showing my new design;  
FIG. 2 is a front-bottom perspective view thereof;  
FIG. 3 is a rear-bottom perspective view thereof;  
FIG. 4 is a front elevational view thereof;  
FIG. 5 is a rear elevational view thereof;  
FIG. 6 is a left elevational view thereof;  
FIG. 7 is a right elevational view thereof;  
FIG. 8 is a top plan view thereof; and,  
FIG. 9 is a bottom plan view thereof.

**1 Claim, 9 Drawing Sheets**



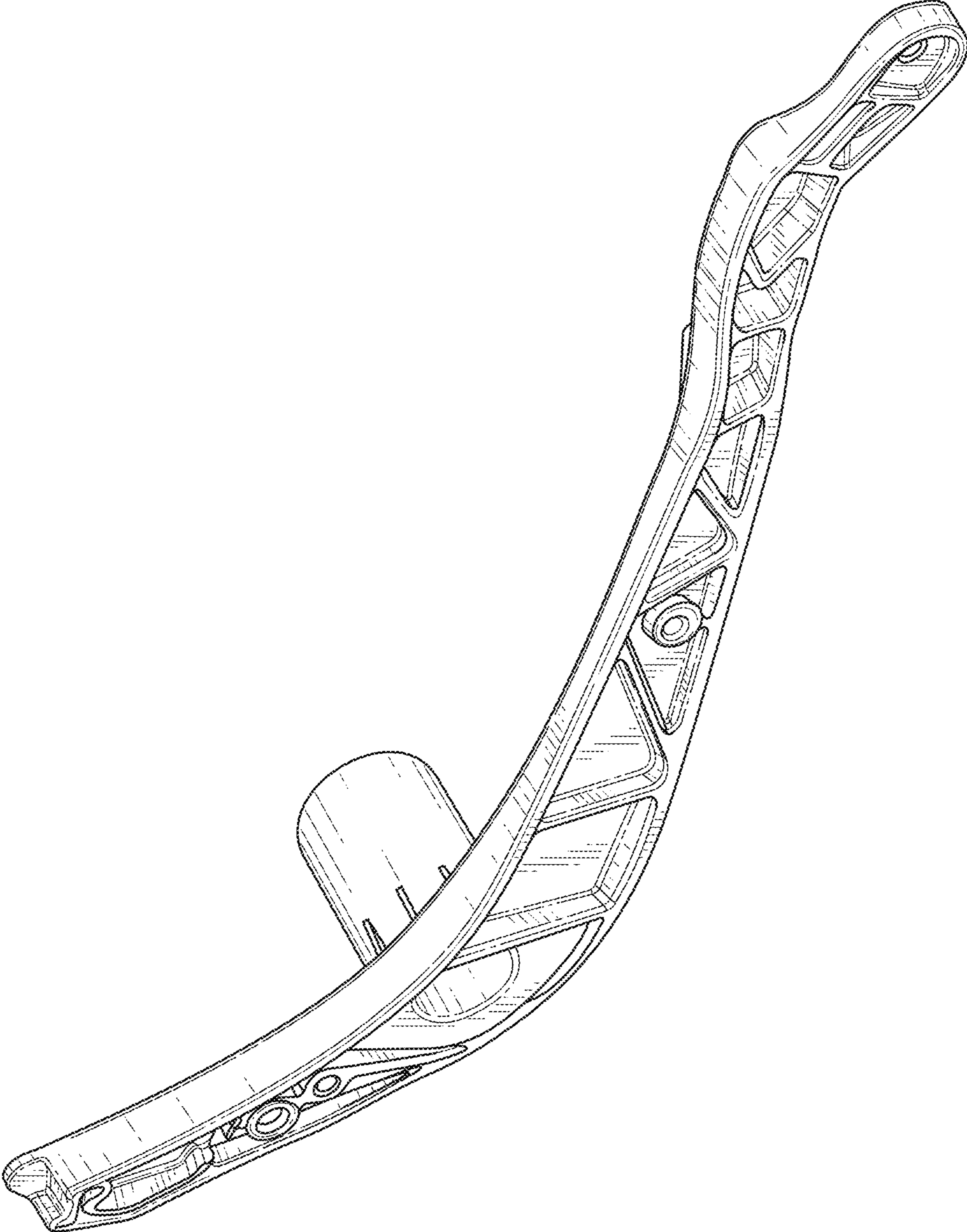


FIG. 1

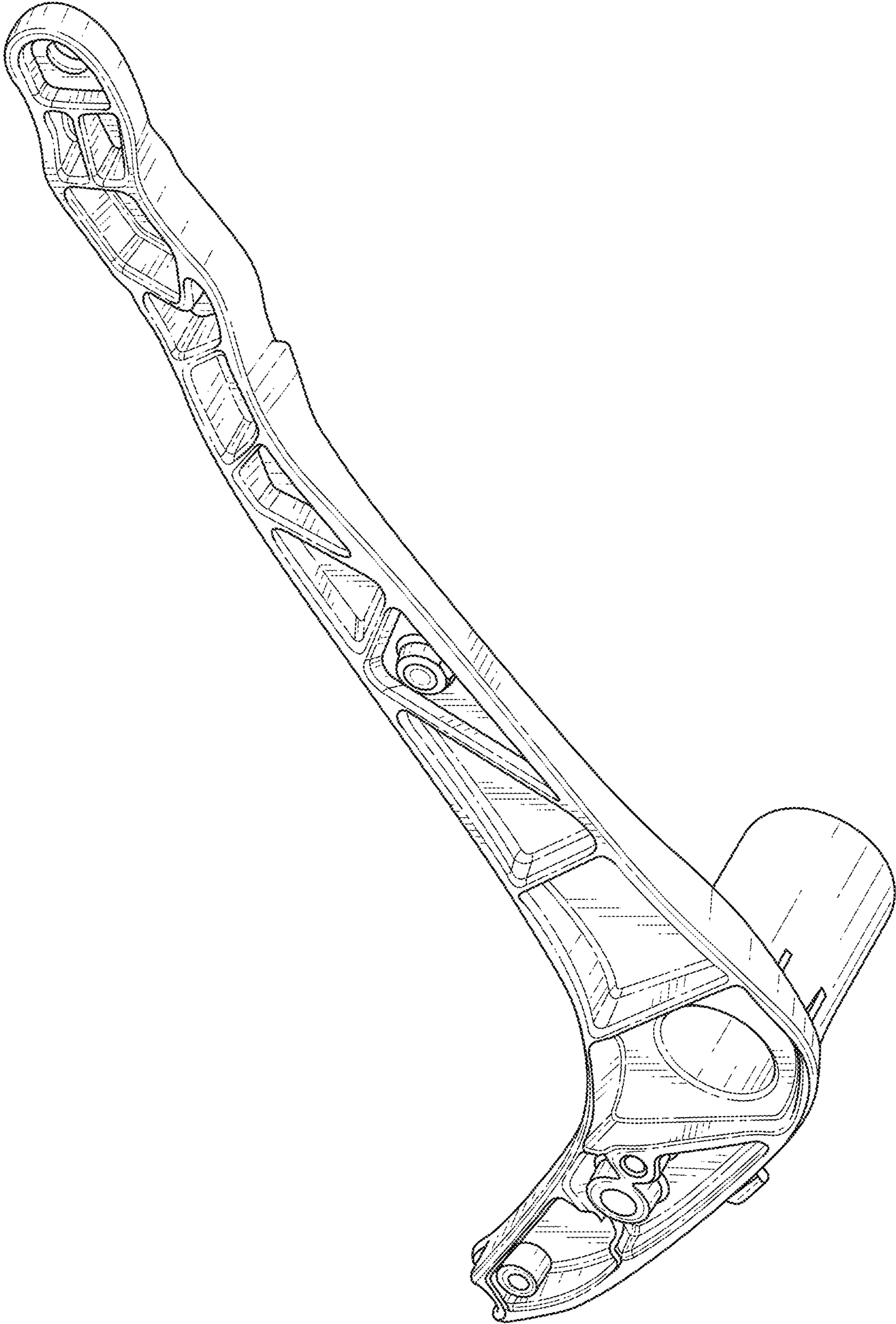


FIG. 2

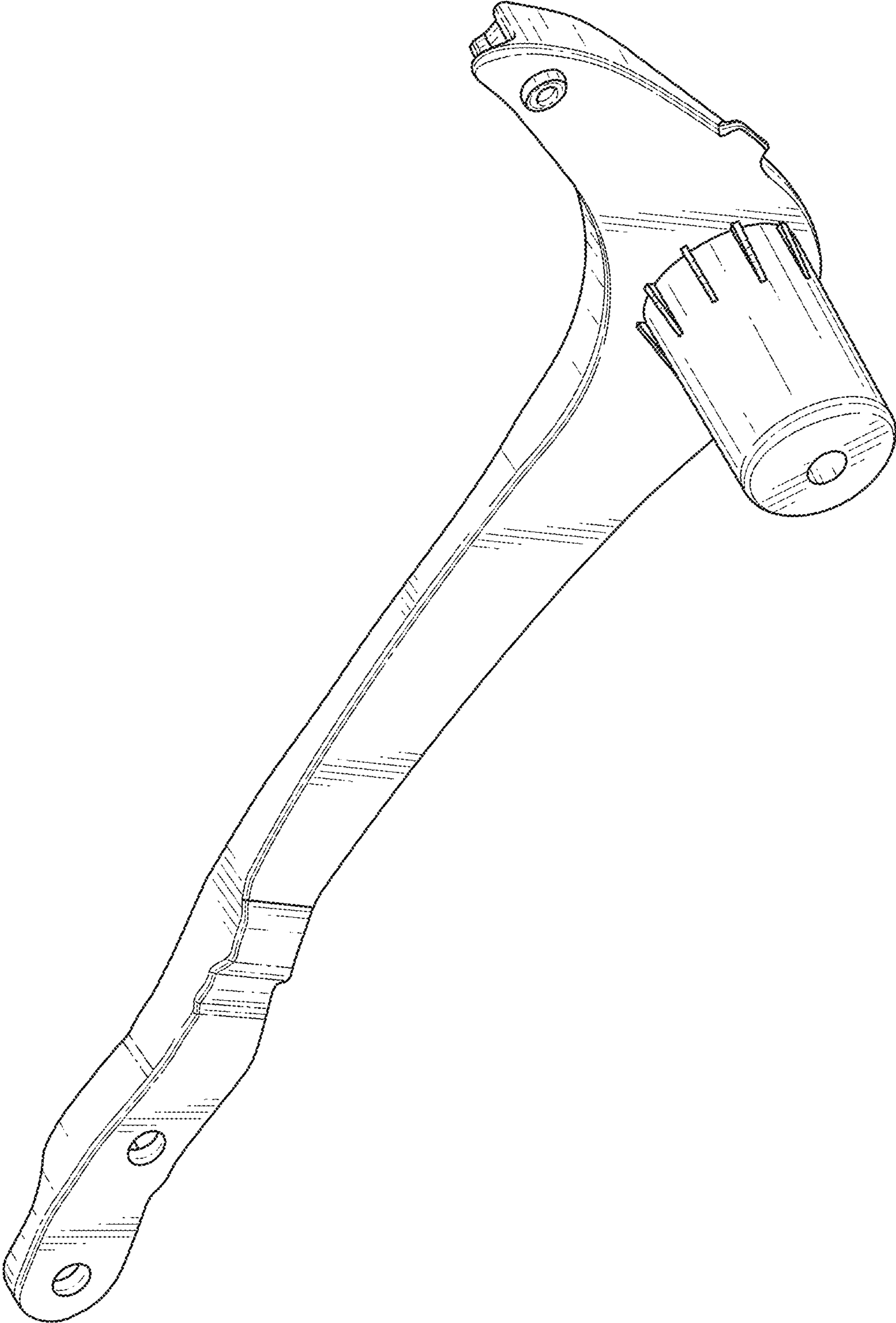


FIG. 3

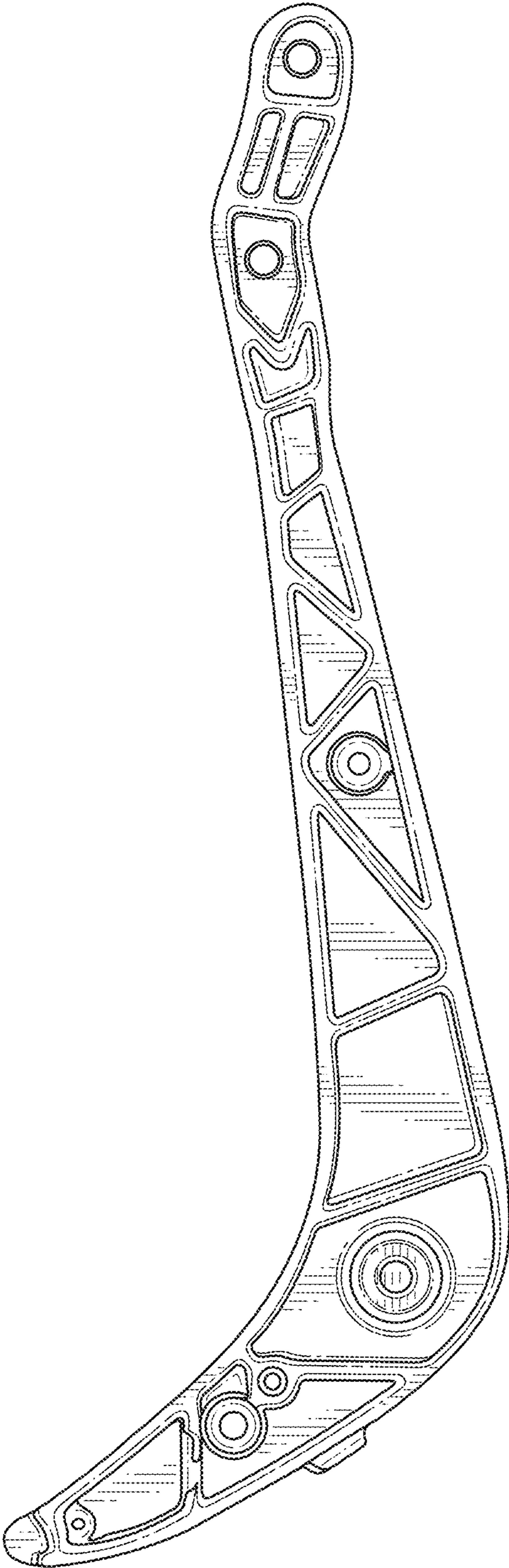


FIG. 4

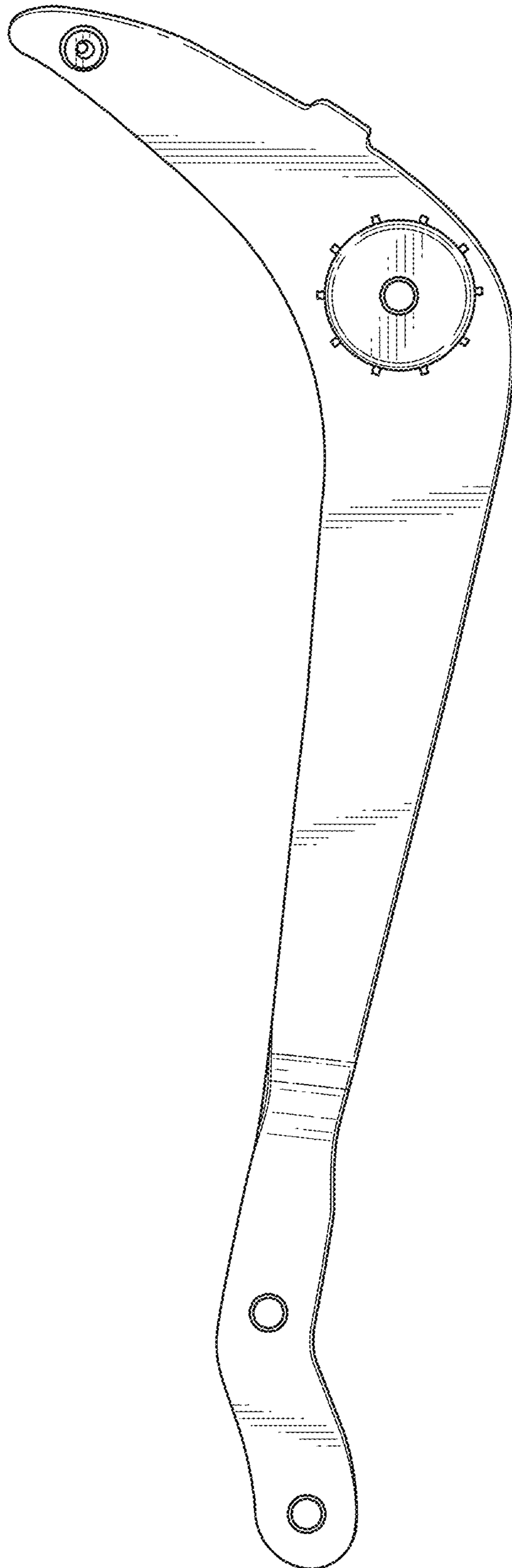


FIG. 5

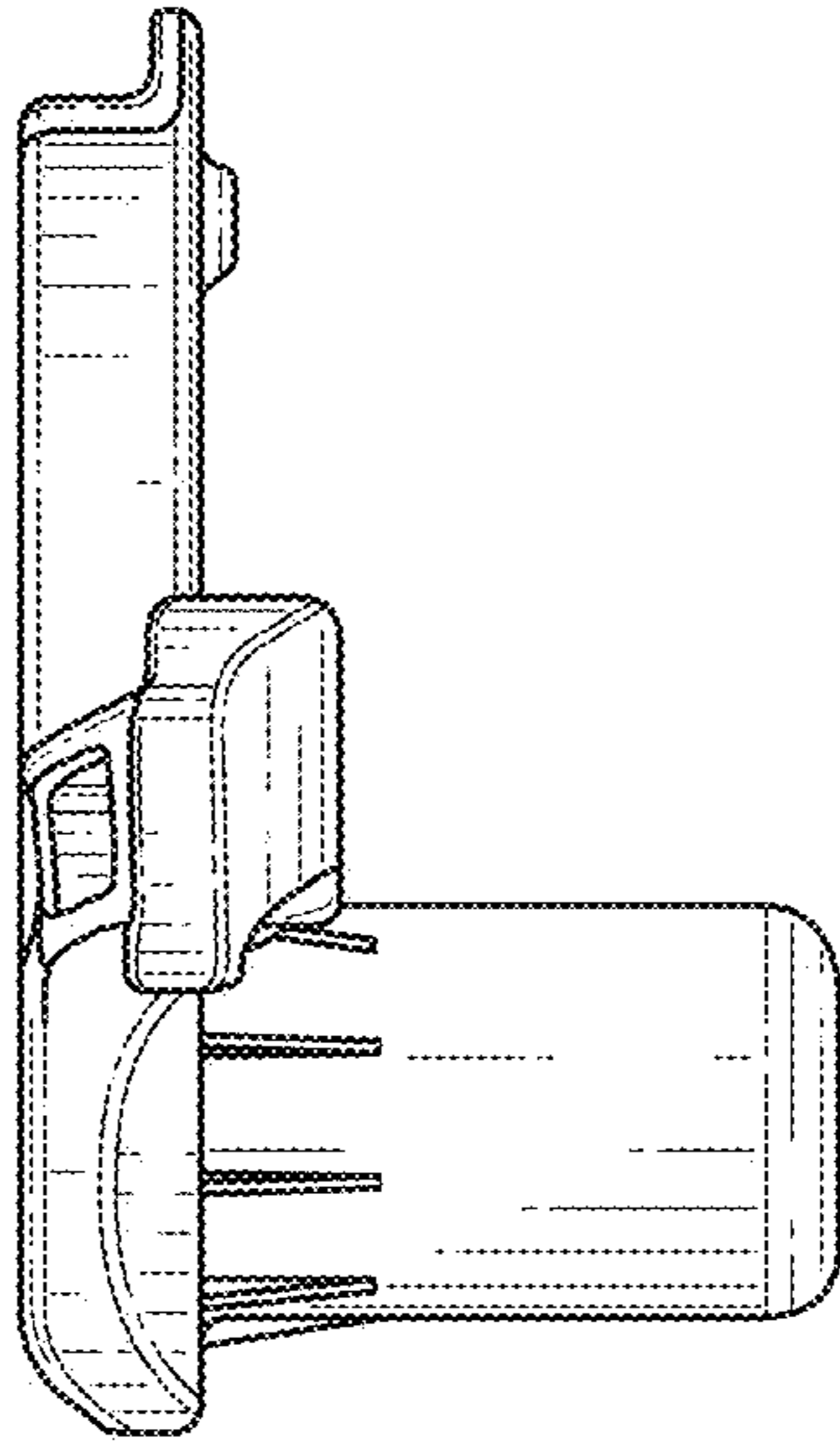


FIG. 6

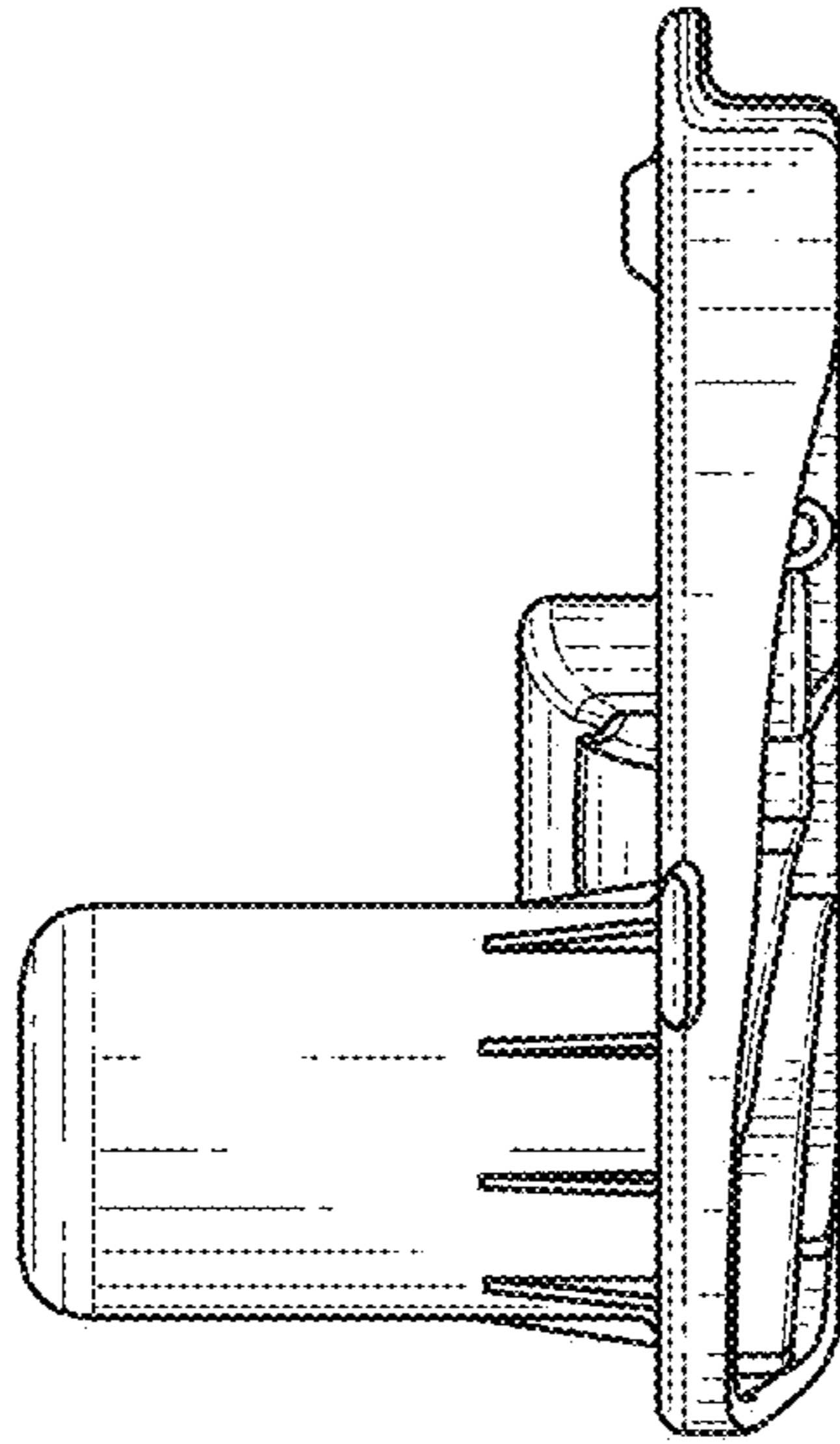


FIG. 7



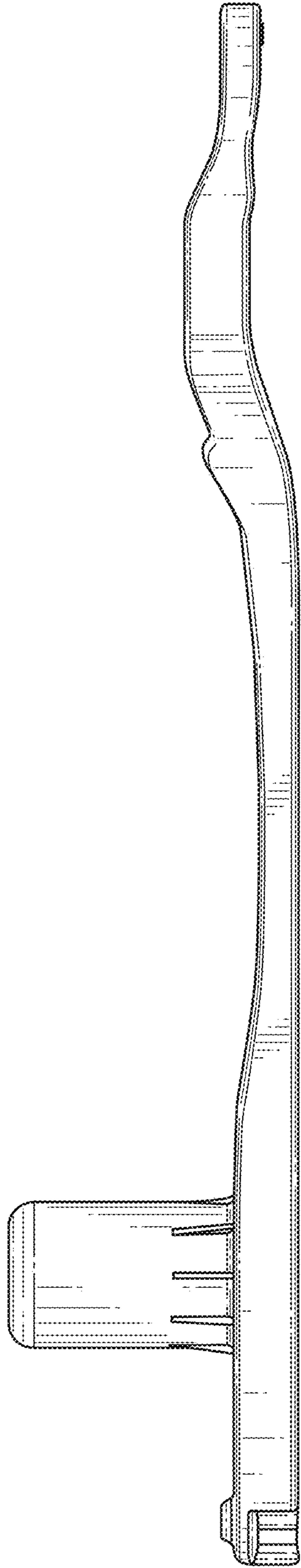


FIG. 8

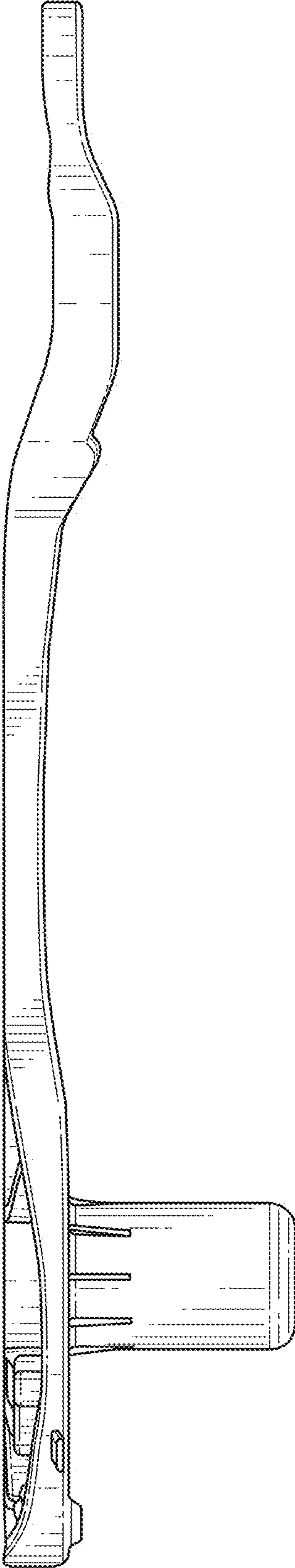


FIG. 9