



US0D1036210S

(12) **United States Design Patent** (10) **Patent No.:** **US D1,036,210 S**
Kurilenok (45) **Date of Patent:** **** Jul. 23, 2024**

(54) **KNIFE BLADE FOR OPENING BAGS**

D391,464 S * 3/1998 Barre D8/99
D454,043 S * 3/2002 Onion D8/20
6,378,569 B1 * 4/2002 Hays B25F 1/003
7/131

(71) Applicant: **Dmitrii Vladimirovich Kurilenok,**
Krasnodar (RU)

(Continued)

(72) Inventor: **Dmitrii Vladimirovich Kurilenok,**
Krasnodar (RU)

FOREIGN PATENT DOCUMENTS

(**) Term: **15 Years**

CN 305879419 * 6/2020
CN 307303233 * 4/2022

(Continued)

(21) Appl. No.: **29/860,061**

OTHER PUBLICATIONS

(22) Filed: **Nov. 16, 2022**

“M9 Fixed Blade Knife” Sep. 9, 2021, Amazon, site visited May 23,
2024: <https://www.amazon.com/dp/B09FTK8RFS> (Year: 2021).*

(51) **LOC (14) Cl.** **08-03**

(Continued)

(52) **U.S. Cl.**

USPC **D8/98; D8/20**

(58) **Field of Classification Search**

USPC D8/12, 16, 19, 20, 92, 93, 98, 99, 102
CPC B26B 1/08; B26B 3/02; B26B 9/00; B26B
11/00; A62B 3/00

See application file for complete search history.

Primary Examiner — Jack Reickel

Assistant Examiner — Sydney M Evans

(74) *Attorney, Agent, or Firm* — Nadya Reingand

(57) **CLAIM**

The ornamental design for a knife blade for opening bags, as
shown and described.

(56) **References Cited**

DESCRIPTION

U.S. PATENT DOCUMENTS

159,841 A * 2/1875 Livingston Price B26B 11/00
30/353
845,792 A * 3/1907 Jenkins B26B 1/08
30/162
979,686 A * 12/1910 Nelson et al. B26B 11/00
30/240
1,411,649 A * 4/1922 Vincent B26B 1/08
30/163
D155,087 S * 9/1949 Gordenier D8/102
2,879,591 A * 3/1959 Bennett B26B 11/00
43/43.1
D275,166 S * 8/1984 Laslo D7/650
D310,015 S * 8/1990 Evenson D8/102
D336,840 S * 6/1993 Thompson D8/99
D382,189 S * 8/1997 Viele D8/99

FIG. 1 is a perspective view of a knife blade for opening
bags;

FIG. 2 is a top view of the knife blade for opening bags;

FIG. 3 is a bottom view of the knife blade for opening bags;

FIG. 4 is a left view of the knife blade for opening bags;

FIG. 5 is a right view of the knife blade for opening bags;

FIG. 6 is a front view of the knife blade for opening bags;

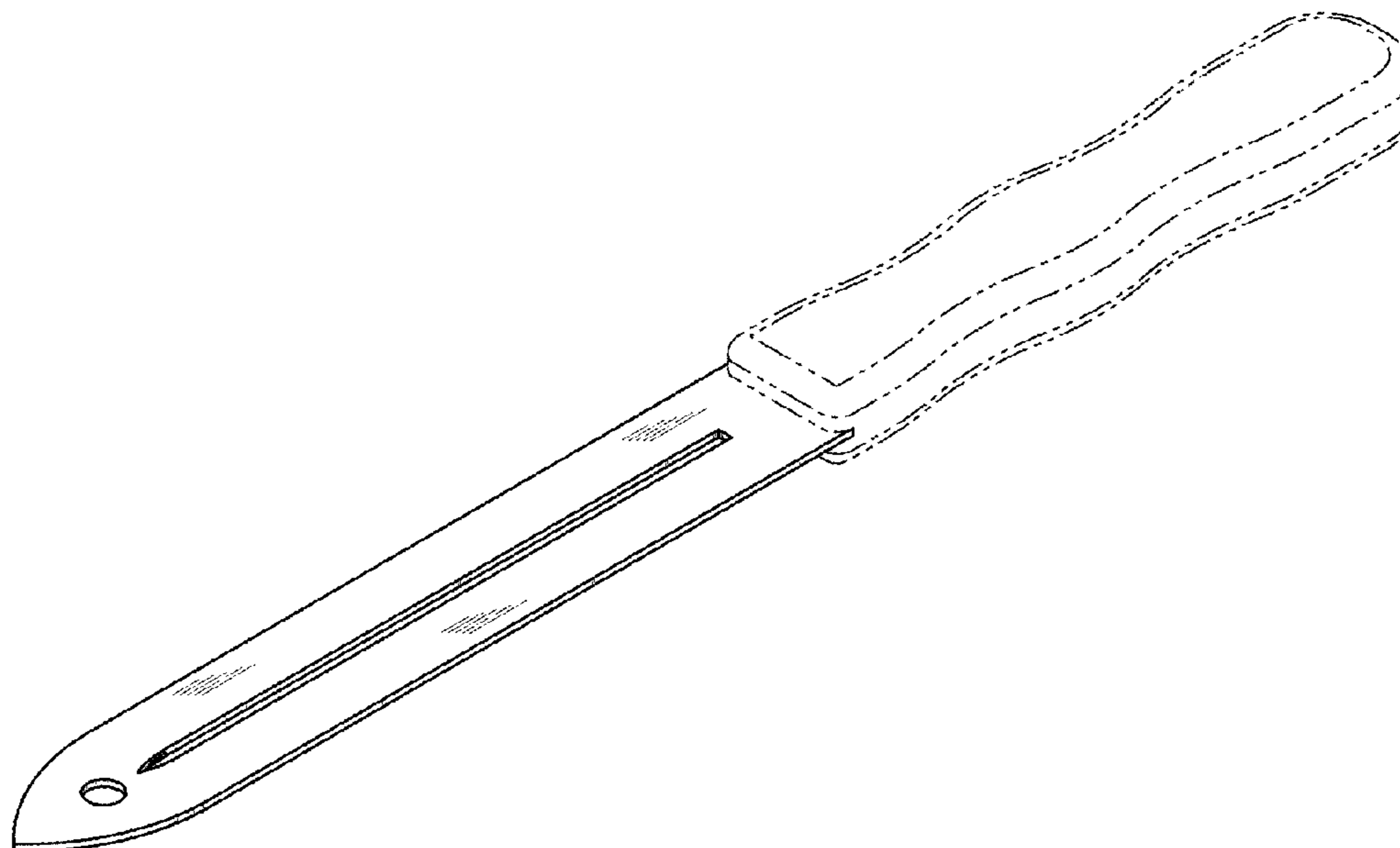
FIG. 7 is a rear view of the knife blade for opening bags;

and,

FIG. 8 is a perspective cross-sectional view of the knife
blade for opening bags.

The broken lines in the FIGS. 1-7 illustrate elements that
form no parts of the claimed design.

1 Claim, 4 Drawing Sheets



(56)

References Cited

U.S. PATENT DOCUMENTS

D475,575	S *	6/2003	Mendenhall	D7/412
8,671,578	B1 *	3/2014	Frazer	B26B 1/08 30/162
D903,460	S *	12/2020	Marfione	D8/99
D986,023	S *	5/2023	Hawk	D8/99
2007/0175045	A1 *	8/2007	McHenry	B26B 1/08 30/162
2008/0222895	A1 *	9/2008	Marfione	B26B 11/00 30/151
2013/0305542	A1 *	11/2013	McChesney	B26B 1/08 30/162
2020/0156268	A1 *	5/2020	Delplanche	B26B 1/08
2022/0055233	A1 *	2/2022	Delplanche	B26B 1/08
2023/0286180	A1 *	9/2023	Elishewitz	B26B 1/02

FOREIGN PATENT DOCUMENTS

GB	6326482	* 11/2023
JP	D1754541	* 10/2023

OTHER PUBLICATIONS

“Tactical Knife Hunting Knife” Jul. 26, 2022, Amazon, site visited May 23, 2024: <https://www.amazon.com/Tactical-Survival-Accessories-Equipment-TKF202BK/dp/B0B7QF7V6L> (Year: 2022).*

“Andre De Villiers Knives Brutus Ring Dagger” May 23, 2024, KnifeCenter, site visited May 23, 2024: <https://www.knifecenter.com/item/ADVDAGS35BK/andre-de-villiers-knives-brutus-ring-dagger-fixed-blade-knife-s35vn-black-cerakote-serrated-plain-double-edge-dagger-black-titanium-handle-with-pinky-ring-car> (Year: 2024).*

“Mini Bag Opener” Feb. 5, 2019, Lion, site visited May 30, 2024: <https://web.archive.org/web/20190205015303/https://www.lionop.com/mini-bag-opener/> (Year: 2019).*

“San Jamar BB100 Bag Boa Bag Cutter” Mar. 1, 2018, Amazon, site visited May 30, 2024: <https://www.amazon.com/San-Jamar-BB100-Cutter-Polypropylene/dp/B07B5Q4Q93> (Year: 2018).*

“Pouchmate Red Plastic Food Pouch Bag Cutter Opener” Jan. 8, 2020, Amazon, site visited May 30, 2024: <https://www.amazon.com/Pouchmate-Plastic-Commerical-Kitchens-Restaurants/dp/B083NN8GCR> (Year: 2020).*

* cited by examiner

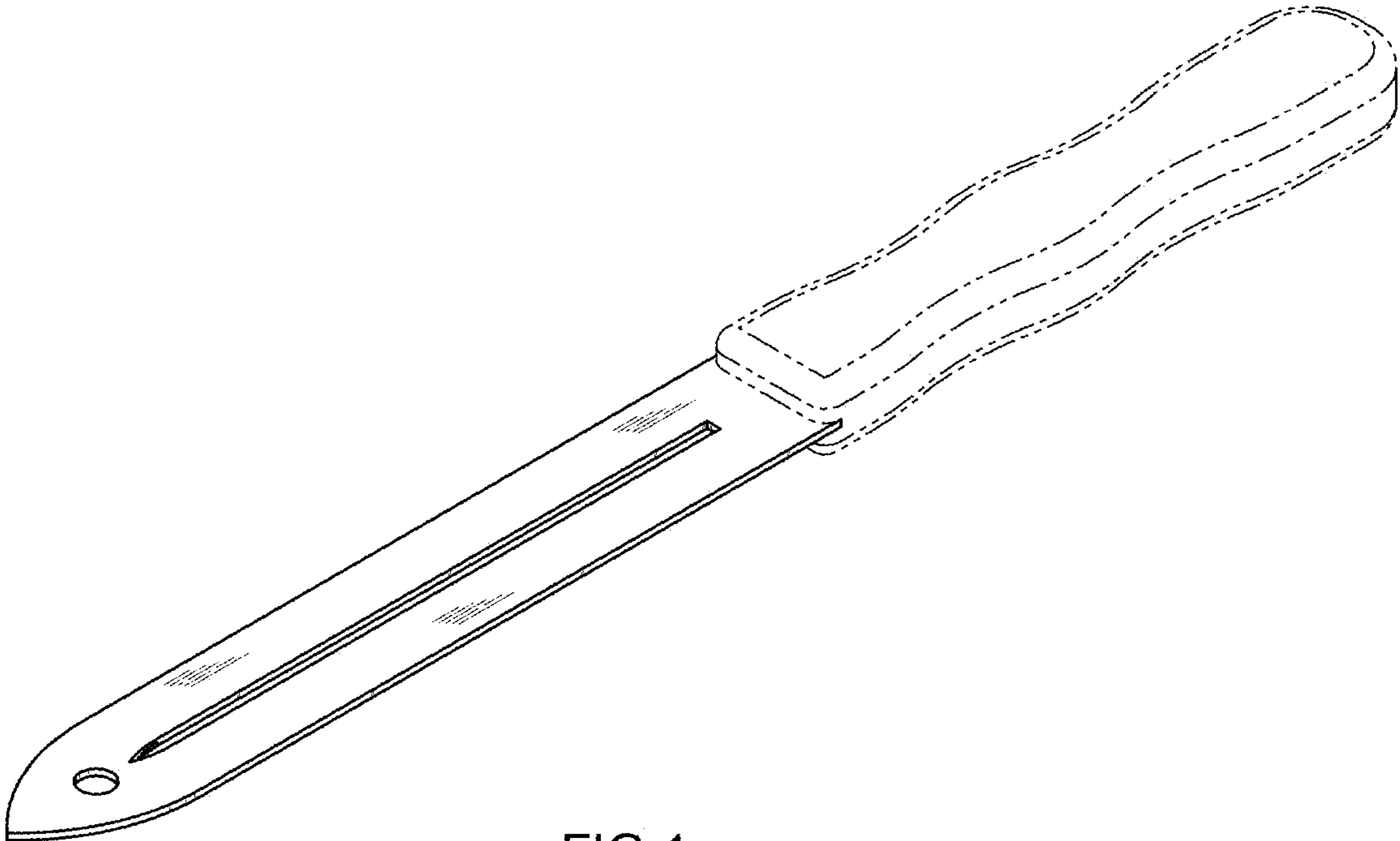


FIG.1

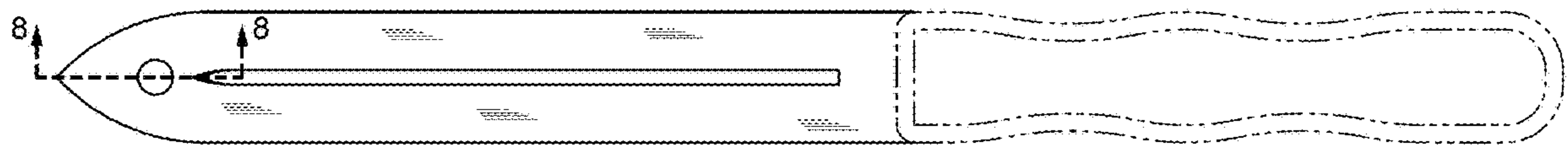


FIG. 2

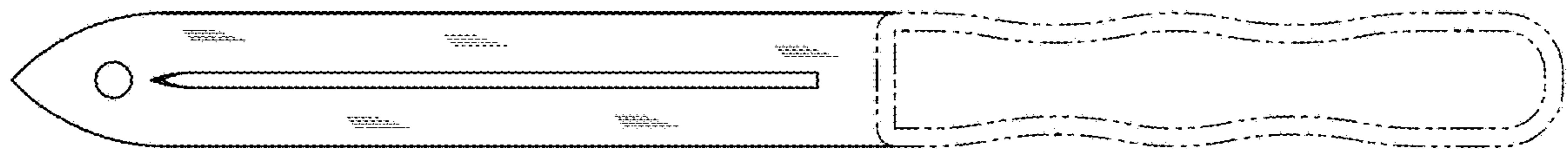


FIG. 3

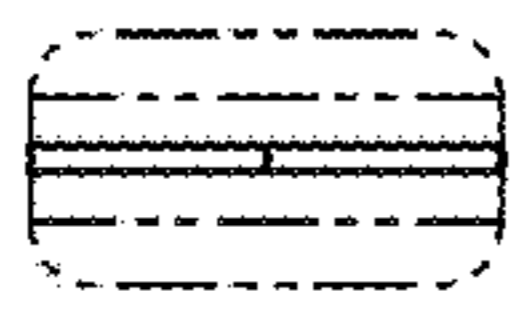


FIG. 4

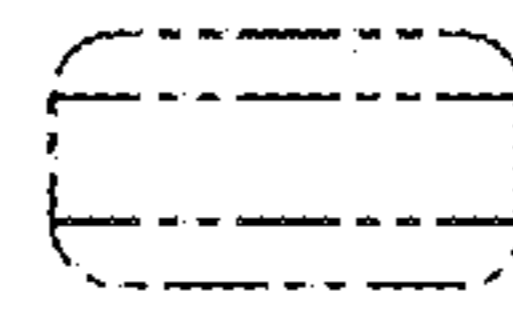


FIG. 5

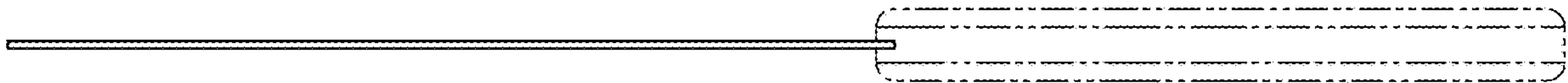


FIG. 6

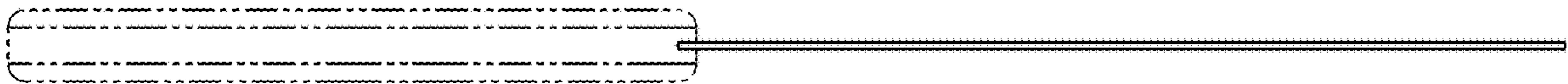


FIG. 7

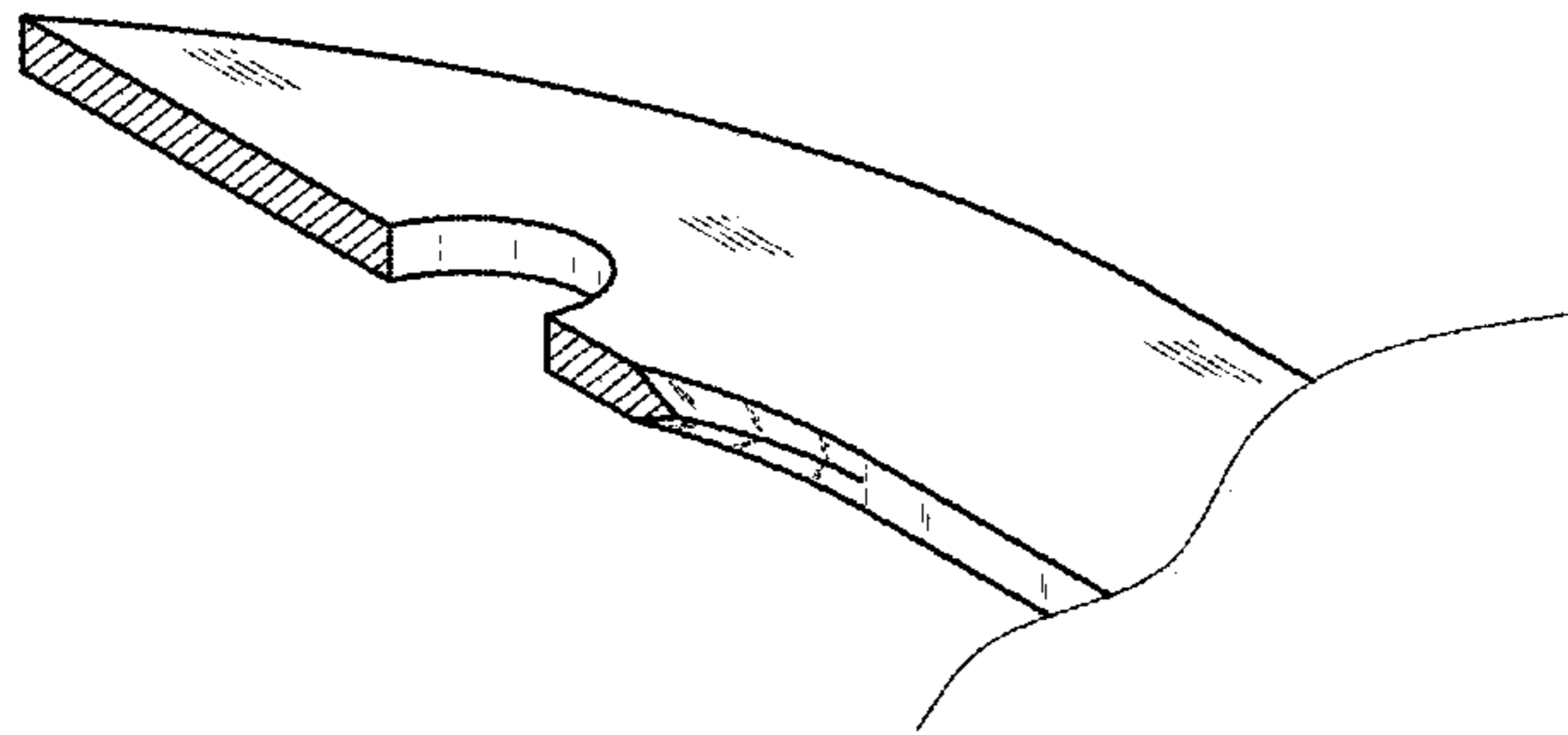


FIG.8