



US0D1036205S

(12) **United States Design Patent** (10) **Patent No.:** **US D1,036,205 S**
Vagner (45) **Date of Patent:** **** Jul. 23, 2024**

(54) **WATER BOTTLE**

FOREIGN PATENT DOCUMENTS

(71) Applicant: **Natalia Konstantinovna Vagner**,
Dallas, TX (US)

CN 3487020 * 11/2005
CN 308224316 * 9/2023

(72) Inventor: **Natalia Konstantinovna Vagner**,
Dallas, TX (US)

OTHER PUBLICATIONS

(**) Term: **15 Years**

Collapsible Water Bottle, Onta, date first available Mar. 15, 2019 [online], [site visited Jan. 26, 2024], available from the internet URL: <https://www.amazon.com/> (Year: 2019).*

(21) Appl. No.: **29/865,639**

Ribbed Glass Water Bottles with Time Markers, Fit Strong and Healthy, announced in YouTube on Dec. 15, 2022 [online], [site visited Jan. 26, 2024], available from the internet URL: <https://www.youtube.com/> (Year: 2022).*

(22) Filed: **Aug. 5, 2022**

(51) **LOC (14) Cl.** **07-01**

(52) **U.S. Cl.**
USPC **D7/510; D7/511**

* cited by examiner

(58) **Field of Classification Search**
USPC D7/300.2, 507, 509-511, 523, 532,
D7/601-602, 605, 608, 619.1, 622;
D9/500, 530, 553, 772

Primary Examiner — Janice Patyk

Assistant Examiner — Ji Sun Yoon

(74) *Attorney, Agent, or Firm* — Vladimir Postnikov

CPC A45C 11/20; A47G 19/22; A47G 19/2227;
A47G 19/2272; A47J 41/00; B65D
81/3881; B65D 81/3883

(57) **CLAIM**

See application file for complete search history.

The ornamental design for a water bottle, as shown and described.

(56) **References Cited**

DESCRIPTION

U.S. PATENT DOCUMENTS

D370,388 S * 6/1996 Cusick D24/197
D464,569 S * 10/2002 Moore D9/557
D661,549 S * 6/2012 Kemper D7/505
D663,624 S * 7/2012 Eble D9/557
8,672,174 B1 * 3/2014 McMullin B65D 47/305
222/533
D721,921 S * 2/2015 Stokols D7/511
D798,664 S * 10/2017 Kristinik D7/509
D806,477 S * 1/2018 Wray D7/509
D914,504 S * 3/2021 Brulhart D9/504
D918,660 S * 5/2021 Cui D7/532
D925,288 S * 7/2021 Peng D7/532
D988,077 S * 6/2023 Li D7/392.1

FIG. 1 is a perspective view of a water bottle, showing my new design;

FIG. 2 is a right view thereof;

FIG. 3 is a left view thereof;

FIG. 4 is a front view thereof;

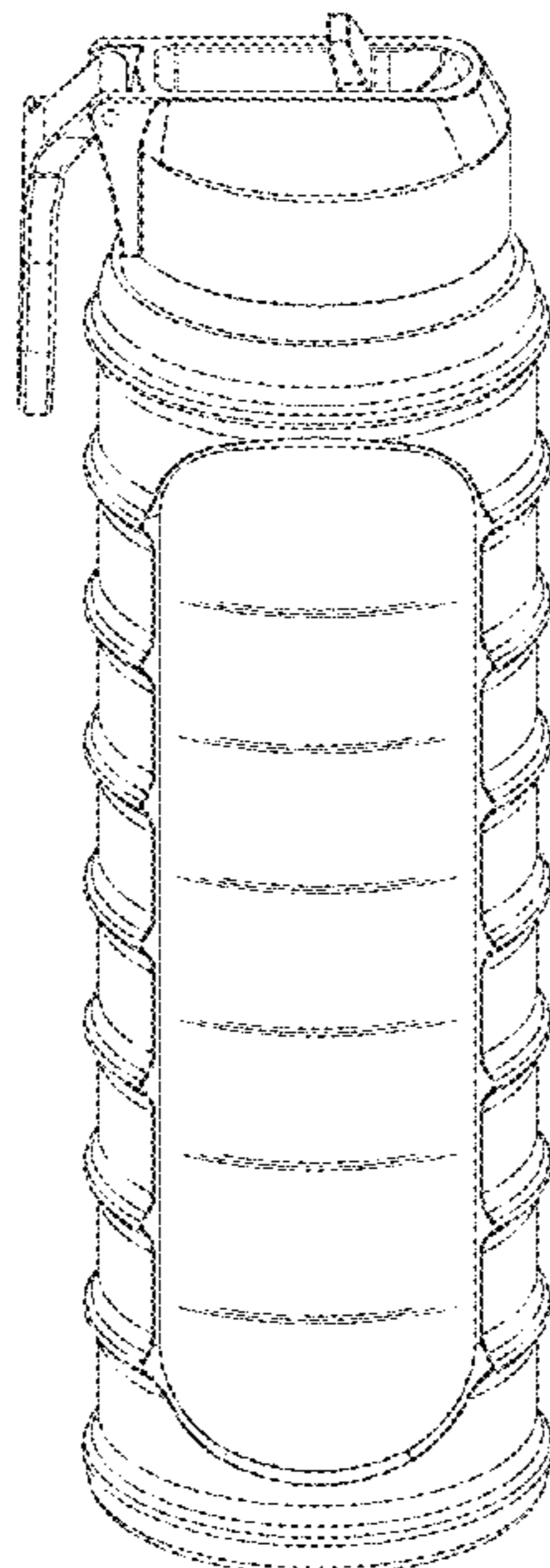
FIG. 5 is a back view thereof;

FIG. 6 is a top view thereof; and,

FIG. 7 is a bottom view thereof.

The broken lines in the figures illustrate the portions of the water bottle that form no part of the claimed design.

1 Claim, 7 Drawing Sheets



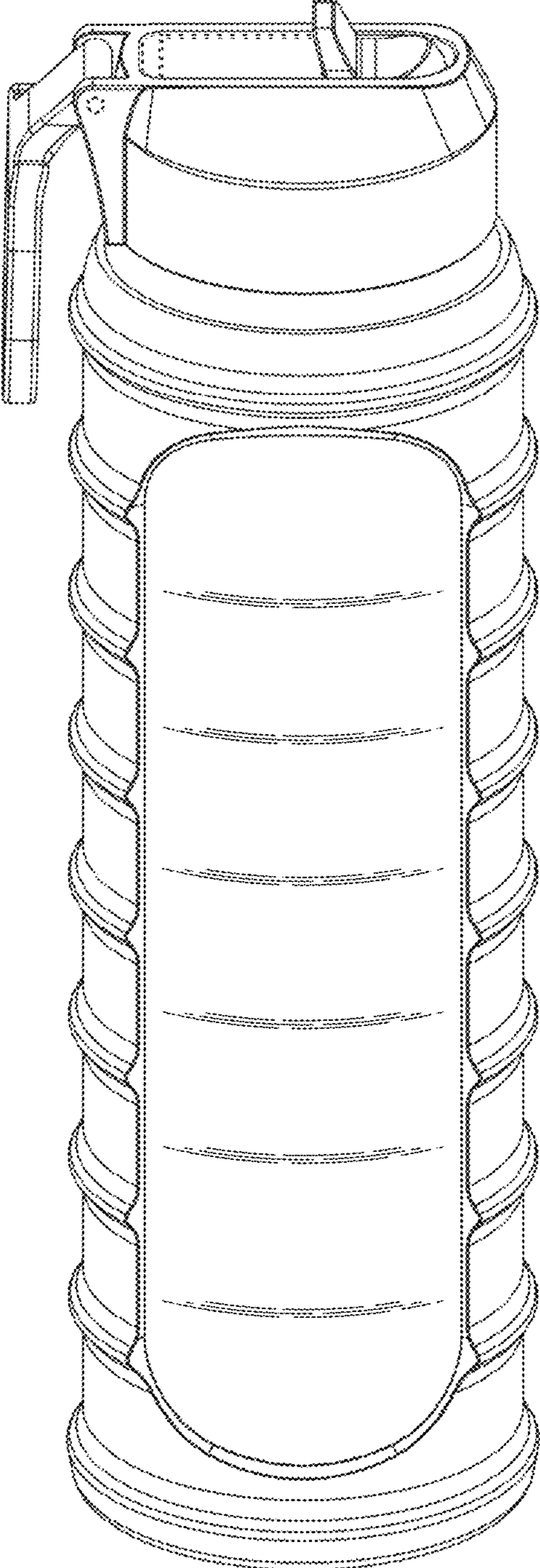


FIG. 1

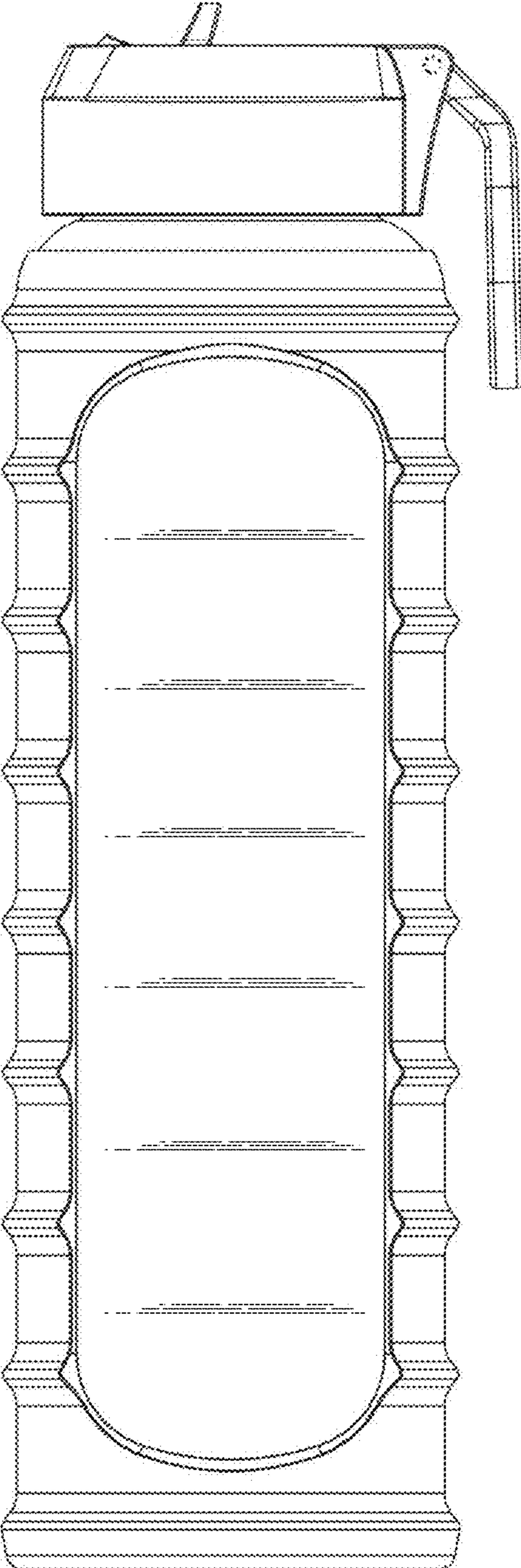


FIG. 2

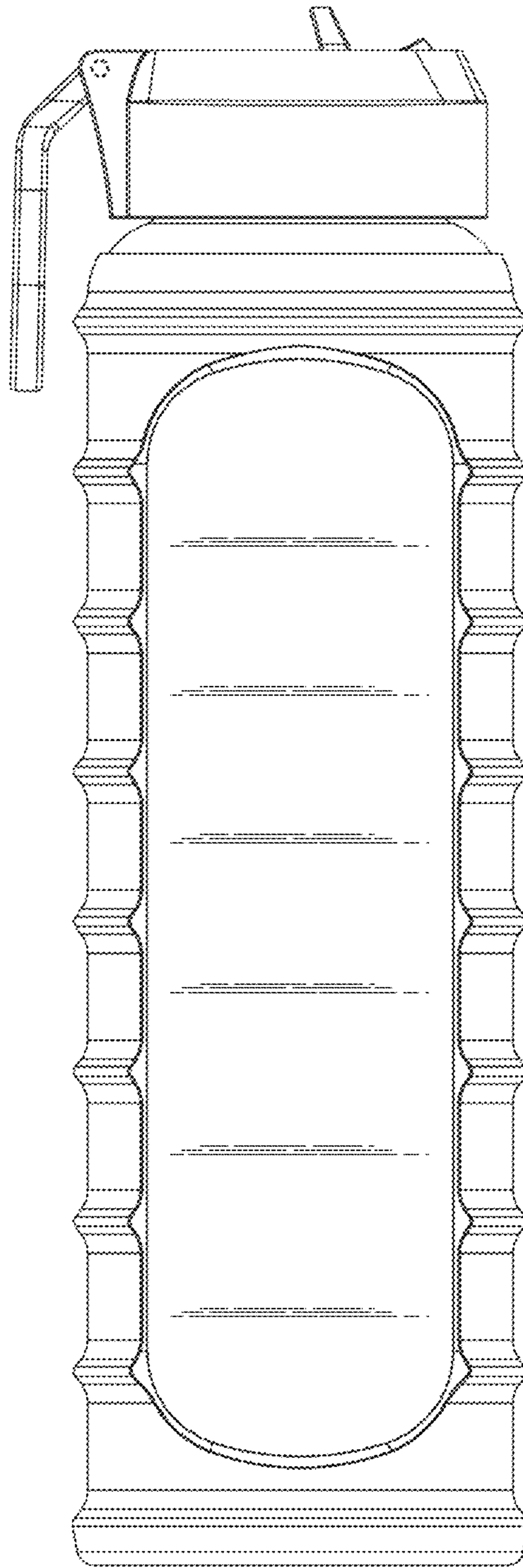


FIG. 3

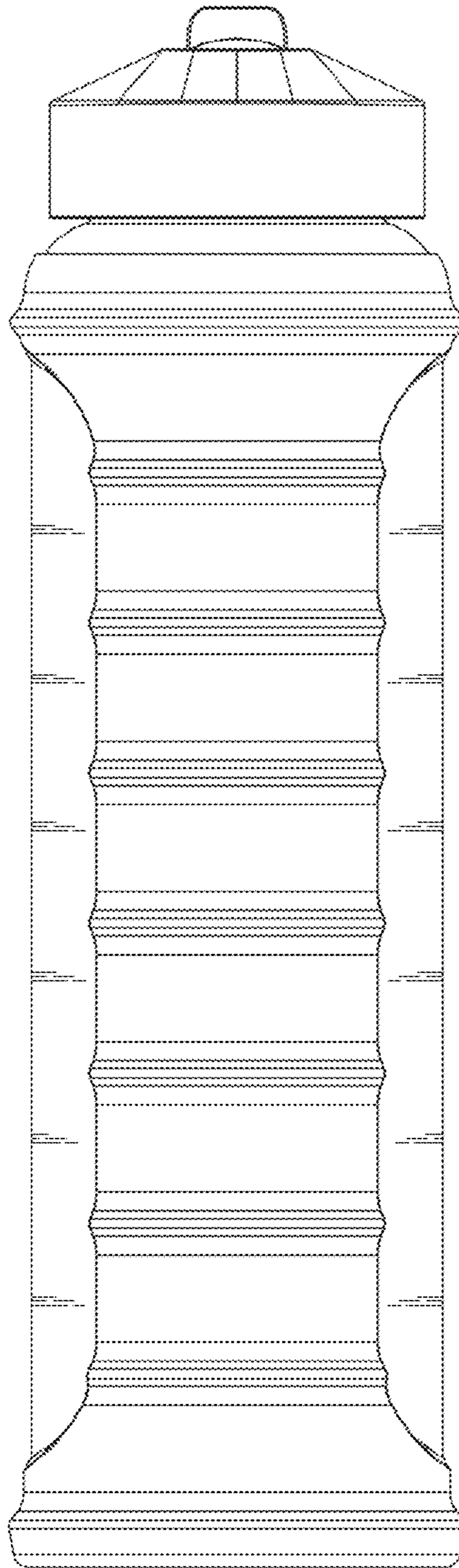


FIG. 4

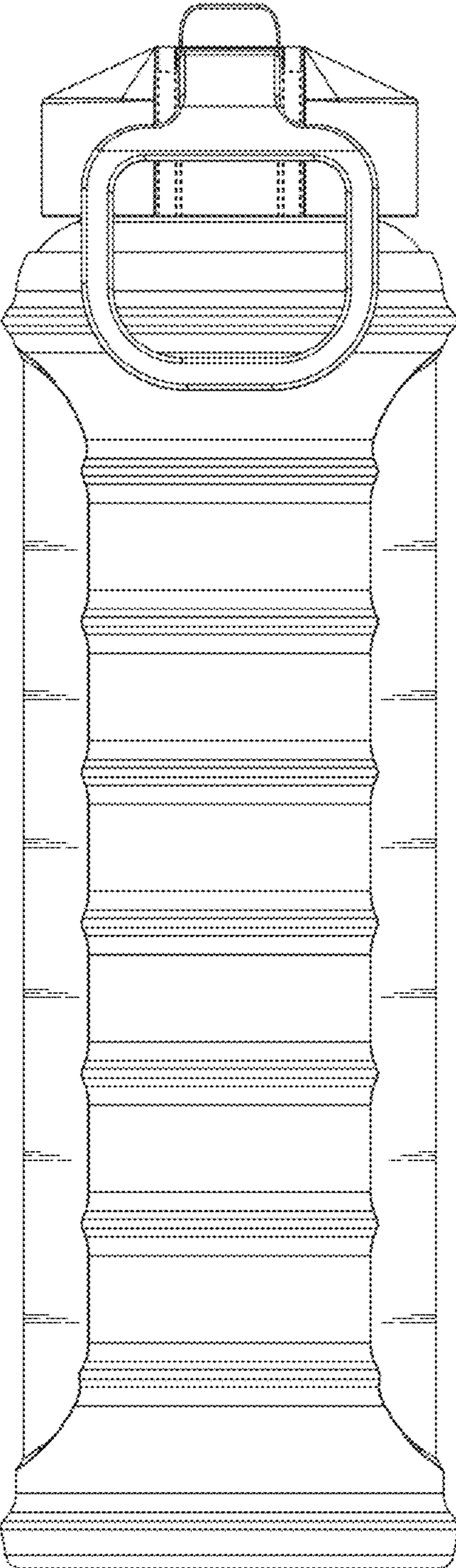


FIG. 5

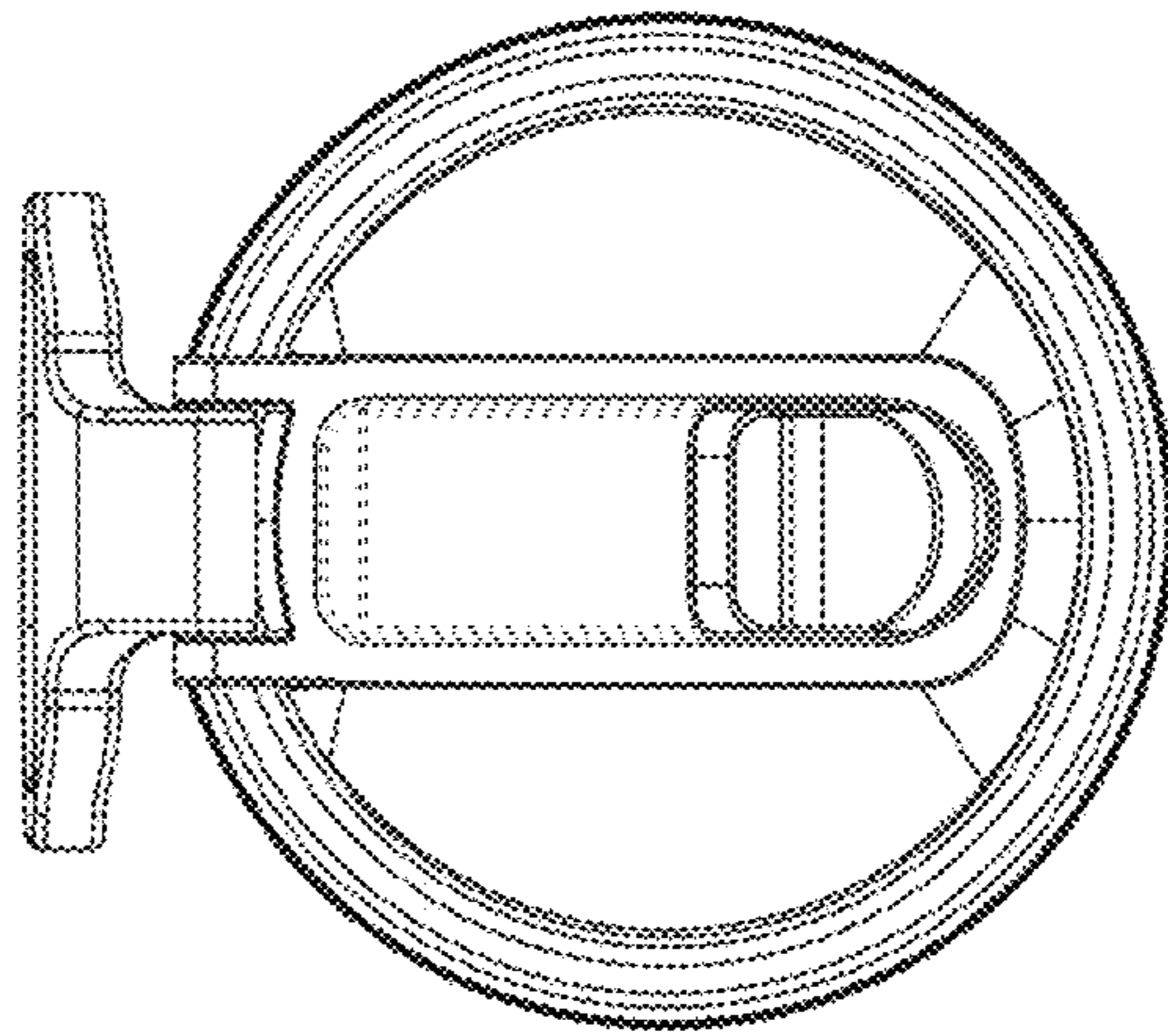


FIG. 6

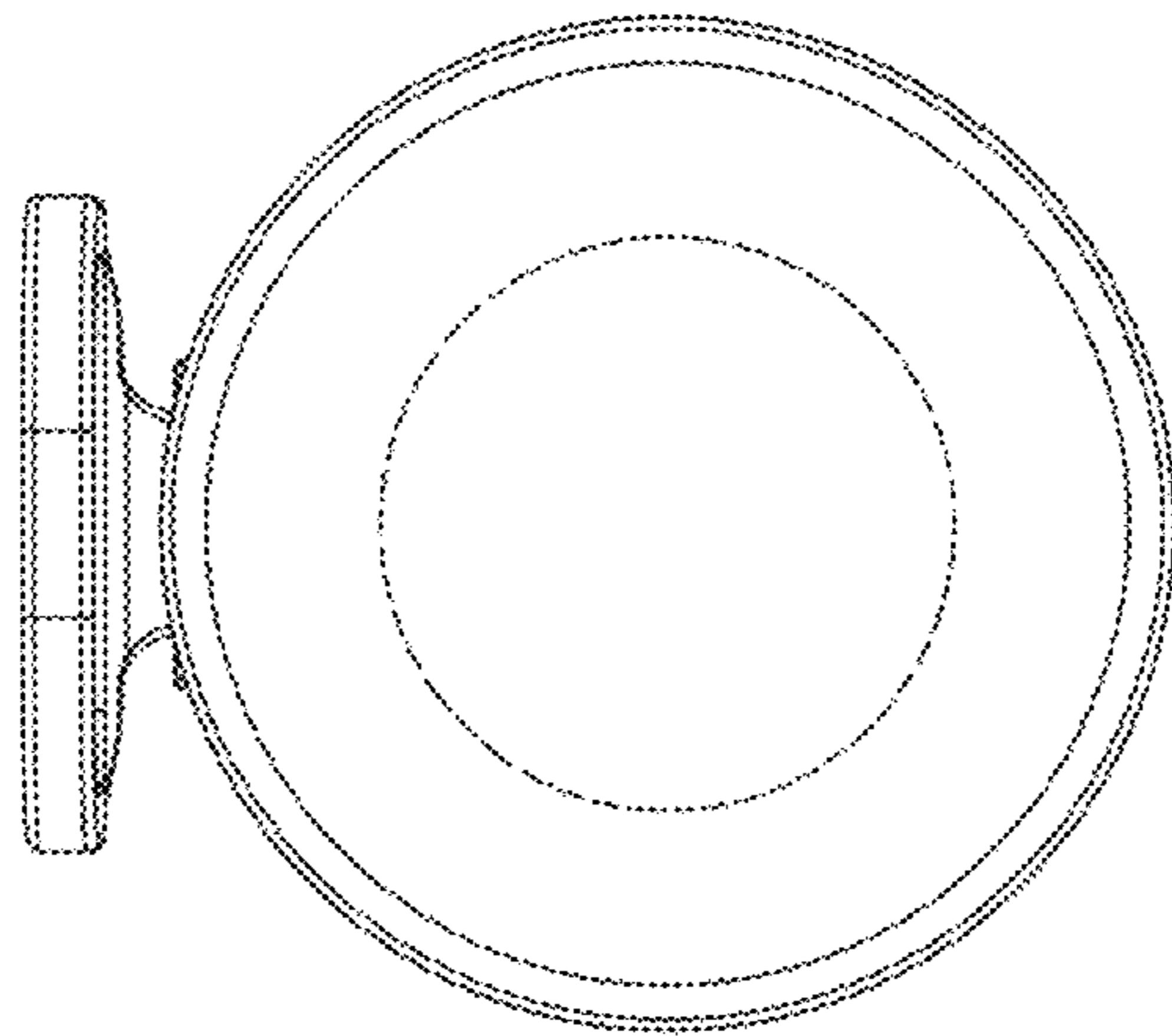


FIG. 7