



US0D1035942S

(12) **United States Design Patent** (10) **Patent No.:** **US D1,035,942 S**  
**Green et al.** (45) **Date of Patent:** **\*\* Jul. 16, 2024**

- (54) **WORK LIGHT**
- (71) Applicant: **Home Depot Product Authority, LLC**,  
Atlanta, GA (US)
- (72) Inventors: **Adam Green**, Marietta, GA (US);  
**Bernard Scott, II**, Lawrenceville, GA  
(US)
- (73) Assignee: **Home Depot Product Authority, LLC**,  
Atlanta, GA (US)
- (\*\*) Term: **15 Years**
- (21) Appl. No.: **29/839,636**
- (22) Filed: **May 23, 2022**

**Related U.S. Application Data**

- (63) Continuation of application No. 29/637,856, filed on  
Feb. 22, 2018, now Pat. No. Des. 952,922.
- (51) **LOC (14) Cl.** ..... **26-02**
- (52) **U.S. Cl.**  
USPC ..... **D26/37**
- (58) **Field of Classification Search**  
USPC ..... D26/37-51  
CPC ..... F21L 2003/00; F21L 4/00; F21L 4/005;  
F21L 4/02; F21L 4/025; F21L 4/027;  
F21L 4/04; F21L 4/08; F21L 2005/00;  
F21L 7/00; F21L 11/00; F21L 13/00;  
F21L 13/04; F21L 13/08; F21L 14/02;  
F21L 17/00; F21L 19/00; F21L 25/00  
See application file for complete search history.

(56) **References Cited**

**U.S. PATENT DOCUMENTS**

- D332,839 S \* 1/1993 Beckner, Jr. .... D26/37
- D361,633 S \* 8/1995 Chabria ..... D26/37
- D721,841 S \* 1/2015 Kwon ..... D26/37

- D742,568 S \* 11/2015 Abernethy ..... D26/42
- D752,792 S \* 3/2016 Grandadam ..... D26/42
- D757,971 S \* 5/2016 Kovacik ..... D26/37
- D757,972 S \* 5/2016 Caito ..... D26/42
- D760,927 S \* 7/2016 Bao ..... D26/37
- D768,897 S \* 10/2016 Cooper ..... D26/37
- D794,234 S \* 8/2017 Levy ..... D26/37
- D802,813 S \* 11/2017 Li ..... D26/51
- D803,444 S \* 11/2017 Green ..... D26/49
- D805,666 S \* 12/2017 Nguyen ..... D26/37
- D806,294 S \* 12/2017 Nguyen ..... D26/37
- D809,169 S \* 1/2018 Grandadam ..... D26/42
- D810,335 S \* 2/2018 Levy ..... D26/37
- D821,007 S \* 6/2018 Chen ..... D26/39
- D831,248 S \* 10/2018 Kuhls ..... D26/37
- D835,821 S \* 12/2018 Bao ..... D26/44
- D836,064 S \* 12/2018 Liu ..... D13/102
- D840,075 S \* 2/2019 Bao ..... D26/44
- D850,684 S \* 6/2019 Zhang ..... D26/44
- D851,307 S \* 6/2019 Sharrah ..... D26/39
- D854,207 S \* 7/2019 Zheng ..... D26/44
- D878,650 S \* 3/2020 Grandadam ..... D26/42

(Continued)

*Primary Examiner* — Marissa J Cash  
*Assistant Examiner* — William B Melliar  
(74) *Attorney, Agent, or Firm* — Greenberg Traurig, LLP

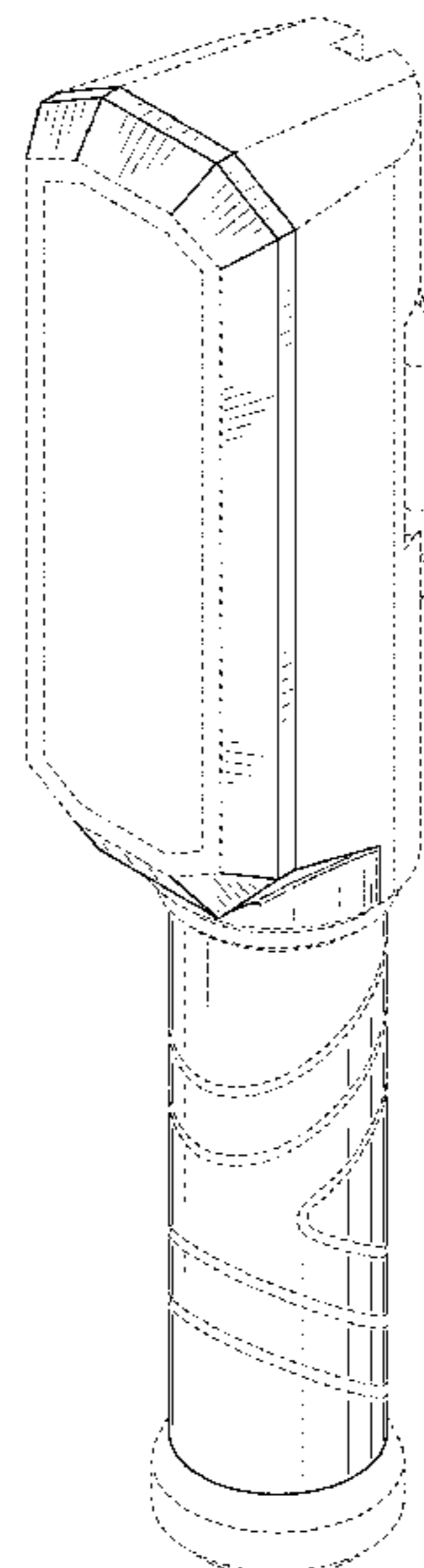
(57) **CLAIM**

We claim the ornamental design for a work light, as shown and described.

**DESCRIPTION**

FIG. 1 is a front perspective view of our work light;  
FIG. 2 is a front view thereof;  
FIG. 3 is a rear view thereof;  
FIG. 4 is a left side view thereof;  
FIG. 5 is a right side view thereof;  
FIG. 6 is a top view thereof; and,  
FIG. 7 is a bottom view thereof.  
The dashed lines in the figures depict portions of the work light that form no part of the claimed design.

**1 Claim, 4 Drawing Sheets**



(56)

**References Cited**

U.S. PATENT DOCUMENTS

D882,838	S	*	4/2020	Mao	.....	D26/37
D889,711	S	*	7/2020	Green	.....	D26/37
D889,714	S	*	7/2020	Green	.....	D26/43
D891,662	S	*	7/2020	Poffler	.....	D26/46
D904,657	S	*	12/2020	Proeber	.....	D26/42
D932,077	S	*	9/2021	Green	.....	D26/37
D936,881	S	*	11/2021	Eichelberger	.....	D26/44
D952,922	S	*	5/2022	Green	.....	D26/42

\* cited by examiner

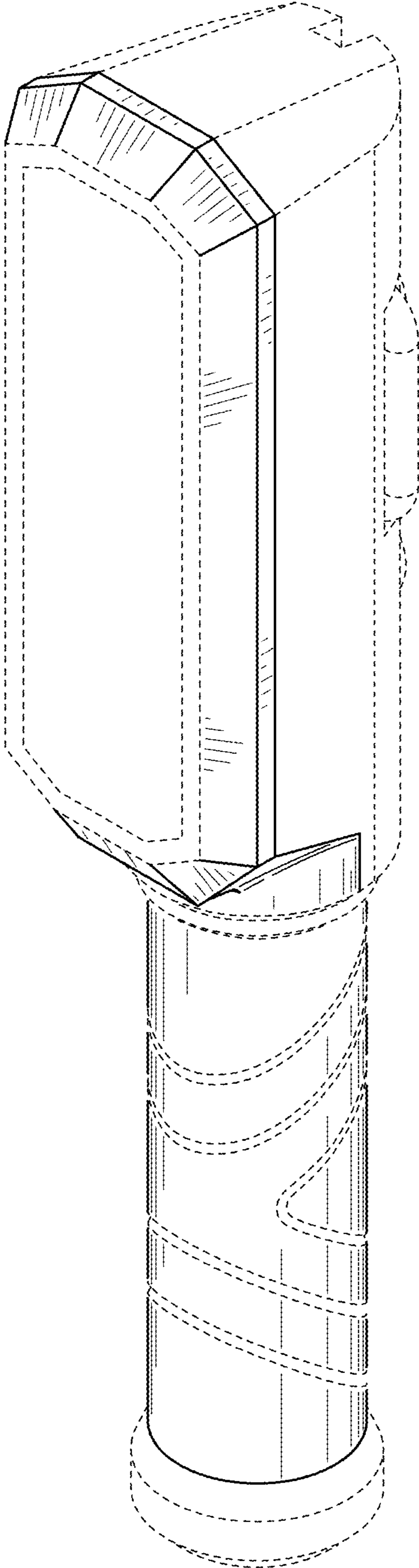


FIG. 1

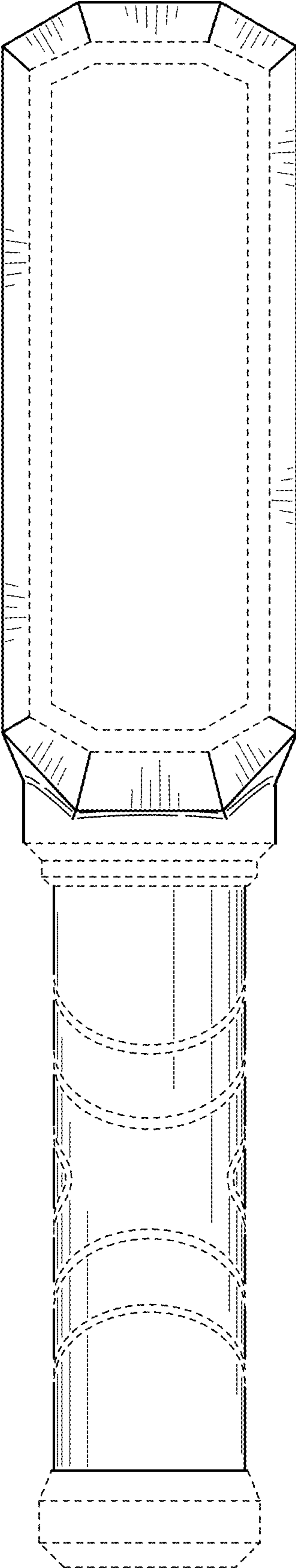


FIG. 2

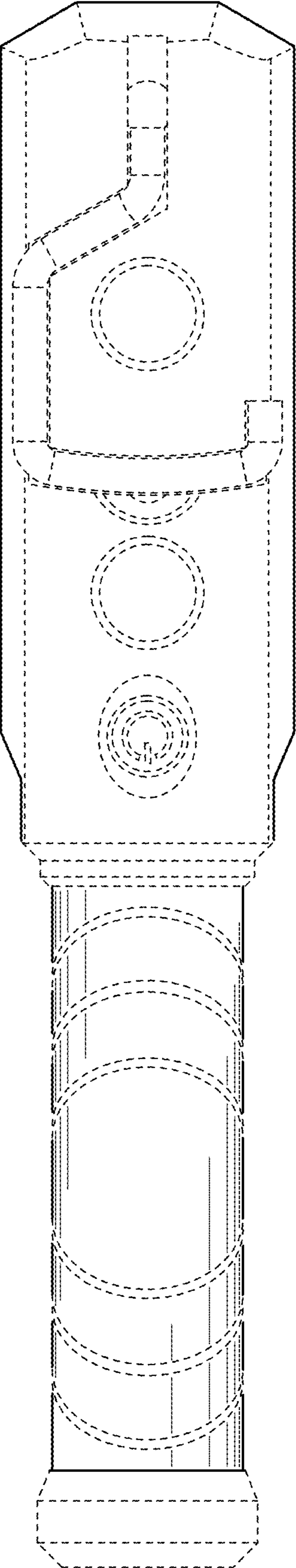


FIG. 3

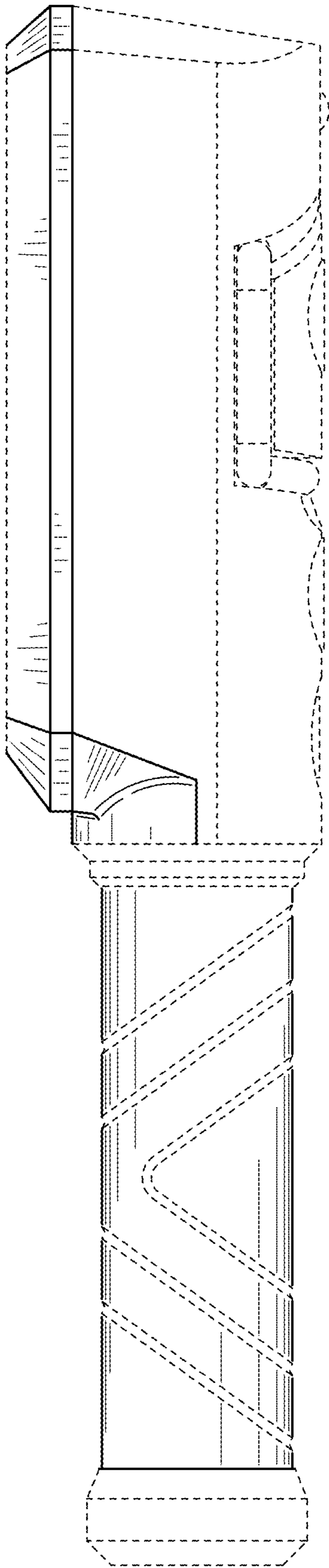


FIG. 4

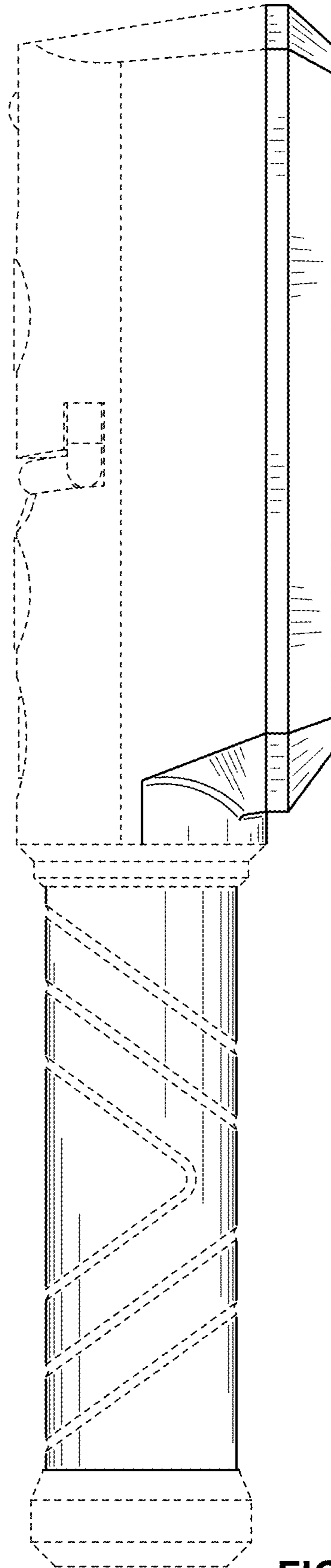


FIG. 5



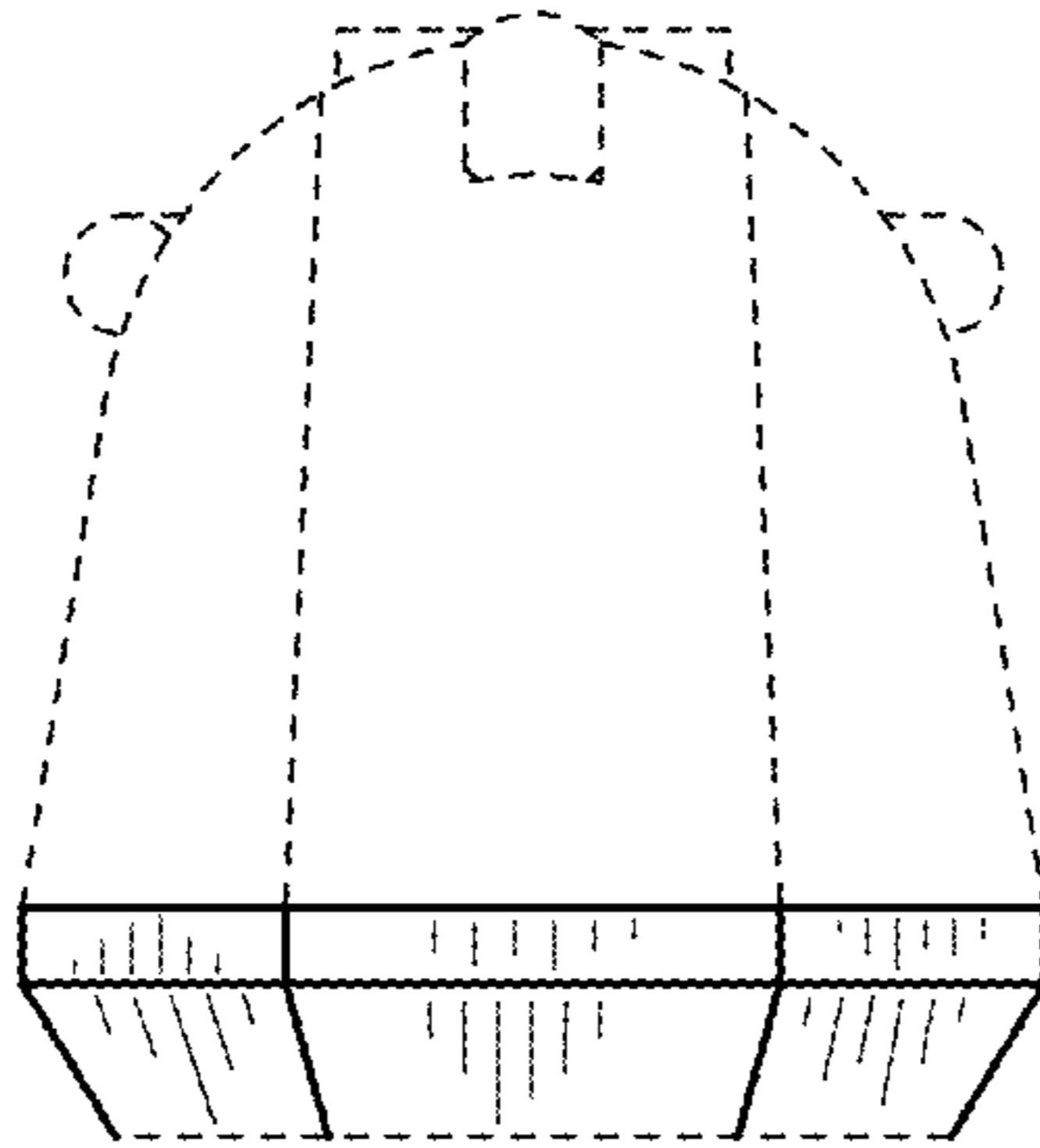


FIG. 6

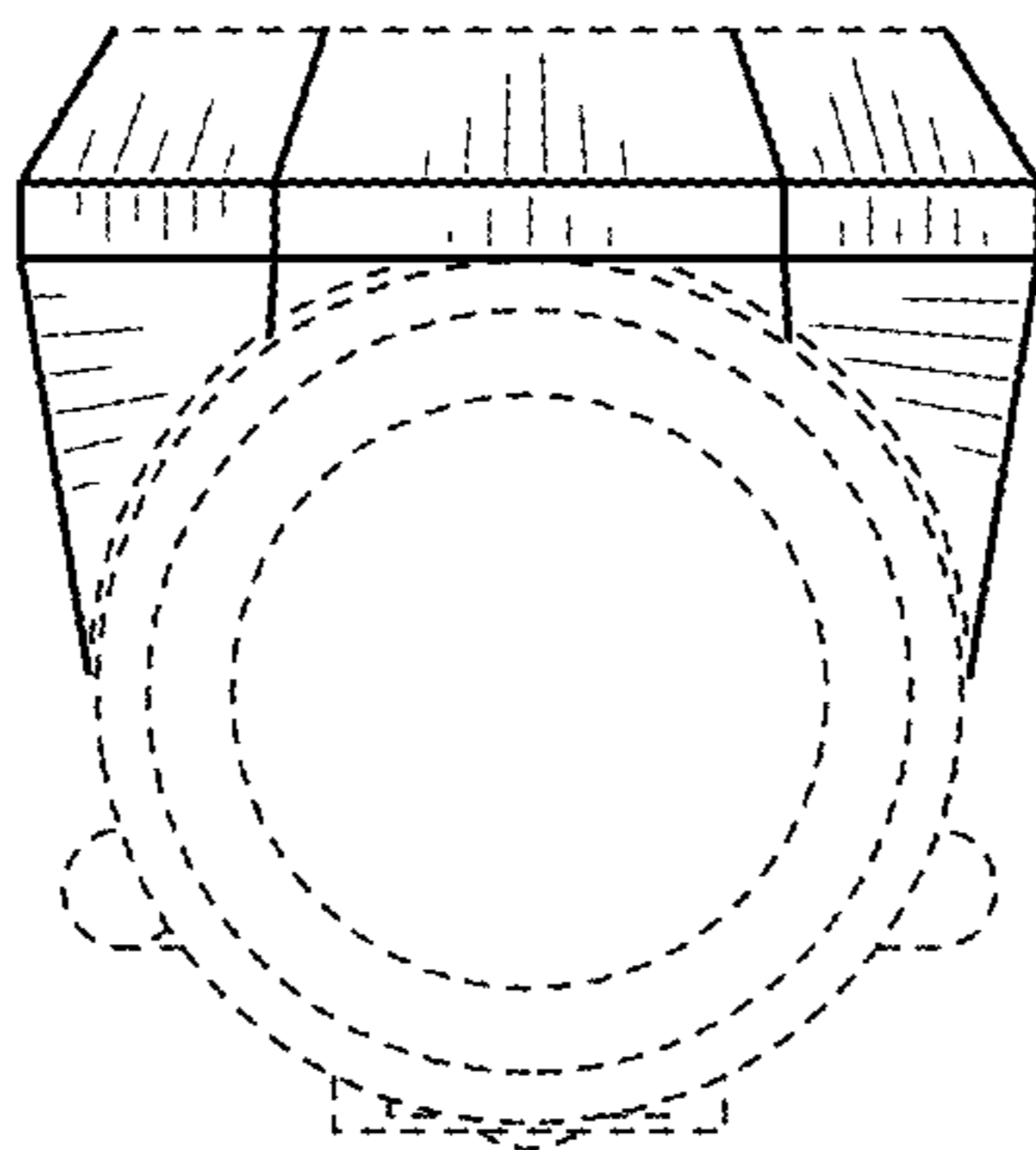


FIG. 7