



US0D1035849S

(12) **United States Design Patent** (10) **Patent No.:** **US D1,035,849 S**
Weilert et al. (45) **Date of Patent:** **** Jul. 16, 2024**

(54) **HEATER**

(71) Applicant: **SOLO BRANDS, LLC**, Grapevine, TX (US)

(72) Inventors: **Jeffrey R. Weilert**, Southlake, TX (US); **Alexander K. Maghsadi**, Lewisville, TX (US)

(73) Assignee: **SOLO BRANDS, LLC**, Grapevine, TX (US)

(**) Term: **15 Years**

(21) Appl. No.: **29/865,797**

(22) Filed: **Aug. 12, 2022**

(51) **LOC (14) Cl.** **23-03**

(52) **U.S. Cl.**
USPC **D23/342**

(58) **Field of Classification Search**
USPC D23/314, 317, 329, 332, 334, 335, 336, D23/337, 338, 339, 340, 342, 343
(Continued)

(56) **References Cited**

U.S. PATENT DOCUMENTS

168,047 A * 9/1875 Perry et al. F23B 5/00
126/7
D289,195 S * 4/1987 Desautels D23/343
(Continued)

FOREIGN PATENT DOCUMENTS

DE 102010007478 A1 8/2011
DE 102013100971 A1 7/2014
(Continued)

OTHER PUBLICATIONS

Wood Pellet Products, Web page <https://woodpelletproducts.com/product/wood-pellet-patio-heater/>, 1 page, retrieved from Internet on Aug. 12, 2022.

(Continued)

Primary Examiner — Ania Aman

(74) Attorney, Agent, or Firm — HAYNES AND BOONE, LLP

(57) **CLAIM**

The ornamental design for a heater, as shown and described.

DESCRIPTION

This application is related to U.S. Design patent application Ser. No. 29/865,800, filed Aug. 12, 2022, entitled COMBUSTOR, the entire disclosure of which is hereby incorporated herein by reference.

This application is also related to U.S. Design patent application Ser. No. 29/865,801, filed Aug. 12, 2022, entitled Heat Reflector, the entire disclosure of which is hereby incorporated herein by reference.

This application is also related to U.S. patent application Ser. No. 17/887,190, filed Aug. 12, 2022, entitled Outdoor Heater, the entire disclosure of which is hereby incorporated herein by reference.

FIG. 1 is a top-front-right perspective view of a heater showing our new design;

FIG. 2 is a front view thereof;

FIG. 3 is a rear view thereof;

FIG. 4 is a right side view thereof;

FIG. 5 is a left side view thereof;

FIG. 6 is a top view thereof;

FIG. 7 is a bottom view thereof; and,

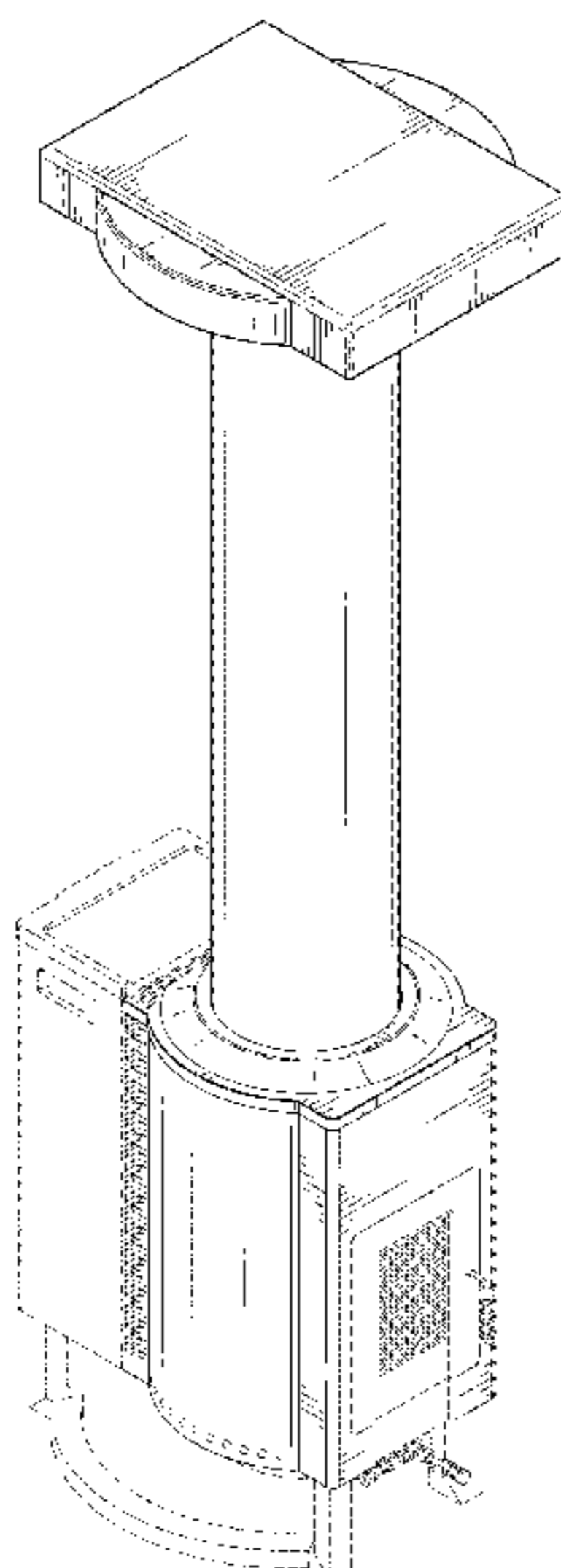
FIG. 8 is a top-rear-left perspective view thereof.

The equally-dashed broken lines shown in FIGS. 1-8 are included for the purpose of illustrating portions of the heater that form no part of the claimed design.

The dash-dot broken lines shown in FIGS. 1, 4-5, and 7-8 define the bounds of the claimed design and form no part thereof.

The surface shadings and contour lines shown in FIGS. 1-8 represent the three-dimensional character and contour of the heater.

1 Claim, 8 Drawing Sheets



(58) **Field of Classification Search**

CPC F24C 7/105; F24C 1/10; F24C 3/04; F24C 7/065; F24C 1/16; F23D 14/12; F24H 3/00; F24B 13/04

See application file for complete search history.

(56) **References Cited**

U.S. PATENT DOCUMENTS

6,035,768 A * 3/2000 Kaufman A47J 37/0763 99/449

D429,324 S 8/2000 Olson et al.

6,102,031 A 8/2000 Waters

6,164,273 A 12/2000 Waters

6,192,878 B1 2/2001 Waters

D445,889 S 7/2001 Resmo et al.

D447,796 S 9/2001 Resmo et al.

D450,816 S 11/2001 Bilotti

6,446,623 B1 9/2002 Resmo et al.

6,470,877 B1 10/2002 Waters

D466,993 S 12/2002 Chang

D471,967 S 3/2003 Bossler

D472,623 S 4/2003 Bossler

D474,532 S 5/2003 Chan et al.

6,619,281 B2 9/2003 Resmo et al.

6,651,647 B2 11/2003 Waters

6,668,818 B2 12/2003 Bossler

D486,211 S 2/2004 Chan et al.

D486,567 S 2/2004 Sakai

D489,439 S 5/2004 Brunner et al.

6,742,814 B2 6/2004 Resmo et al.

6,745,759 B2 6/2004 Bossler

6,792,937 B2 9/2004 Resmo et al.

6,907,875 B1 6/2005 Eastman, II et al.

7,086,396 B2 8/2006 Waters

D532,500 S 11/2006 Yeung

D532,501 S 11/2006 Giovino

7,175,424 B2 2/2007 Frink et al.

D594,949 S 6/2009 Wang

7,631,640 B2 12/2009 Hofbauer et al.

D608,878 S * 1/2010 Mattis D23/346

D619,231 S 7/2010 Yeung

D634,412 S 3/2011 Boldsen

8,011,329 B2 9/2011 Hardy

8,047,197 B1 11/2011 Zernich

8,176,910 B2 5/2012 O'Connell et al.

8,734,928 B1 5/2014 LaVigna et al.

D710,982 S * 8/2014 Baril D23/314

D718,850 S 12/2014 Stokke

D727,484 S 4/2015 Yang

D754,309 S 4/2016 Yang

D770,605 S * 11/2016 Wu D23/332

D812,205 S 3/2018 Inovero et al.

D813,362 S 3/2018 Anthony et al.

D813,999 S 3/2018 Inovero et al.

10,015,655 B2 7/2018 Doorandish

10,030,889 B2 7/2018 Merritt

D835,246 S * 12/2018 Zhang D23/332

D841,789 S 2/2019 Inovero et al.

10,222,068 B2 3/2019 Bechtold

10,222,092 B1 3/2019 Traeger

D846,716 S * 4/2019 Maki D23/342

D849,900 S * 5/2019 Wu D23/332

D850,591 S 6/2019 Inovero et al.

10,371,386 B2 8/2019 Yang

D865,142 S * 10/2019 Wu D23/332

10,488,052 B2 11/2019 Kalyanaraman et al.

10,495,300 B2 12/2019 Huddleston et al.

D886,257 S 6/2020 Pontillas et al.

D890,315 S 7/2020 Inovero et al.

10,982,880 B1 4/2021 Traeger

11,022,323 B2 6/2021 Mushnick

D940,842 S * 1/2022 Wang D23/336

D941,975 S * 1/2022 Thomas D7/332

D953,499 S * 5/2022 Scott D23/318

D976,377 S * 1/2023 Thomas D7/332

2003/0029439 A1 2/2003 Bossler

2004/0011346 A1 1/2004 Sakai

2004/0177843 A1 9/2004 Bernini et al.

2007/0101983 A1 5/2007 Yao

2008/0202502 A1 8/2008 Eckhardt

2009/0053664 A1 2/2009 Staller et al.

2009/0223512 A1 9/2009 Konkle

2010/0192934 A1 * 8/2010 Ashmore F24B 1/24 110/341

2011/0073095 A1 3/2011 Bechtold

2013/0160757 A1 * 6/2013 Atemboski F24B 13/04 126/501

2014/0238282 A1 * 8/2014 Zhu F24B 1/08 110/297

2015/0345828 A1 12/2015 Clark

2016/0370011 A1 12/2016 David et al.

2017/0172158 A1 * 6/2017 Lipinski A47J 37/0704

2017/0215641 A1 * 8/2017 DeBruler A47J 37/0704

2018/0180291 A1 6/2018 Wei

2019/0234610 A1 * 8/2019 Abbott F23B 50/12

2019/0301740 A1 10/2019 Daniels

2019/0368742 A1 12/2019 Yang

2020/0386412 A1 12/2020 Silverman

2021/0140649 A1 5/2021 Dadoyan

2021/0207810 A1 7/2021 Vlock

2021/0356132 A1 11/2021 Yang

2022/0079383 A1 * 3/2022 Mercer A47J 36/32

2022/0357040 A1 * 11/2022 Simon F24B 13/04

FOREIGN PATENT DOCUMENTS

DE 202017101003 U1 6/2017

DE 202021102442 U1 6/2021

EP 3029393 A1 6/2016

EP 3112756 A1 4/2017

EP 3614047 A1 2/2020

EP 3279569 B1 10/2020

EP 3936764 A1 1/2022

ES 2557413 A1 1/2016

KR 101527682 B1 6/2015

WO 2014118419 A1 8/2014

OTHER PUBLICATIONS

Even Embers, Web page <https://evenembers.com/products/outdoor-heating/>, 1 page, retrieved from Internet on Aug. 12, 2022.

Q-Stoves, Web page <https://qstoves.com/collections/outdoor-patio-heater/>, 1 page, retrieved from Internet on Aug. 12, 2022.

* cited by examiner

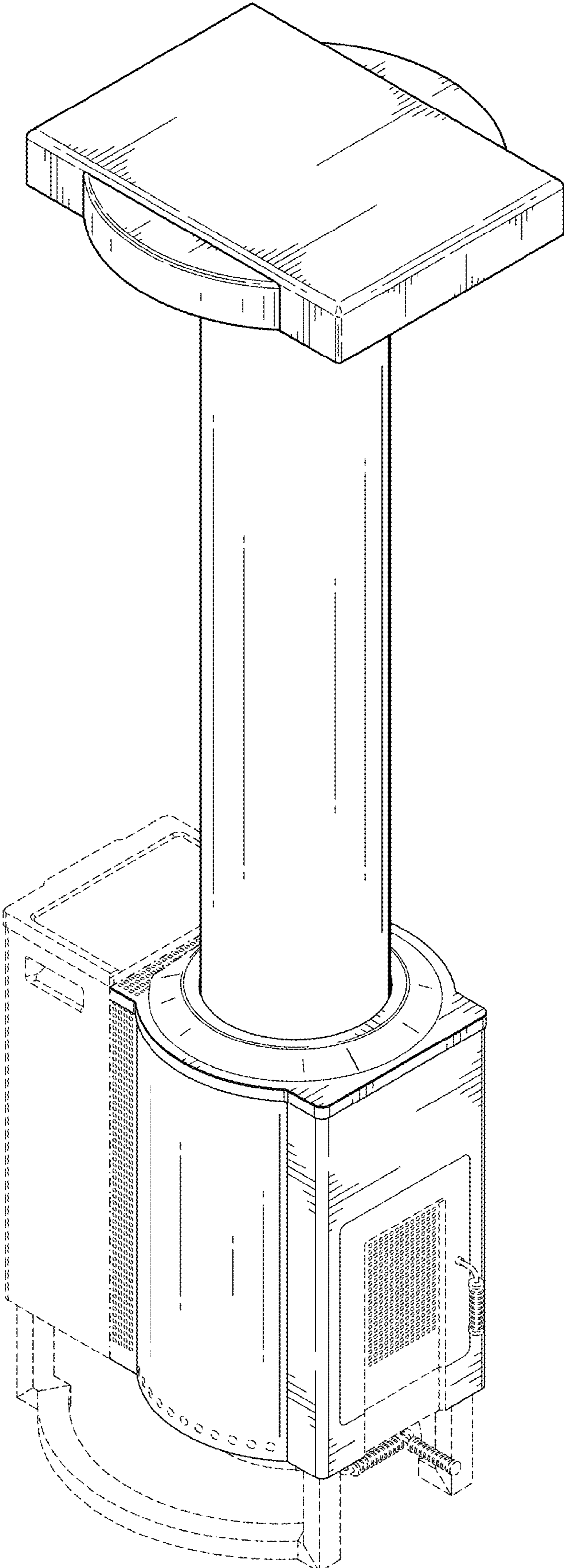


FIG. 1

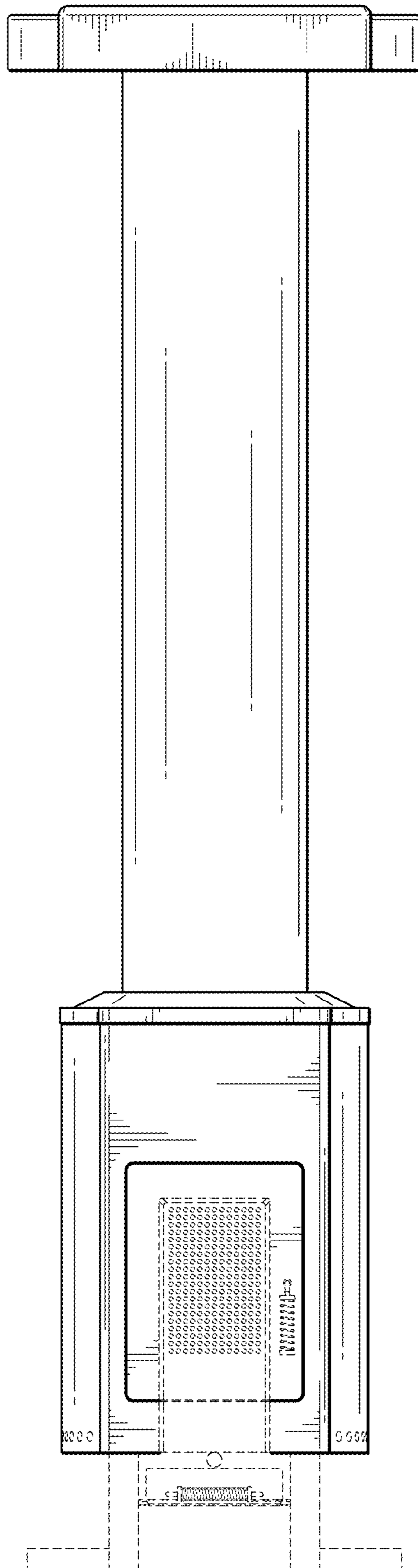


FIG. 2

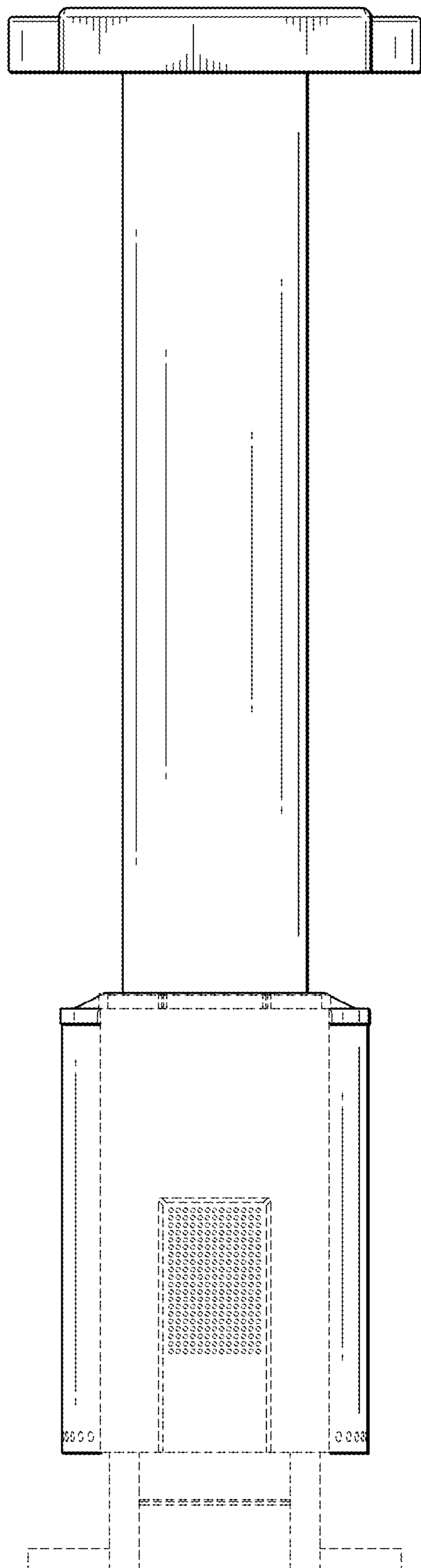


FIG. 3

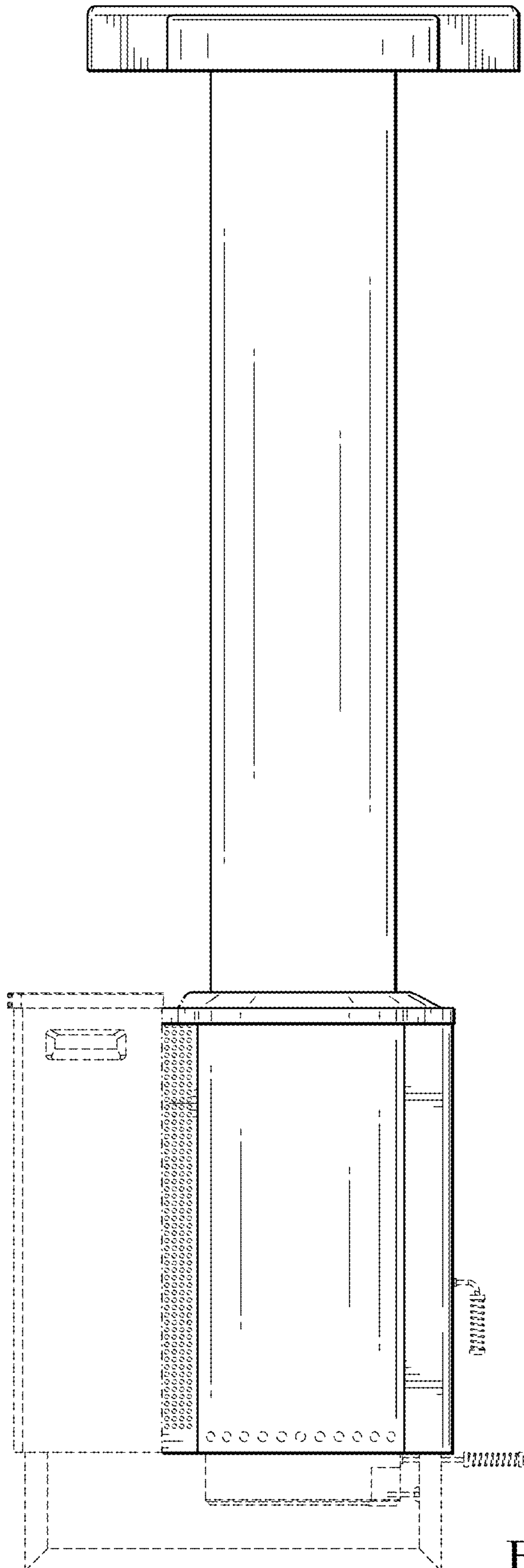


FIG. 4

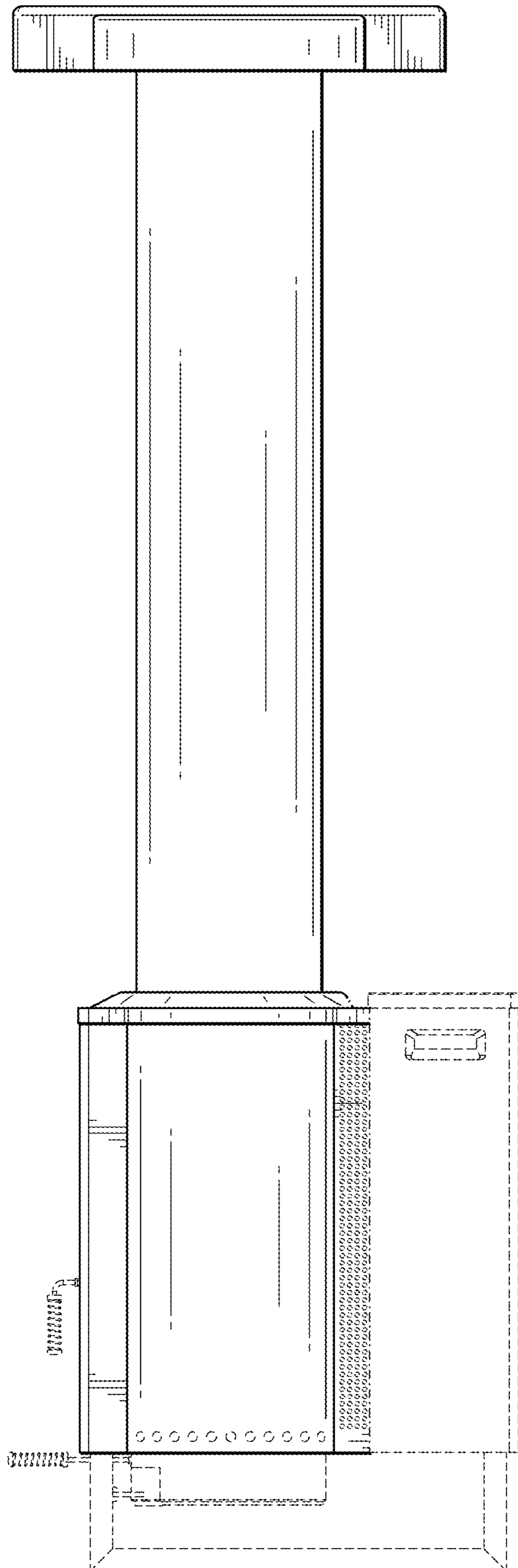


FIG. 5

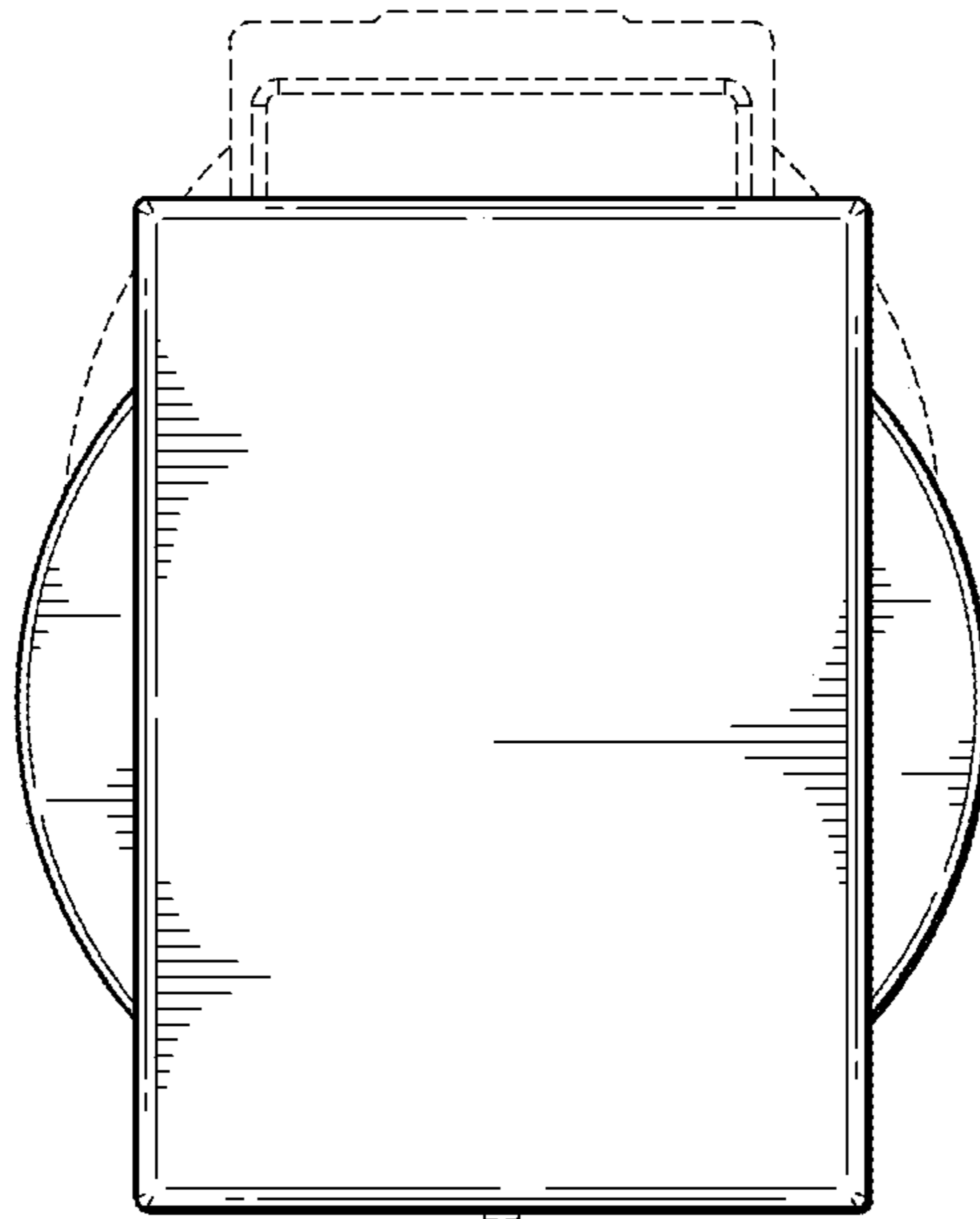


FIG. 6

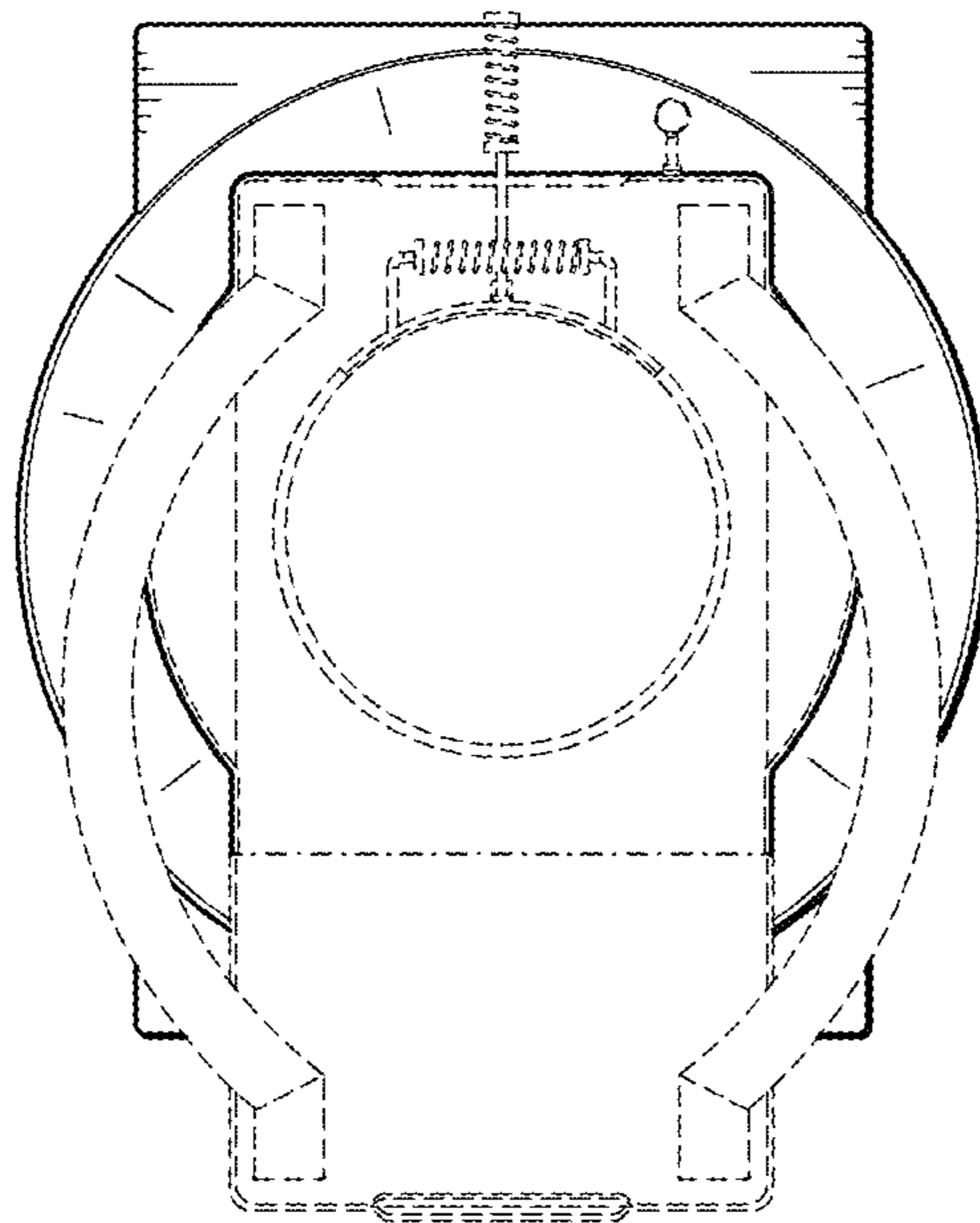


FIG. 7

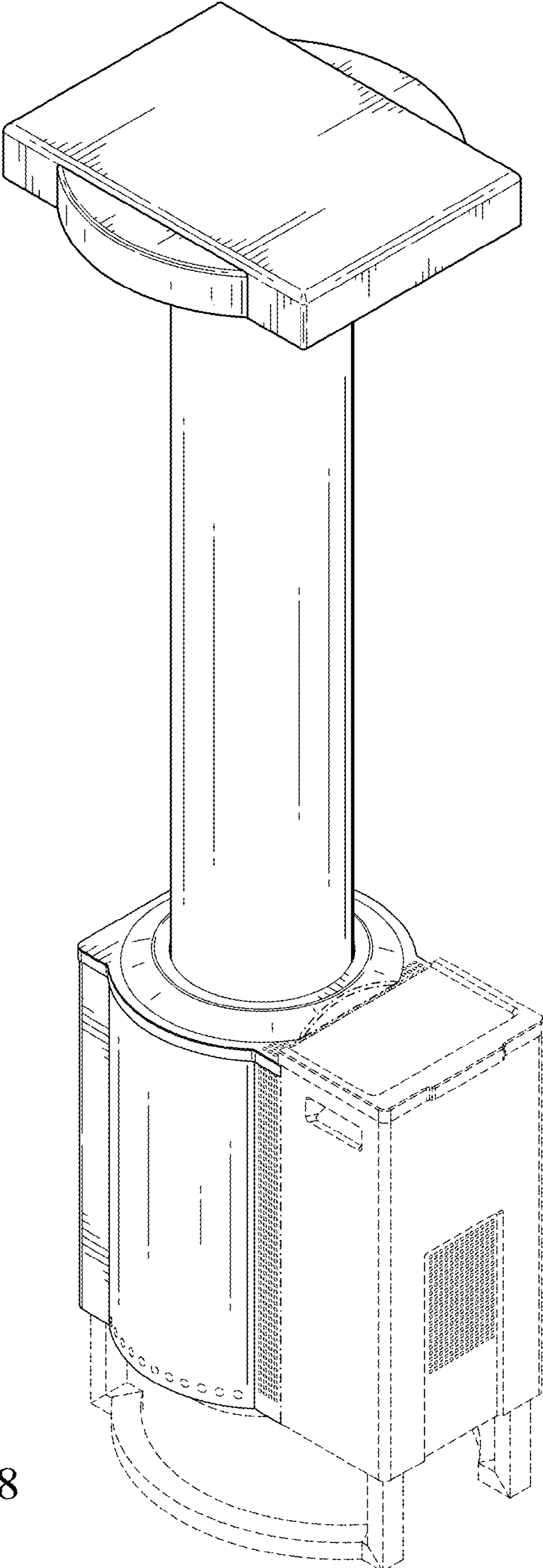


FIG. 8

UNITED STATES PATENT AND TRADEMARK OFFICE
CERTIFICATE OF CORRECTION

PATENT NO. : D1,035,849 S
APPLICATION NO. : 29/865797
DATED : July 16, 2024
INVENTOR(S) : Jeffrey R. Weilert and Alexander K. Maghsadi

Page 1 of 1

It is certified that error appears in the above-identified patent and that said Letters Patent is hereby corrected as shown below:

On the Title Page

Item (57) in Description Column 2, Line 1:

Replace "patent pplication Ser. No. 29/865,800" with -- patent application Ser. No. 29/865,800 --

Signed and Sealed this
Tenth Day of September, 2024
Katherine Kelly Vidal

Katherine Kelly Vidal
Director of the United States Patent and Trademark Office