



US0D1035841S

(12) **United States Design Patent** (10) **Patent No.:** **US D1,035,841 S**  
**Sherman et al.** (45) **Date of Patent:** **\*\* Jul. 16, 2024**

(54) **CONDUIT HUB**  
(71) Applicant: **Allied Tube & Conduit Corporation**,  
Harvey, IL (US)  
(72) Inventors: **Justine Sherman**, Weatherford, TX  
(US); **Debra Dersham**, Springfield, OR  
(US)

5,434,360 A 7/1995 Ehrenfels  
D463,537 S \* 9/2002 Koza ..... D23/262  
6,555,749 B1 4/2003 Pyron  
6,575,474 B1 \* 6/2003 Zimmer ..... H02G 15/013  
277/622

(Continued)

(73) Assignee: **Allied Tube & Conduit Corporation**,  
Harvey, IL (US)

OTHER PUBLICATIONS  
Hayward BFAS Series Bulkhead Fittings—Standard Flange—  
Technical Information—retrieved Jul. 7, 2015.

(Continued)

(\*\*) Term: **15 Years**

*Primary Examiner* — Dana K Weiland  
*Assistant Examiner* — Kathryn Elizabeth Zieno  
(74) *Attorney, Agent, or Firm* — KDW FIRM PLLC

(21) Appl. No.: **29/813,507**

(22) Filed: **Oct. 29, 2021**

(51) **LOC (14) Cl.** ..... **23-01**

(52) **U.S. Cl.**  
USPC ..... **D23/262**

(58) **Field of Classification Search**  
USPC ..... D23/259, 262–263, 265–266;  
D24/110–112, 127, 129; D8/382, 396  
CPC ..... F16L 27/073; F16L 37/025; F16L 47/16;  
F16L 49/04; F16L 49/06; E03C 1/042;  
E03C 1/04; A61B 2017/00477; Y10T  
29/5367

See application file for complete search history.

(56) **References Cited**

U.S. PATENT DOCUMENTS

2,554,456 A \* 5/1951 Coleman ..... H02G 3/0616  
285/347  
4,324,424 A \* 4/1982 Woodliff ..... F16L 41/084  
285/200  
4,592,574 A \* 6/1986 Vollmuth ..... H02G 3/06  
285/31  
4,595,217 A \* 6/1986 Siegel ..... F16L 39/00  
285/32  
4,801,158 A 1/1989 Gomi  
4,957,314 A \* 9/1990 Basile ..... F16L 25/08  
285/404

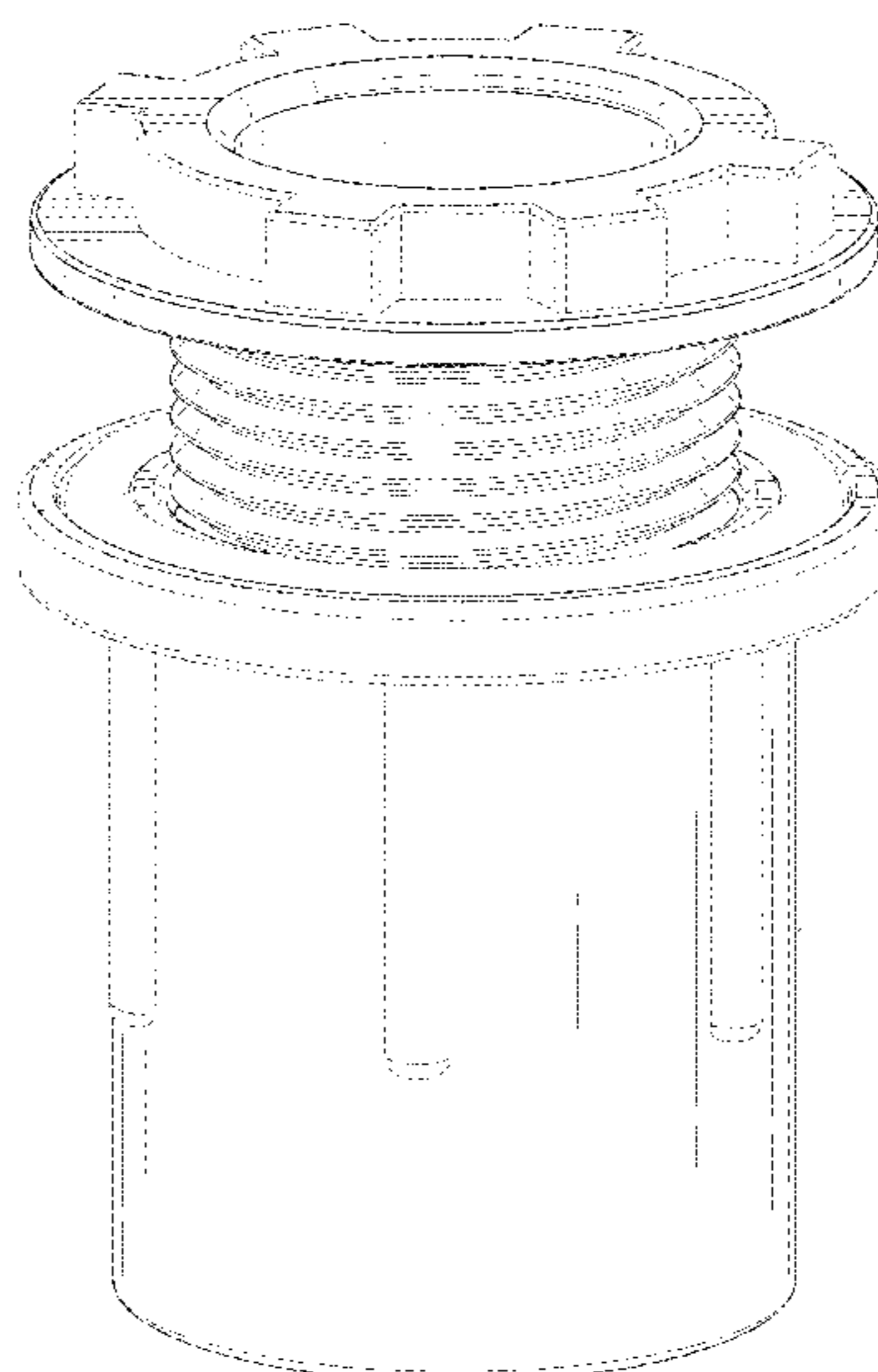
(57) **CLAIM**

The ornamental design for a conduit hub, as shown and  
described.

**DESCRIPTION**

FIG. 1 is an isometric view of our new design;  
FIG. 2 is a first side view of the design of FIG. 1, with the  
second side view being identical;  
FIG. 3 is a front view of the design of FIG. 1, with the rear  
view being identical;  
FIG. 4 is a top plan view of the design of FIG. 1;  
FIG. 5 is a bottom plan view of the design of FIG. 1;  
FIG. 6 is an isometric exploded view of the design of FIG.  
1; and,  
FIG. 7 is a side view of the conduit hub shown in a position  
of use in its environment.  
The broken lines shown in the drawings illustrate portions of  
the conduit hub and environment that form no part of the  
claimed design.  
The dash dot broken lines depict boundaries of the conduit  
hub and form no part thereof.  
The dashed broken lines depict portions of the conduit hub  
and form no part thereof.

**1 Claim, 7 Drawing Sheets**



(56)

References Cited

U.S. PATENT DOCUMENTS

6,722,904 B2 \* 4/2004 Linhart ..... A47L 9/246  
 439/194  
 6,832,790 B2 12/2004 Olson  
 6,877,781 B2 \* 4/2005 Edler ..... F16L 25/0036  
 285/353  
 7,350,832 B1 \* 4/2008 Kiely ..... F16L 19/0218  
 285/354  
 7,607,700 B2 \* 10/2009 Duquette ..... F16L 19/041  
 285/903  
 7,658,418 B1 \* 2/2010 Elbaz ..... H02G 3/06  
 285/354  
 8,910,980 B2 \* 12/2014 Neal ..... F16L 19/065  
 285/249  
 9,490,619 B2 \* 11/2016 Smith ..... H02G 3/088  
 D780,297 S \* 2/2017 Ray ..... D23/262  
 D790,044 S \* 6/2017 Li ..... D23/262  
 D813,658 S \* 3/2018 Wright ..... D23/262  
 D842,816 S \* 3/2019 Nguyen ..... D13/133  
 D845,448 S \* 4/2019 Tanghetti ..... D23/262  
 D908,637 S \* 1/2021 Jung ..... D13/151  
 10,890,282 B2 \* 1/2021 Sneh ..... F16L 19/0218  
 D909,311 S \* 2/2021 Jung ..... D13/151  
 10,969,047 B1 \* 4/2021 Crompton ..... F16L 19/086  
 D919,059 S \* 5/2021 Ray ..... D23/262  
 D919,060 S \* 5/2021 Fife ..... D23/262  
 D919,707 S \* 5/2021 Conrad ..... D23/262  
 11,035,510 B1 \* 6/2021 Crompton ..... F16L 37/0915  
 11,181,215 B2 \* 11/2021 Ibayashi ..... F16L 33/26

D956,522 S \* 7/2022 Smith ..... D8/354  
 D958,304 S \* 7/2022 Smith ..... D23/262  
 D967,353 S \* 10/2022 Haufrect ..... B65D 21/0231  
 D23/262  
 D1,009,229 S \* 12/2023 Begier ..... D23/262  
 2016/0230911 A1 \* 8/2016 Taylor ..... F16L 19/086  
 2019/0285216 A1 \* 9/2019 Lo ..... F16L 37/138

OTHER PUBLICATIONS

Eaton Crouse—Hinds series Myers ground hub, Stainless steel, 3½'—retrieved Mar. 11, 2022 URL: <https://www.eaton.com/us/en-us/skuPage.SSTG%25209.html>.  
 Myers hubs—Installation & maintenance information—Eaton Crouse-Hinds Series—Revised Sep. 2018.  
 Thomas & Betts Liquid Tight Cord Connector: Nylon, ¾ in MNPT, 0.23 in to 0.29 in—Found online at: <https://www.grainger.com/>—Retrieved Aug. 26, 2021.  
 The Arlington Liquid Tight Cord Connector: Nylon, ¾ in MNPT, 0.10 in to 0.30 in, Gray—Found online at: <https://www.grainger.com/>—Retrieved Aug. 26, 2021.  
 The Jobe Valves J-Multi Fit 1 Multi-Fit Tank Inlet Fitting 1—Found online at: <https://www.tractorsupply.com/tsc/product/jobe-valves-multifit-inlet-fitting-1-j-multi-fit-1>—Retrieved Aug. 26, 2021.  
 Hayward PVC Bulkhead Tank Fitting, 2 in Pipe Size, FNPT x Socket Connection Type—Found online at: <https://www.grainger.com/product/HAYWARD-PVC-Bulkhead-Tank-Fitting-13L954>—Retrieved Aug. 26, 2021.

\* cited by examiner

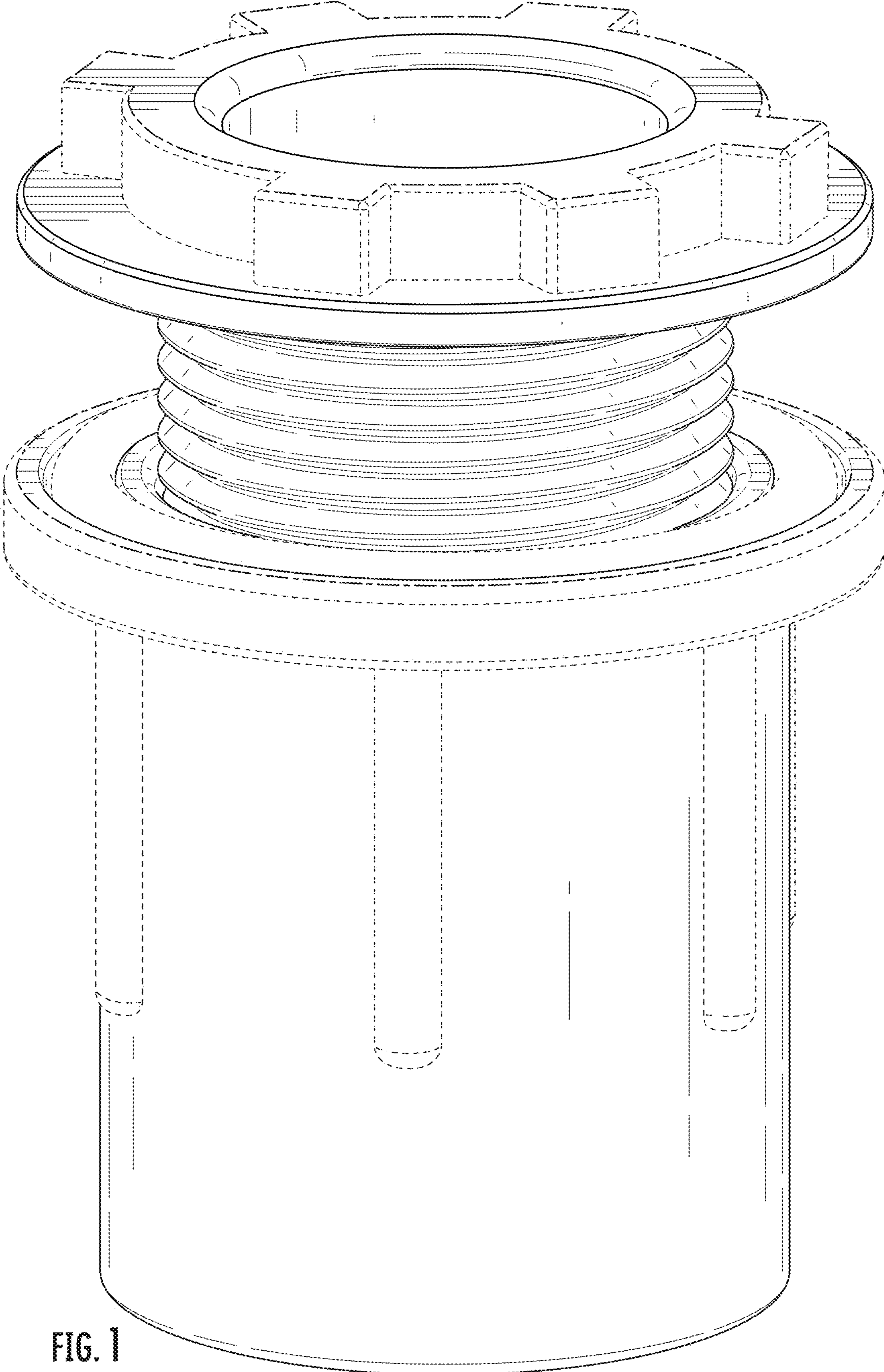


FIG. 1

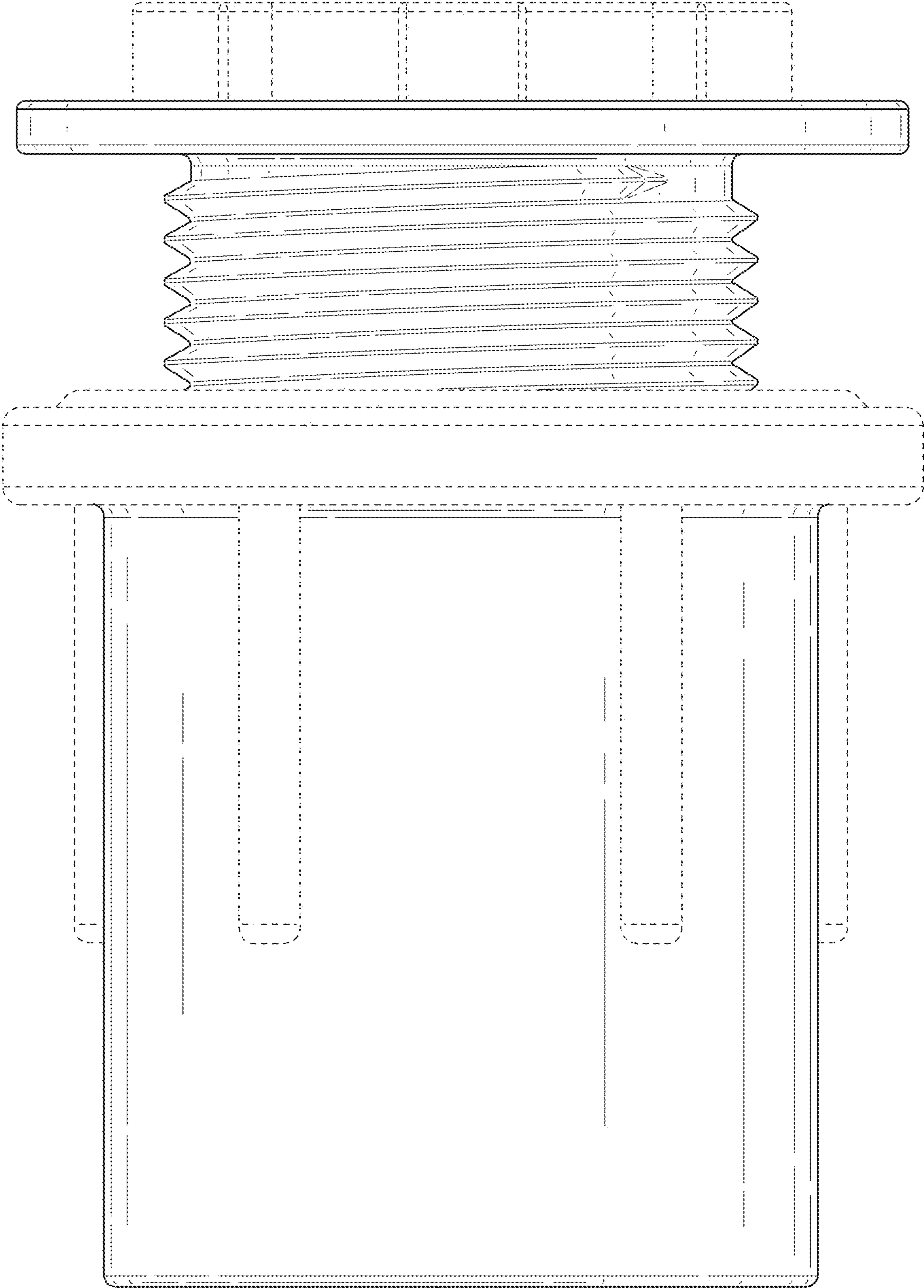


FIG. 2

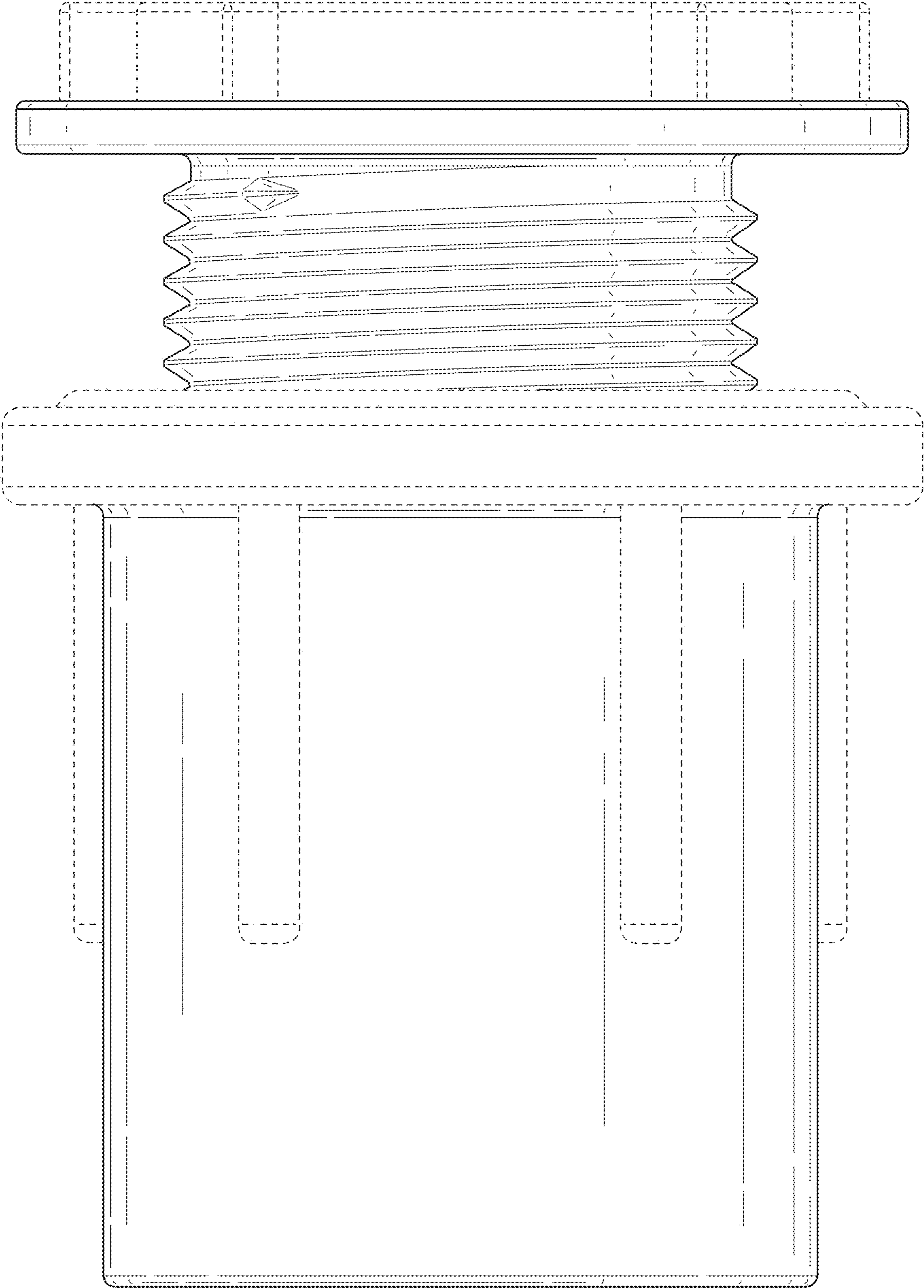


FIG. 3

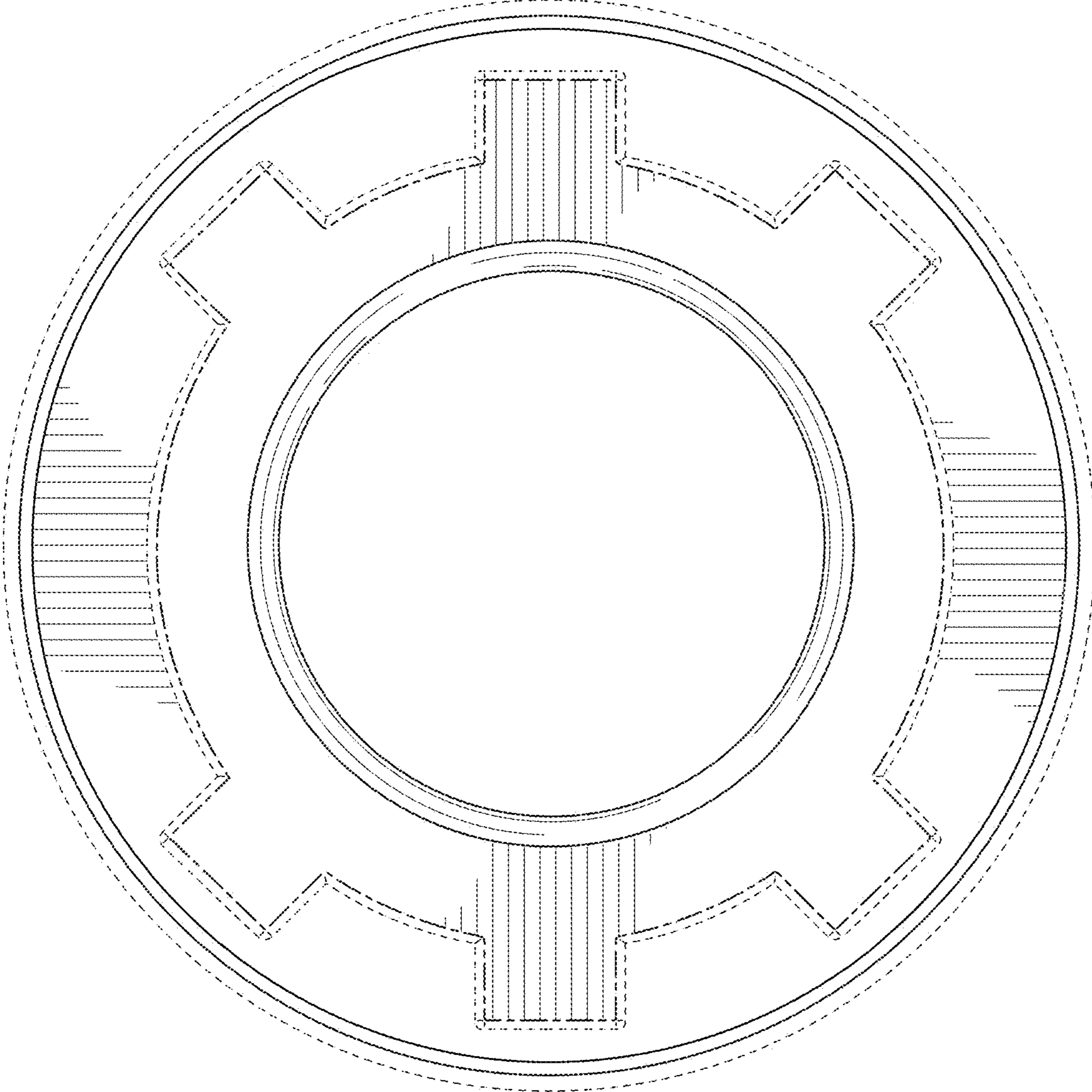


FIG. 4

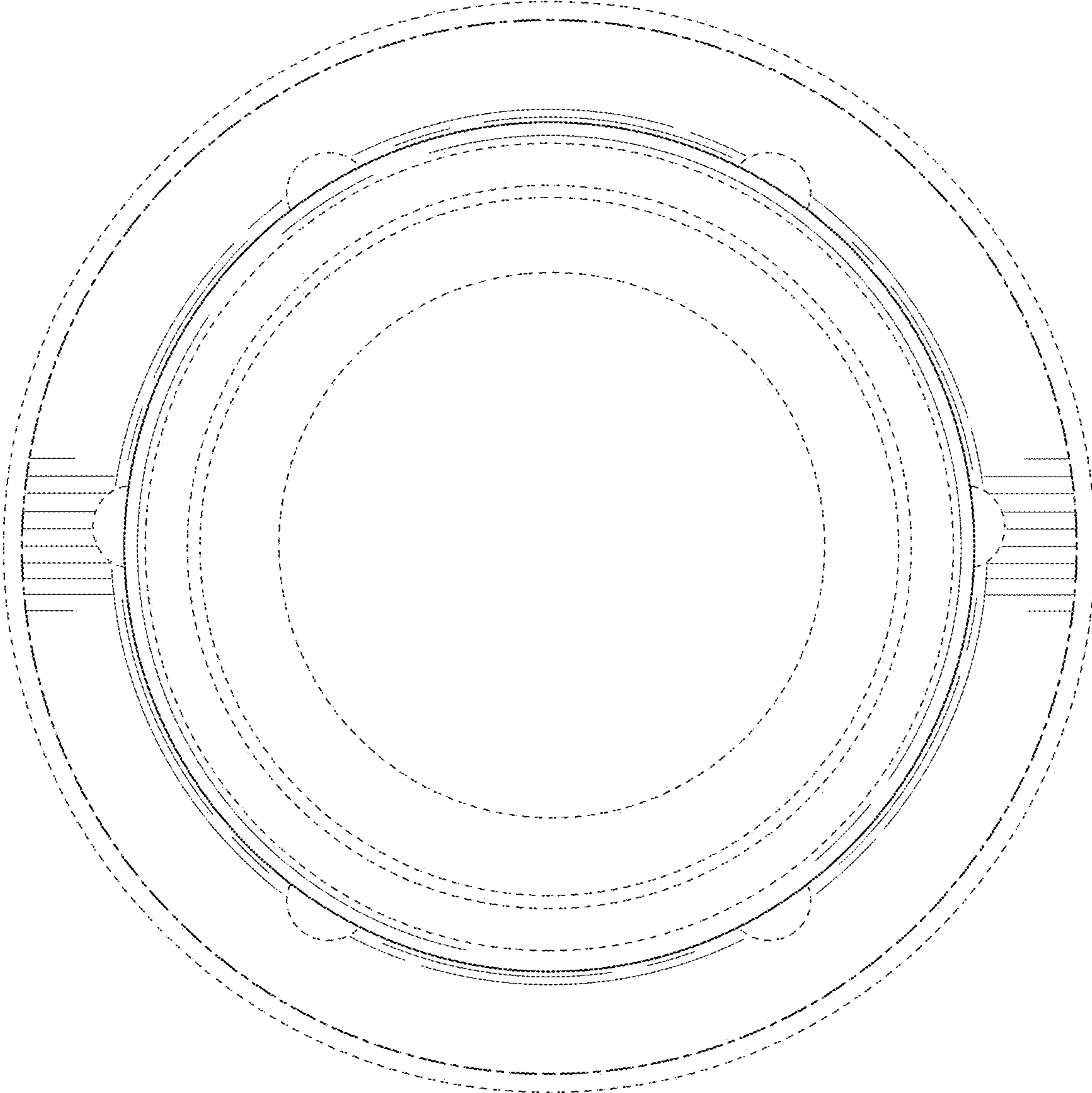


FIG. 5

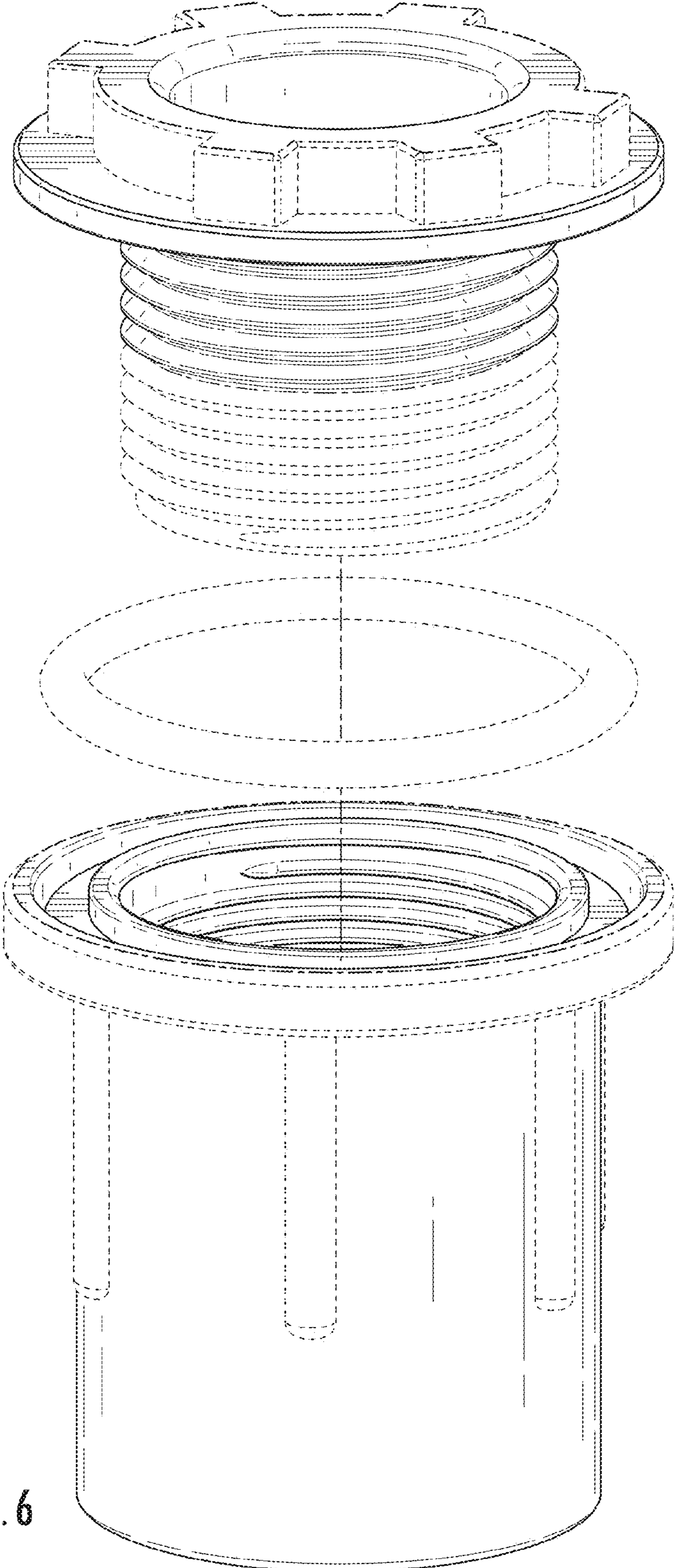


FIG. 6



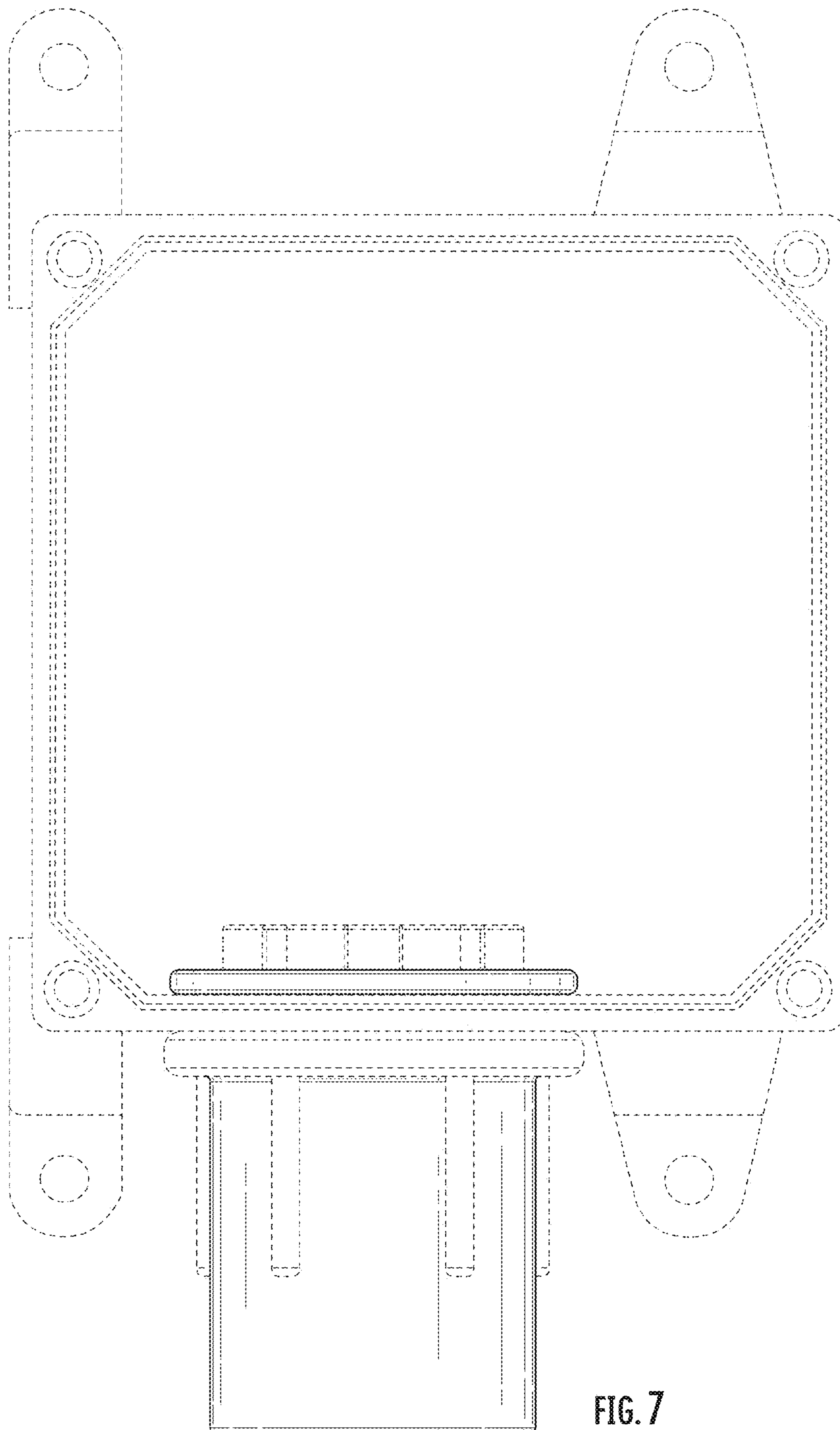


FIG. 7