



US0D1035815S

(12) **United States Design Patent** (10) **Patent No.:** **US D1,035,815 S**  
**Rucci et al.** (45) **Date of Patent:** **\*\* Jul. 16, 2024**

(54) **HINGED SHOOTING REST**  
(71) Applicant: **Good Sportsman Marketing, LLC**,  
Irving, TX (US)  
(72) Inventors: **Thomas Rucci**, Henderson, NV (US);  
**Daniel Dvorak**, Henderson, NV (US)  
(73) Assignee: **Good Sportsman Marketing, LLC**,  
Irving, TX (US)  
(\*\*) Term: **15 Years**  
(21) Appl. No.: **29/795,642**  
(22) Filed: **Jun. 18, 2021**  
(51) **LOC (14) Cl.** ..... **22-01**  
(52) **U.S. Cl.**  
USPC ..... **D22/108**  
(58) **Field of Classification Search**  
USPC ..... D22/100, 101, 103, 108, 111, 199;  
D3/254, 262; D6/552  
CPC ..... F41A 21/26; F41A 23/02; F41A 23/16;  
F41C 23/00; F41C 23/06; F41C 23/20;  
F41C 23/14  
See application file for complete search history.

8,296,988 B2 \* 10/2012 Yale ..... F41C 33/06  
73/167  
8,621,773 B2 \* 1/2014 Morrow ..... F41A 23/16  
42/94  
D698,888 S \* 2/2014 Hicks ..... D22/199  
9,702,653 B2 \* 7/2017 Cauley, Jr. .... F41A 23/02  
D852,536 S \* 7/2019 Arnall ..... D22/108  
D866,700 S \* 11/2019 Skelton ..... D22/108  
10,782,085 B2 \* 9/2020 Cauley, Jr. .... F41A 23/16  
D899,547 S \* 10/2020 Warner ..... D22/108  
D965,737 S \* 10/2022 Lai ..... D22/199  
11,543,206 B1 \* 1/2023 Rucci ..... F41A 23/16  
D983,002 S \* 4/2023 Dvorak ..... D8/74

(Continued)

**OTHER PUBLICATIONS**

“Birchwood Casey Bravo Comfortable Durable Adjustable Rifle Shooting Rest with Rigid Steel Frame & Non-Slip Rubber Stock Rest” [online]. Birchwood Casey. [Product first available on Mar. 18, 2021]. Retrieved from the Internet: <<https://www.amazon.com/dp/B08ZFW7JR7>>.\*

(Continued)

*Primary Examiner* — Mojtaba Tehrani  
(74) *Attorney, Agent, or Firm* — Cabello Hall Zinda, PLLC

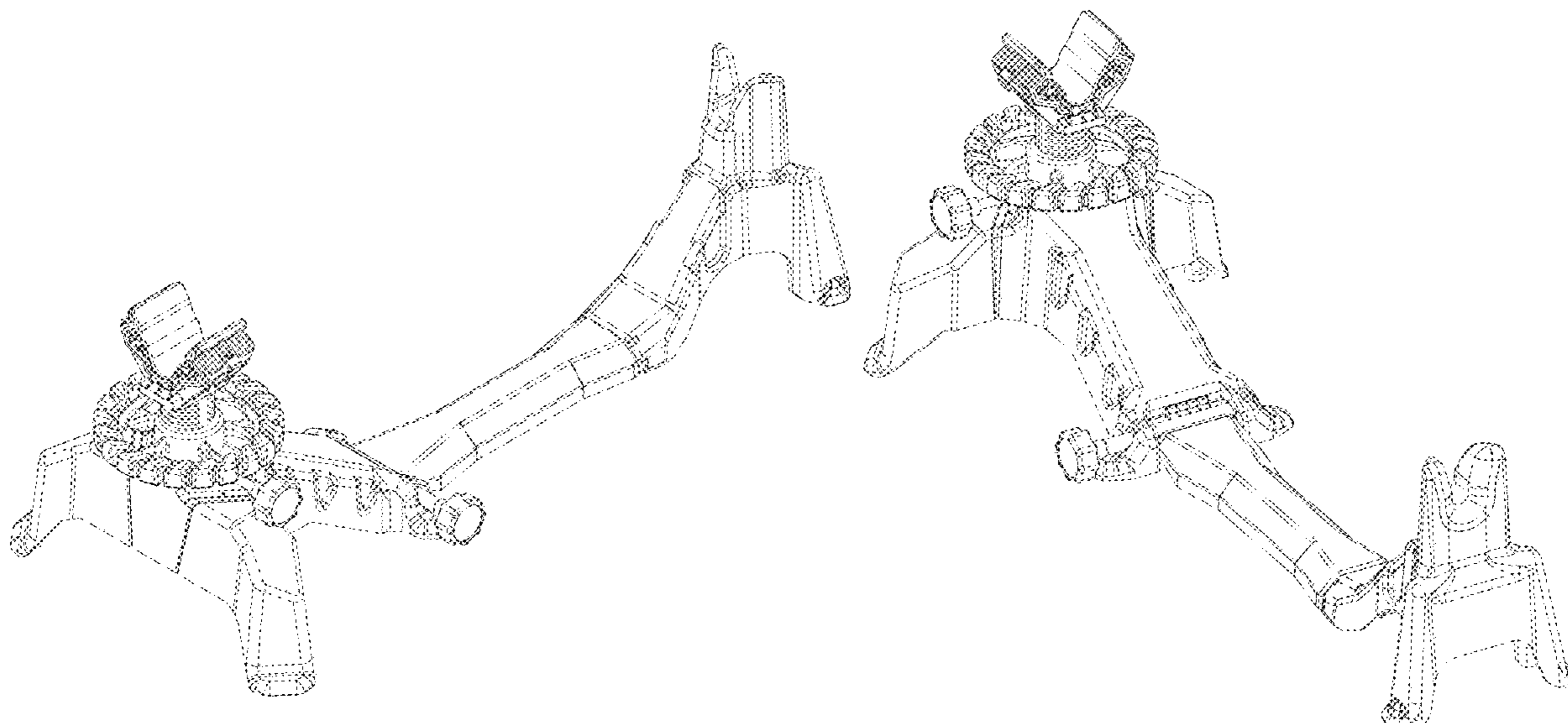
(57) **CLAIM**

The ornamental design for a hinged shooting rest, as shown and described.

**DESCRIPTION**

FIG. 1 is a first perspective view of a hinged shooting rest; FIG. 2 is a second perspective view thereof; FIG. 3 is a back view thereof; FIG. 4 is a front view thereof; FIG. 5 is a top view thereof; FIG. 6 is a side view thereof; and, FIG. 7 is an opposite side view thereof.

**1 Claim, 5 Drawing Sheets**



(56)

**References Cited**

U.S. PATENT DOCUMENTS

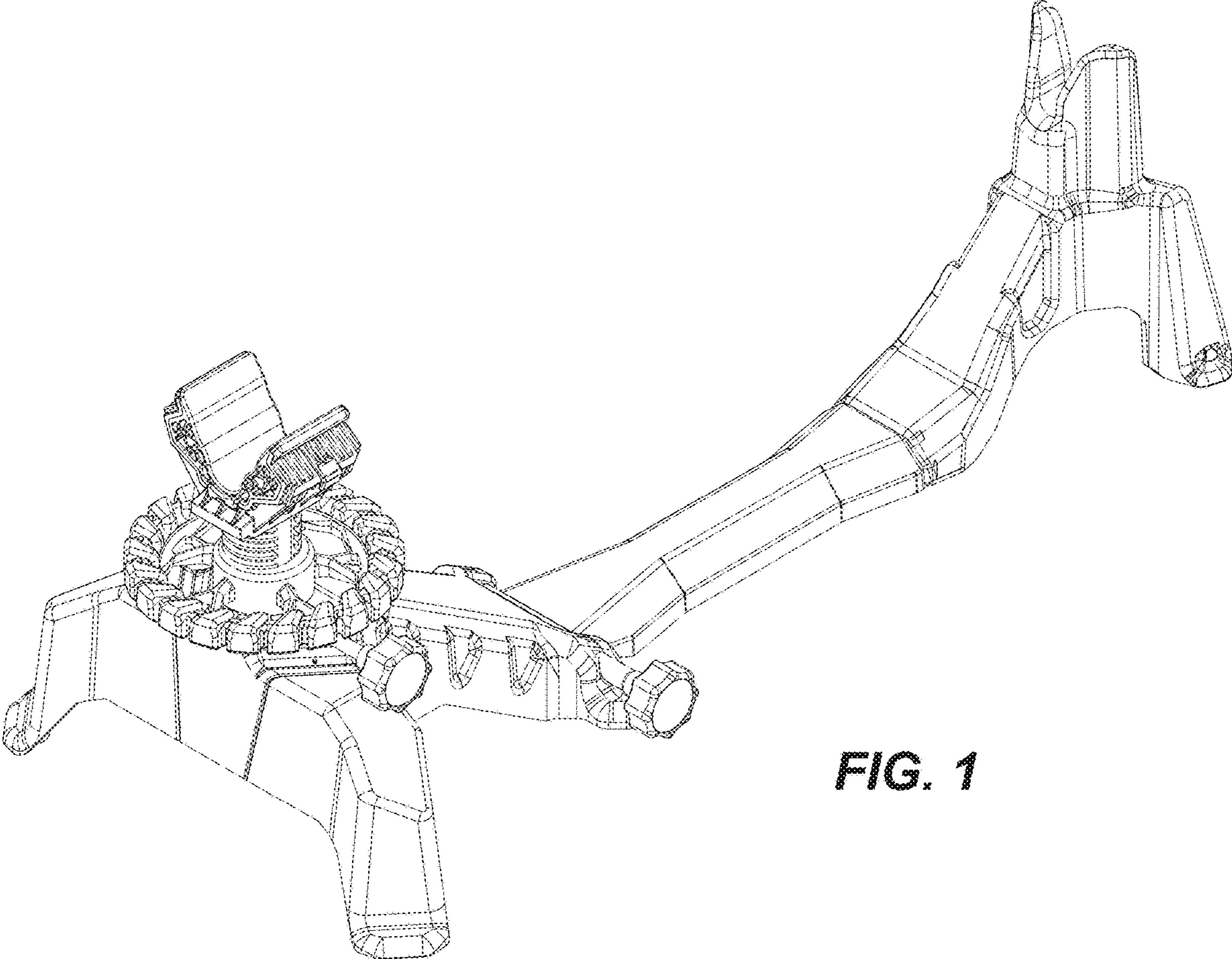
2014/0237882 A1\* 8/2014 Banes ..... F41A 23/02  
42/94  
2020/0208933 A1\* 7/2020 Wynalda, Jr. .... F41A 23/06  
2020/0263948 A1\* 8/2020 Cauley, Jr. .... F41A 23/16  
2021/0293504 A1\* 9/2021 Wynalda, Jr. .... F41A 23/16  
2022/0003516 A1\* 1/2022 Perkins, Jr. .... F41A 23/02  
2022/0404113 A1\* 12/2022 Rucci ..... F41A 23/16

OTHER PUBLICATIONS

“Birchwood Casey Foxtrot Rifle & Pistol Shooting Rest—  
Comfortable Durable Adjustable Gun Rest with Non-Marring Mate-  
rial & Detachable Rear Rest—Fits Most Rifles” [online]. Birchwood  
Casey. [Product first available on Mar. 18, 2021]. Retrieved from the  
Internet: <<https://www.amazon.com/dp/B08ZG23HZ2>>.\*

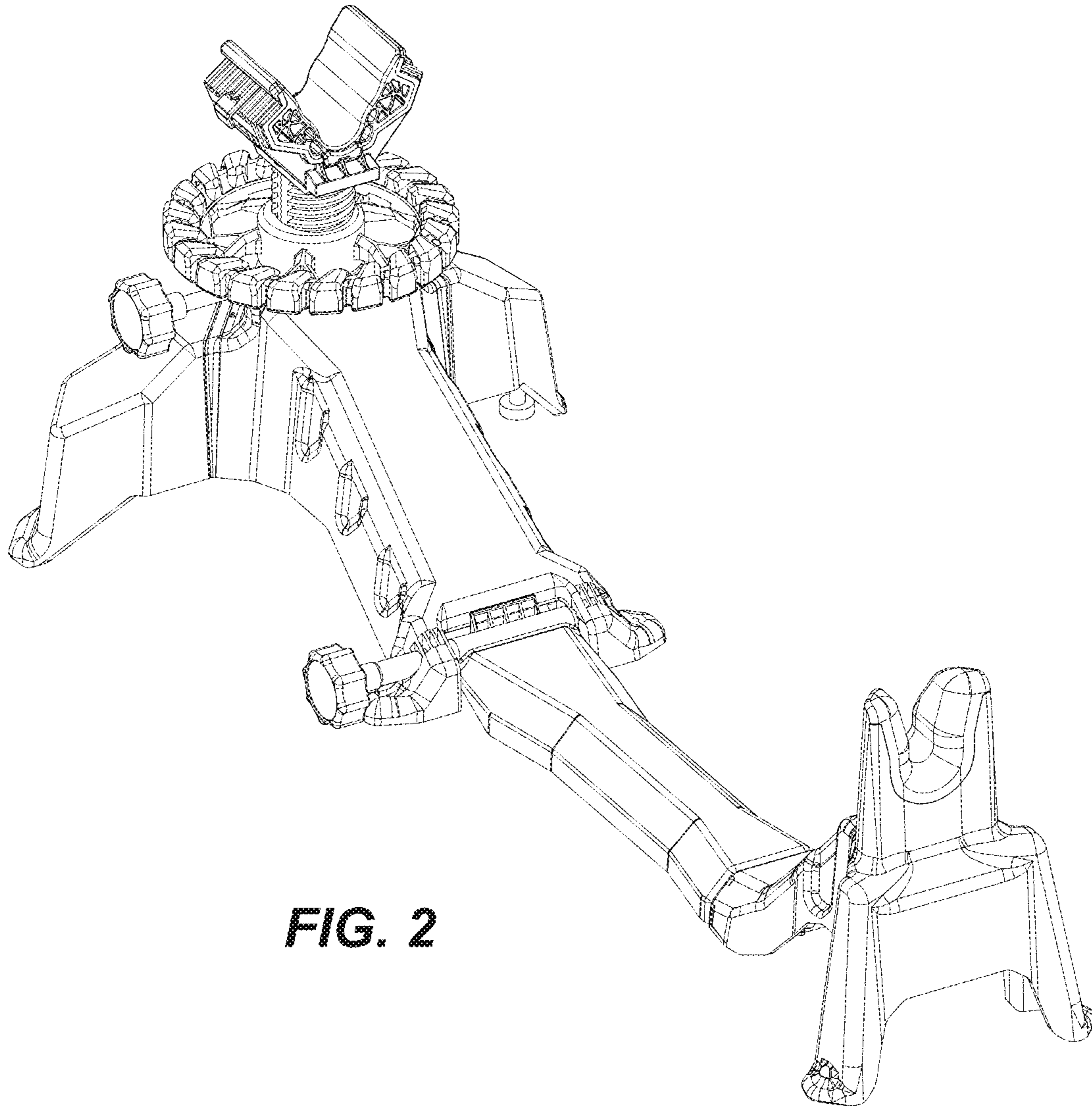
“Birchwood Casey Echo Shooting Rest—Multi” [online]. Birchwood  
Casey. [Product first available on Mar. 18, 2021]. Retrieved from the  
Internet: <<https://www.amazon.com/dp/B08ZG6Z7BC>>.\*

\* cited by examiner

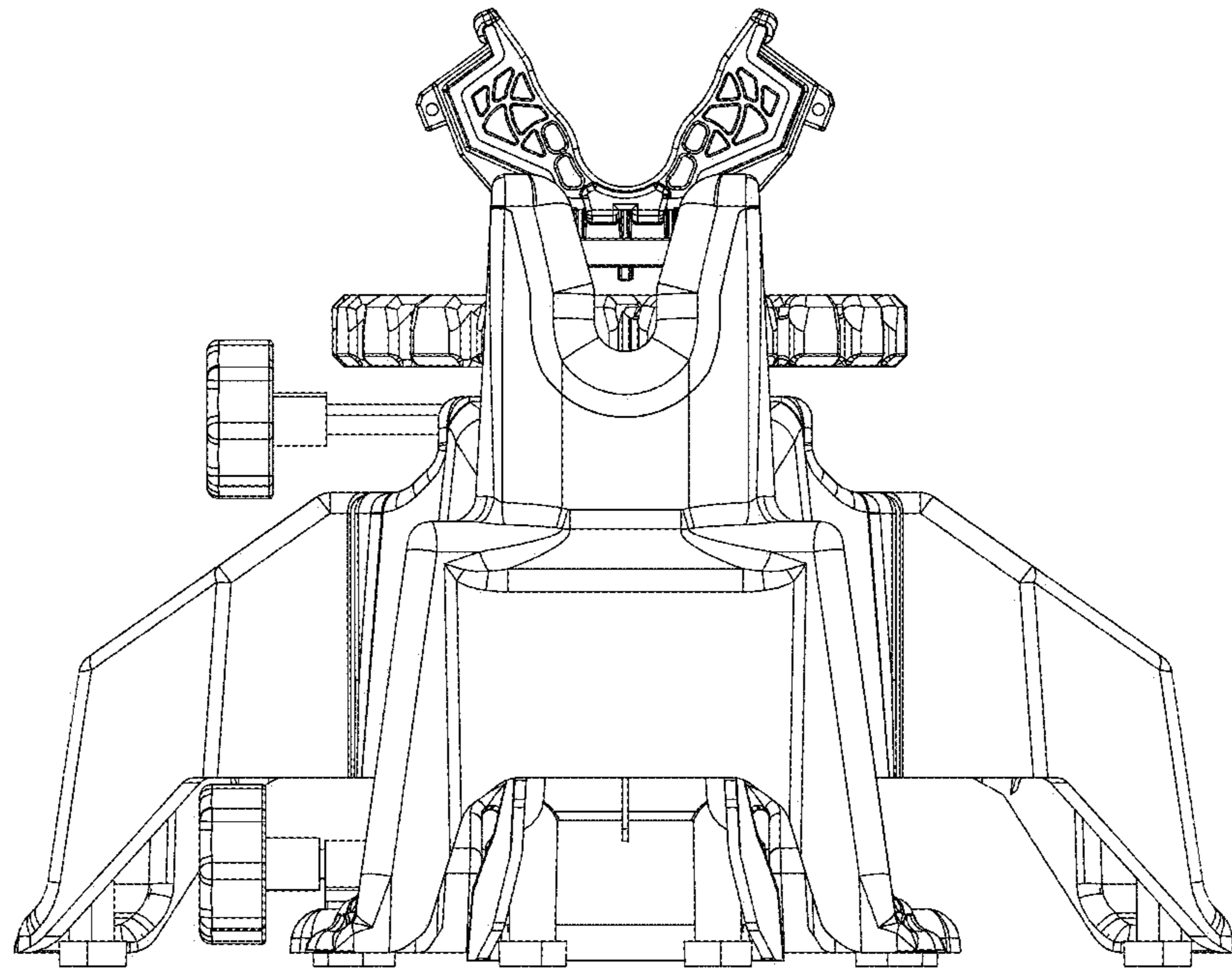


**FIG. 1**

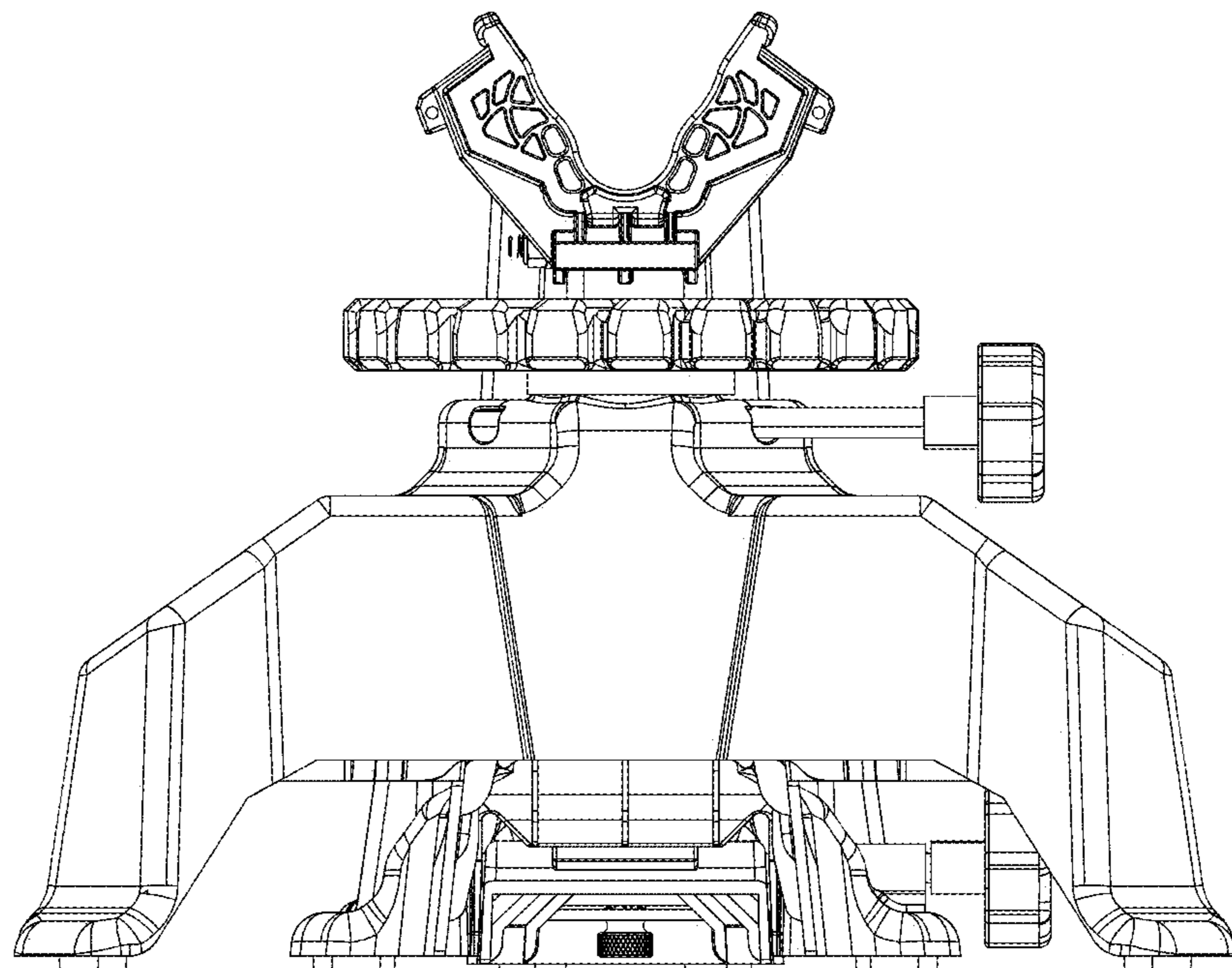




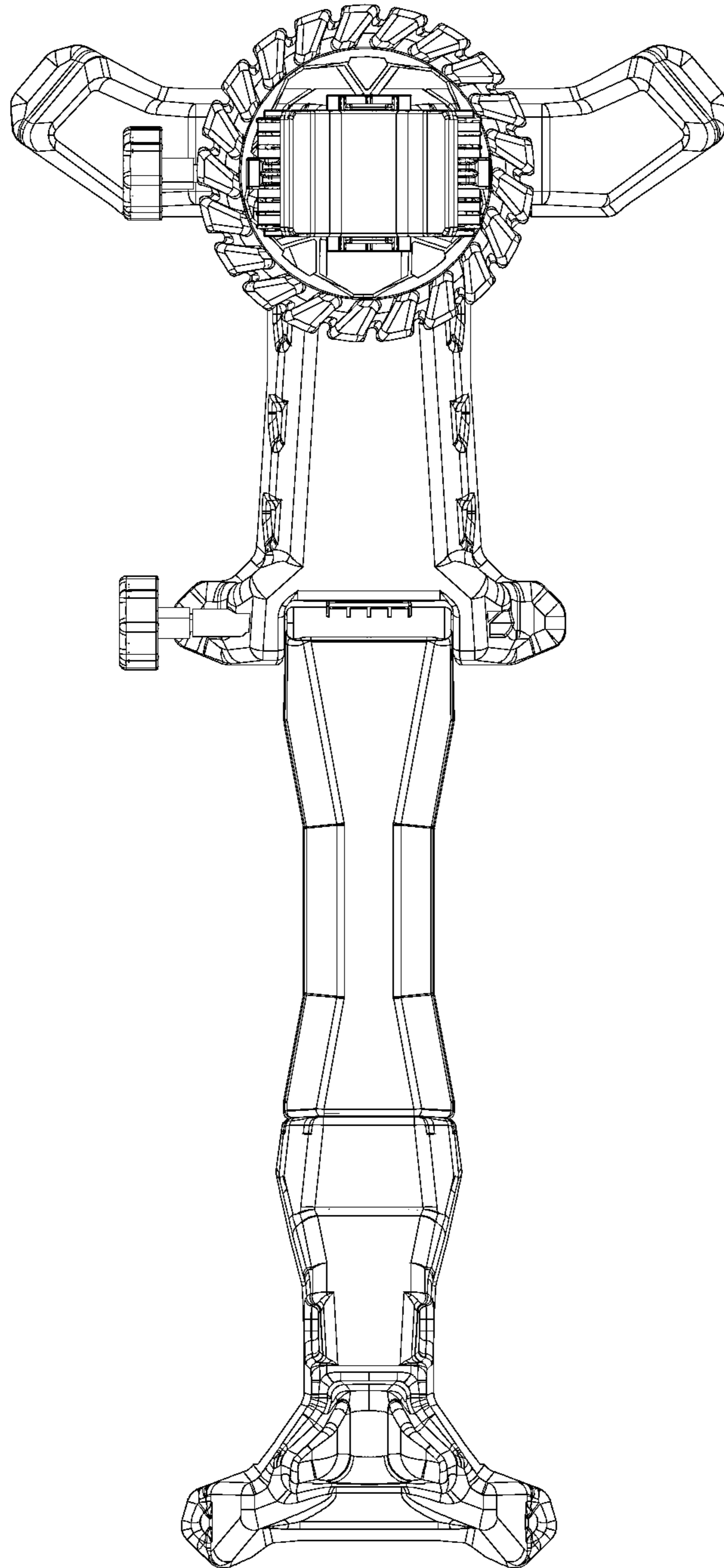
**FIG. 2**



**FIG. 3**

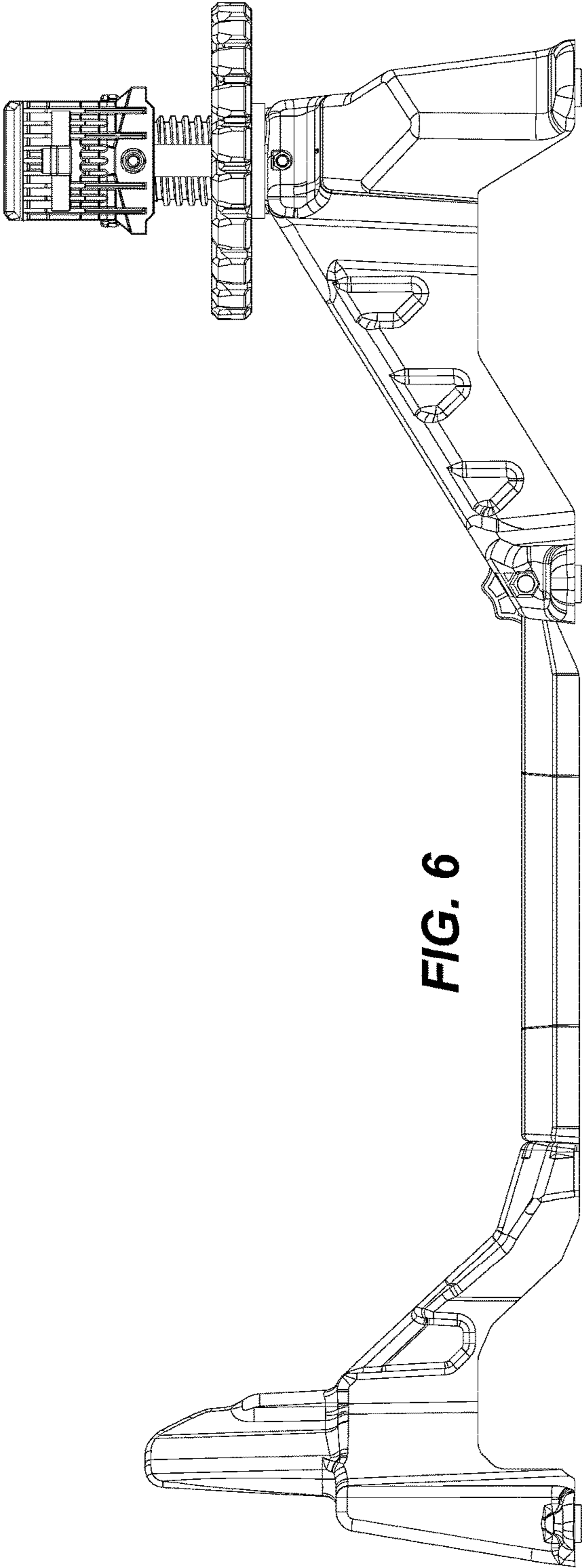


**FIG. 4**

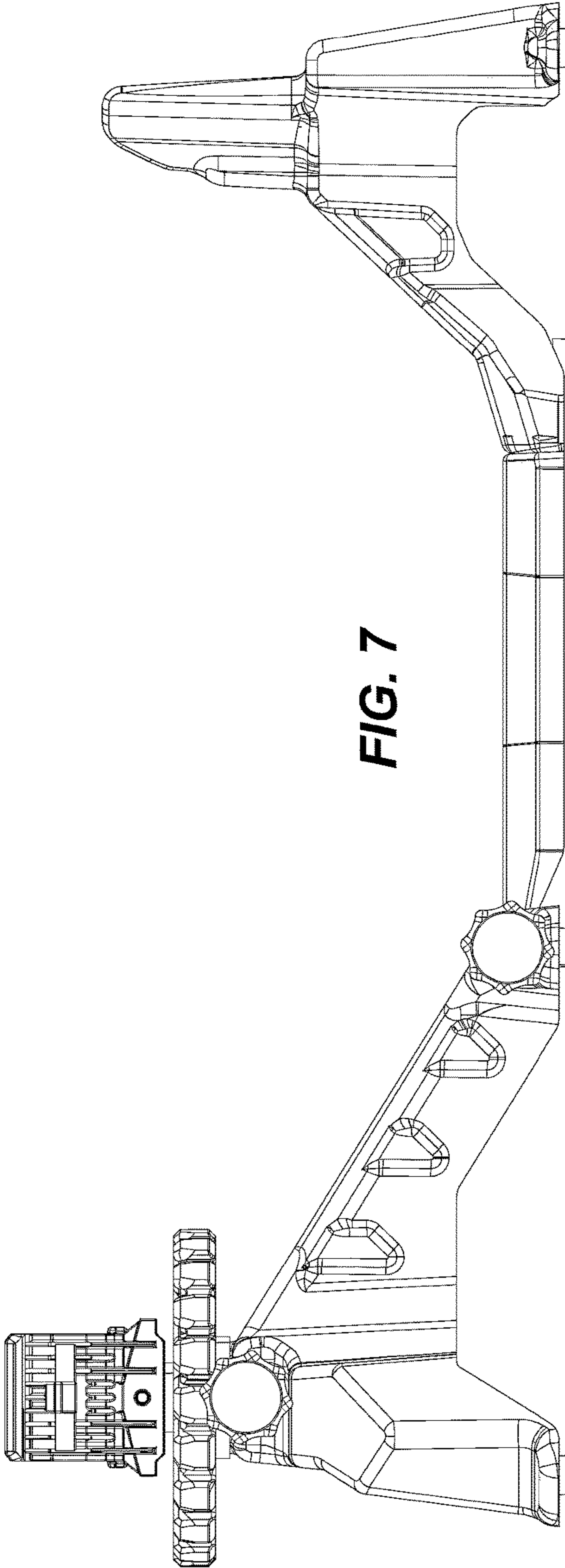


**FIG. 5**





**FIG. 6**



**FIG. 7**