



US0D1035814S

(12) **United States Design Patent**  
**Rucci et al.**

(10) **Patent No.:** **US D1,035,814 S**

(45) **Date of Patent:** **\*\* Jul. 16, 2024**

- (54) **ADJUSTABLE SHOOTING REST**
- (71) Applicant: **Good Sportsman Marketing, LLC**,  
Irving, TX (US)
- (72) Inventors: **Thomas Rucci**, Henderson, NV (US);  
**Daniel Dvorak**, Henderson, NV (US)
- (73) Assignee: **Good Sportsman Marketing, LLC**,  
Irving, TX (US)
- (\*\*) Term: **15 Years**
- (21) Appl. No.: **29/795,636**
- (22) Filed: **Jun. 18, 2021**
- (51) **LOC (14) Cl.** ..... **22-01**
- (52) **U.S. Cl.**  
USPC ..... **D22/108**
- (58) **Field of Classification Search**  
USPC ..... D22/100, 101, 103, 108, 111, 199;  
D3/254, 262; D6/552  
CPC ..... F41A 21/26; F41A 23/02; F41A 23/16;  
F41C 23/00; F41C 23/06; F41C 23/20;  
F41C 23/14  
See application file for complete search history.

- (56) **References Cited**  
**U.S. PATENT DOCUMENTS**
- D203,680 S \* 2/1966 Allison ..... D22/108
- D346,003 S \* 4/1994 Anderson ..... D22/199
- D471,248 S \* 3/2003 Jacobs ..... D22/108
- D513,055 S \* 12/2005 Lahti ..... D22/108
- D519,183 S \* 4/2006 Minneman ..... D22/108
- D521,100 S \* 5/2006 Morrow ..... D22/108
- D543,604 S \* 5/2007 Minneman ..... D22/108
- 7,730,824 B1 \* 6/2010 Black ..... F41A 23/02  
89/37.03
- 7,823,317 B2 \* 11/2010 Potterfield ..... F41A 23/16  
248/688
- 7,997,021 B2 \* 8/2011 Cauley ..... F41A 23/14  
42/94

- 8,296,988 B2 \* 10/2012 Yale ..... F41C 33/06  
73/167
  - 8,621,773 B2 \* 1/2014 Morrow ..... F41A 23/16  
42/94
  - D698,888 S \* 2/2014 Hicks ..... D22/199
  - 9,702,653 B2 \* 7/2017 Cauley, Jr. .... F41A 23/02
  - D852,536 S \* 7/2019 Arnall ..... D22/108
  - D866,700 S \* 11/2019 Skelton ..... D22/108
  - 10,782,085 B2 \* 9/2020 Cauley, Jr. .... F41A 23/16
- (Continued)

**OTHER PUBLICATIONS**

“Birchwood Casey Bravo Comfortable Durable Adjustable Rifle Shooting Rest with Rigid Steel Frame & Non-Slip Rubber Stock Rest” [online]. Birchwood Casey. [Product first available on Mar. 18, 2021]. Retrieved from the Internet: <<https://www.amazon.com/dp/B08ZFW7JR7>>.\*

(Continued)

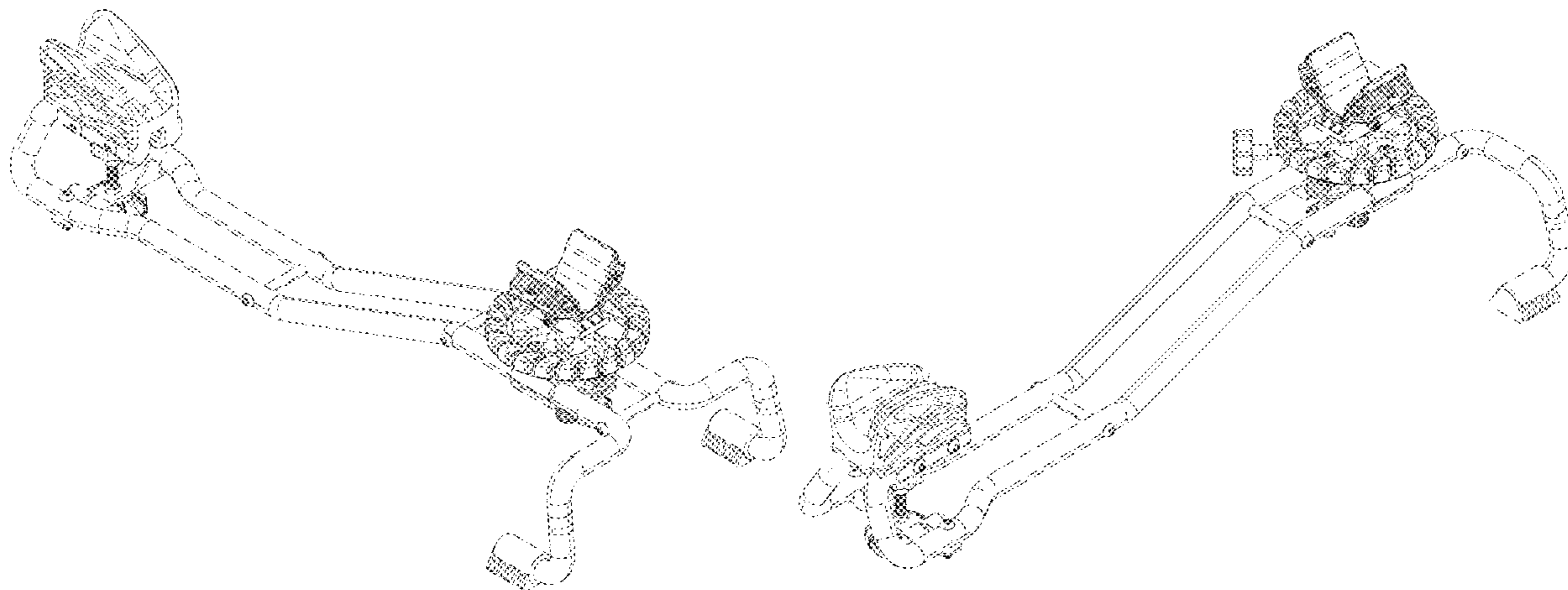
*Primary Examiner* — Mojtaba Tehrani  
(74) *Attorney, Agent, or Firm* — Cabello Hall Zinda, PLLC

(57) **CLAIM**  
The ornamental design for an adjustable shooting rest, as shown and described.

**DESCRIPTION**

FIG. 1 is a first perspective view of an adjustable shooting rest;  
FIG. 2 is a second perspective view thereof;  
FIG. 3 is a back view thereof;  
FIG. 4 is a front view thereof;  
FIG. 5 is a top view thereof;  
FIG. 6 is a bottom view thereof;  
FIG. 7 is a side view thereof; and,  
FIG. 8 is an opposite side view thereof.  
The broken line in the drawings disclose unclaimed portions of the adjustable shooting rest only and form no part of the claimed design.

**1 Claim, 4 Drawing Sheets**



(56)

**References Cited**

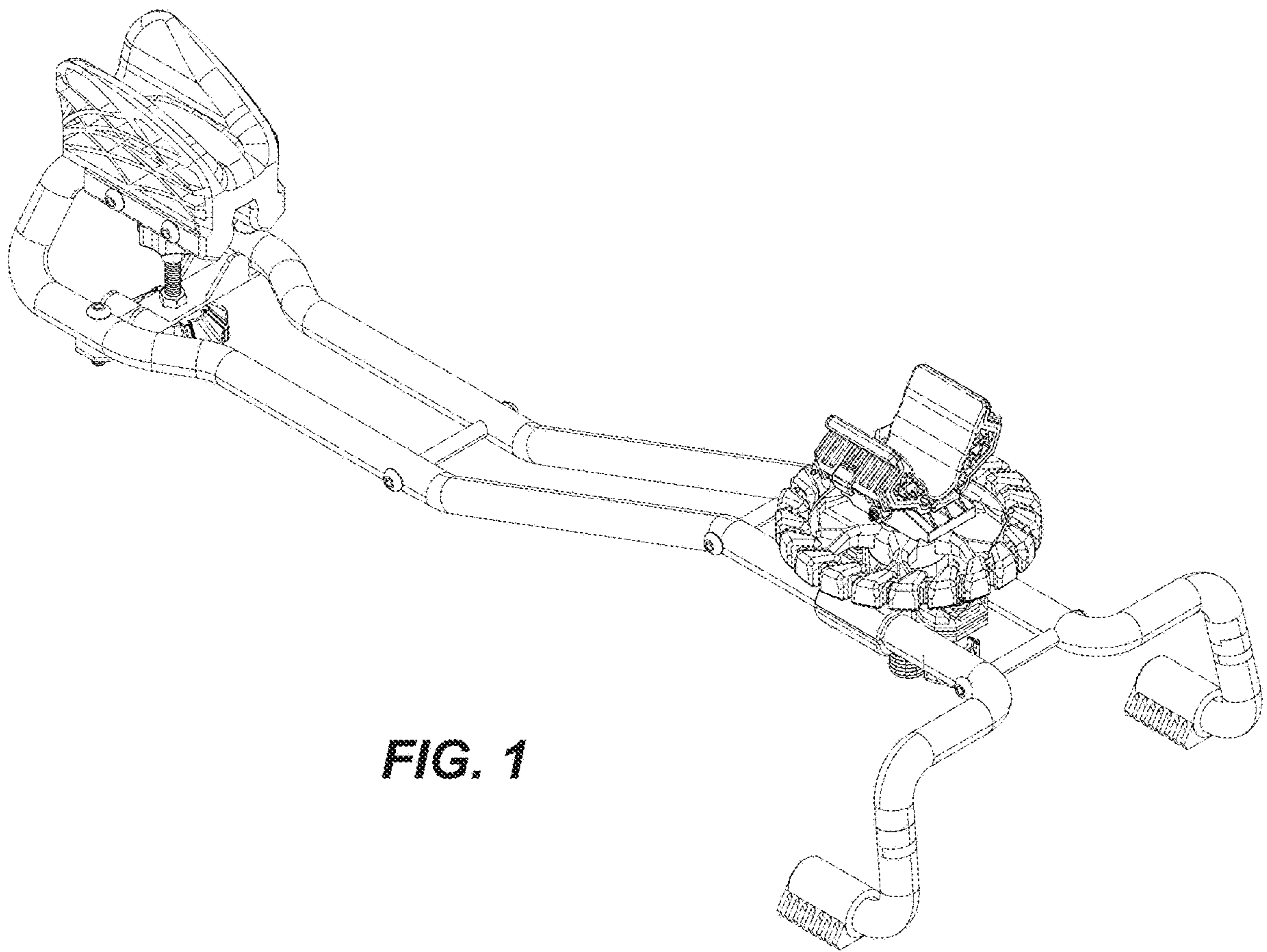
## U.S. PATENT DOCUMENTS

D899,547 S \* 10/2020 Warner ..... D22/108  
D965,737 S \* 10/2022 Lai ..... D22/199  
11,543,206 B1 \* 1/2023 Rucci ..... F41A 23/16  
D983,002 S \* 4/2023 Dvorak ..... D8/74  
2014/0237882 A1 \* 8/2014 Banes ..... F41A 23/02  
42/94  
2020/0208933 A1 \* 7/2020 Wynalda, Jr. .... F41A 23/06  
2020/0263948 A1 \* 8/2020 Cauley, Jr. .... F41A 23/16  
2021/0293504 A1 \* 9/2021 Wynalda, Jr. .... F41A 23/16  
2022/0003516 A1 \* 1/2022 Perkins, Jr. .... F41A 23/02  
2022/0404113 A1 \* 12/2022 Rucci ..... F41A 23/16

## OTHER PUBLICATIONS

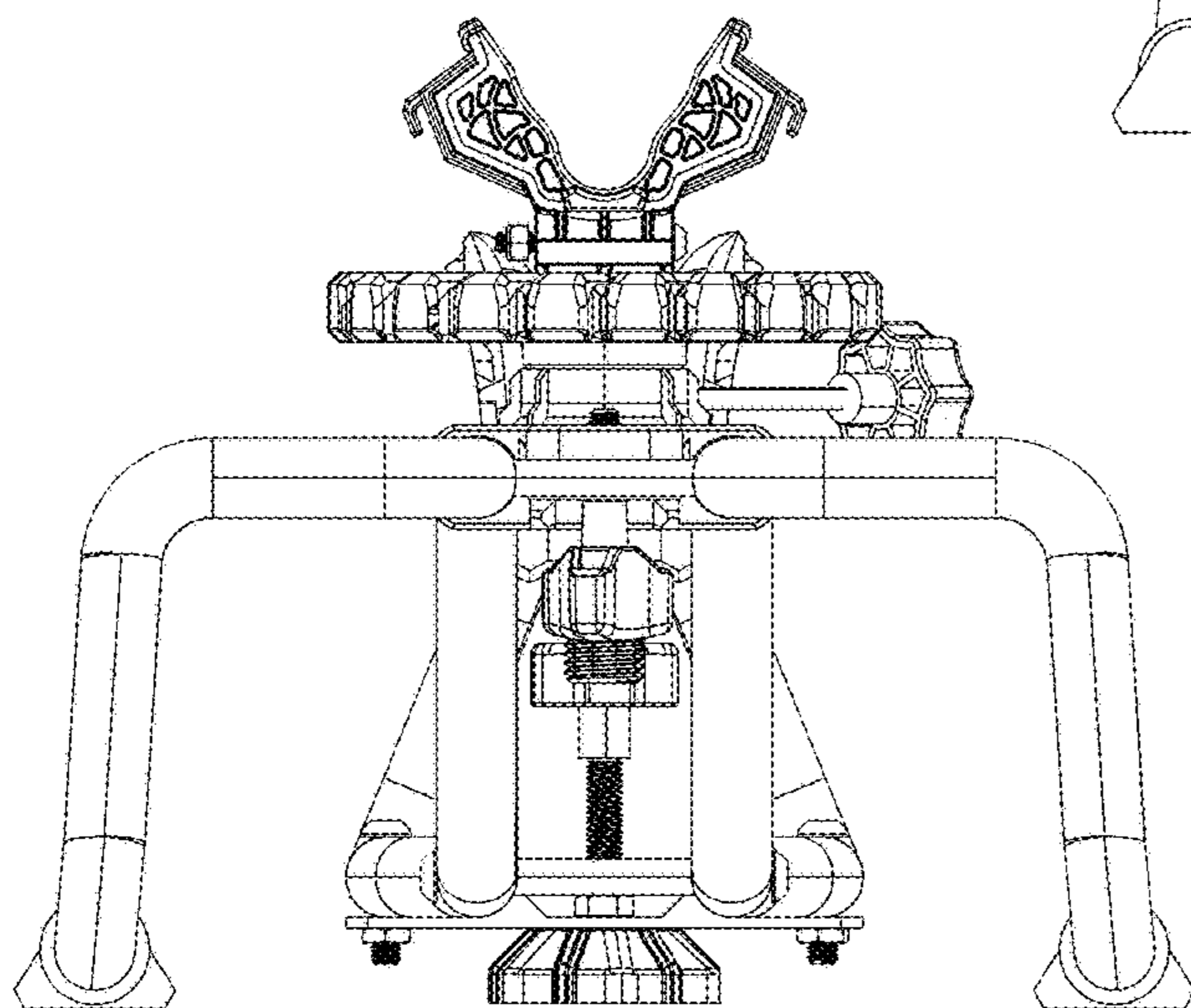
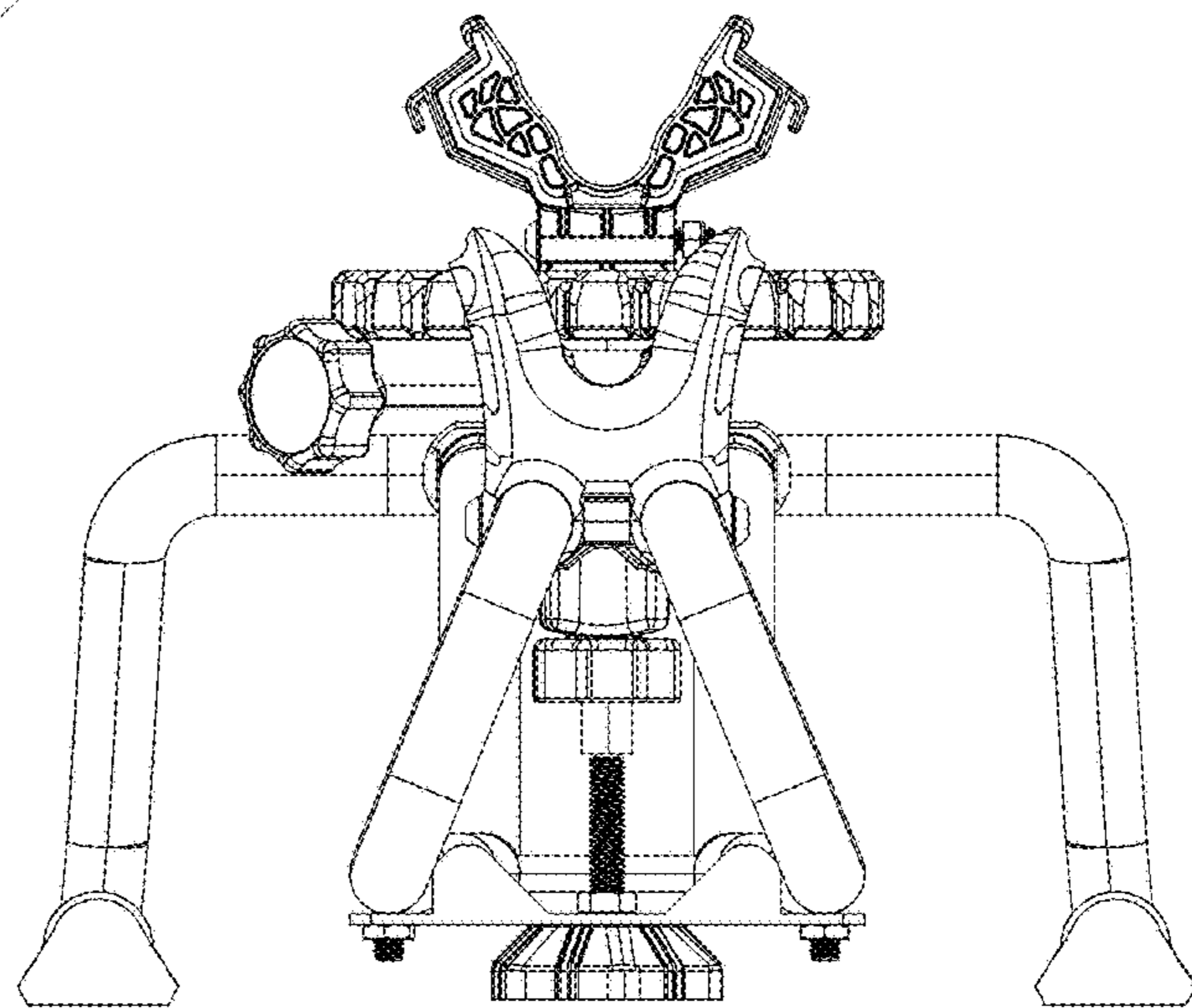
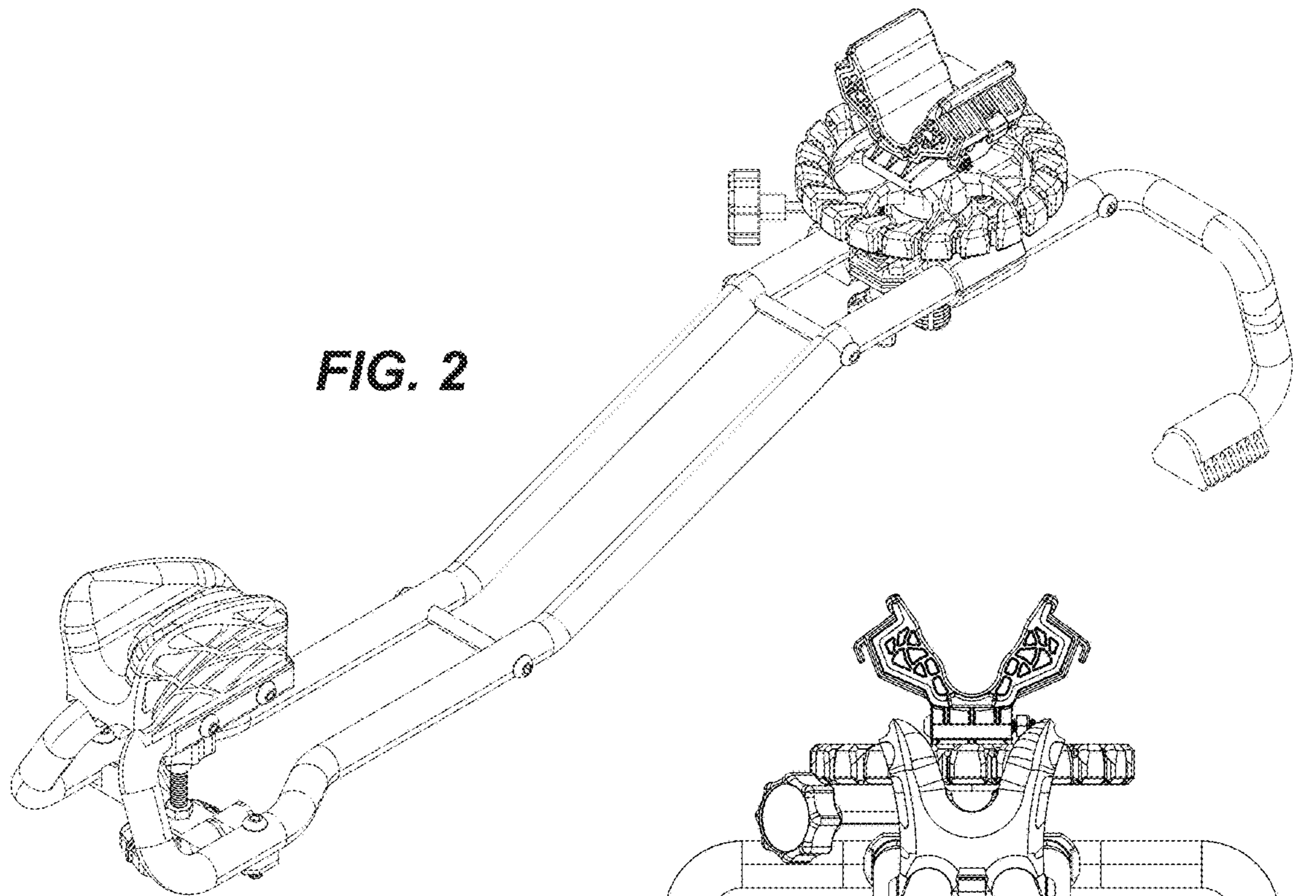
“Birchwood Casey Foxtrot Rifle & Pistol Shooting Rest—  
Comfortable Durable Adjustable Gun Rest with Non-Marring Mate-  
rial & Detachable Rear Rest—Fits Most Rifles” [online]. Birchwood  
Casey. [Product first available on Mar. 18, 2021]. Retrieved from the  
Internet: <<https://www.amazon.com/dp/B08ZG23HZ2>>.\*  
“Birchwood Casey Echo Shooting Rest—Multi” [online]. Birchwood  
Casey. [Product first available on Mar. 18, 2021]. Retrieved from the  
Internet: <<https://www.amazon.com/dp/B08ZG6Z7BC>>.\*

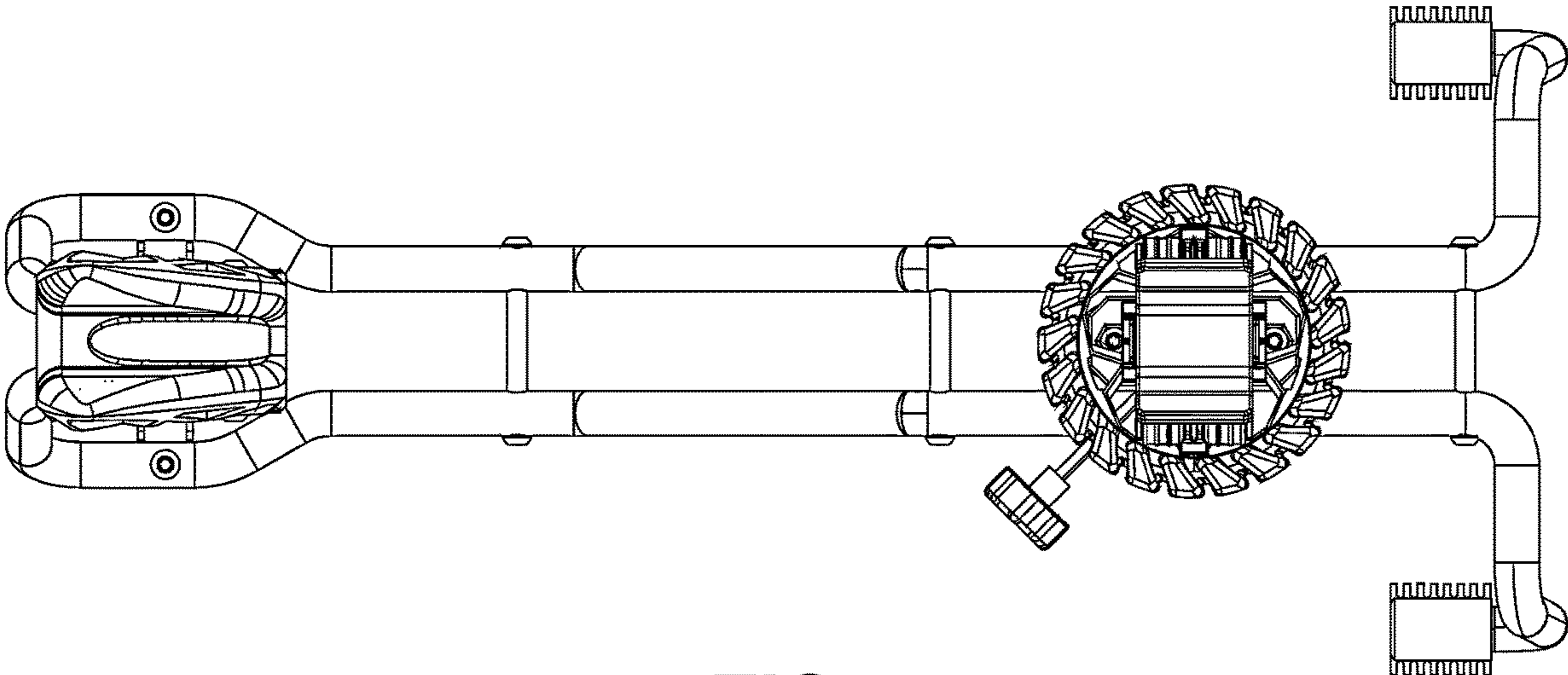
\* cited by examiner



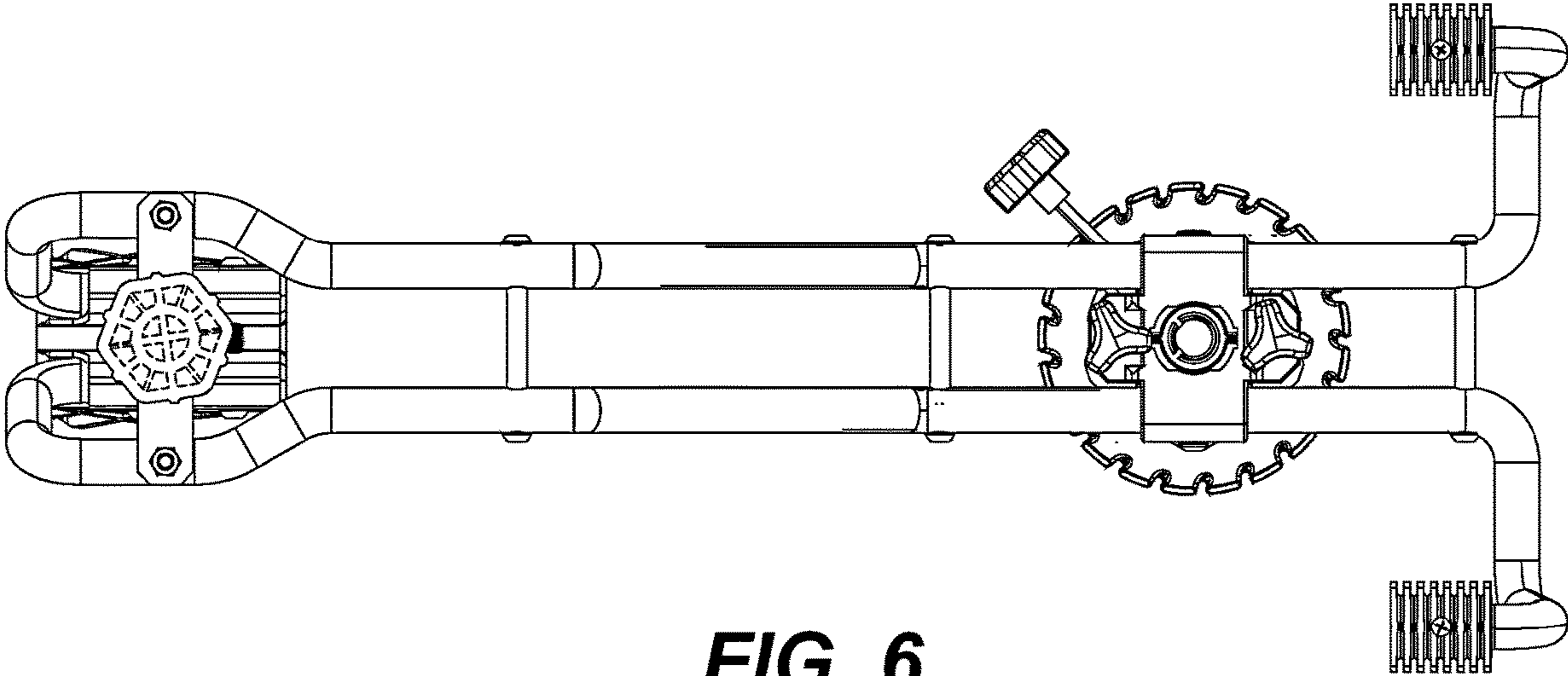
**FIG. 1**







**FIG. 5**



**FIG. 6**

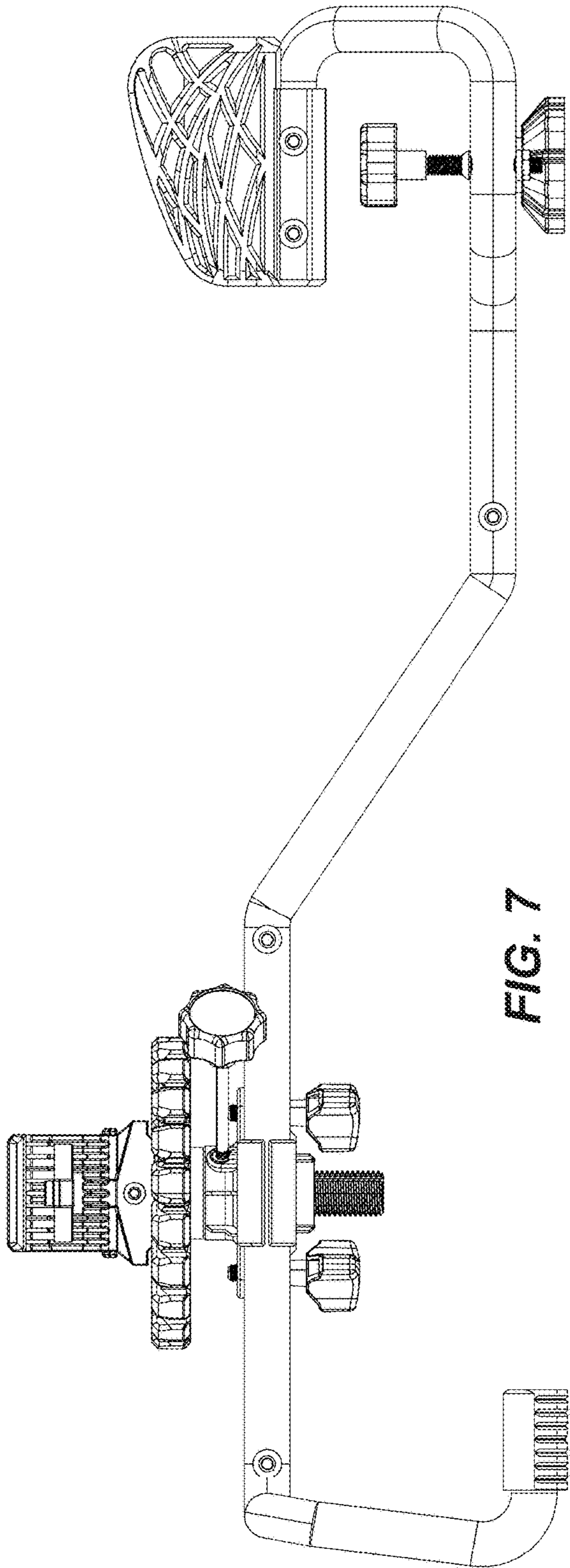


FIG. 7

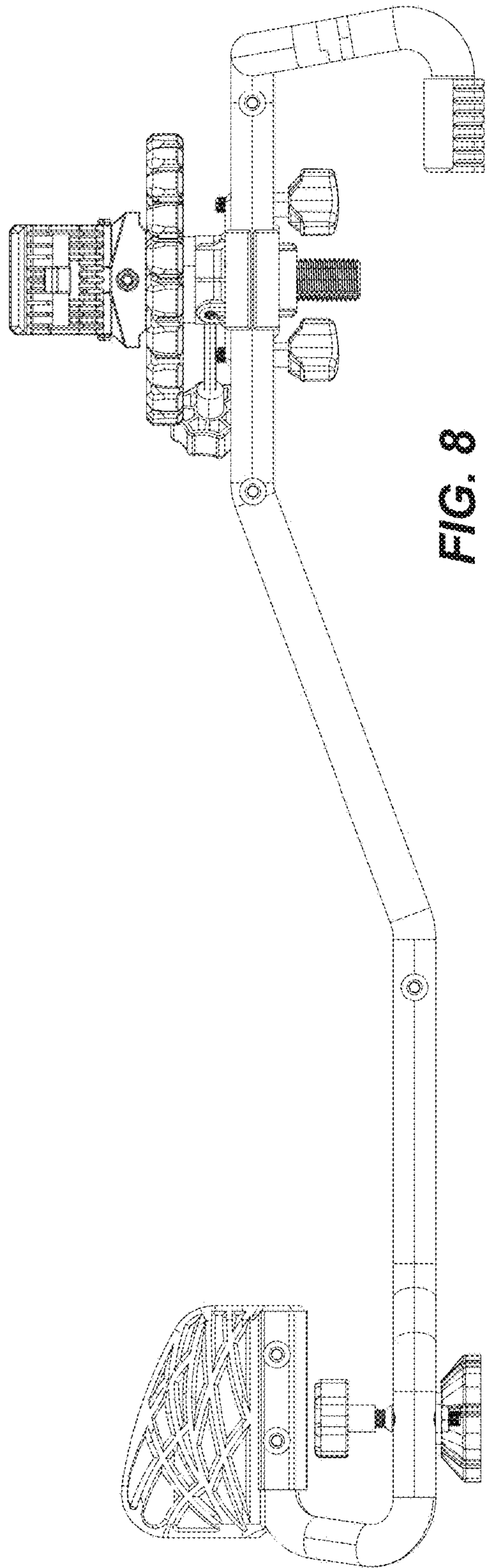


FIG. 8