



US0D1035489S

(12) **United States Design Patent**
Vaughan-Biggers et al.

(10) **Patent No.: US D1,035,489 S**

(45) **Date of Patent: ** Jul. 16, 2024**

(54) **ARTICLE OF JEWELRY**

D872,608 S * 1/2020 O'Connell D11/1
D875,592 S * 2/2020 O'Connell D11/1
D891,978 S * 8/2020 Shah D11/92

(71) Applicant: **Bella Vaughan, LLC**, Dallas, TX (US)

* cited by examiner

(72) Inventors: **LoriAnn Vaughan-Biggers**, Dallas, TX (US); **Rotem Fartook**, Dallas, TX (US)

Primary Examiner — Llorellys Martinez-Rivera

(73) Assignee: **Bella Vaughan, LLC**, Dallas, TX (US)

(57) **CLAIM**

(**) Term: **15 Years**

The ornamental design for an article of jewelry, as shown and described.

(21) Appl. No.: **29/840,912**

DESCRIPTION

(22) Filed: **Jun. 1, 2022**

(51) **LOC (14) Cl.** **11-01**

(52) **U.S. Cl.**
USPC **D11/92; D11/1**

(58) **Field of Classification Search**
USPC D11/1-5, 16, 26-39, 40, 63, 79, 84, 86, D11/91, 92

CPC A44C 7/00; A44C 7/001; A44C 7/002; A44C 9/00; A44C 9/0007; A44C 9/0038; A44C 9/02; A44C 17/001; A44C 17/002; A44C 17/02; A44C 17/0208; A44C 17/0241; A44C 17/0258; A44C 17/0275; A44C 17/0283

See application file for complete search history.

FIG. 1 is a front perspective view of an article of jewelry showing our new design;

FIG. 2 is a front elevation view of the article of jewelry of FIG. 1;

FIG. 3 is a rear elevation view of the article of jewelry of FIG. 1;

FIG. 4 is a right side view of the article of jewelry of FIG. 1;

FIG. 5 is a left side view of the article of jewelry of FIG. 1;

FIG. 6 is a top side view of the article of jewelry of FIG. 1;

FIG. 7 is a bottom side view of the article of jewelry of FIG. 1;

FIG. 8 is a rear perspective view of the article of jewelry of FIG. 1;

FIG. 9 is a perspective view of the article of jewelry of FIG. 1, shown in a state of use;

FIG. 10 is another perspective view of the article of jewelry of FIG. 1, shown in a state of use; and,

FIG. 11 is another environmental perspective view of the article of jewelry of FIG. 1, shown in a state of use.

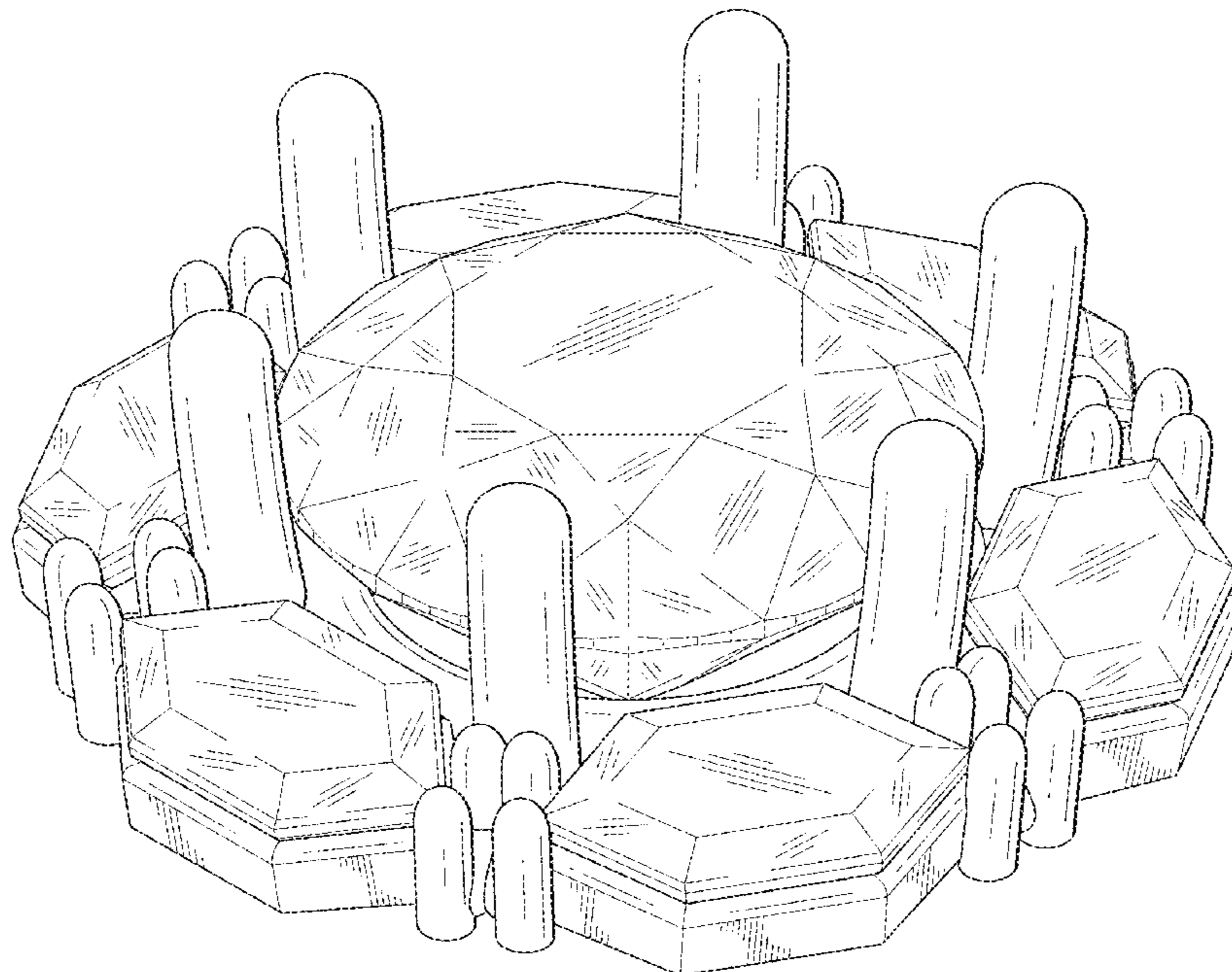
The broken lines shown in the drawings represent environmental subject matter only and form no part of the claimed design.

(56) **References Cited**

U.S. PATENT DOCUMENTS

D44,797 S * 10/1913 Mountford D11/92
D239,651 S * 4/1976 Hess D11/92
D431,012 S * 9/2000 Raviv D11/91
D460,379 S * 7/2002 Raviv D11/91
D466,828 S * 12/2002 Pinto D11/91
D553,543 S * 10/2007 Kothari D11/92
D780,022 S * 2/2017 Yatsugi-Kang D11/34

1 Claim, 9 Drawing Sheets



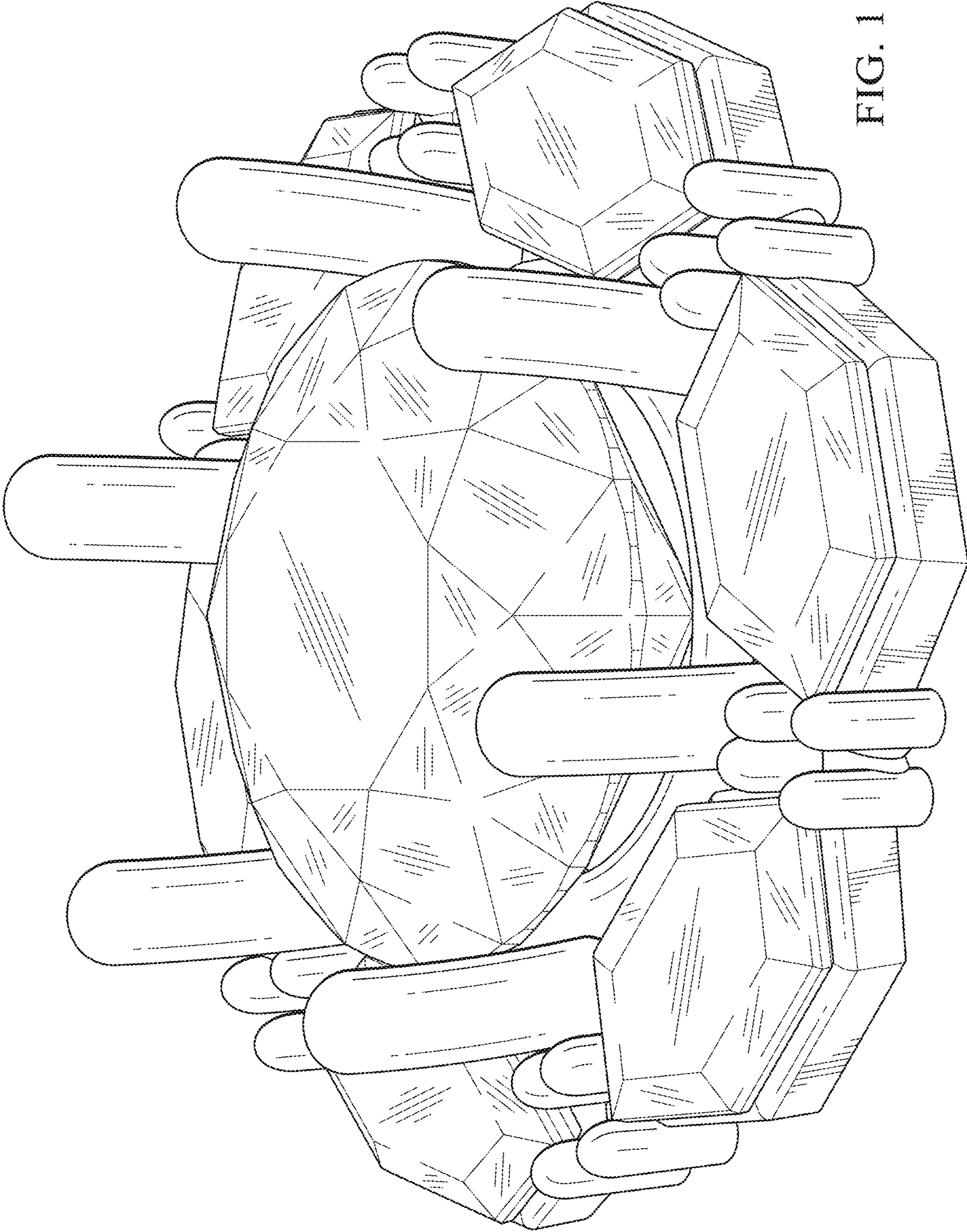


FIG. 1

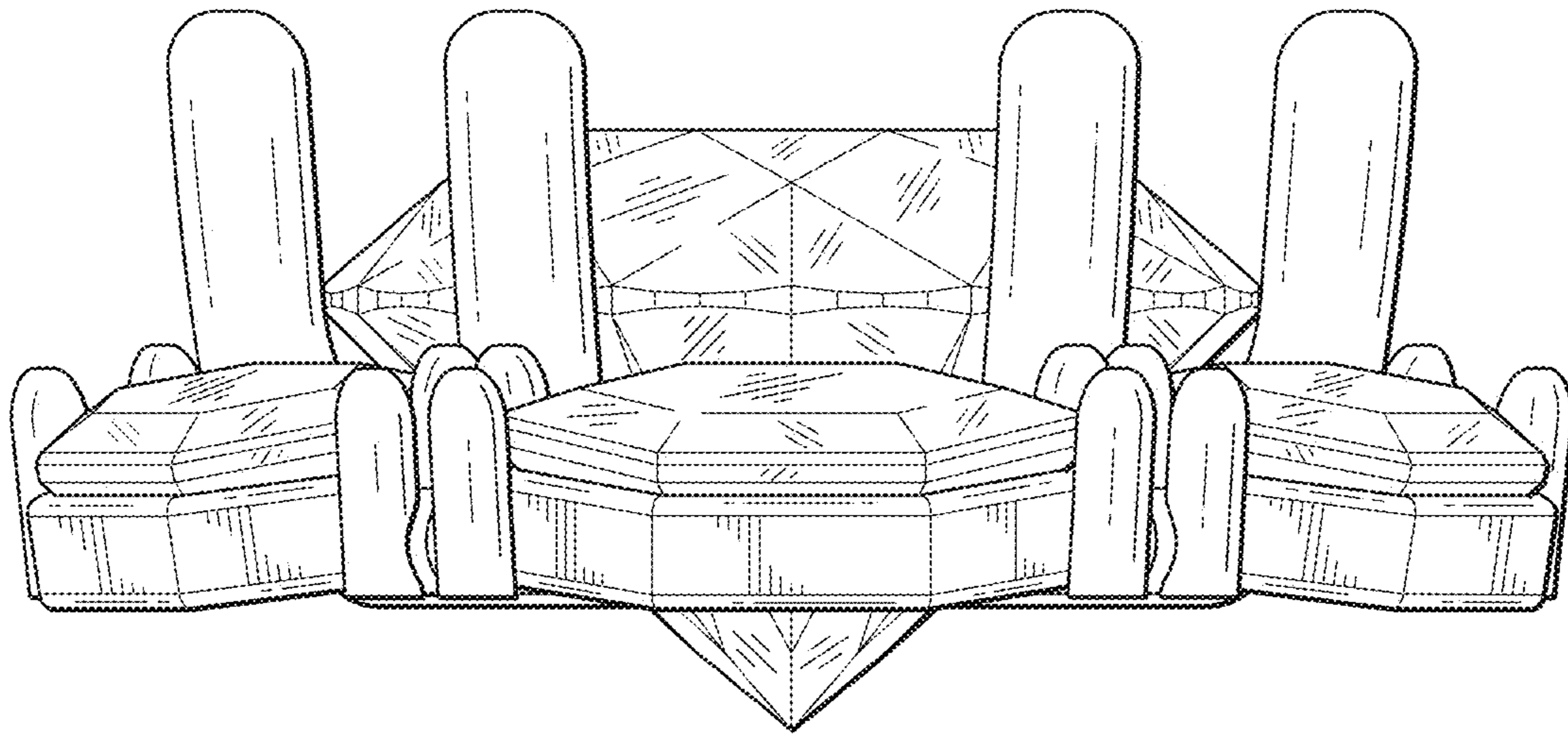


FIG. 2

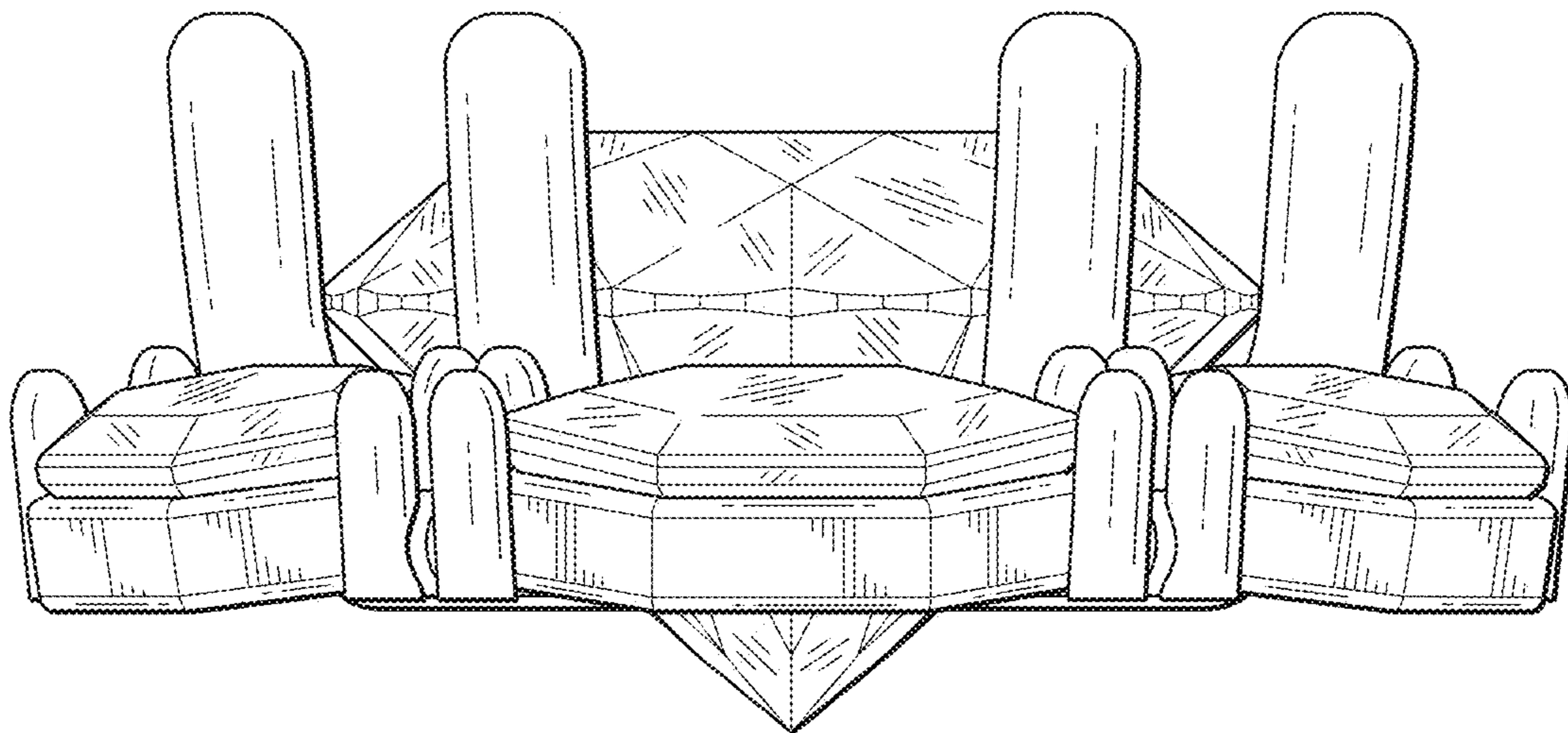


FIG. 3

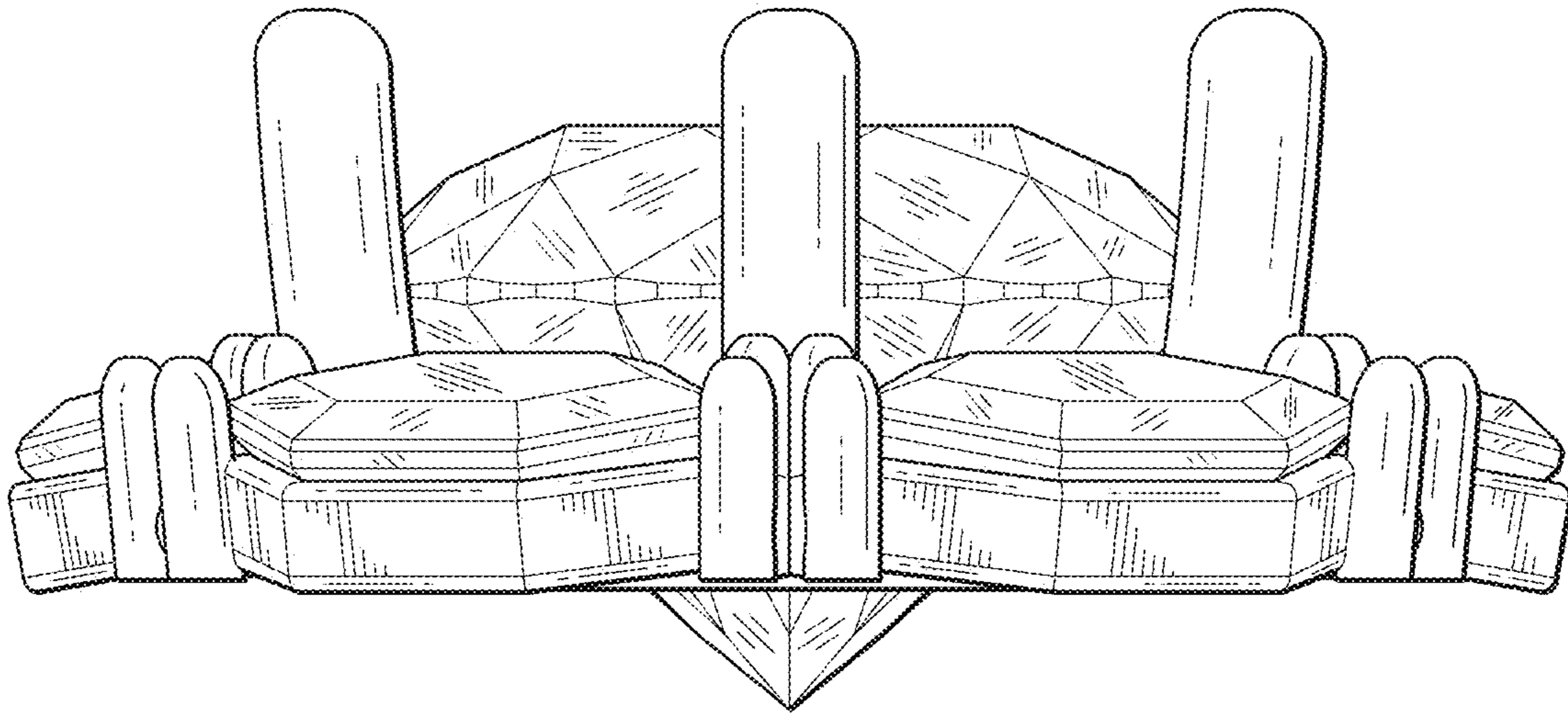


FIG. 4

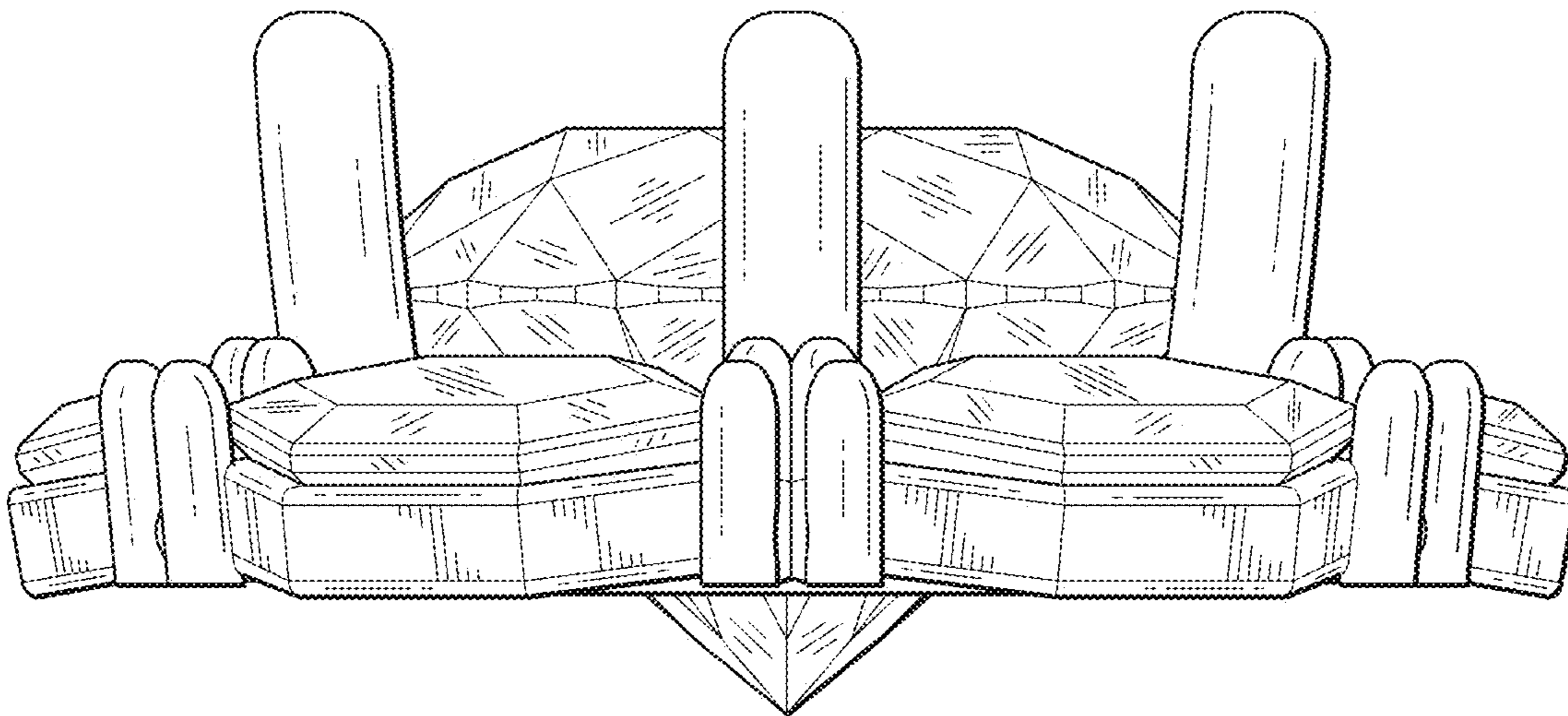


FIG. 5

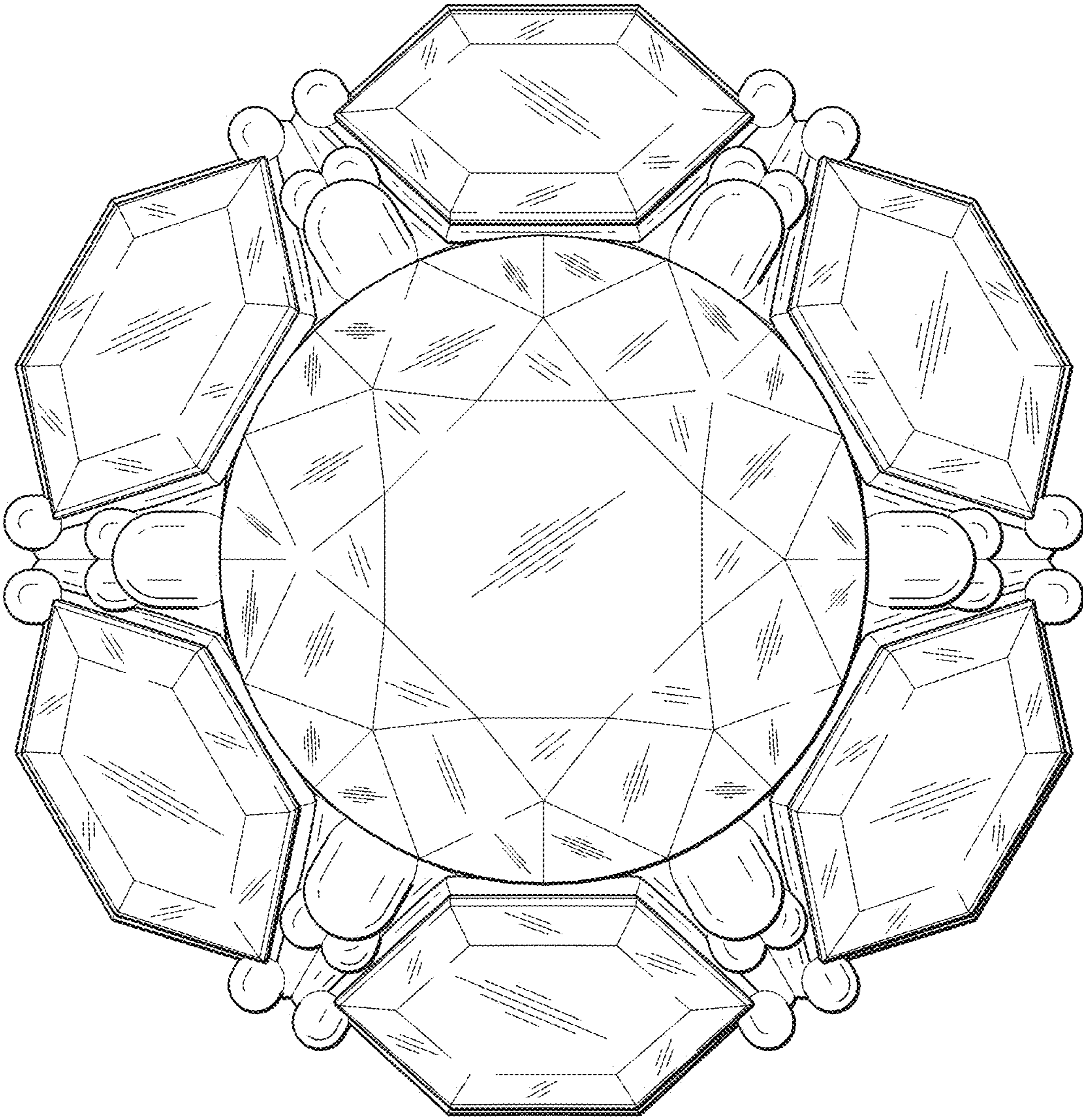


FIG. 6

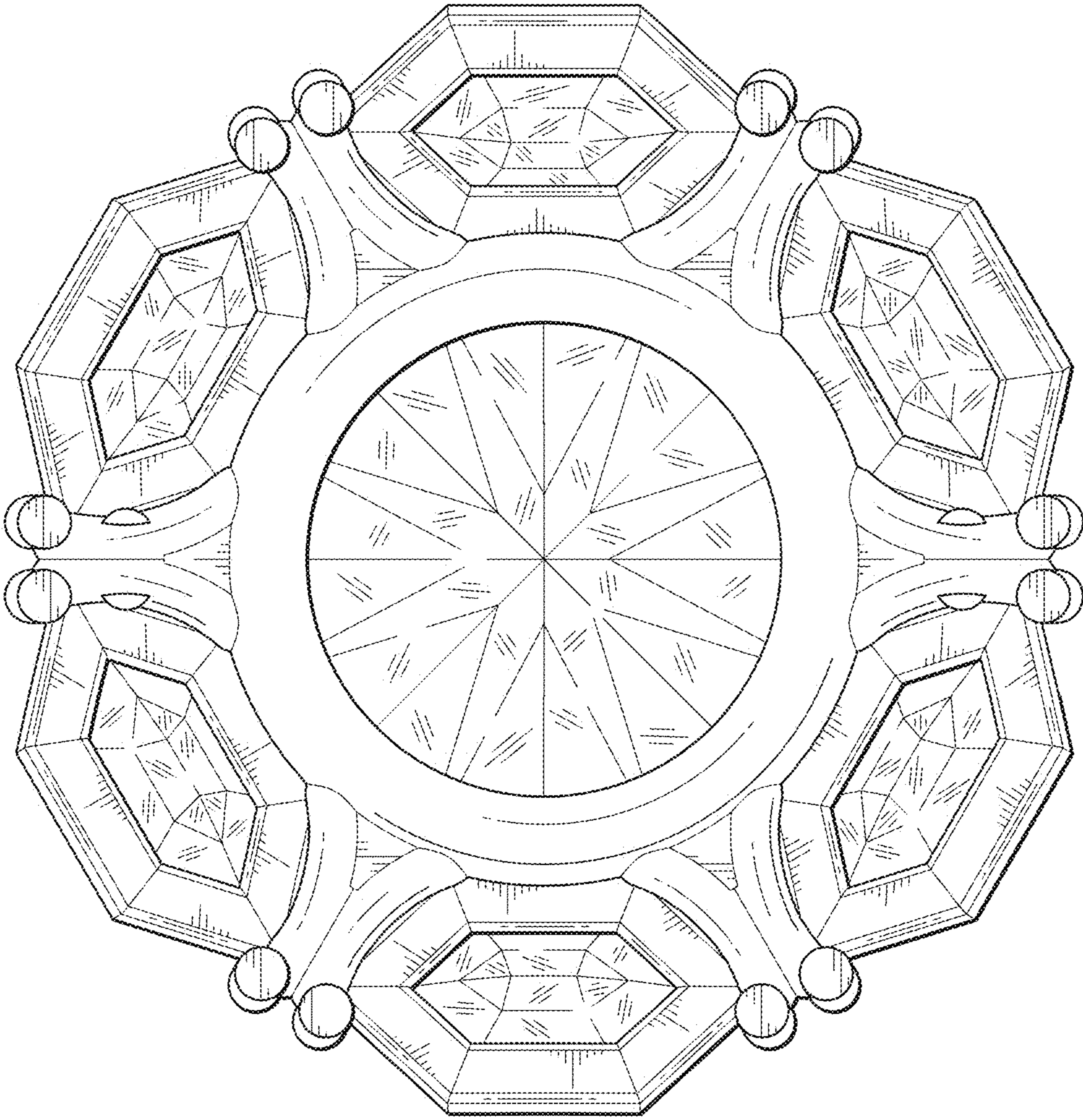


FIG. 7

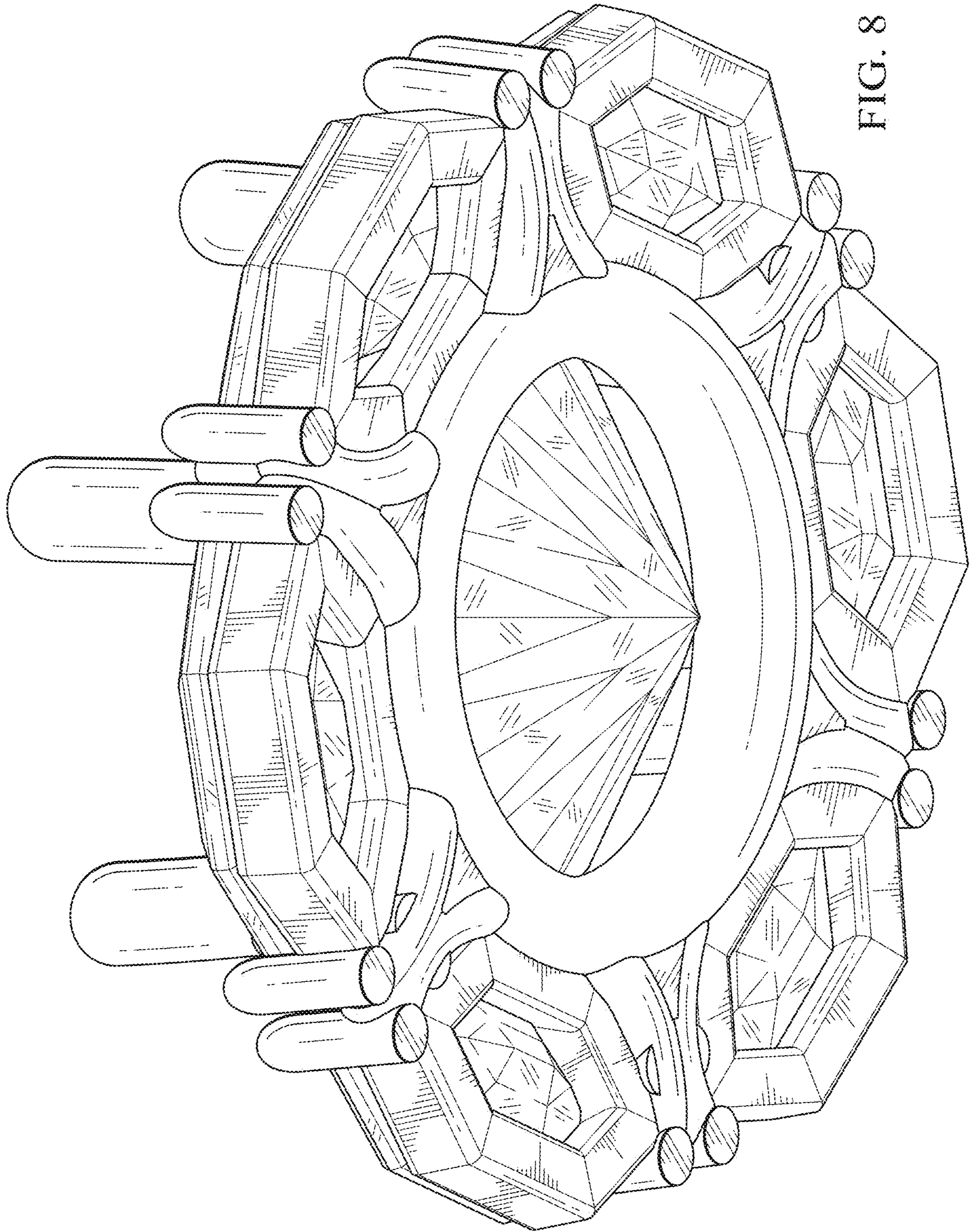


FIG. 8

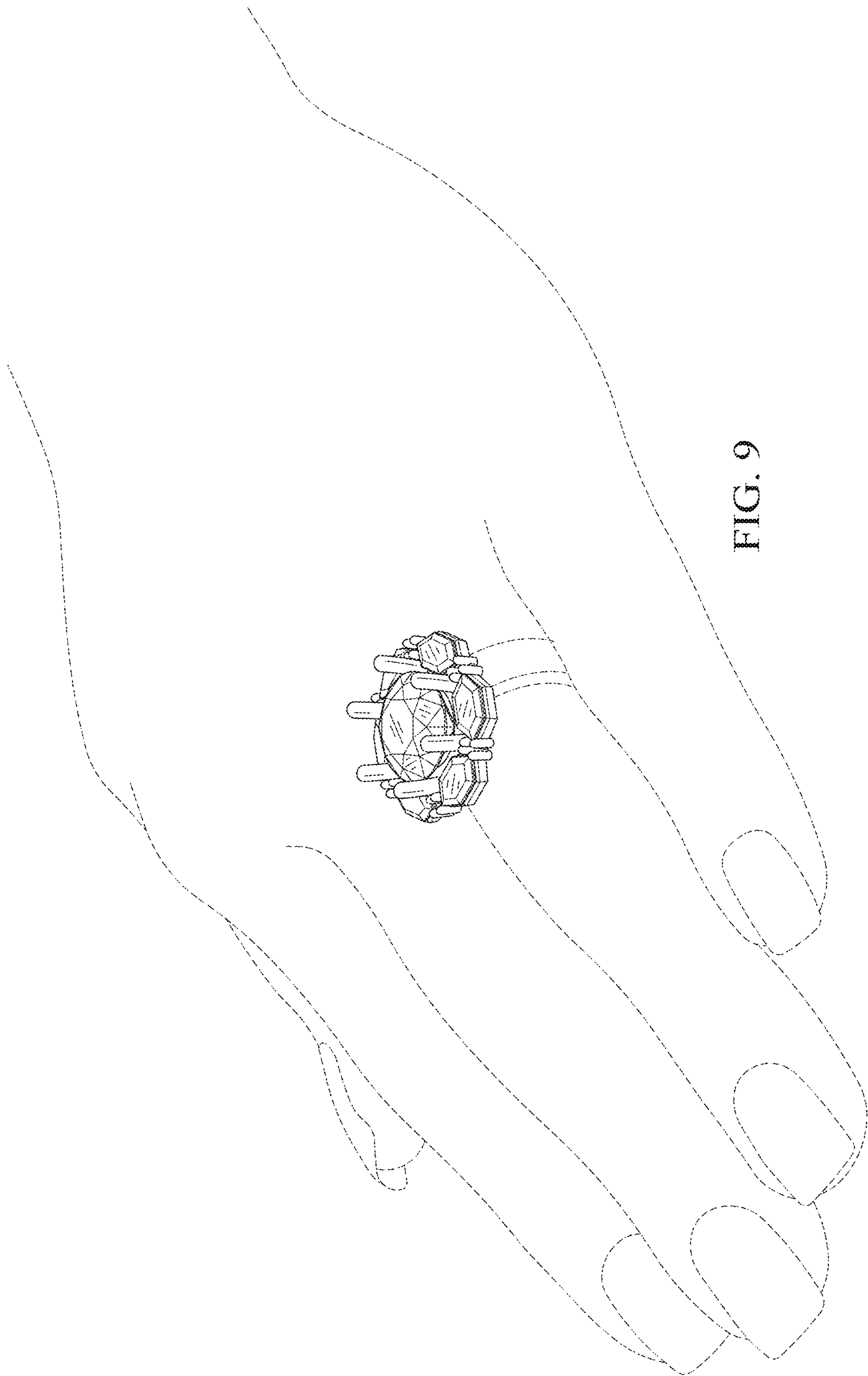


FIG. 9



FIG. 10

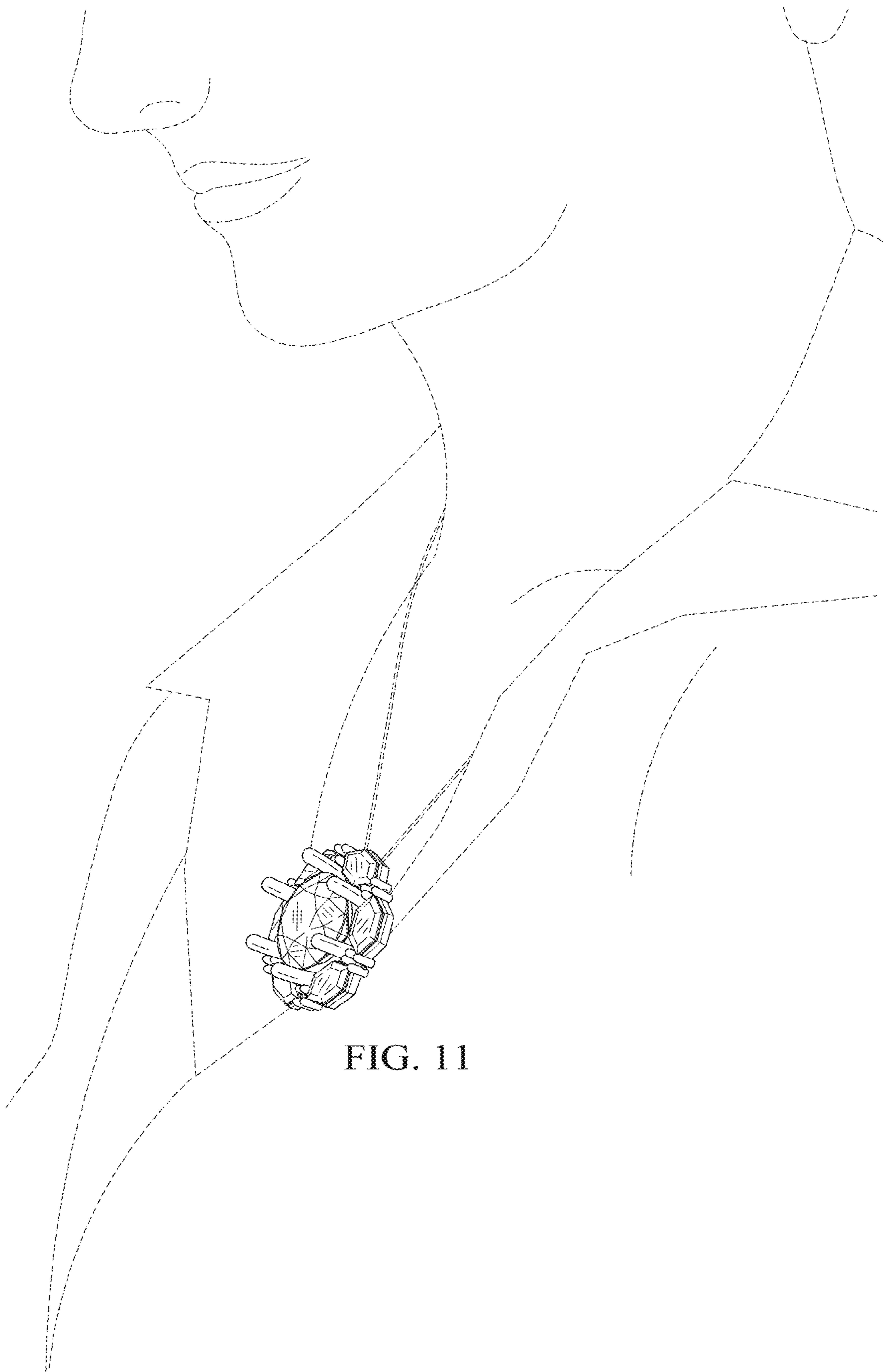


FIG. 11