



US0D1035420S

(12) **United States Design Patent**
Hix et al.

(10) **Patent No.: US D1,035,420 S**

(45) **Date of Patent: ** Jul. 16, 2024**

(54) **MODEL VEHICLE WORK STAND ASSEMBLY**

(71) Applicant: **TRAXXAS, L.P.**, McKinney, TX (US)

(72) Inventors: **Caleb Hix**, McKinney, TX (US); **Adam Cole Ewing**, McKinney, TX (US); **Otto Karl Allmendinger**, Rowlett, TX (US); **Kent Potteet**, Lucas, TX (US); **Ross Martin**, Roanoke, TX (US)

(73) Assignee: **TRAXXAS, L.P.**, McKinney, TX (US)

(**) Term: **15 Years**

(21) Appl. No.: **29/886,187**

(22) Filed: **Mar. 6, 2023**

(51) **LOC (14) Cl.** **08-05**

(52) **U.S. Cl.**
USPC **D8/354; D8/380**

(58) **Field of Classification Search**
USPC D34/28, 31; D21/483, 533, 548, 561;
D8/380, 354
CPC F16M 11/00; F16M 11/28; A63H 30/00;
A63H 17/00; A63H 17/002; A47F 7/00
See application file for complete search history.

(56) **References Cited**

U.S. PATENT DOCUMENTS

3,216,160	A	*	11/1965	Best	E04F 11/028 52/715
D241,612	S	*	9/1976	Matousek et al.	D8/354
D242,766	S	*	12/1976	Neece	D8/380
D257,663	S	*	12/1980	McKee	D8/354
D257,664	S	*	12/1980	McKee	D8/354
4,582,500	A	*	4/1986	Hanson	A63H 17/44 446/423
D342,011	S	*	12/1993	Maguire	D8/349
D489,377	S	*	5/2004	van Kuijk	D14/451
D513,171	S	*	12/2005	Richardson	D8/394

D523,803	S	*	6/2006	Smith	D8/394
D561,189	S	*	2/2008	Wohlford	D14/451
D579,402	S	*	10/2008	Ball	D12/223
D654,350	S	*	2/2012	Preda	D8/354
D667,718	S	*	9/2012	Preda	D8/354

(Continued)

OTHER PUBLICATIONS

Beyee RC Car Repair Station (online), (dated: Feb. 21, 2022)
Retrieved from Internet (May 3, 2024), URL: <https://www.amazon.co.uk/dp/B09SYXTXLP> (2 pages) (Year: 2022).*

(Continued)

Primary Examiner — Kimberly Barnes

Assistant Examiner — Sarah A Nguyen

(74) *Attorney, Agent, or Firm* — Daryl R. Wright; Greg Carr

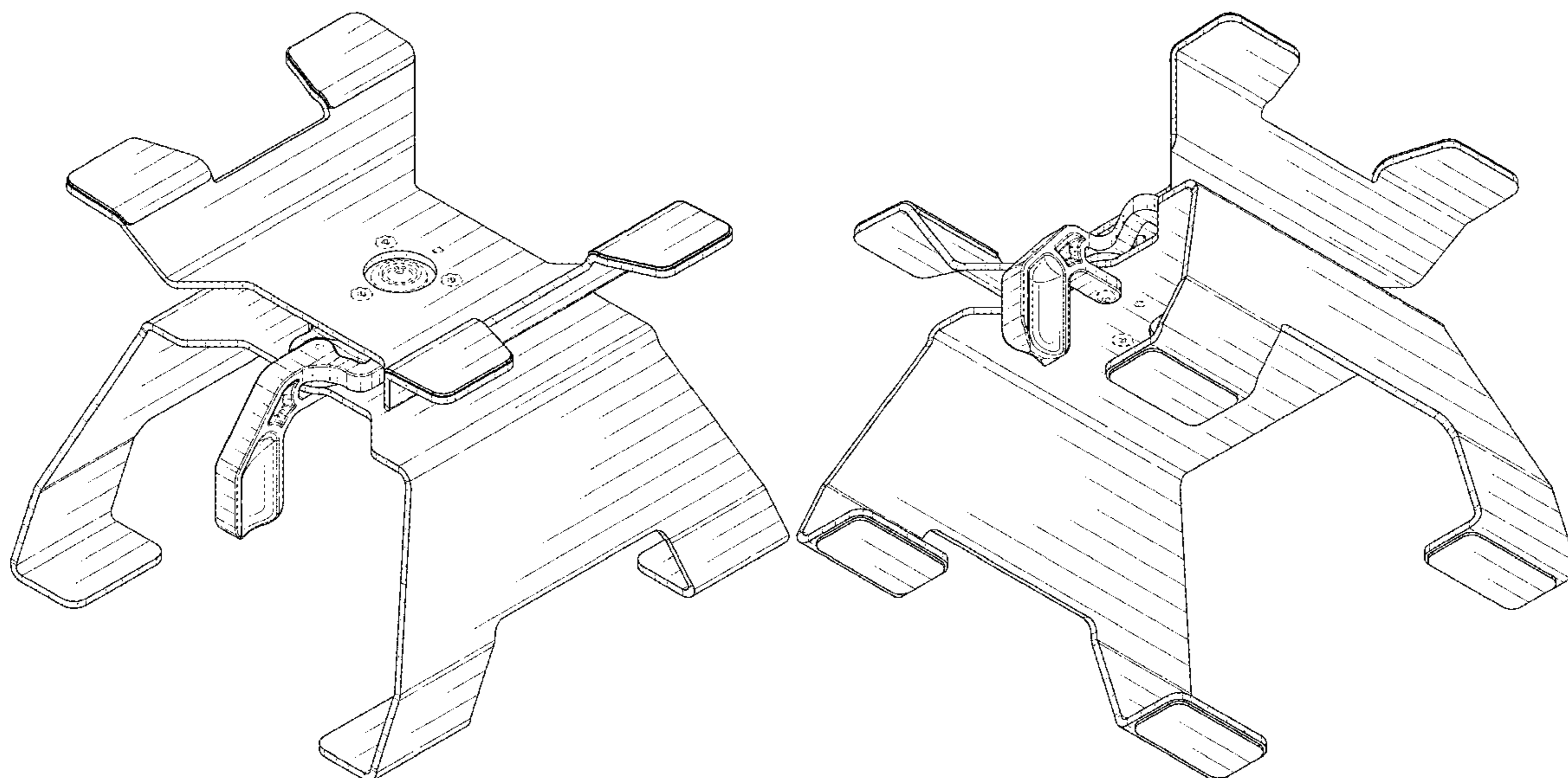
(57) **CLAIM**

We claim the ornamental design for a model vehicle work stand assembly, as shown and described.

DESCRIPTION

FIG. 1 is an upper, left, front perspective view of a model vehicle work stand assembly showing our new design; FIG. 2 is a front elevation view thereof; FIG. 3 is a rear elevation view thereof; FIG. 4 is an upper plan view thereof; FIG. 5 is a lower plan view thereof; FIG. 6 is a right side elevation view thereof; FIG. 7 is a left side elevation view thereof; FIG. 8 is an upper, right, rear perspective view thereof; and, FIG. 9 is a lower, left, front perspective view of the model vehicle work stand assembly. In the drawings, the broken lines illustrate portions of the model vehicle work stand assembly that form no part of the claimed design.

1 Claim, 6 Drawing Sheets



(56)

References Cited

U.S. PATENT DOCUMENTS

8,430,710 B2 * 4/2013 Woessner A63H 17/002
446/95
D695,592 S * 12/2013 White D8/354
D767,973 S * 10/2016 DeDios-Shirley D8/349
D821,851 S * 7/2018 Stahl D8/382
D835,972 S * 12/2018 Patil F01N 13/1855
D8/354
D863,040 S * 10/2019 DeDios-Shirley D8/354
D869,936 S * 12/2019 Smith D8/349
D906,095 S * 12/2020 DeDios-Shirley D8/354
D946,570 S * 3/2022 Ded D14/349
D965,414 S * 10/2022 Myers D8/354
D970,602 S * 11/2022 Stanley D17/20
D999,123 S * 9/2023 Smith D8/382
2003/0138309 A1 * 7/2003 Kozak B66F 7/18
414/672
2003/0155474 A1 * 8/2003 Dean G11B 33/124
248/300
2007/0084977 A1 * 4/2007 Hall F16M 13/02
248/125.7

OTHER PUBLICATIONS

EcoPower Rotating Aluminum Car Stand (online), (dated: Aug. 8, 2020) Retrieved from Internet (May 2, 2024), URL: <https://www.amainhobbies.com/ecopower-rotating-1-10-1-8-aluminum-car-stand->

w-shock-holder-ecp-3001/p1154834#tab-feedback (2 pages) (Year: 2020).*

Hobbypark RC Car Work Stand Repair Workstation (online), (dated: Feb. 11, 2020) Retrieved from Internet (May 3, 2024), URL: <https://www.amazon.com/dp/B07QL21HM7> (4 pages) (Year: 2020).*

Nuofan RC Car Work Stand Aluminum Repair Workstation (online), (dated: Jul. 26, 2022) Retrieved from Internet (May 3, 2024), URL: <https://www.amazon.com/dp/B08G55KQ7L> (3 pages) (Year: 2022).*

QUE-T Aluminum Rotating RC Car Stand (online), (dated: Apr. 25, 2020) Retrieved from Internet (May 2, 2024), URL: <https://www.amazon.com/dp/B073F7KLVV> (3 pages) (Year: 2020).*

Traxxas 8796 Blue Aluminum Scale RC Car Stand (online), (dated: Oct. 24, 2023) Retrieved from Internet (May 3, 2024), URL: <https://www.amazon.com/dp/B0CJP3C7SC> (3 pages) (Year: 2023).*

Traxxas Aluminum RC Car Stand model 8796-blue (online), (dated: Nov. 1, 2023) Retrieved from Internet (May 3, 2024), URL: <https://traxxas.com/products/parts/8796-BLUE> (3 pages) (Year: 2023).*

Traxxas X-Truck Stand Model No. 8797-Blue (online), (dated: Nov. 1, 2023) Retrieved from Internet (May 3, 2024), URL: <https://traxxas.com/products/parts/8797-BLUE> (2 pages) (Year: 2023).*

Fastrax Black Anodised Aluminum Car Pit Stand (online), (dated: Jan. 18, 2018) Retrieved from Internet (May 2, 2024), URL: <https://www.amazon.co.uk/dp/B06X1FM8G6> (2 pages) (Year: 2018).

JConcepts Metal Car Stand Black JCO29032 (online), (dated: Mar. 25, 2023) Retrieved from Internet (May 2, 2024), URL: <https://www.horizonhobby.com/product/jconcepts-metal-car-stand-black/JCO29032.html> (2 pages) (Year: 2023).

* cited by examiner

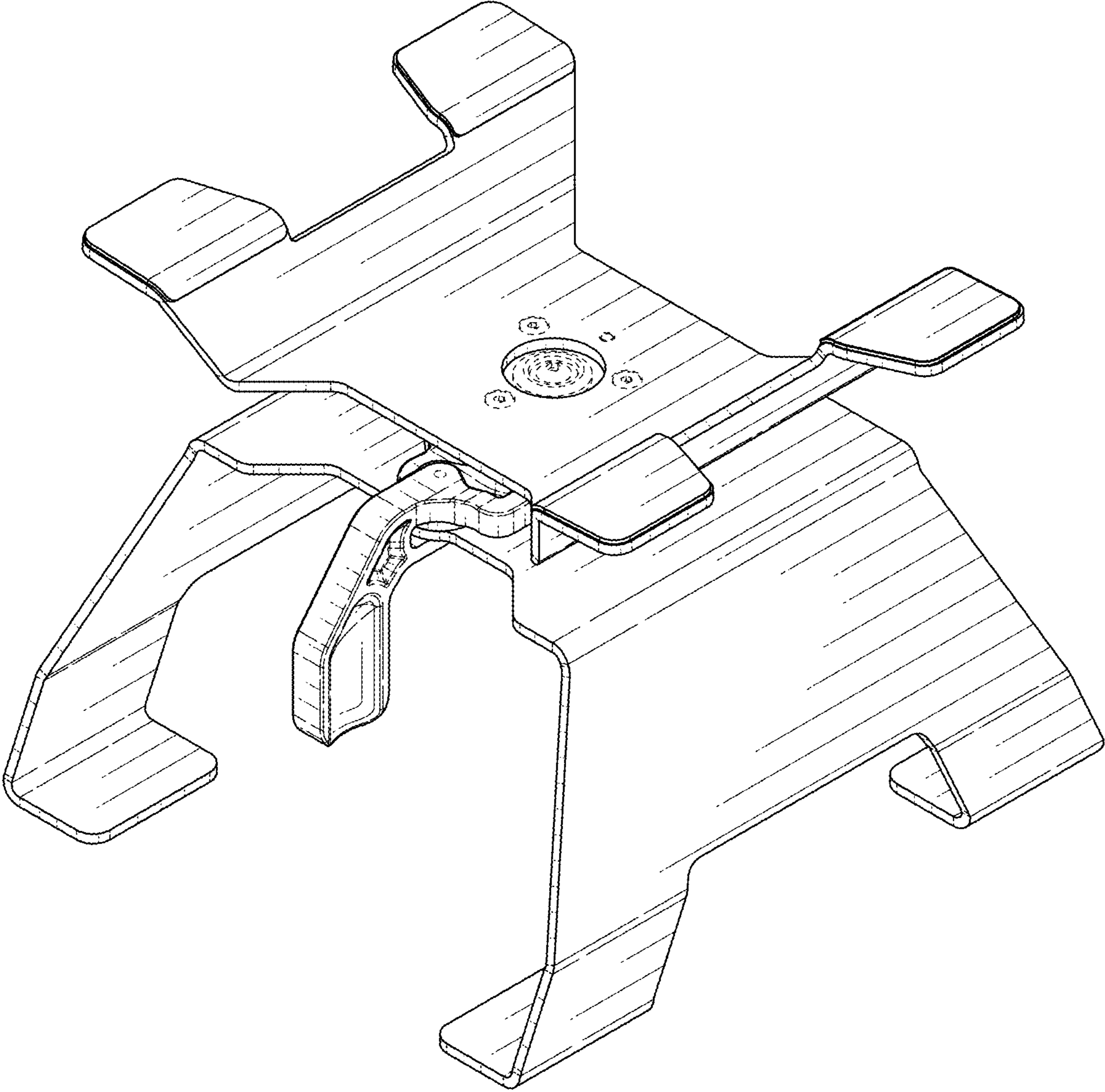


FIG. 1

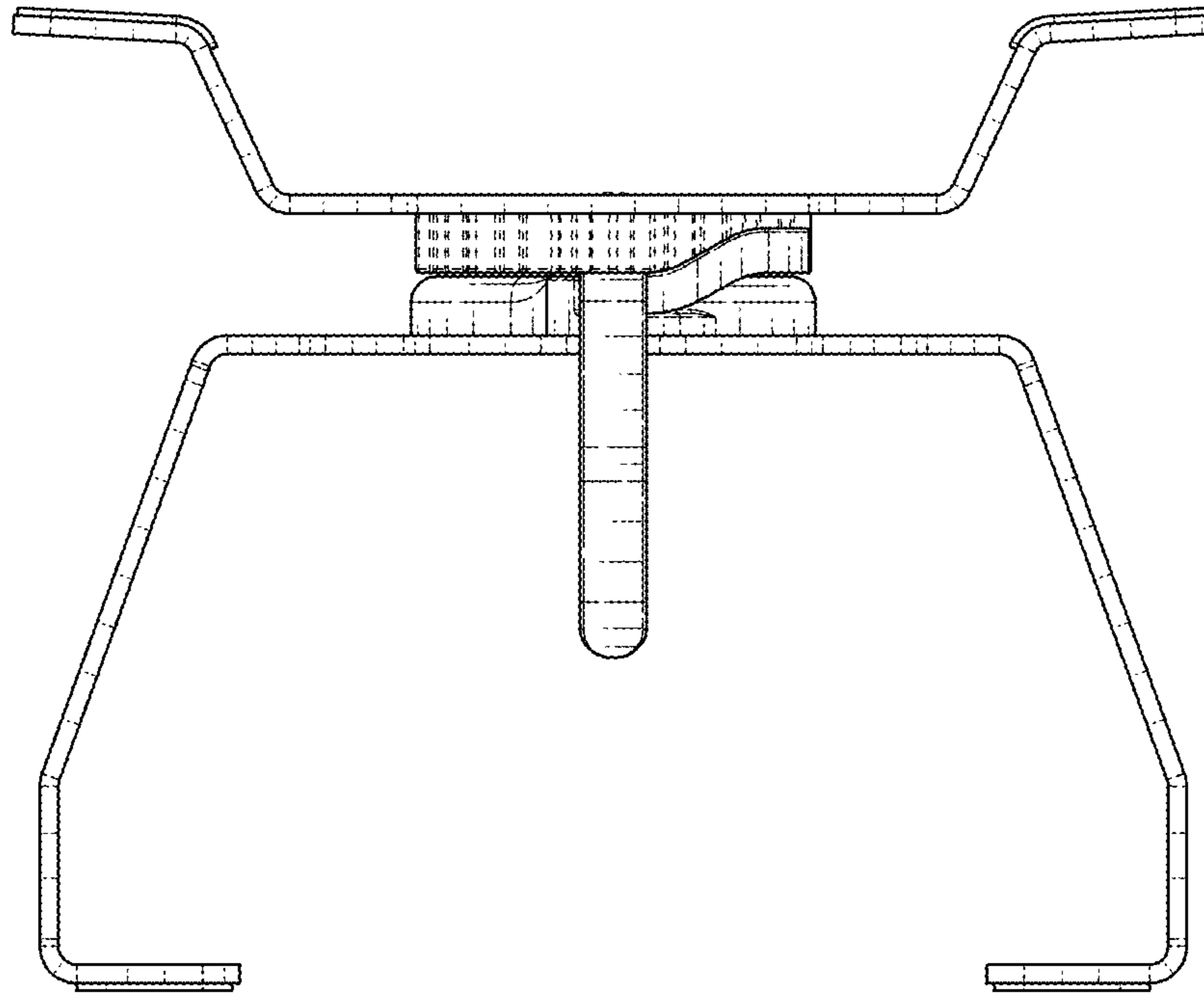


FIG. 2

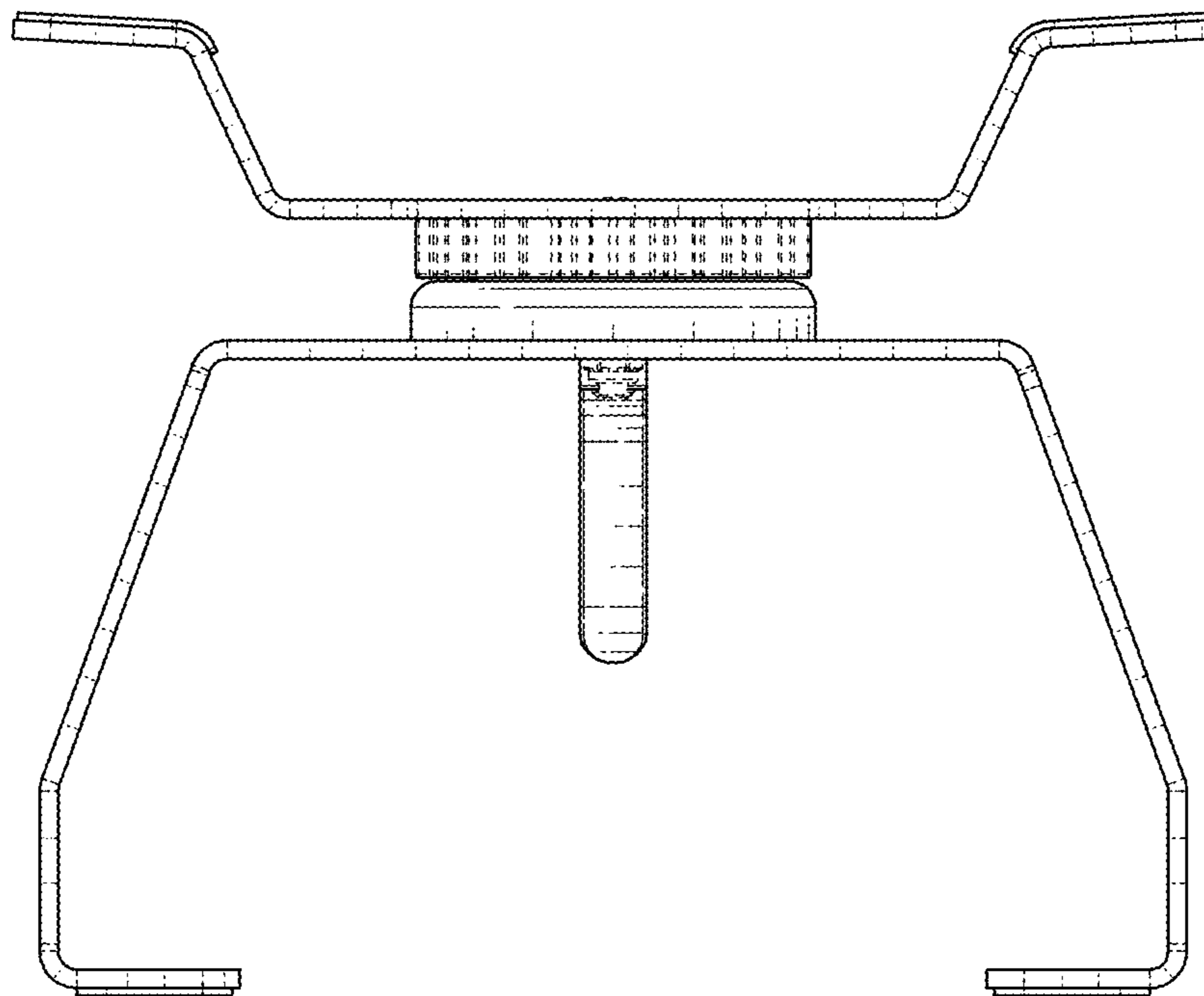


FIG. 3

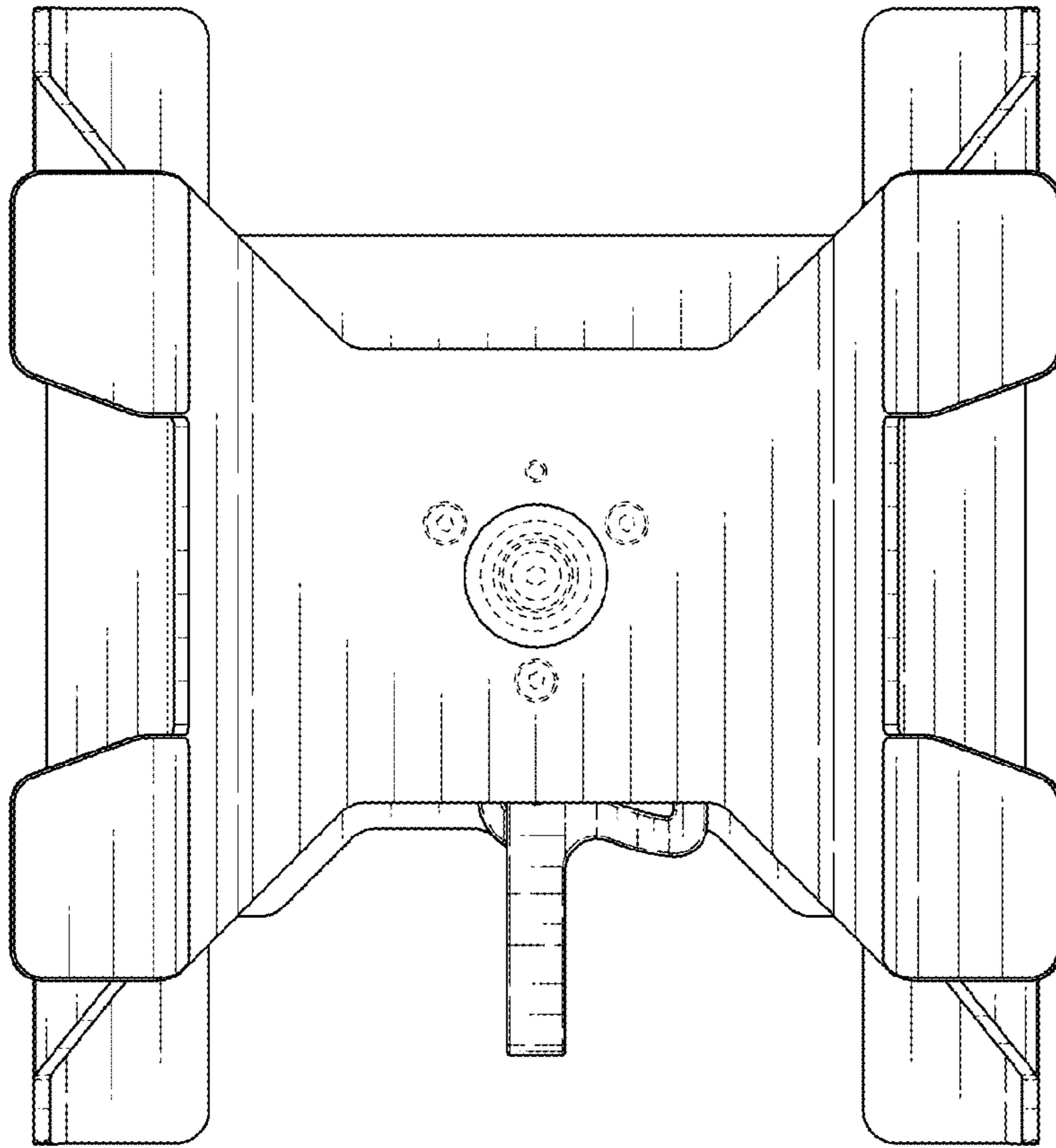


FIG. 4

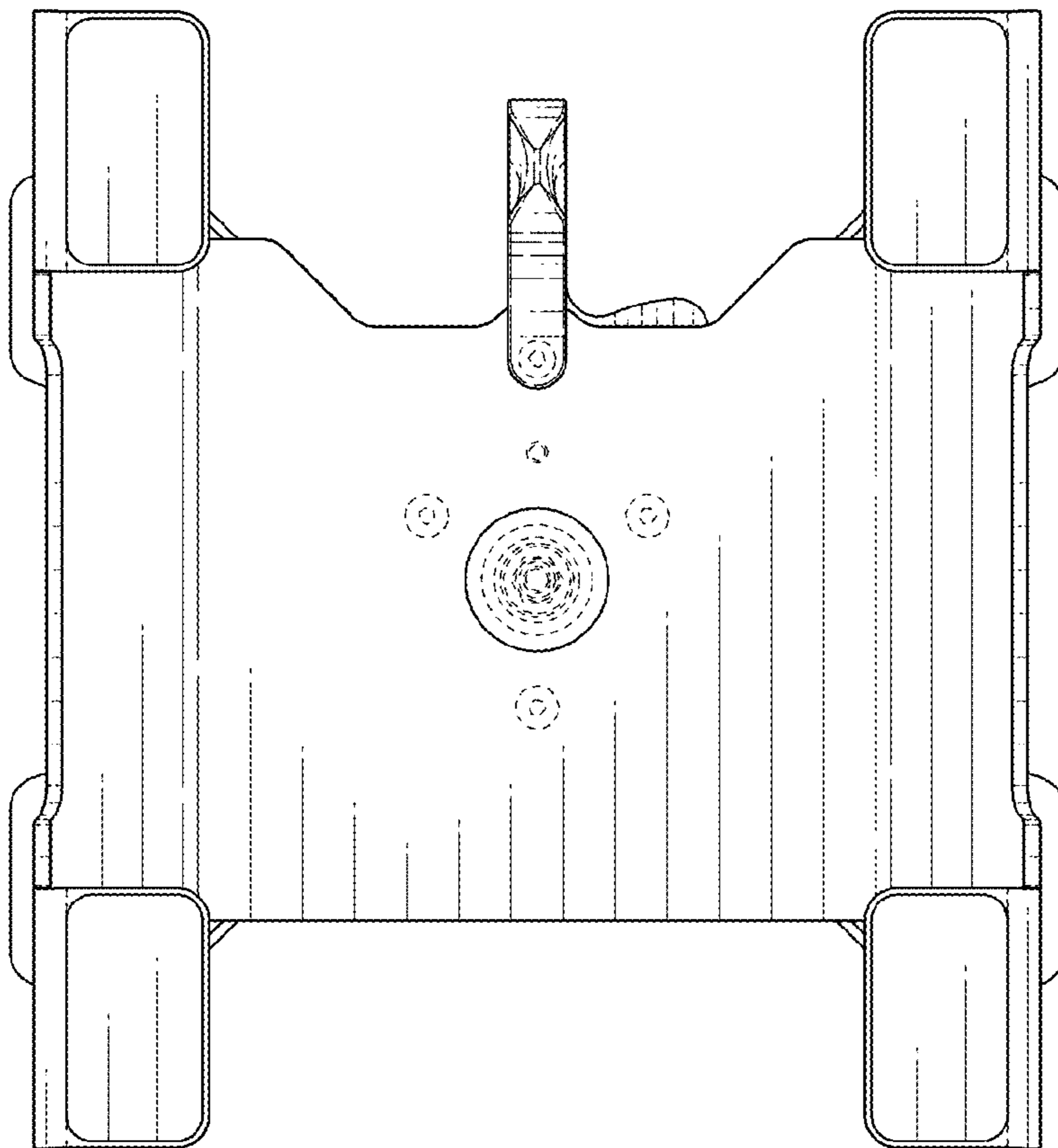


FIG. 5

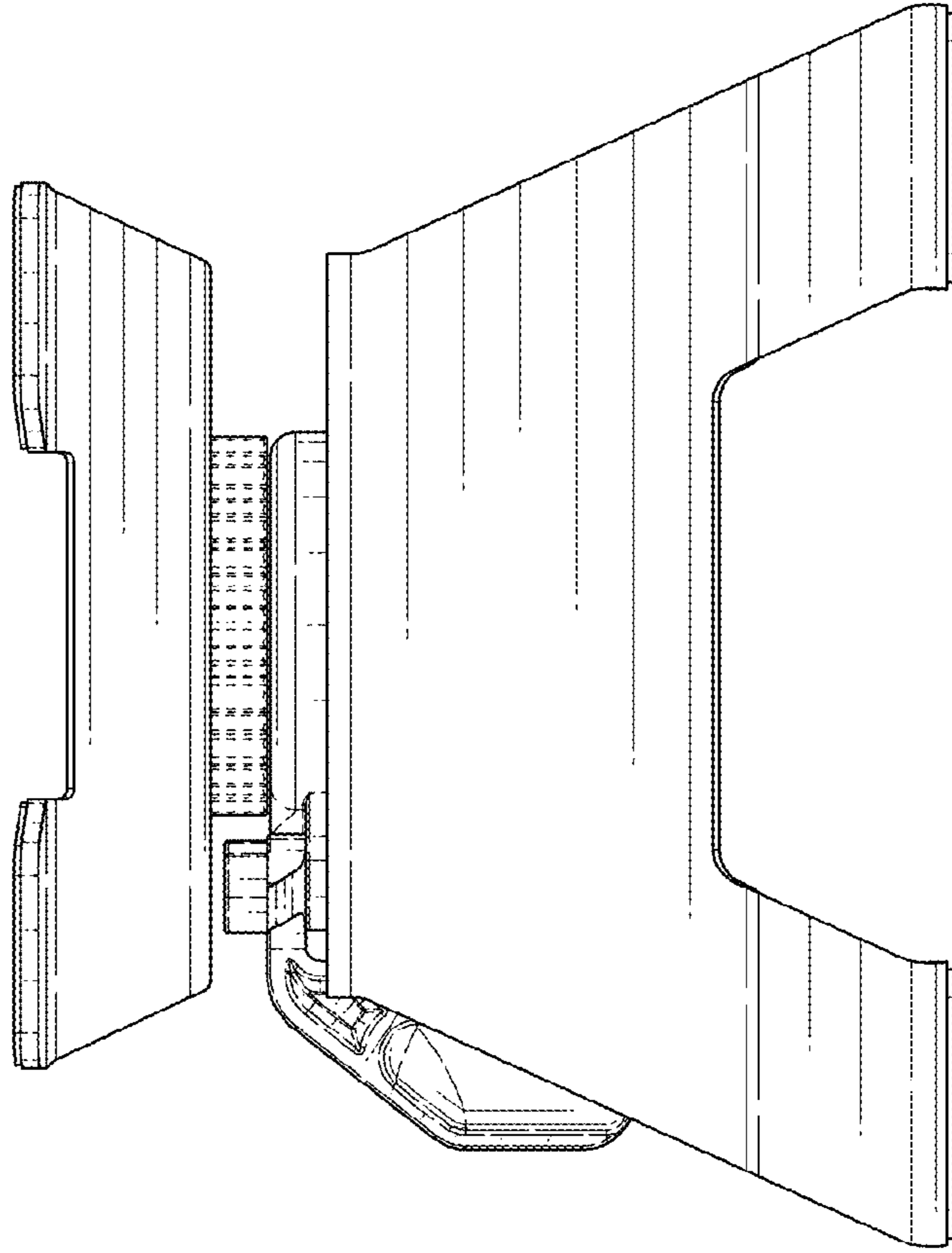


FIG. 7

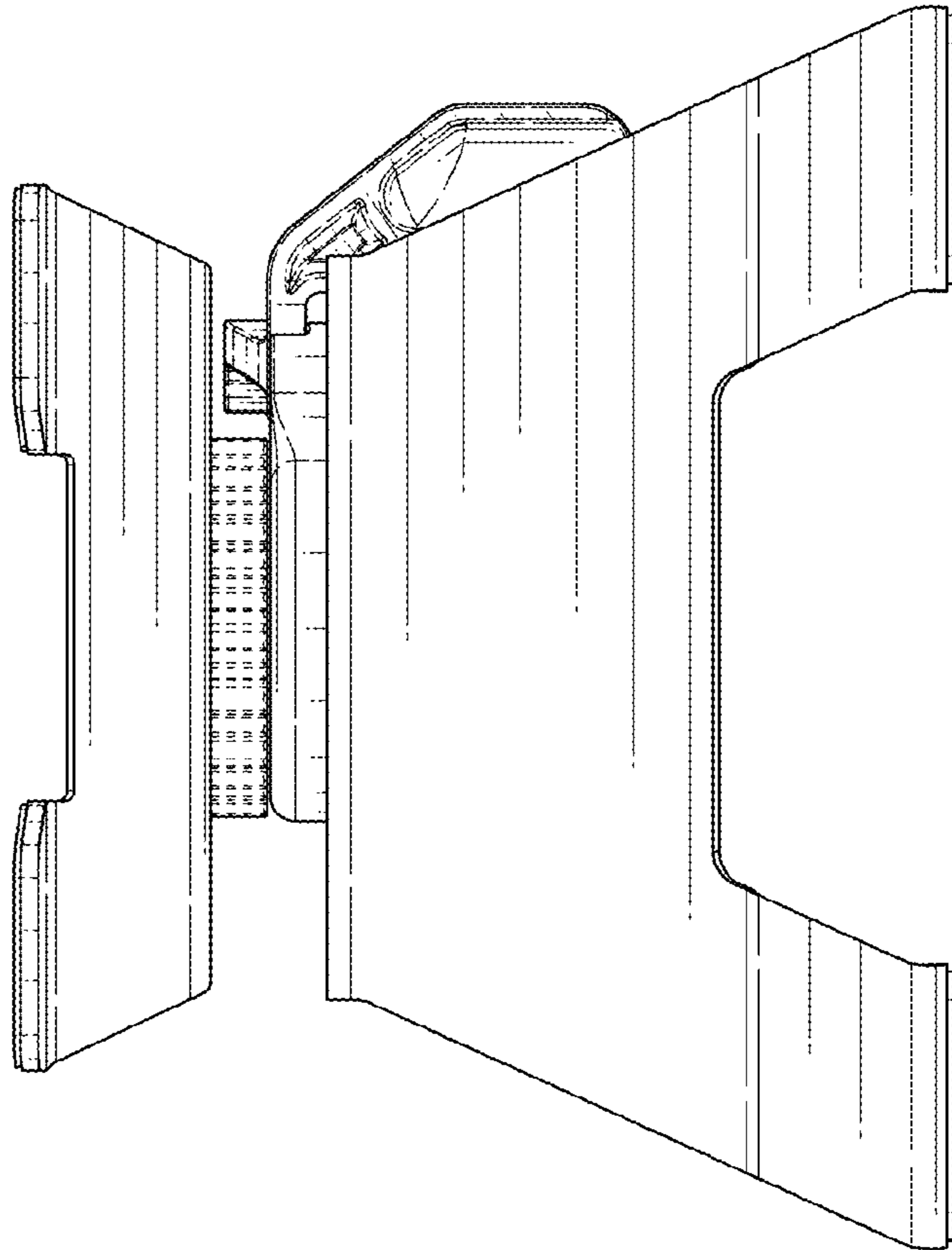


FIG. 6

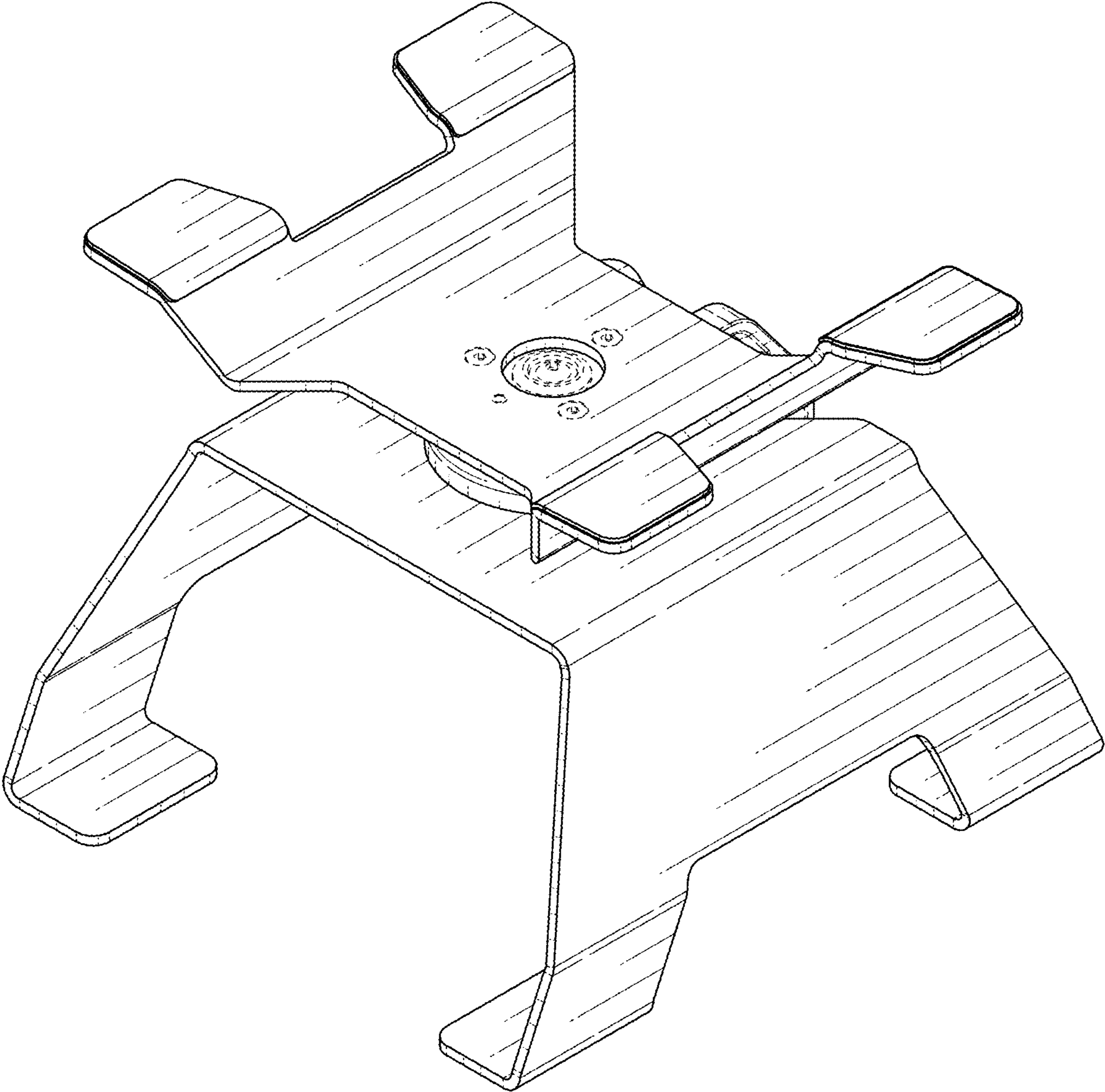


FIG. 8

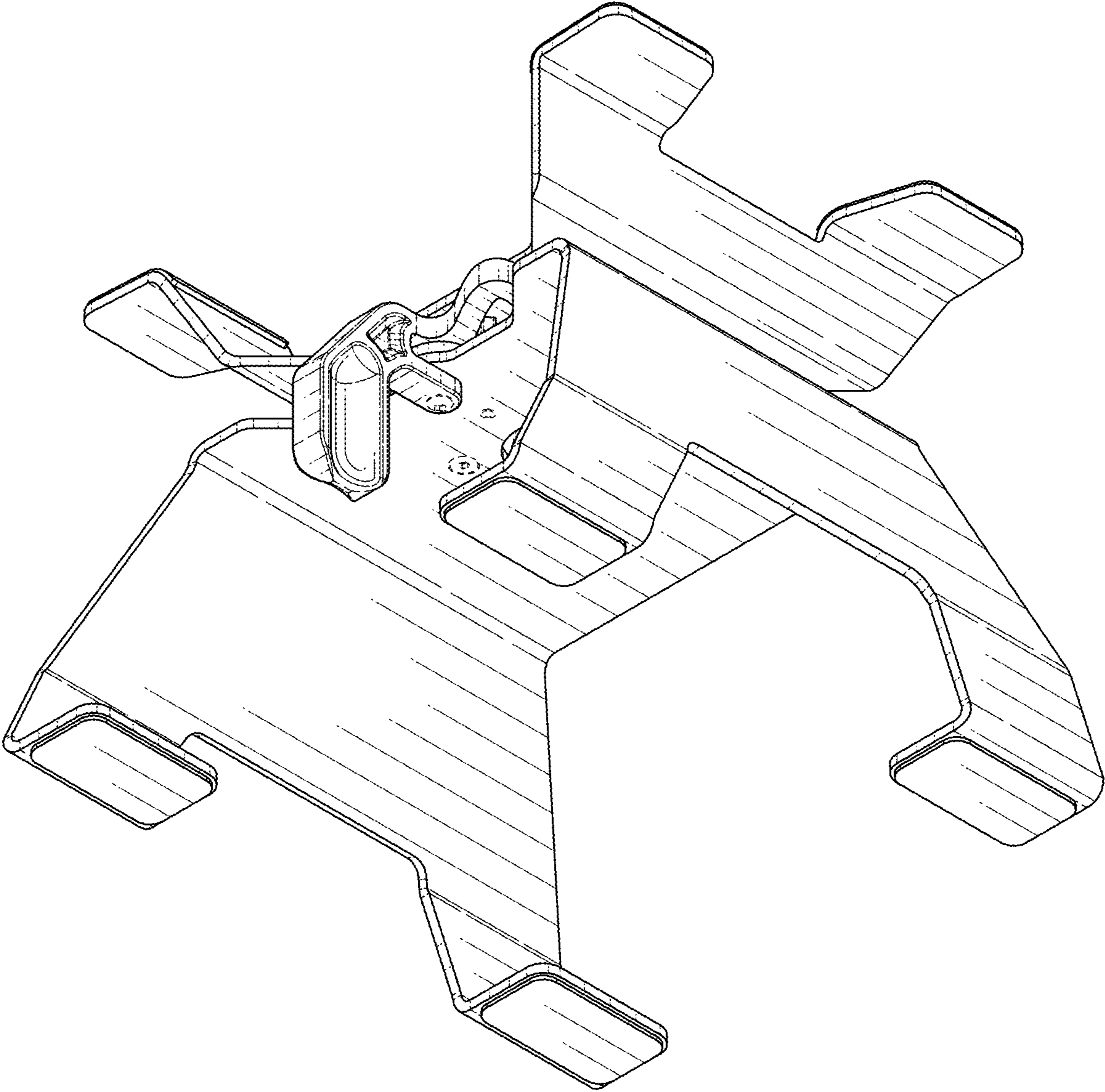


FIG. 9