



US0D1035403S

(12) **United States Design Patent** (10) **Patent No.:** **US D1,035,403 S**  
**Crabbe et al.** (45) **Date of Patent:** **\*\* Jul. 16, 2024**

(54) **RAKE**

4,831,815 A 5/1989 Bonnes  
5,099,638 A 3/1992 Bass  
5,249,413 A 10/1993 McDonough, Jr.  
(Continued)

(71) Applicant: **Husqvarna AB**, Huskvarna (SE)

(72) Inventors: **Wesley David Crabbe**, Dallas, TX (US); **Jonathan Taylor Merrill**, Victor, ID (US); **Eric Tres Wangsgaard**, Salt Lake, UT (US)

(73) Assignee: **HUSQVARNA AB** (SE)

(\*\*) Term: **15 Years**

(21) Appl. No.: **29/882,779**

(22) Filed: **Jan. 18, 2023**

(51) **LOC (14) Cl.** ..... **08-01**

(52) **U.S. Cl.**  
USPC ..... **D8/13**

(58) **Field of Classification Search**  
USPC ..... D8/1, 11, 12, 13  
CPC ... A01D 7/00; A01D 7/06; A01D 7/08; A01D 7/10; A01B 1/06; A01B 1/12; A01B 1/16  
See application file for complete search history.

(56) **References Cited**

**U.S. PATENT DOCUMENTS**

1,772,571 A	8/1930	Withington	
2,652,279 A	9/1953	Morris	
2,794,312 A	6/1957	Merrill	
2,883,820 A	4/1959	Bissell	
3,164,945 A *	1/1965	Spencer	A01D 7/10 294/50.8
3,332,223 A *	7/1967	Polisso	A01D 7/00 56/400.17
3,350,866 A *	11/1967	Spencer	A01D 7/00 294/51
D230,558 S *	3/1974	Laible	D8/13
3,999,244 A *	12/1976	Brickley	A47L 13/00 15/142
D248,612 S *	7/1978	Oas	D8/13
D298,907 S *	12/1988	Bonnes	D8/13

**OTHER PUBLICATIONS**

Cavex 25 Tine Poly Modern Leaf Rake, by Emsco Group, online at amazon.com, URL/: [https://www.amazon.com/Emsco-Group-9024-25-Tine-Modern/dp/B071RYHZK1/ref=cm\\_cr\\_arp\\_d\\_product\\_top?ie=UTF8&th=1](https://www.amazon.com/Emsco-Group-9024-25-Tine-Modern/dp/B071RYHZK1/ref=cm_cr_arp_d_product_top?ie=UTF8&th=1). First available on May 8, 2018. Retrieved on Feb. 24, 2024 (Year: 2018).\*

(Continued)

*Primary Examiner* — Joshua Kading  
*Assistant Examiner* — Eugenia M Celentano  
(74) *Attorney, Agent, or Firm* — Austin Rapp

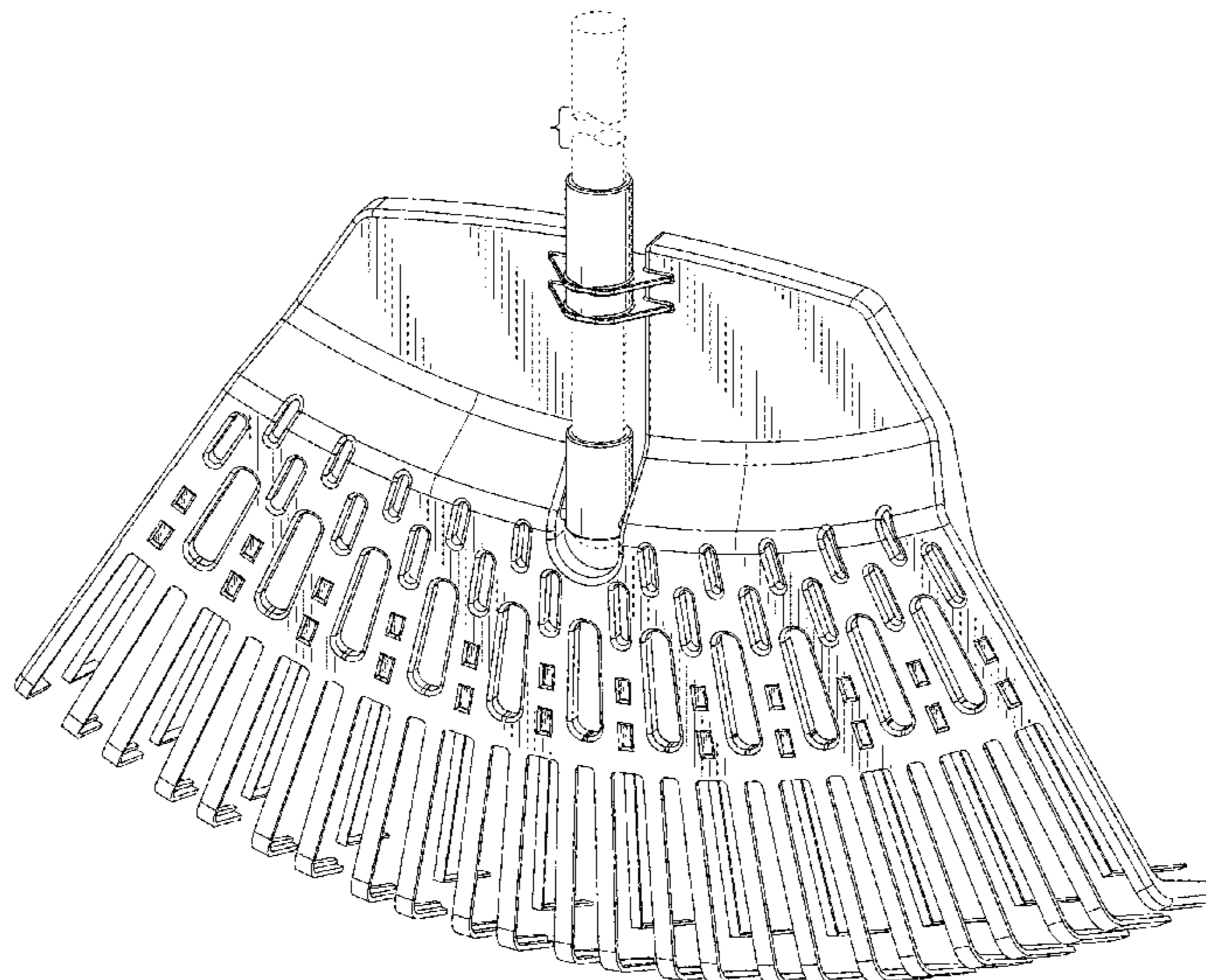
(57) **CLAIM**

The ornamental design for a rake, as shown and described.

**DESCRIPTION**

FIG. 1 is a first front perspective view of a rake according to our new design;  
FIG. 2 is a second front perspective view of the rake;  
FIG. 3 is a first rear perspective view of the rake;  
FIG. 4 is a second rear perspective view of the rake;  
FIG. 5 is a front side elevational view of the rake;  
FIG. 6 is a rear side elevational view of the rake;  
FIG. 7 is a top view of the rake;  
FIG. 8 is a bottom view of the rake;  
FIG. 9 is a right side elevational view of the rake; and,  
FIG. 10 is a left side elevational view of the rake.  
The broken lines in the figures are included for the purpose of depicting unclaimed portions of the rake and form no part of the claimed design. The unclaimed handle is shown with a symbolic break in its length. The appearance of any portion of the article between the break lines forms no part of the claimed design.

**1 Claim, 10 Drawing Sheets**



(56)

References Cited

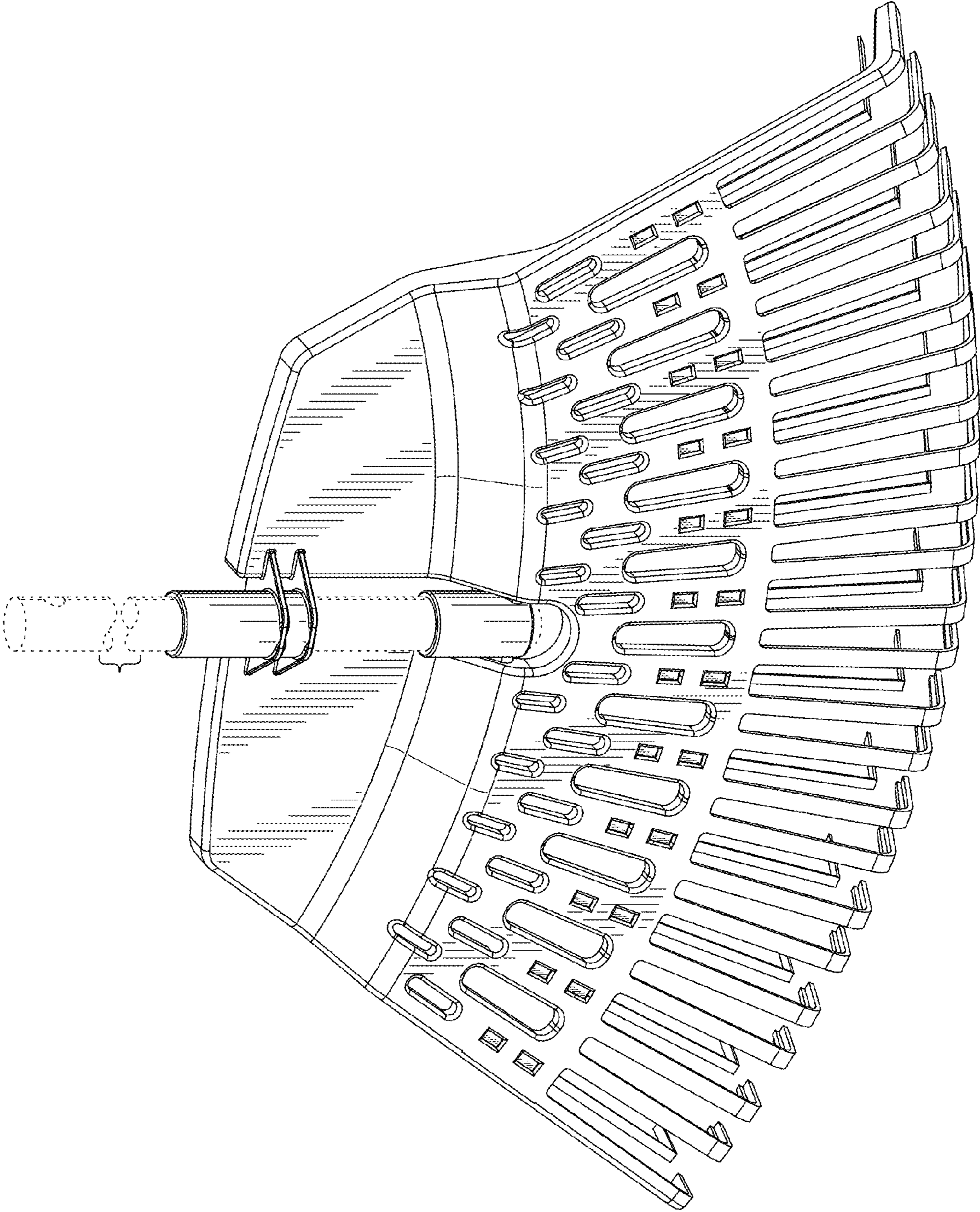
U.S. PATENT DOCUMENTS

D341,756	S *	11/1993	Bass	.....	D8/13
5,511,370	A	4/1996	Patel		
5,564,267	A *	10/1996	Bricker	.....	A01D 7/10 294/50.8
5,901,540	A *	5/1999	Vella	.....	A01D 7/10 56/400.21
D442,039	S *	5/2001	Yeh	.....	D8/13
6,381,938	B1 *	5/2002	Kelly	.....	A01D 7/02 56/400.16
6,901,733	B2	6/2005	DeSanti		
D642,440	S *	8/2011	Boda	.....	D8/13
D653,091	S *	1/2012	Hua	.....	D8/10
D678,738	S *	3/2013	Hua	.....	D8/13
D769,681	S *	10/2016	Stein	.....	D8/13
D769,683	S	10/2016	Stein et al.		
9,854,735	B2	1/2018	Stein		
D873,097	S *	1/2020	Parenteau	.....	D8/13
D943,371	S *	2/2022	Hua	.....	D8/13
D982,398	S	4/2023	Whitehead et al.		
2018/0020612	A1 *	1/2018	Alexander	.....	A01D 7/10 56/400.12

OTHER PUBLICATIONS

U.S. Appl. No. 63/439,838, filed Jan. 18, 2023, Merrill.  
PCT/US23/12209, Feb. 2, 2023, Merrill.  
The Ames Companies, Inc., Razor-Back 20-Inch Multi-Purpose Rake, online catalog [Internet Archive], apparently published on or before Sep. 28, 2020, retrieved from the Internet Apr. 18, 2023, URL: <<https://web.archive.org/web/20200928130126/https://www.razor-back.com/tool/rakes/2000rb-razor-back-20-inch-multi-purpose-rake/>> (shown in attachment 1).  
Home Depot, Suncast 26 in. Poly Double Tine Leaf Rake with Detachable Hand Rake, online catalog [online], apparently published on or before Mar. 17, 2021, retrieved from the Internet Feb. 22, 2023, URL: <<https://www.homedepot.com/p/Suncast-26-in-Poly-Double-Tine-Leaf-Rake-with-Detachable-Hand-Rake-LRDR2600C/315583698>> (shown in attachment 2).

\* cited by examiner



**FIG. 1**

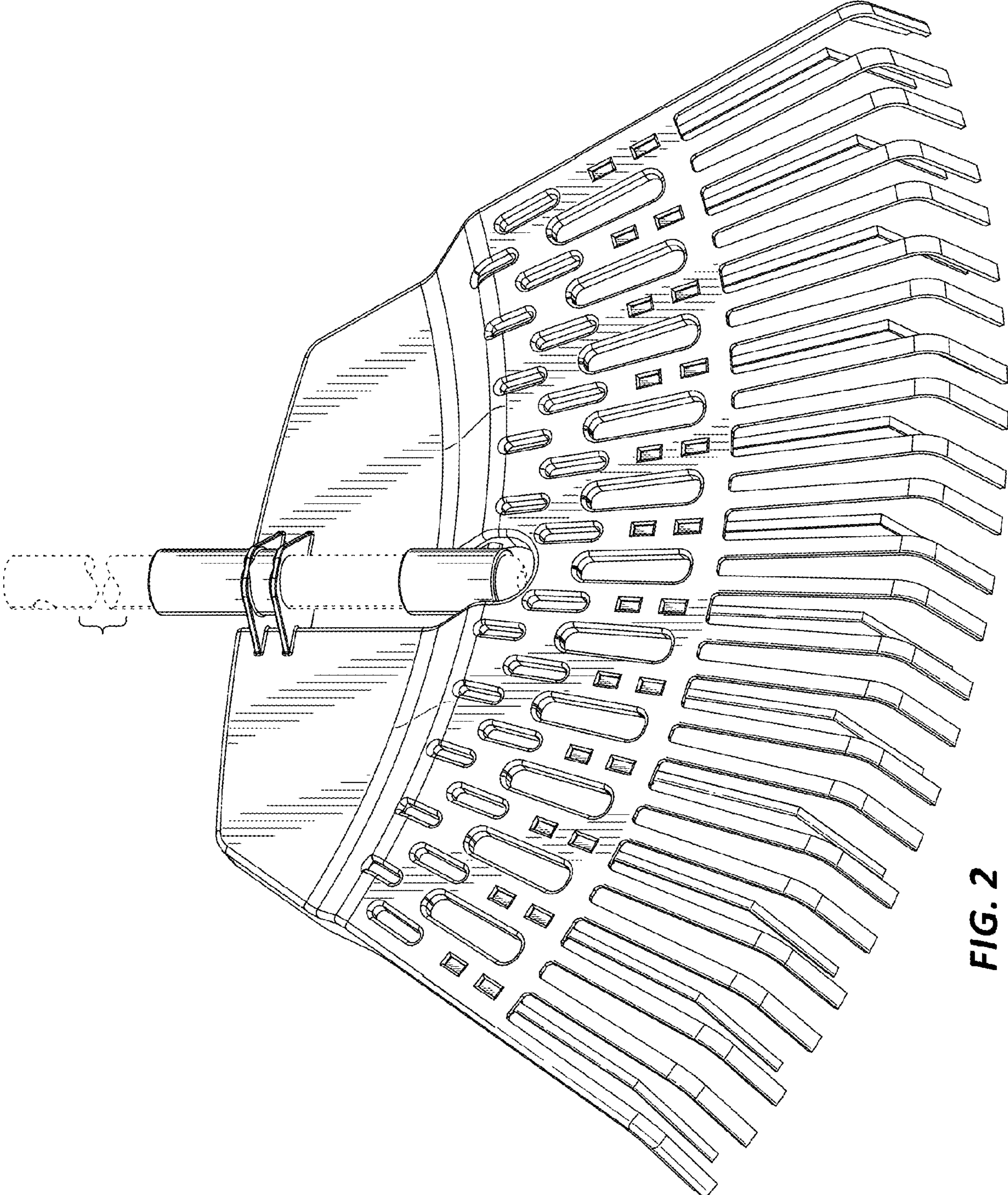


FIG. 2

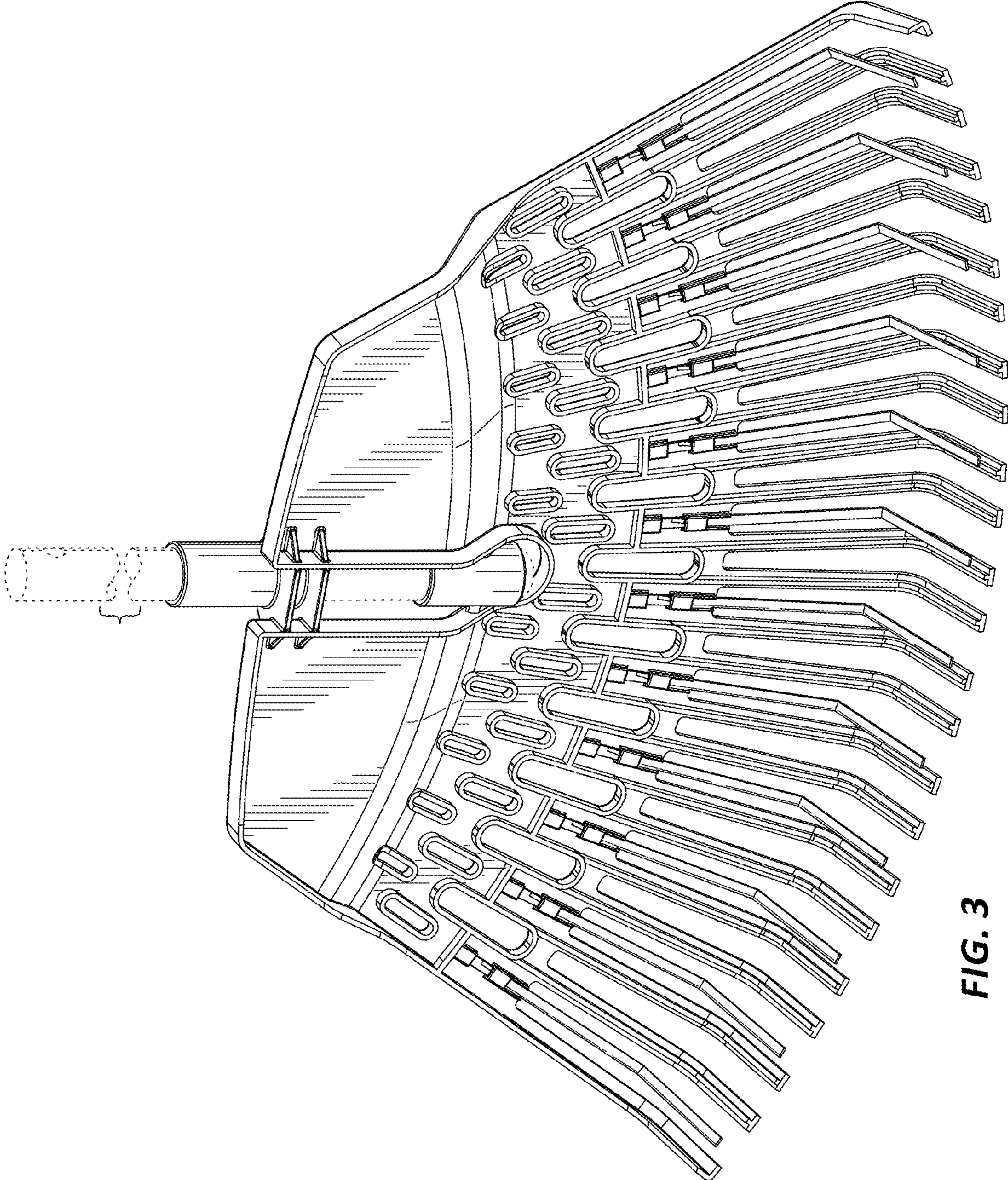
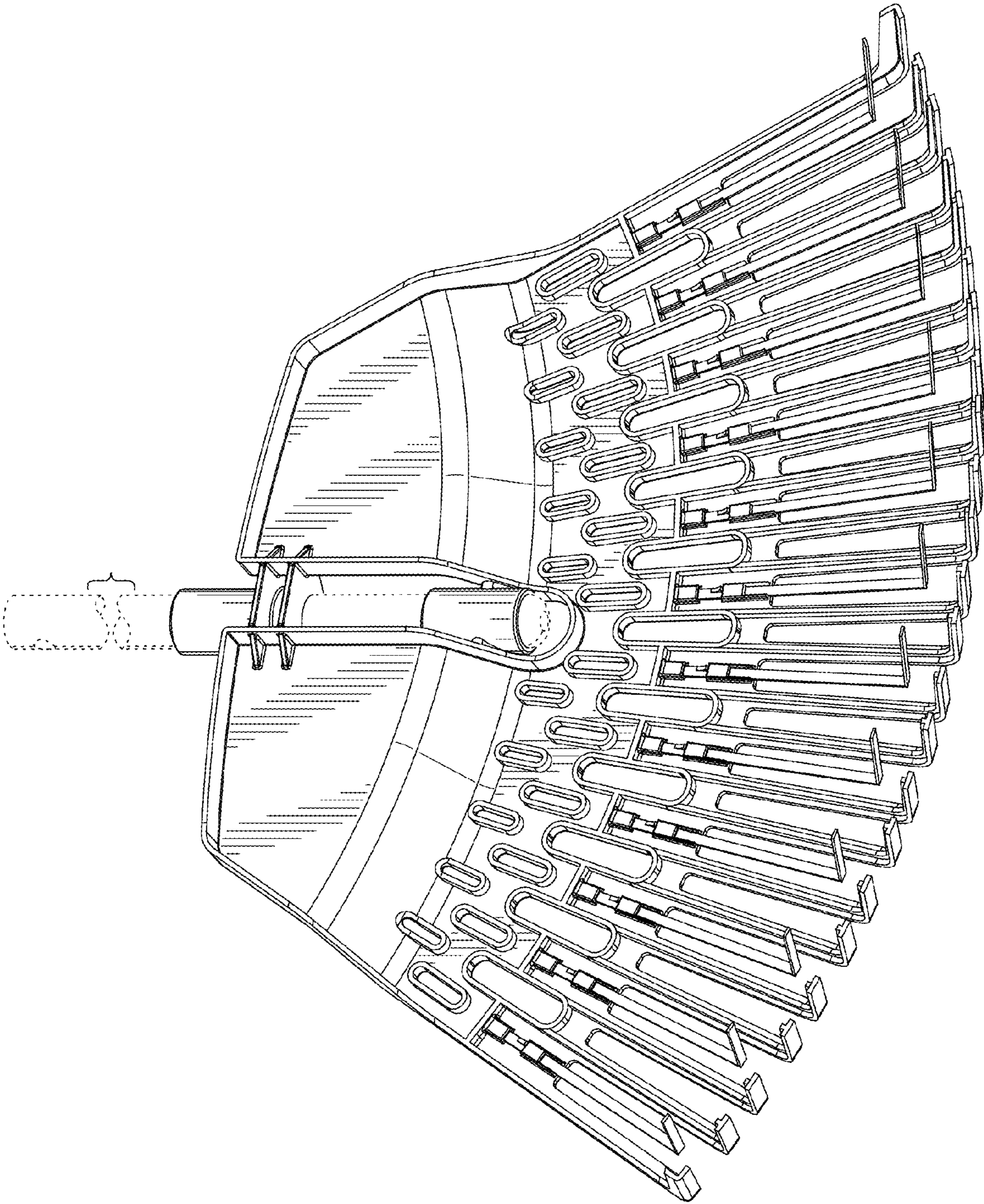


FIG. 3



**FIG. 4**

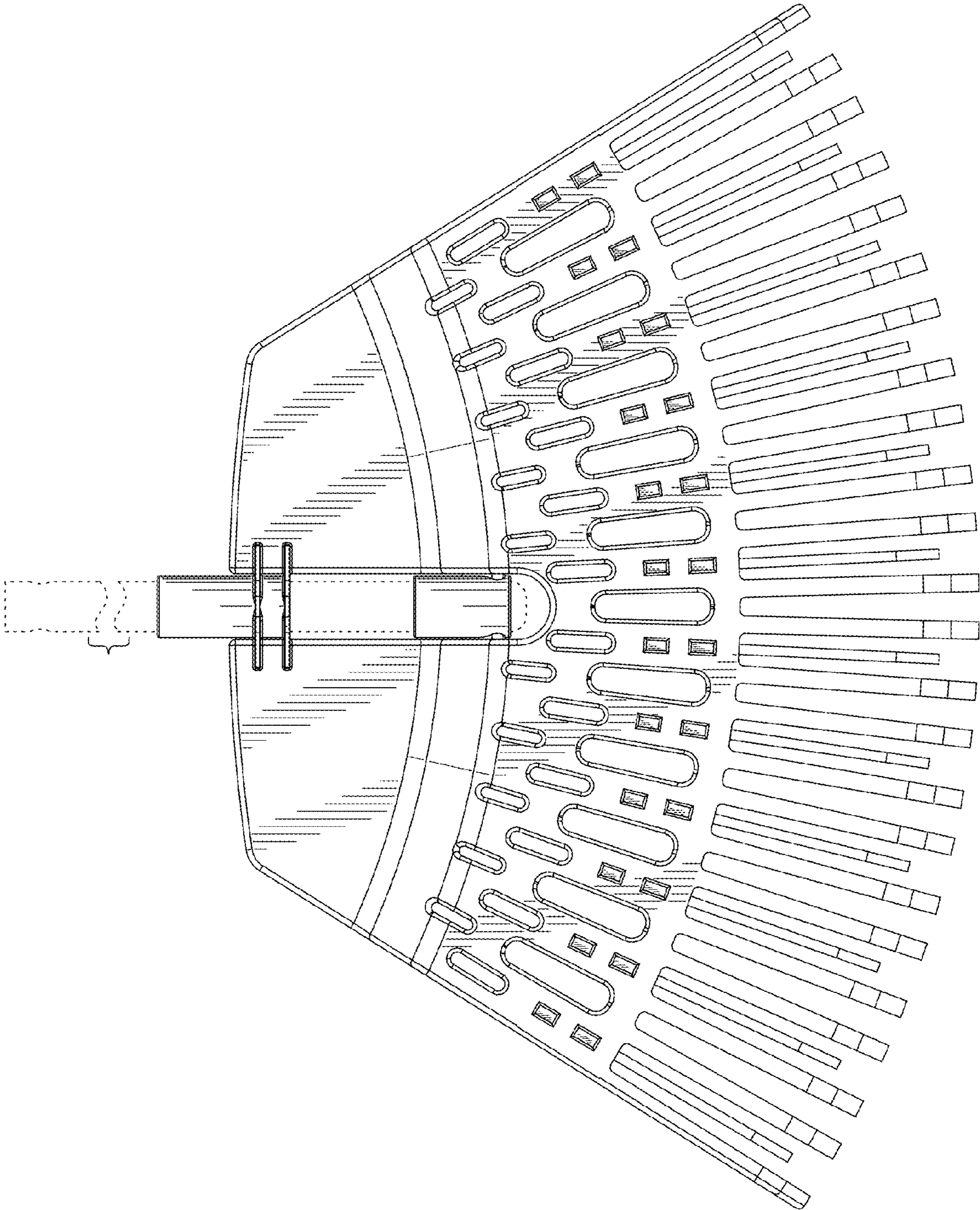


FIG. 5

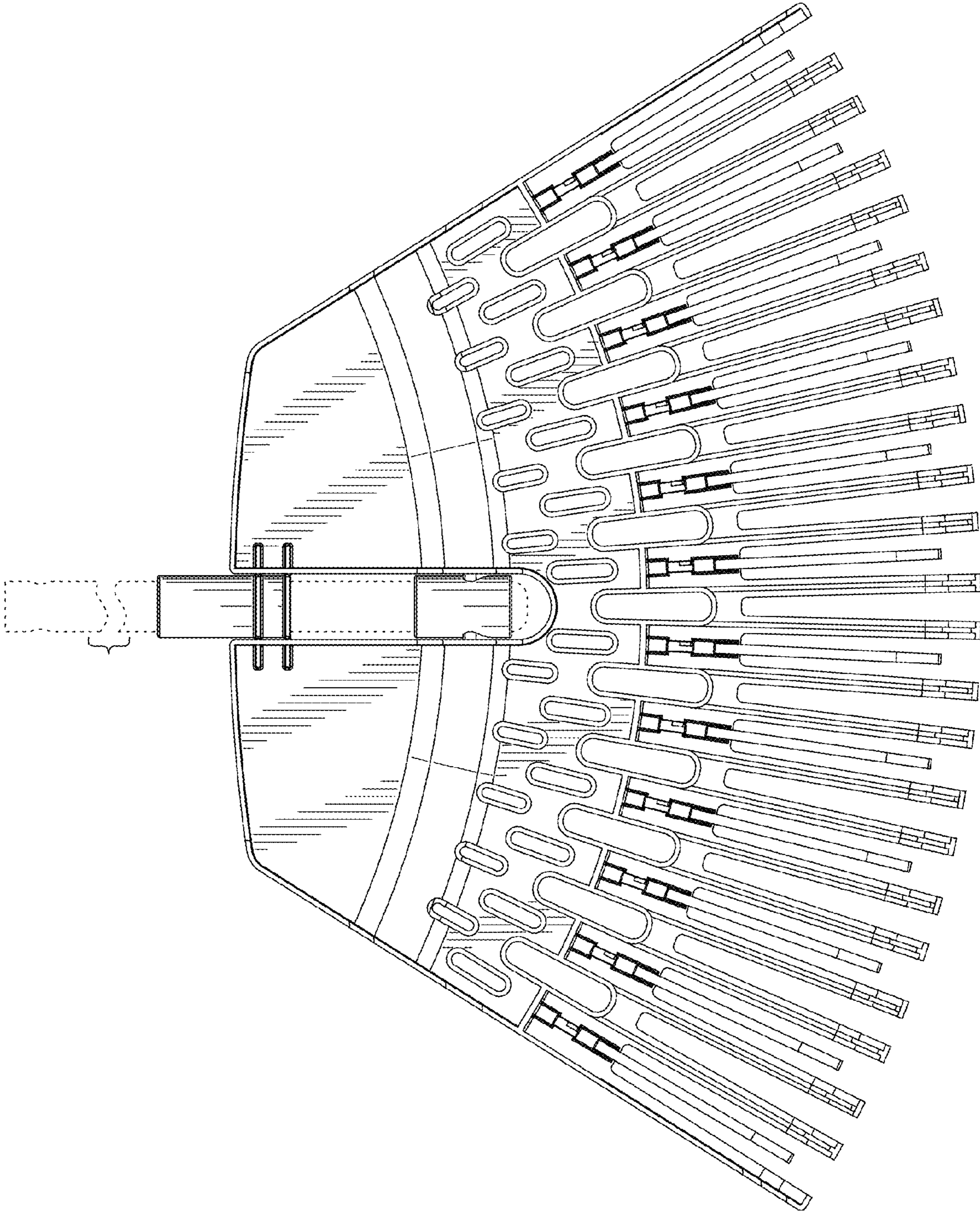


FIG. 6



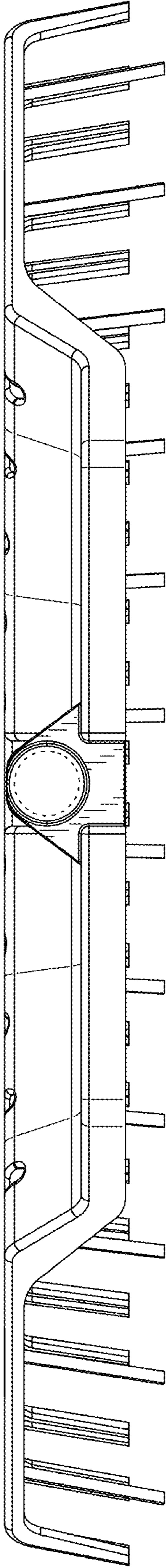
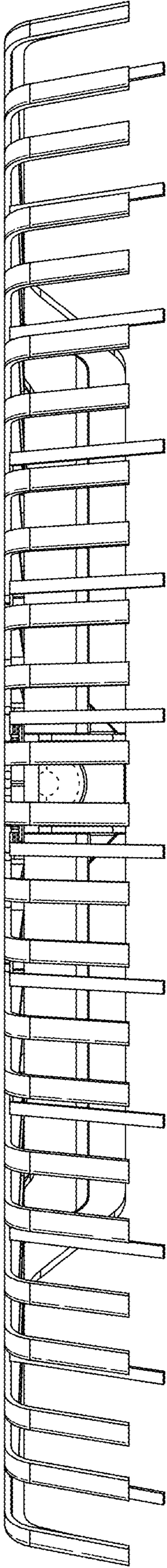
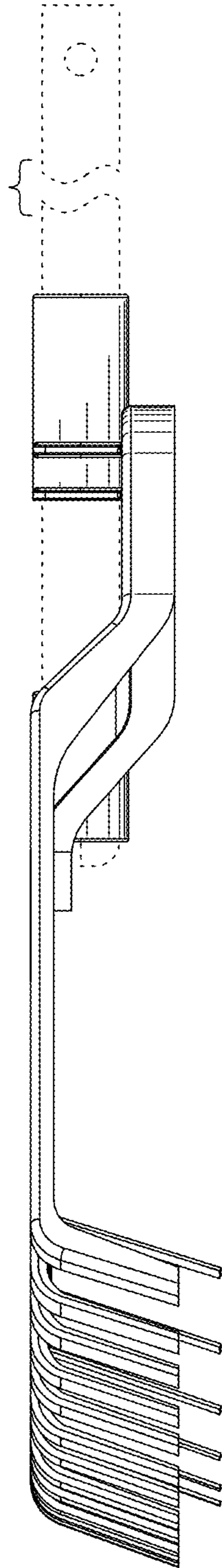


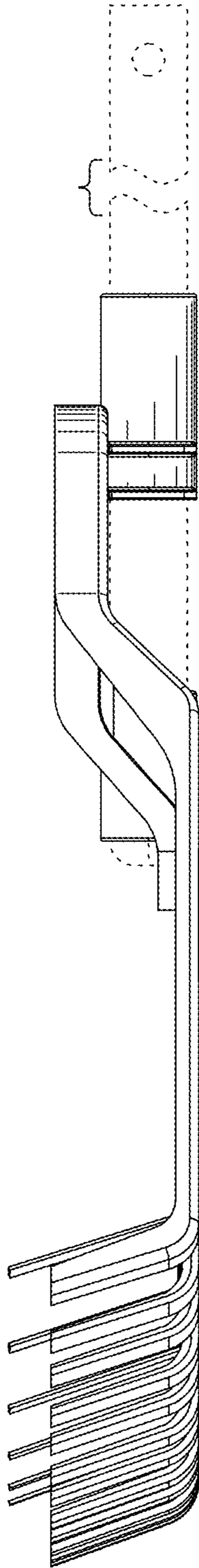
FIG. 7



**FIG. 8**



**FIG. 9**



**FIG. 10**