



US0D1035391S

(12) **United States Design Patent**  
**Bridge et al.**

(10) **Patent No.: US D1,035,391 S**

(45) **Date of Patent: \*\* Jul. 16, 2024**

(54) **DELIVERY BOX**

(71) Applicant: **Dometic Sweden AB**, Solna (SE)

(72) Inventors: **Philip Bridge**, Hägersten (SE); **Mikael Thelin**, Huddinge (SE); **Andreas Karlsson**, Solna (SE)

(73) Assignee: **Dometic Sweden AB**, Solna (SE)

(\*\*) Term: **15 Years**

(21) Appl. No.: **29/837,304**

(22) Filed: **May 4, 2022**

(30) **Foreign Application Priority Data**

Nov. 5, 2021 (EM) ..... 008749295-0001

Nov. 5, 2021 (EM) ..... 008749295-0002

Nov. 5, 2021 (EM) ..... 008749295-0003

Nov. 5, 2021 (EM) ..... 008749295-0004

Nov. 5, 2021 (EM) ..... 008749295-0005

Nov. 5, 2021 (EM) ..... 008749295-0006

640,933 A \* 1/1900 Osborne ..... A47J 47/14  
206/550

1,762,477 A 6/1930 Hughes

3,976,345 A 8/1976 Walters

D327,793 S 7/1992 McGrory

5,505,122 A 4/1996 Gerrit

D398,191 S \* 9/1998 Melk ..... D7/607

5,820,018 A 10/1998 Stacy

5,892,202 A \* 4/1999 Baldwin ..... H05B 3/00  
219/465.1

D431,358 S 10/2000 Willemsen

6,719,195 B2 4/2004 Farentinos

D512,804 S 12/2005 Wilson et al.

7,320,427 B2 1/2008 Prestwich

D575,474 S 8/2008 Williams

7,428,980 B2 9/2008 Irwin et al.

D599,550 S \* 9/2009 Turvey ..... D3/289

7,653,603 B1 1/2010 Holtkamp, Jr.

D619,854 S \* 7/2010 Koehler ..... D7/607

D622,959 S \* 9/2010 Zalewski ..... D3/273

D646,119 S \* 10/2011 Deuber ..... D7/400

D663,945 S \* 7/2012 Bouskill ..... D3/203.1

D664,009 S \* 7/2012 Scott ..... D7/607

8,573,473 B1 11/2013 Farentinos et al.

8,631,931 B2 \* 1/2014 Patenaude ..... A61C 19/02  
220/9.1

D702,915 S 4/2014 Steele

D712,704 S \* 9/2014 Gardner ..... D7/605

D715,515 S 10/2014 Steele

D721,890 S \* 2/2015 Heil ..... D3/272

D726,990 S 4/2015 Aziz et al.

9,004,346 B2 4/2015 Farentinos et al.

D740,515 S 10/2015 Aziz et al.

9,327,887 B2 5/2016 Farentinos

9,418,495 B2 8/2016 Mackin

D771,416 S 11/2016 Miller et al.

9,554,646 B1 1/2017 Charette et al.

D779,287 S \* 2/2017 Baker ..... D7/629

D779,936 S \* 2/2017 Thompson ..... D9/433

D786,627 S \* 5/2017 Thuma ..... D7/605

D816,421 S \* 5/2018 O'Hara ..... D7/602

10,039,401 B1 8/2018 Romanucci

D832,698 S \* 11/2018 Uglialoro ..... D9/432

10,131,478 B2 11/2018 Maser

D842,048 S \* 3/2019 Wells ..... D7/607

10,251,503 B1 4/2019 Fulps

10,264,906 B2 4/2019 Bloom

10,292,519 B1 5/2019 Sutton

10,362,889 B2 7/2019 Debner

10,638,848 B1 5/2020 Wesley

10,653,262 B1 5/2020 Isreal

D891,103 S \* 7/2020 Vicuna ..... D3/273

D891,196 S \* 7/2020 Downie ..... D7/605

(51) **LOC (14) Cl.** ..... **07-10**

(52) **U.S. Cl.**  
USPC ..... **D7/605; D7/607**

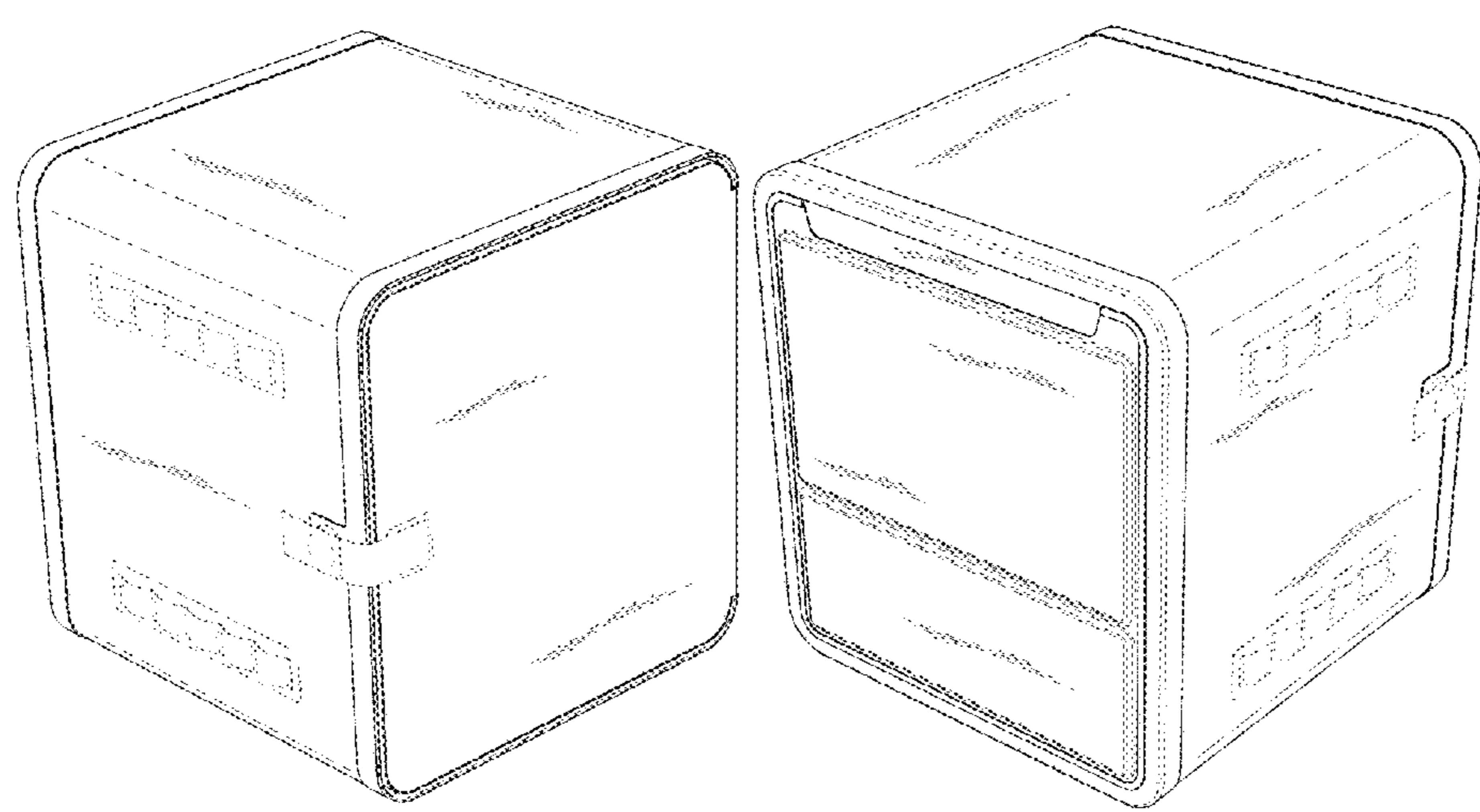
(58) **Field of Classification Search**  
USPC ..... D7/400, 601, 602, 605, 606, 607, 608,  
D7/629; D3/203.1, 272, 273, 289, 294;  
D9/432, 433; D21/468  
CPC ... F25D 2331/804; F25D 29/00; A45C 11/20;  
A45C 7/0077; A45C 13/008; B65D  
25/04; B65D 81/3816; A47J 41/00; A47J  
47/14; A47G 23/04; H05B 3/00; A61C  
19/02; G06K 7/10297  
See application file for complete search history.

(56) **References Cited**

U.S. PATENT DOCUMENTS

572,167 A \* 12/1896 Howell ..... A47J 47/14  
206/550

613,560 A 11/1898 Crisp



# US D1,035,391 S

D897,625 S	9/2020	Hall et al.	CN	202130271688.8	5/2021
10,769,875 B2	9/2020	Arellano	CN	202130271745.2	5/2021
10,772,450 B2	9/2020	Waisanen	CN	202130343187.6	6/2021
10,827,868 B1	11/2020	Wheaton	CN	202130343197.X	6/2021
10,835,046 B2	11/2020	Chasnis	CN	202130343198.4	6/2021
D912,924 S	3/2021	Hirvesaar	CN	202130343234.7	6/2021
D915,797 S	4/2021	Ding Yik Ming et al.	CN	202130343235.1	6/2021
D920,098 S	5/2021	Colas et al.	CN	306982519 S	12/2021
D929,473 S	8/2021	Yeo et al.	CN	306982520 S	12/2021
D931,346 S	9/2021	Yeo et al.	CN	307366414 S	5/2022
D933,753 S *	10/2021	Metz ..... D21/468	CN	307400399 S	6/2022
D934,564 S *	11/2021	Wu ..... D3/294	CN	307433950 S	7/2022
D935,280 S *	11/2021	Thelin ..... D7/605	CN	114911284 A	8/2022
11,361,603 B1 *	6/2022	Ismail ..... A47J 47/14	CN	114913644 A	8/2022
D957,168 S	7/2022	Li	CN	307658310 S	11/2022
D963,708 S	9/2022	Kim et al.	DE	202009010299	1/2011
D964,433 S	9/2022	Lin	DE	202016101841 U1	6/2016
D965,945 S	10/2022	Xie	DE	102017129157 A1	6/2019
11,659,948 B2	5/2023	Farentinos et al.	DE	102021212256.6	10/2021
2005/0104730 A1	5/2005	Yang	EM	004886000-0002	3/2018
2007/0193297 A1 *	8/2007	Wilson ..... F25D 29/00	EM	008313001-0001-0006	12/2020
		62/457.2	EM	008749295-001	11/2021
2007/0237432 A1 *	10/2007	Mogil ..... A45C 7/0077	EM	008749295-002	11/2021
		383/38	EM	008749295-003	11/2021
2007/0261977 A1 *	11/2007	Sakai ..... A45C 13/008	EM	008749295-004	11/2021
		206/315.11	EM	008749295-005	11/2021
			EM	008749295-006	11/2021
2008/0067227 A1	3/2008	Poss et al.	EP	939187 B1	3/2003
2013/0119850 A1	5/2013	Breyburg	EP	1580145 A1	9/2005
2017/0367272 A1 *	12/2017	Ugliarolo ..... G06K 7/10297	EP	2186715 B1	2/2011
2018/0290814 A1	10/2018	Smith et al.	EP	2279967	2/2011
2019/0167025 A1	6/2019	Cherry	EP	008271597-0001-0018	11/2020
2019/0239673 A1	8/2019	Silva	EP	20216153.5	12/2020
2019/0263219 A1	8/2019	Spath	EP	4014823	6/2022
2019/0266819 A1	8/2019	McHale	EP	21843962.8	7/2023
2019/0313826 A1	10/2019	Bickford	EP	21844773.8	7/2023
2019/0362579 A1	11/2019	Phillips	FR	3082410 A1	12/2019
2019/0368806 A1	12/2019	Floquet	FR	3082411 A1	12/2019
2019/0387910 A1	12/2019	Stoich	GB	2353068 A	2/2001
2020/0077826 A1	3/2020	Chenier	GB	9004886000-0001	3/2018
2020/0128991 A1	4/2020	Jessie	GB	9004886000-0002	3/2018
2020/0138225 A1	5/2020	Martin	GB	2588164 A	4/2021
2020/0229645 A1	7/2020	Karsten et al.	GB	6136221	5/2021
2020/0237946 A1	7/2020	Shell	GB	6136222	5/2021
2020/0281386 A1	9/2020	Knox	GB	6136223	5/2021
2020/0281387 A1	9/2020	Poss	GB	6136224	5/2021
2020/0323376 A1	10/2020	Waisanen	GB	6136225	5/2021
2020/0359819 A1	11/2020	Roberts	GB	6136226	5/2021
2021/0154824 A1	5/2021	Barton	GB	6136227	5/2021
2022/0114847 A1	4/2022	Emde	GB	6136228	5/2021
2022/0114853 A1	4/2022	Emde	GB	6136229	5/2021
2022/0228406 A1	7/2022	Barros	GB	6136230	5/2021
2022/0408973 A1	12/2022	Pierre	GB	6139972	5/2021
			GB	6139973	5/2021
			GB	6139974	5/2021
			GB	6139975	5/2021
			GB	6139976	5/2021
			GB	6139977	5/2021
			GB	6204725	4/2022
			GB	6204730 *	4/2022
AU	202112382	7/2021	IN	373731-001-0001 *	1/2023
AU	202112383	7/2021	KR	300972306.0000 *	9/2018
AU	202112384	7/2021	KR	301171436.0000 *	7/2022
AU	202112385	7/2021	NO	20201096 A	4/2021
AU	202112386	7/2021	WO	97/12186 A1	4/1997
AU	202112387	7/2021	WO	00/32480 A2	6/2000
AU	202113320	8/2021	WO	2004/021828 A1	3/2004
AU	202113321	8/2021	WO	2014005198 A1	1/2014
AU	202113322	8/2021	WO	2015/016725 A1	2/2015
AU	202113323	8/2021	WO	2015/075205 A2	5/2015
AU	202113324	8/2021	WO	2020257902 A1	12/2020
AU	202113325	8/2021	WO	PCT/EP2021/087069	12/2021
AU	202212578	5/2022	WO	PCT/EP2021/087152	12/2021
AU	202212579	5/2022	WO	PCT/EP2021/087798	12/2021
AU	202212580	5/2022	WO	2022081206	4/2022
AU	202212581	5/2022	WO	2022081207	4/2022
AU	202212582	5/2022	WO	2022136420 A1	6/2022
AU	202212583	5/2022			
CN	204630214 U	9/2015			
CN	202110178659.6	2/2021			
CN	202110224812.4	2/2021			

## FOREIGN PATENT DOCUMENTS



WO	2022171345	A1	8/2022
WO	2022171355	A1	8/2022
WO	2023073010	A1	5/2023

## OTHER PUBLICATIONS

[Olydon Insulated Heated Delivery Bag], available in Amazon.ca, date first available Jun. 2, 2022 [online], [site visited Aug. 16, 2023], available from the internet URL: <https://www.amazon.ca/OLYDON-Insulated-Heated-Delivery-Handle/dp/B08NB2MQHN> (Year: 2022).\*

[Dometic DeliBag], available in Dometic.com, date first available Jun. 2, 2023 [online], [site visited Aug. 16, 2023], available from the internet URL: <https://www.dometic.com/en-us/professional/mobile-delivery-solutions/food-delivery/dometic-delibag-12-331--323325> (Year: 2023).\*

GB Patent application 6204726 filed on Apr. 26, 2022.

GB Patent application 6204727 filed on Apr. 26, 2022.

GB Patent application 6204728 filed on Apr. 26, 2022.

GB Patent application 6204729 filed on Apr. 26, 2022.

GB Patent application 6204730 filed on Apr. 26, 2022.

Notification of Grant Issued in China Application No. 202130343234.7 mailed on Mar. 22, 2022.

International Search Report and Written Opinion received in PCT Application No. PCT/EP2021/087152, mailed on Apr. 12, 2022.

Notification of Grant Issued in China Application No. 202130343197.X mailed on Apr. 6, 2022.

International Search Report and Written Opinion received in PCT Application No. PCT/EP2021/087069, mailed on May 6, 2022.

International Search Report and Written Opinion received in PCT Application No. PCT/EP2021/087798, mailed on May 9, 2022.

Office Action issued in German Patent Application No. 102021212256.6 mailed on Jun. 10, 2022.

Chinese Patent Application No. 202230253654.0 filed on Apr. 29, 2022.

Chinese Patent Application No. 202230252604.0 filed on Apr. 29, 2022.

Patent Certificate issued in China Application No. 202130343197.X mailed on Jul. 5, 2022.

Notification to Grant issued in China Application No. 202230253654.0 mailed on Aug. 18, 2022.

Patent Certificate issued in China Application No. 202230253654.0 mailed on Nov. 15, 2022.

Dometic DeliBox 90HC—Food Delivery Box, Available from internet URL: <https://www.dometic.com/en-se/professional/mobile-delivery-solutions/food-delivery/dometic-delibox90hc-316421>, retrieved on Dec. 20, 2022.

Restriction Requirement issued in Design U.S. Appl. No. 29/785,134 mailed on Jan. 9, 2023.

International Search Report and Written Opinion issued in PCT Application No. PCT/EP2022/079922 mailed on Feb. 22, 2023.

Non-Final Office Action issued in Design U.S. Appl. No. 29/785,134 mailed on Apr. 7, 2023.

The Deliverysafe; Lockable insulated delivery box, large; published date: Oct. 20, 2020 [retrieved on Aug. 18, 2022 from Internet Wayback Machine].

Yale; Smart Delivery Box; published date: Oct. 4, 2020 [retrieved on Aug. 18, 2022 from Internet Wayback Machine].

Eufy Security; Kickstarter—Secure Deliveries Made Easy with SmartDrop; published date: Mar. 24, 2022 [retrieved on Aug. 18, 2022 from Internet Wayback Machine].

Benchsentry; Anti-Theft Bench that works with your smart home; published Aug. 5, 2020 [retrieved on Aug. 18, 2022 from Internet Wayback Machine].

Dynosafe; Own The Porch; published date: Feb. 11, 2021 [retrieved on Aug. 18, 2022 from Internet Wayback Machine].

Homevalet; Don't wait for deliveries, let them wait for you. published date: Dec. 17, 2021 [retrieved on Aug. 18, 2022 from Internet Wayback Machine].

The Deliverysafe; Noninsulated delivery box, medium; published date: Jun. 20, 2021 [retrieved on Aug. 18, 2022 from Internet Wayback Machine].

Design U.S. Appl. No. 29/783,065, filed May 11, 2021 titled Delivery Box.

Design U.S. Appl. No. 29/785,134, filed May 24, 2021 titled Delivery Box.

Design U.S. Appl. No. 29/781,824, filed Apr. 30, 2021 titled Cooler Accessory Grid.

U.S. Appl. No. 17/875,693, filed Jul. 28, 2022 titled Containment System Including a Soft Container.

U.S. Appl. No. 17/874,701, filed Jul. 27, 2022 titled Locking Module for a Container.

PCT Application No. PCTUS2022038492 filed Jul. 27, 2022 titled Locking Module for a Container.

Design U.S. Appl. No. 29/787,872, filed Jun. 9, 2021 titled Picnic Basket Cooler.

Design U.S. Appl. No. 29/799,562, filed Jul. 15, 2021 titled Storage Container.

PCT Application No. PCT/US2022/026932 filed Apr. 29, 2022 titled Accessory Grid Apparatus for a Cooler.

U.S. Appl. No. 18/258,095, filed Jun. 16, 2023 titled Courier Delivery Box.

International Preliminary Report on Patentability received in PCT Application No. PCT/EP2021/087069, mailed on Jun. 29, 2023.

Extended European Search Report Issued in EP Application No. 20216153.5 mailed on May 18, 2021.

Notification of Registration for European Union Application No. 008313001-0001-0006 mailed on Dec. 10, 2020.

Office Action Issued in China Application No. 202130343197.X mailed on Dec. 1, 2021.

Office Action Issued in China Application No. 202130343234.7 mailed on Dec. 1, 2021.

Notification of Registration for European Application No. 008271597-0001-0018 mailed on Nov. 17, 2020.

Notification of Grant Issued in China Application No. 202130271745.2 mailed on Oct. 14, 2021.

Notification of Grant Issued in China Application No. 202130271688.8 mailed on Oct. 11, 2021.

Registration Certificate reissued in GB Patent application 6204725 mailed on Apr. 26, 2022.

Registration Certificate reissued in GB Patent application 6204726 mailed on Apr. 26, 2022.

Registration Certificate reissued in GB Patent application 6204727 mailed on Apr. 26, 2022.

Registration Certificate reissued in GB Patent application 6204728 mailed on Apr. 26, 2022.

Registration Certificate reissued in GB Patent application 6204729 mailed on Apr. 26, 2022.

Registration Certificate reissued in GB Patent application 6204730 mailed on Apr. 26, 2022.

Design U.S. Appl. No. 29/783,065, filed May 11, 2021.

PCT Application No. PCT/EP2021/087798 filed on Dec. 29, 2021.

Design U.S. Appl. No. 29/785,134, filed May 24, 2021.

International Preliminary Report on Patentability received in PCT Application No. PCT/EP2021/087152, mailed on Aug. 24, 2023.

International Preliminary Report on Patentability received in PCT Application No. PCT/EP2021/087798, mailed on Aug. 24, 2023.

Office Action issued in CN Application No. 202130343187.6 mailed on Sep. 6, 2023.

Office Action issued in CN Application No. 202130343235.1 mailed on Sep. 6, 2023.

Ex-Parte Quayle Office Action issued in Design U.S. Appl. No. 29/785,134 mailed on Sep. 28, 2023.

Office Action issued in CN Application No. 202130343198.4 mailed on Jul. 4, 2023.

Office Action issued in CN Application No. 202230252604.0 mailed on Jul. 5, 2023.

U.S. Appl. No. 18/264,681, filed Aug. 8, 2023 titled Delivery Box Cabinet.

U.S. Appl. No. 18/264,689, filed Aug. 8, 2023 titled Temperature Control Module and Delivery Box Cabinet.

Restriction Requirement issued in Design U.S. Appl. No. 29/783,065 mailed on Aug. 2, 2023.

Notice to Grant issued in CN Application No. 202230252604.0  
mailed on Jan. 17, 2024.

\* cited by examiner

*Primary Examiner* — Janice Patyk

*Assistant Examiner* — Ji Sun Yoon

(74) *Attorney, Agent, or Firm* — Dinsmore & Shohl LLP

(57) **CLAIM**

The ornamental design for a delivery box, as shown and described.

**DESCRIPTION**

FIG. 1 is a first perspective view of a delivery box, showing our new design;

FIG. 2 is a second perspective view thereof;

FIG. 3 is a third perspective view thereof;

FIG. 4 is a first side view thereof;

FIG. 5 is a second side view thereof;

FIG. 6 is a front view thereof;

FIG. 7 is a rear view thereof; and,

FIG. 8 is a top view thereof.

The broken lines in the figures illustrate the portions of the delivery box and form no part of the claimed design.

**1 Claim, 8 Drawing Sheets**

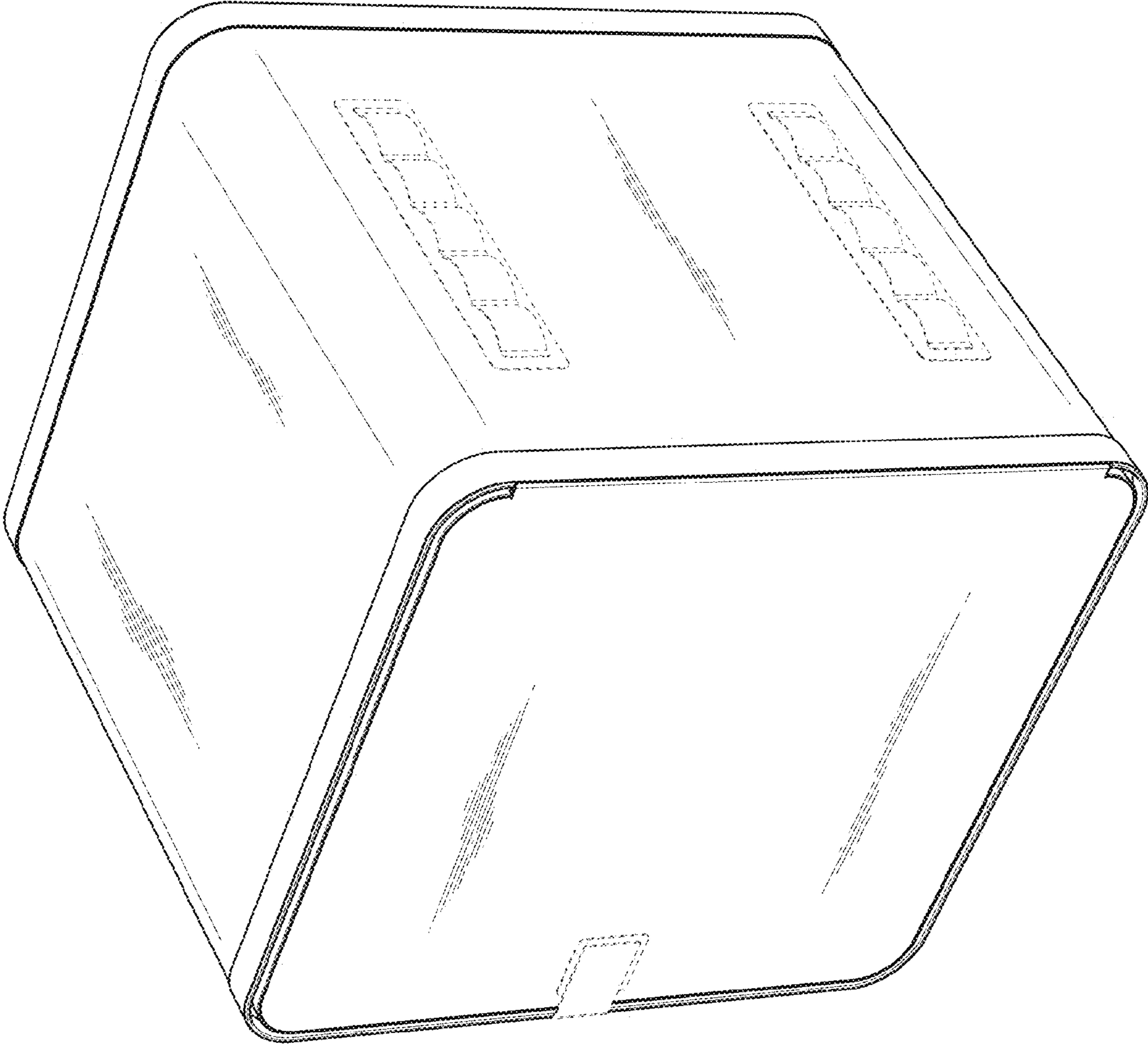


FIG. 1



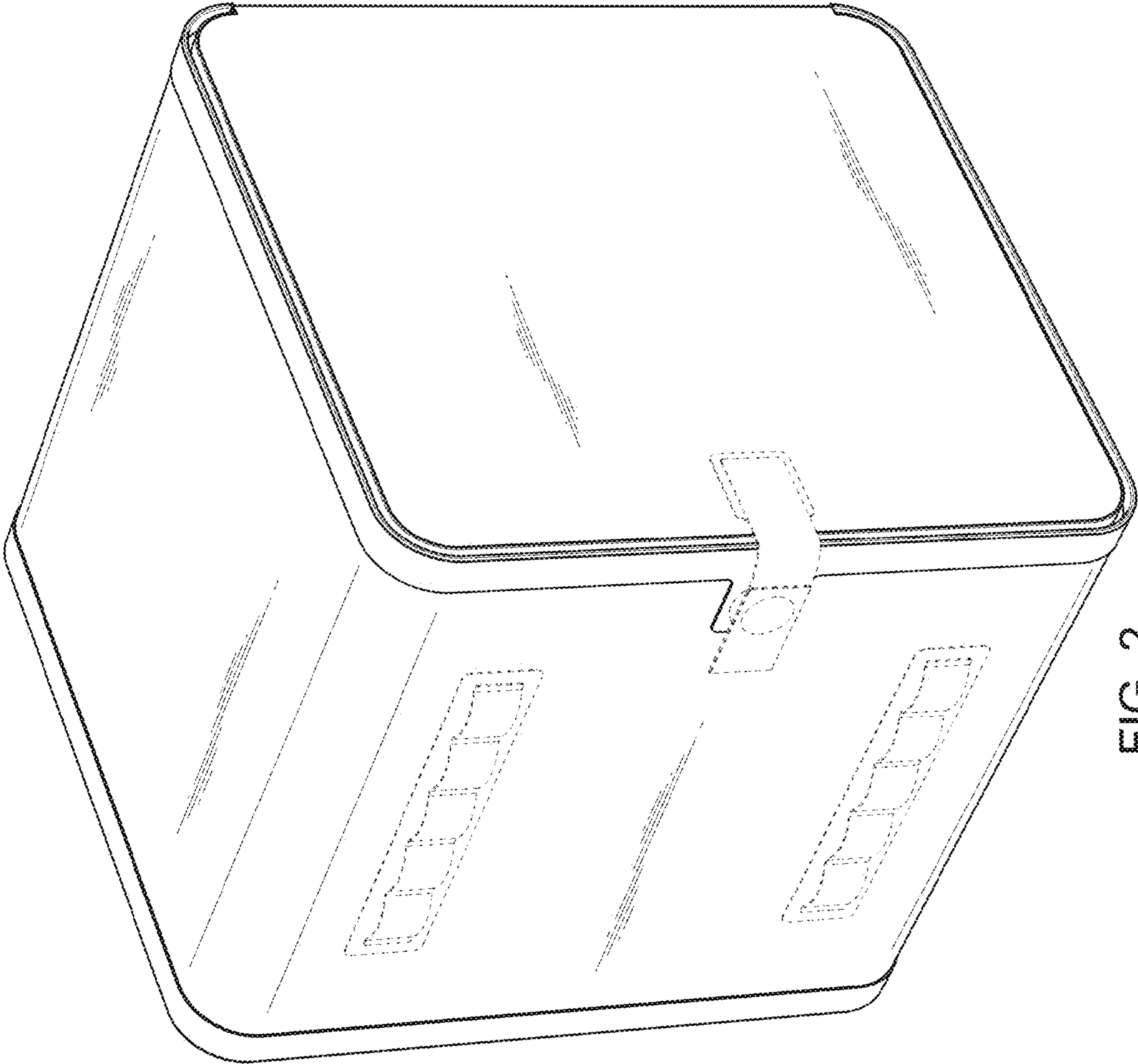


FIG. 2

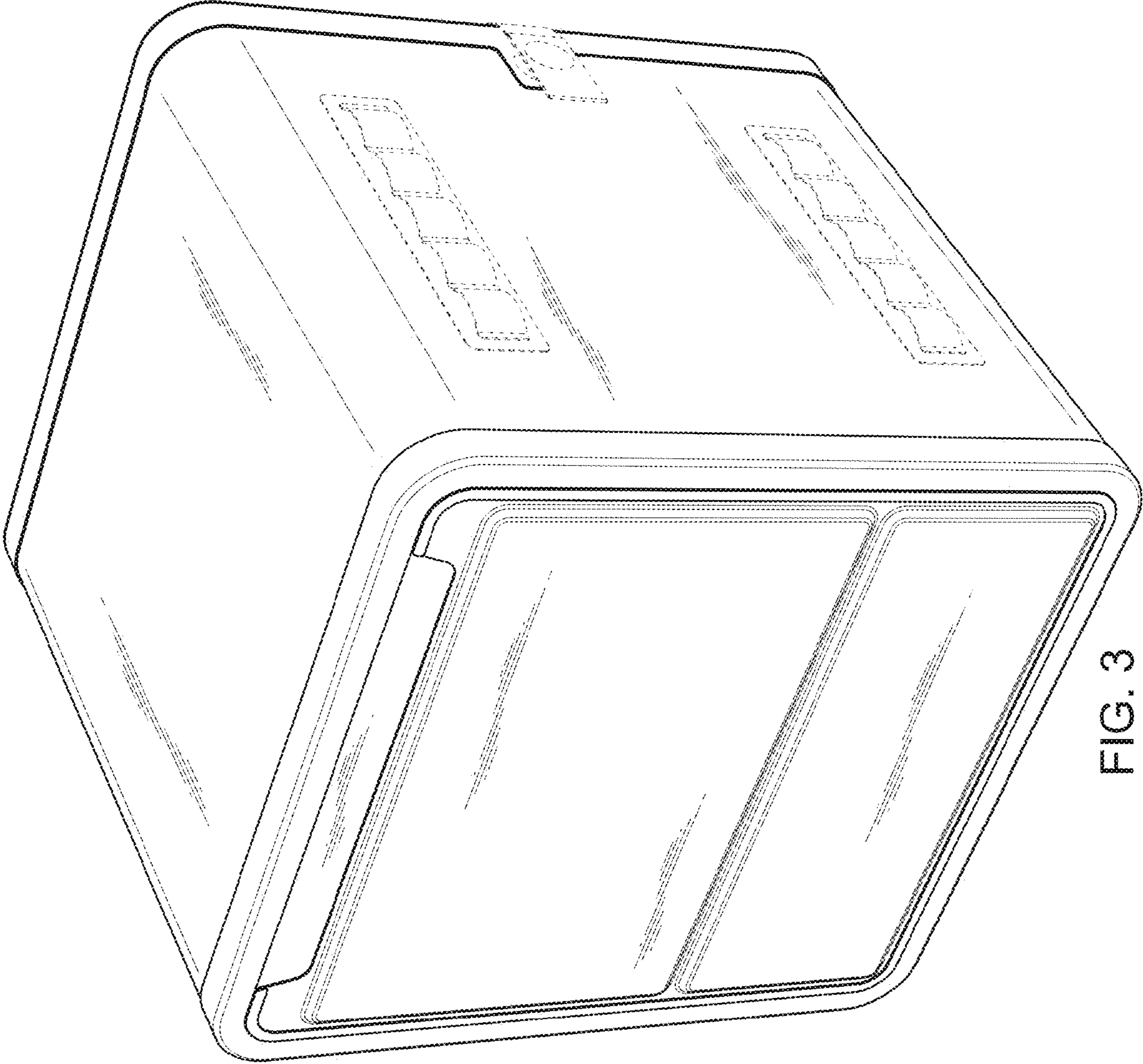


FIG. 3

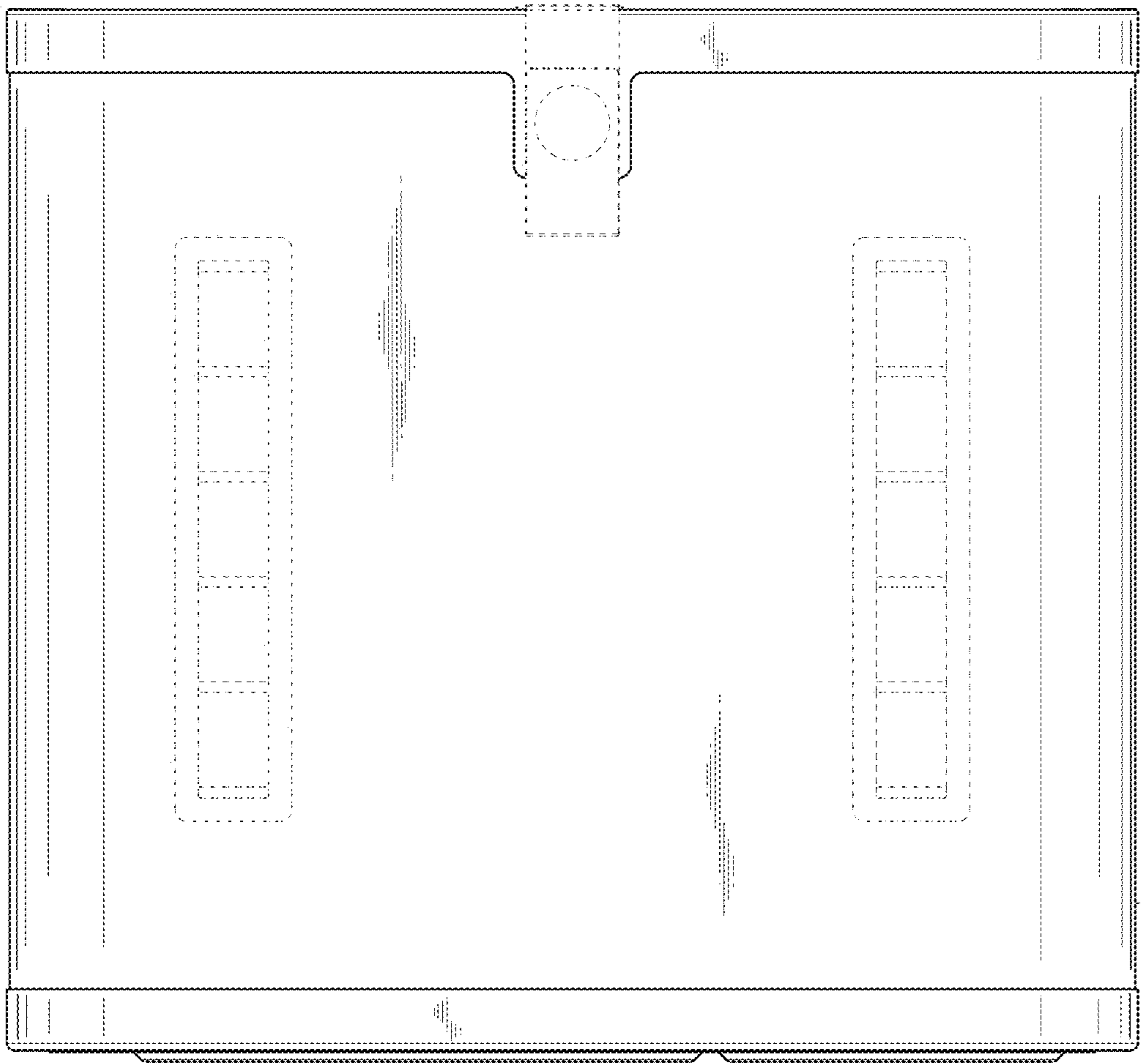


FIG. 4



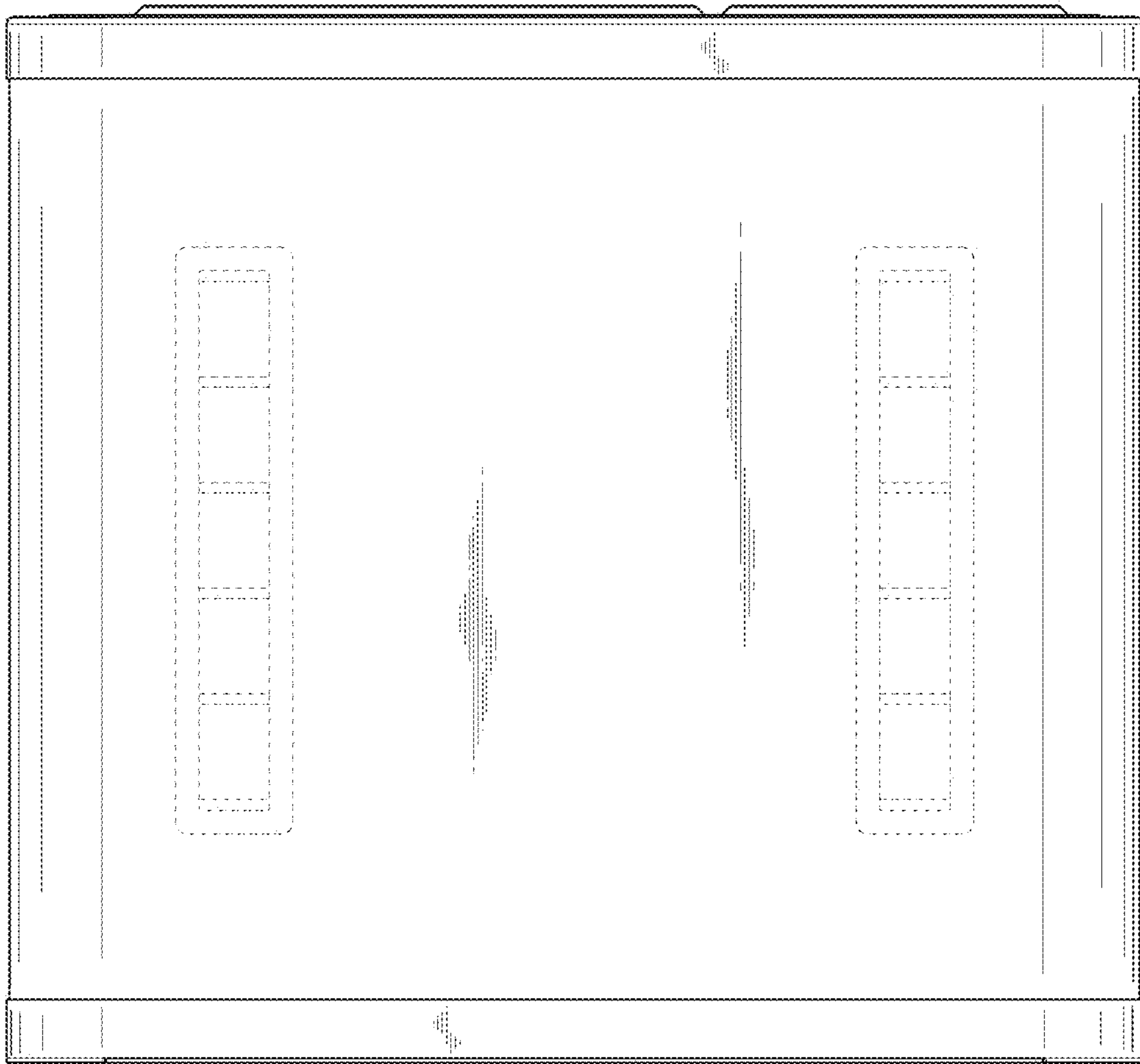


FIG. 5

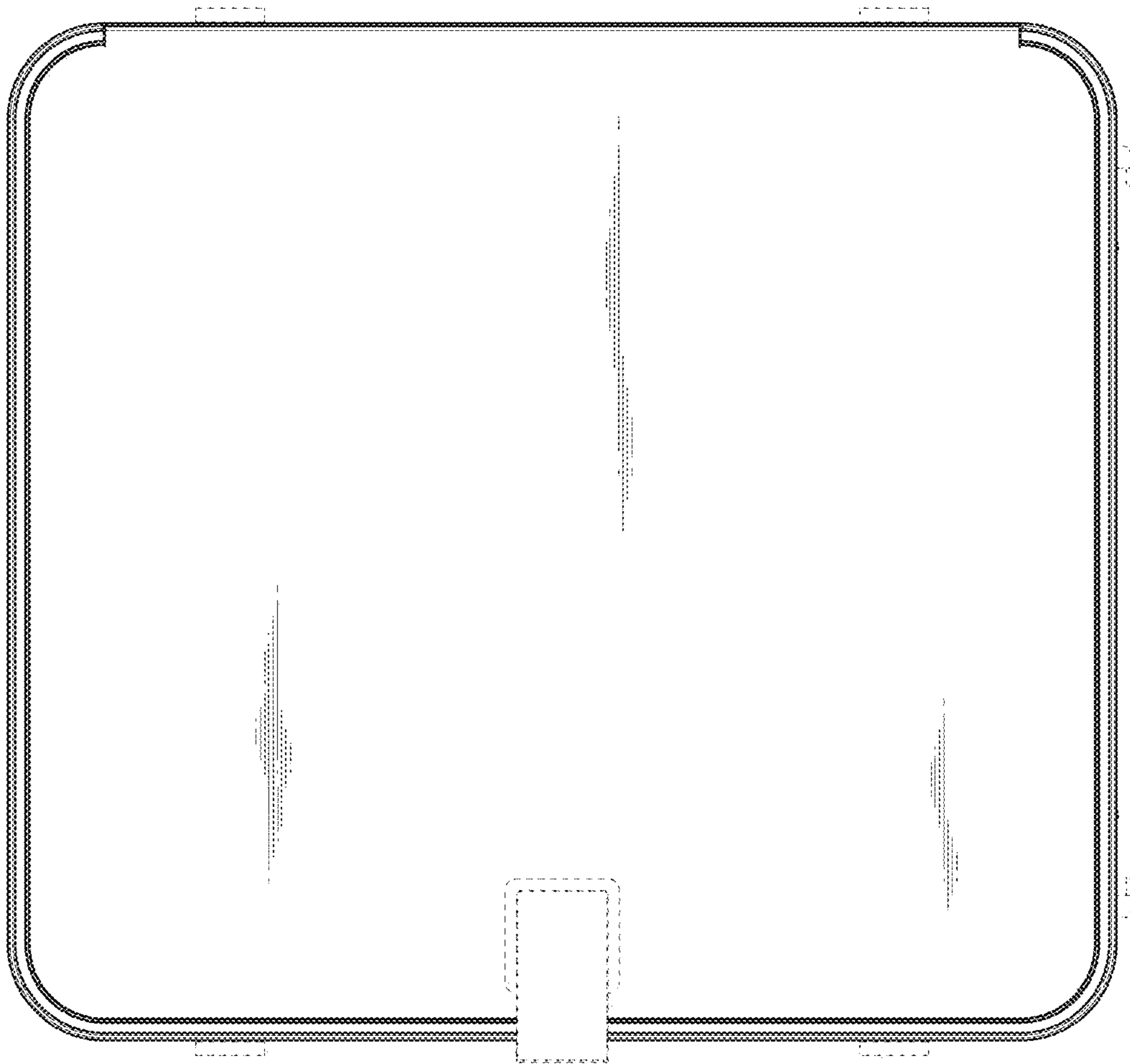


FIG. 6

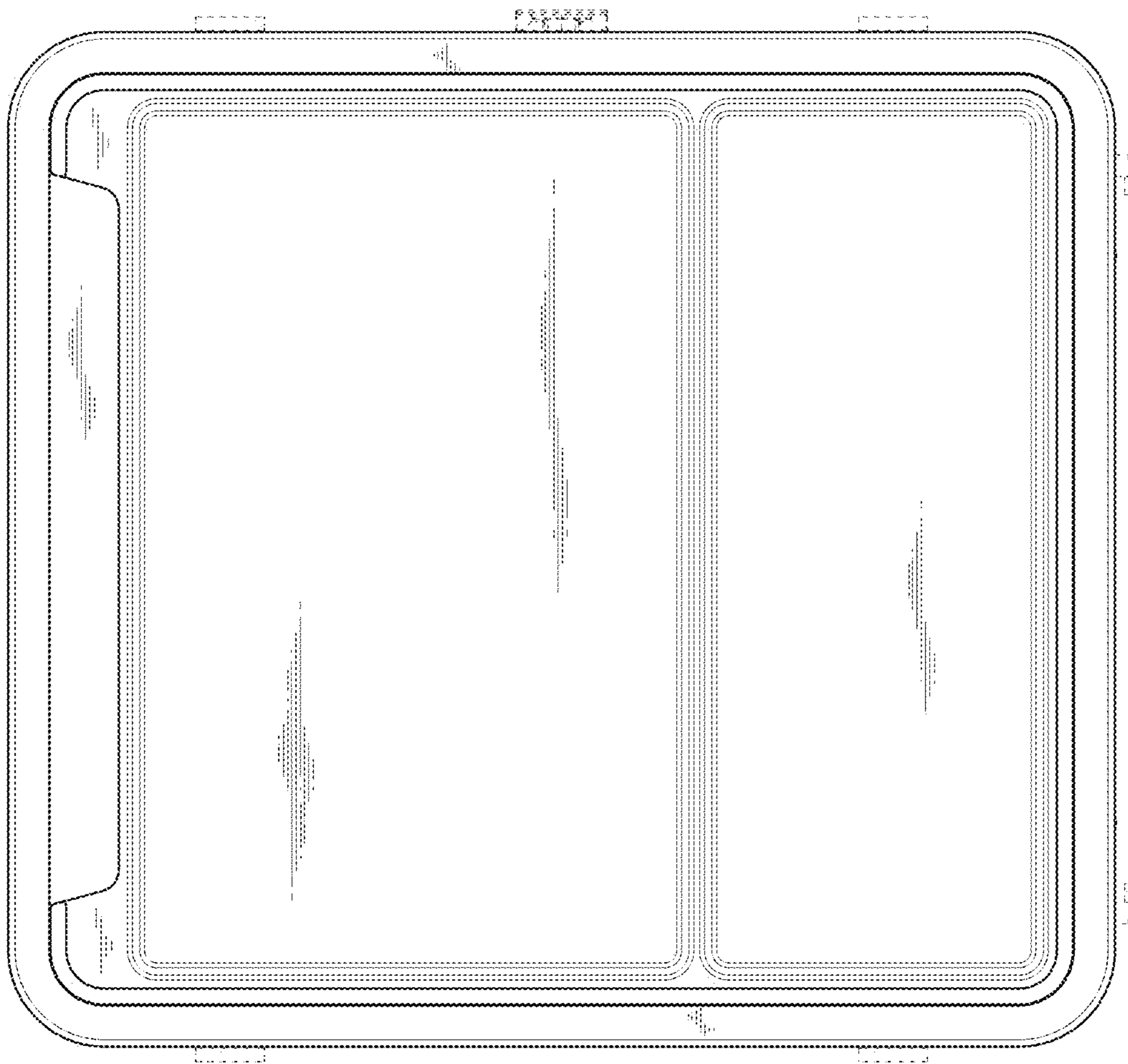


FIG. 7



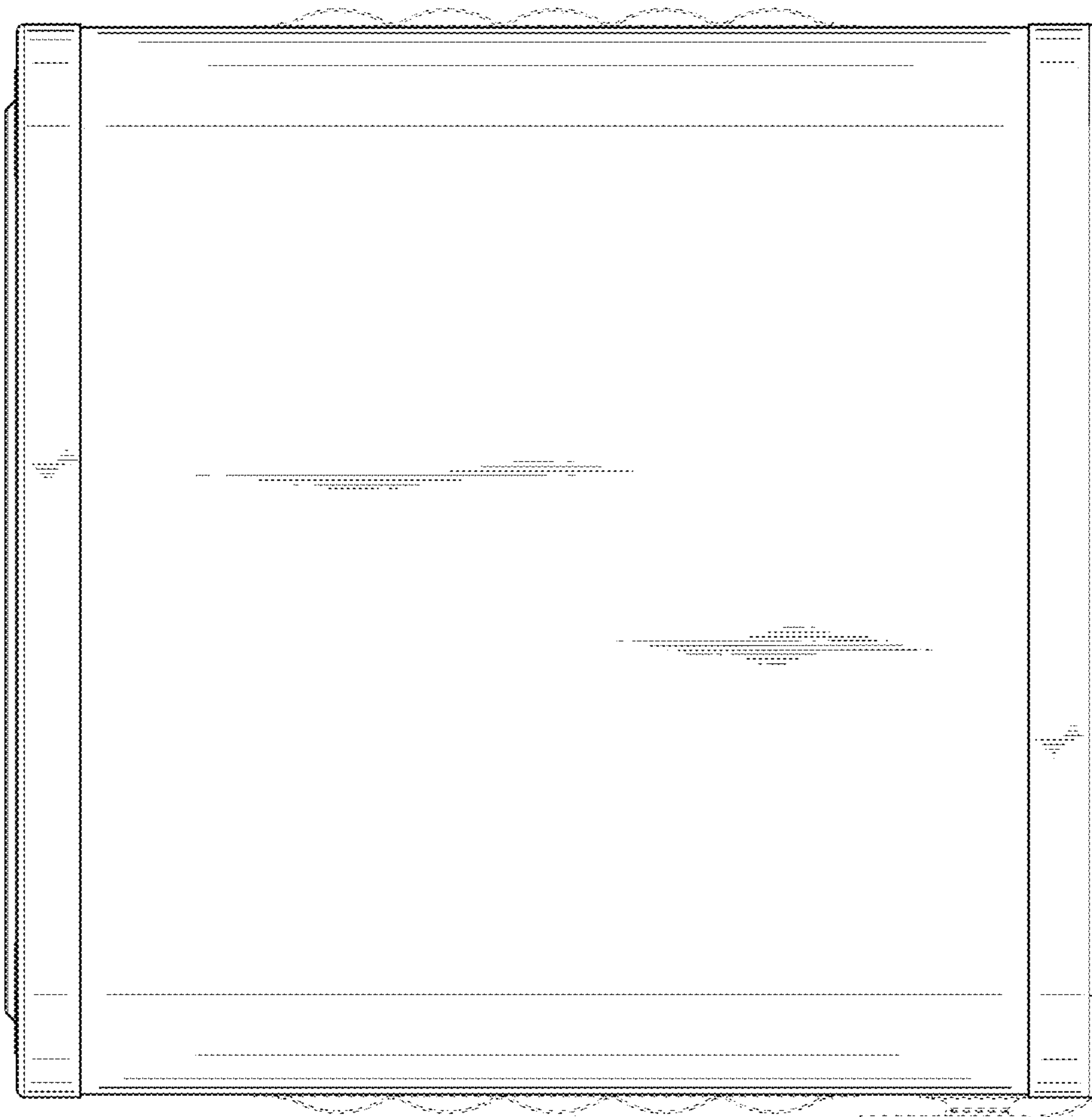


FIG. 8