



US0D1034831S

(12) **United States Design Patent** (10) **Patent No.:** **US D1,034,831 S**  
**Orlov** (45) **Date of Patent:** **\*\* Jul. 9, 2024**

(54) **BALL TENSION HOLDER**  
(71) Applicant: **Vladimir Orlov**, Sherman Oaks, CA (US)  
(72) Inventor: **Vladimir Orlov**, Sherman Oaks, CA (US)  
(\*\*) Term: **15 Years**  
(21) Appl. No.: **29/819,181**  
(22) Filed: **Dec. 13, 2021**  
(51) **LOC (14) Cl.** ..... **21-01**  
(52) **U.S. Cl.**  
USPC ..... **D21/454**  
(58) **Field of Classification Search**  
USPC ..... D21/454, 567, 715-721, 722, 780;  
D30/129, 160; D11/164; D8/374  
CPC ... A63B 37/00; A63B 37/0022; A63B 37/001;  
A63B 37/0011; A63B 37/12; A63B  
37/14; A63B 39/00; A63B 39/06; A63B  
41/00; A63B 43/00; A63B 43/008; A63B  
43/02; A63B 43/06; A63B 47/00; A63B  
57/20; A63B 59/20; A63B 63/00; A63B  
2063/001; A63B 67/10; A63B 67/00;  
A63B 2069/0008; A63B 69/002; A63B  
69/345; A63B 69/34; A63B 69/201; A63B  
69/205; A63B 69/40; A63B 69/406; A63B  
69/407; A63B 71/14; A63B 71/143; A63B  
71/145; A63B 65/10; A63B 65/12; A63B  
2208/14; A65B 69/00; F41B 7/00; A01K  
15/00; A01K 15/02; A01K 15/025; A01K  
1/10; A63H 27/00; B68B 1/00  
See application file for complete search history.

(56) **References Cited**  
U.S. PATENT DOCUMENTS  
D160,257 S \* 9/1950 Gilmore ..... D21/454  
D237,811 S \* 11/1975 Goldfarb ..... D21/454  
D241,873 S \* 10/1976 Dunbar ..... D21/454  
D339,392 S \* 9/1993 Sims ..... D21/715

D380,236 S \* 6/1997 Kupperman ..... D21/454  
5,951,414 A \* 9/1999 Sowards ..... A63B 69/0091  
473/423  
7,112,153 B1 9/2006 Beu  
D571,876 S \* 6/2008 Perry-Smith ..... D21/722  
(Continued)

**FOREIGN PATENT DOCUMENTS**

CN 302498009 \* 7/2013  
CN 308215874 \* 9/2023

**OTHER PUBLICATIONS**

Zoom-O Flying Disc Launcher w\_Catch Net \_ Catch , site visited  
Mar. 21, 2024 [online]. Available from internet, URL:<<https://www.onwardhardware.com/us/en/category/shelving-and-storage-hardware/storage-hooks/ball-holder/1204597/sku-2295BC>> (Year: 2024).\*  
(Continued)

*Primary Examiner* — Lauren D McVey  
*Assistant Examiner* — Elisa M Pujals

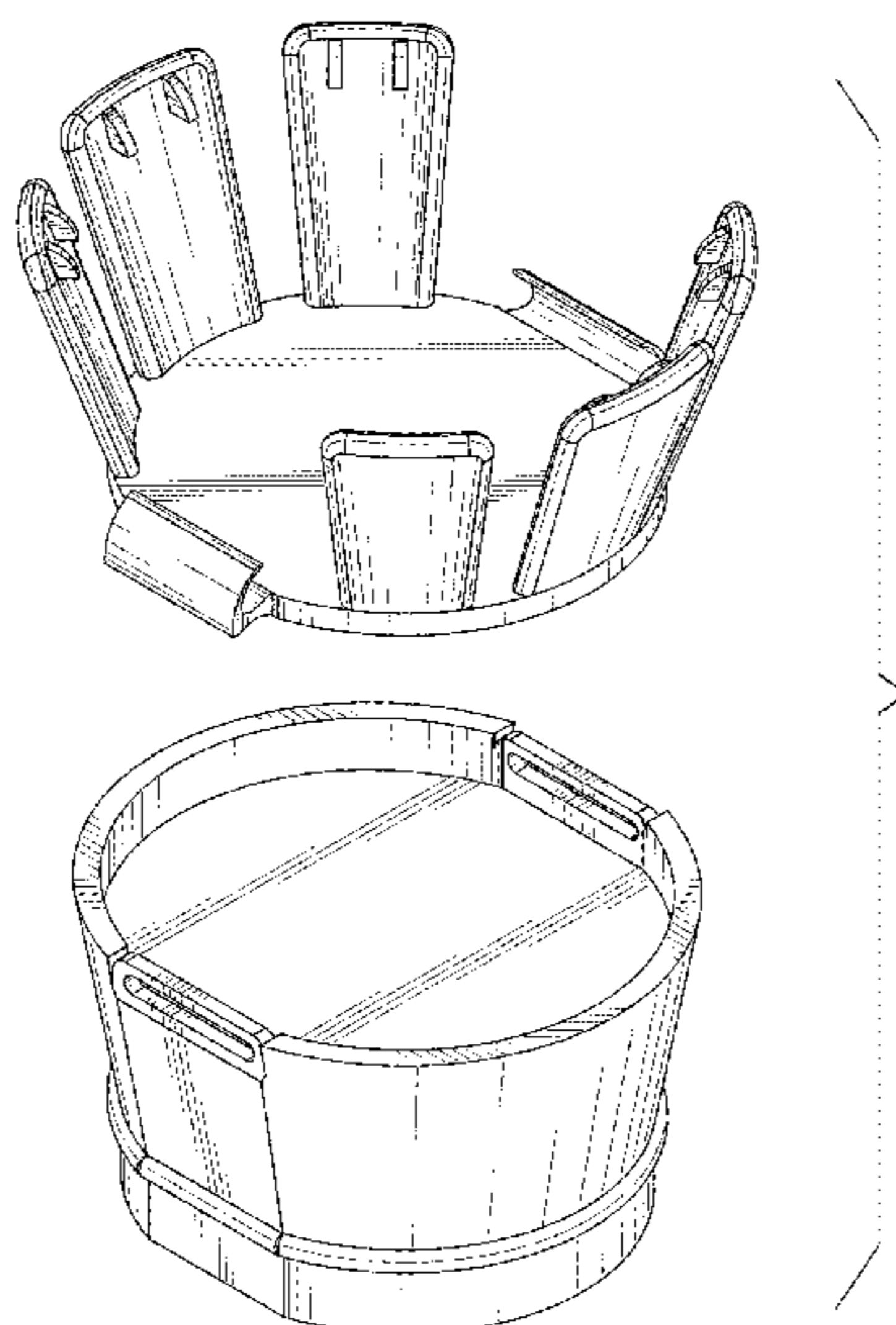
(57) **CLAIM**

The ornamental design for a ball tension holder, as shown and described.

**DESCRIPTION**

FIG. 1 is a top-front-left perspective view of a ball tension holder showing my new design;  
FIG. 2 is a bottom-rear-right perspective view thereof;  
FIG. 3 is a front elevational view thereof;  
FIG. 4 is a rear elevational view thereof;  
FIG. 5 is a left elevational view thereof;  
FIG. 6 is a right elevational view thereof;  
FIG. 7 is a top plan view thereof;  
FIG. 8 is a bottom plan view thereof;  
FIG. 9 is an exploded top-front-left perspective view thereof; and,  
FIG. 10 is an exploded bottom-rear-right perspective view thereof.

**1 Claim, 10 Drawing Sheets**



(56)

**References Cited**

U.S. PATENT DOCUMENTS

8,715,117	B1	5/2014	Janish	
9,878,215	B1	1/2018	Stanford	
D814,581	S *	4/2018	Norcross .....	D30/129
D837,910	S *	1/2019	Norcross .....	D30/129
D917,637	S *	4/2021	Morales .....	D21/698
D992,652	S *	7/2023	Sadeghi .....	D21/468
D996,551	S *	8/2023	Zwart .....	D21/796
2006/0094545	A1	5/2006	Blades	
2007/0111830	A1	5/2007	Wright	
2011/0224032	A1	9/2011	Kostouros	
2011/0237412	A1*	9/2011	Signorile .....	A63B 41/125 482/142

OTHER PUBLICATIONS

4pcs Press Launch Ball Toy Launcher Catapult Ball Gift Rewards ( Random Color) \_ Shein USA, site visited Mar. 21, 2024 [online]. Available from internet, URL:< [https://us.shein.com/4pcs-Press-Launch-Ball-Toy-Launcher-Catapult-Ball-Gift-Rewards-\(-Random-Color\)-p-27884492-cat-7475.html](https://us.shein.com/4pcs-Press-Launch-Ball-Toy-Launcher-Catapult-Ball-Gift-Rewards-(-Random-Color)-p-27884492-cat-7475.html)> (Year: 2024).\*

\* cited by examiner

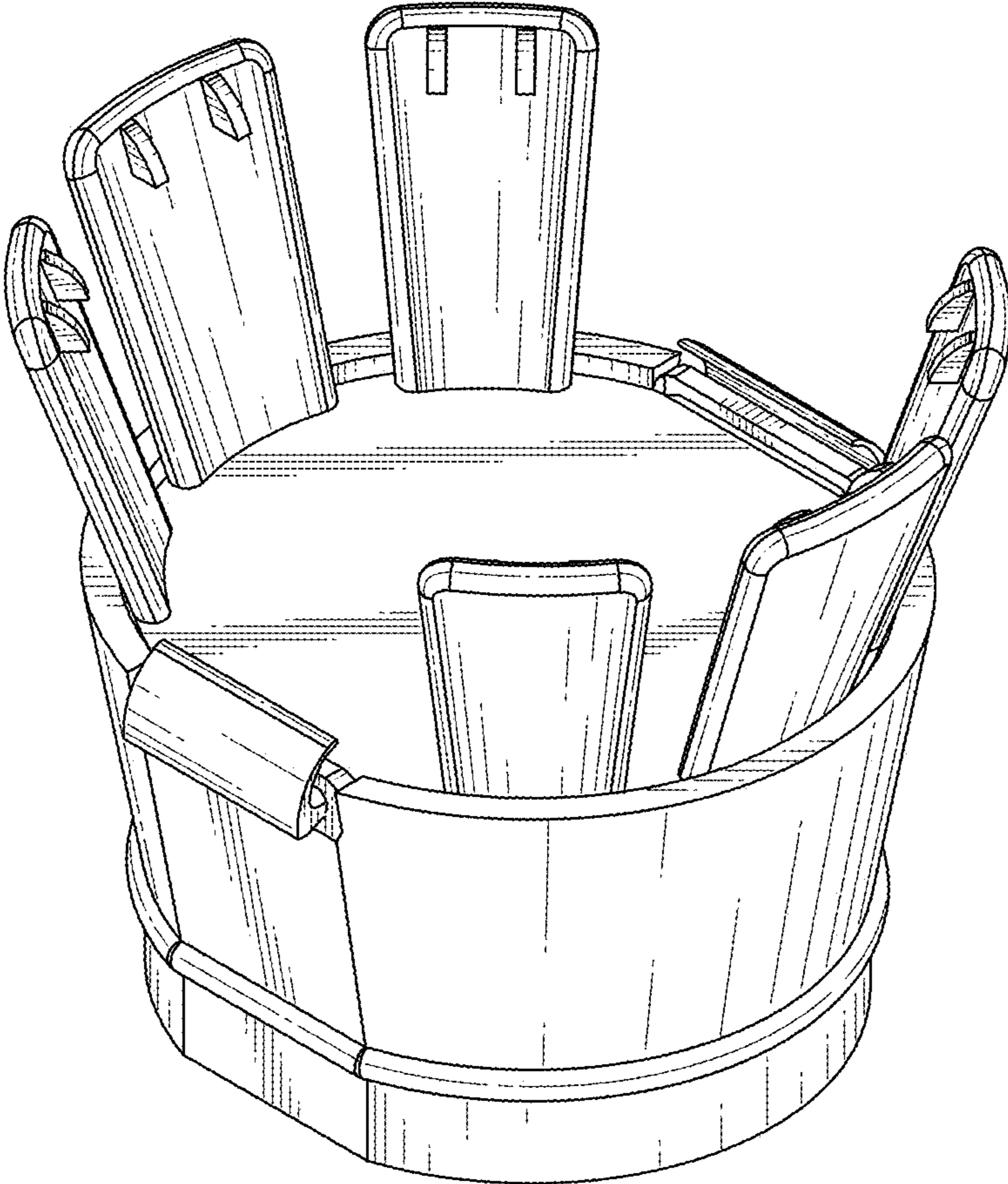


FIG. 1

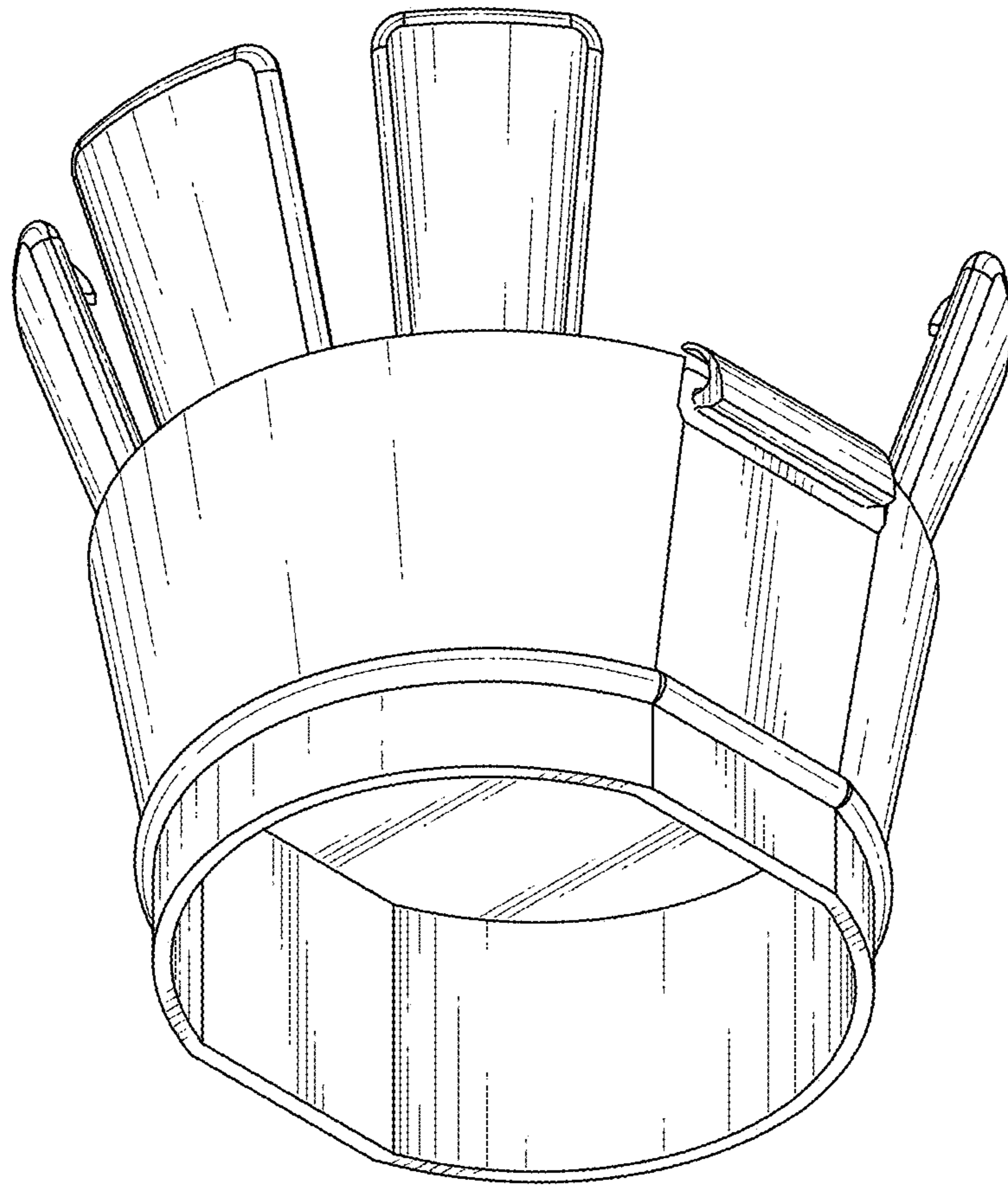


FIG. 2



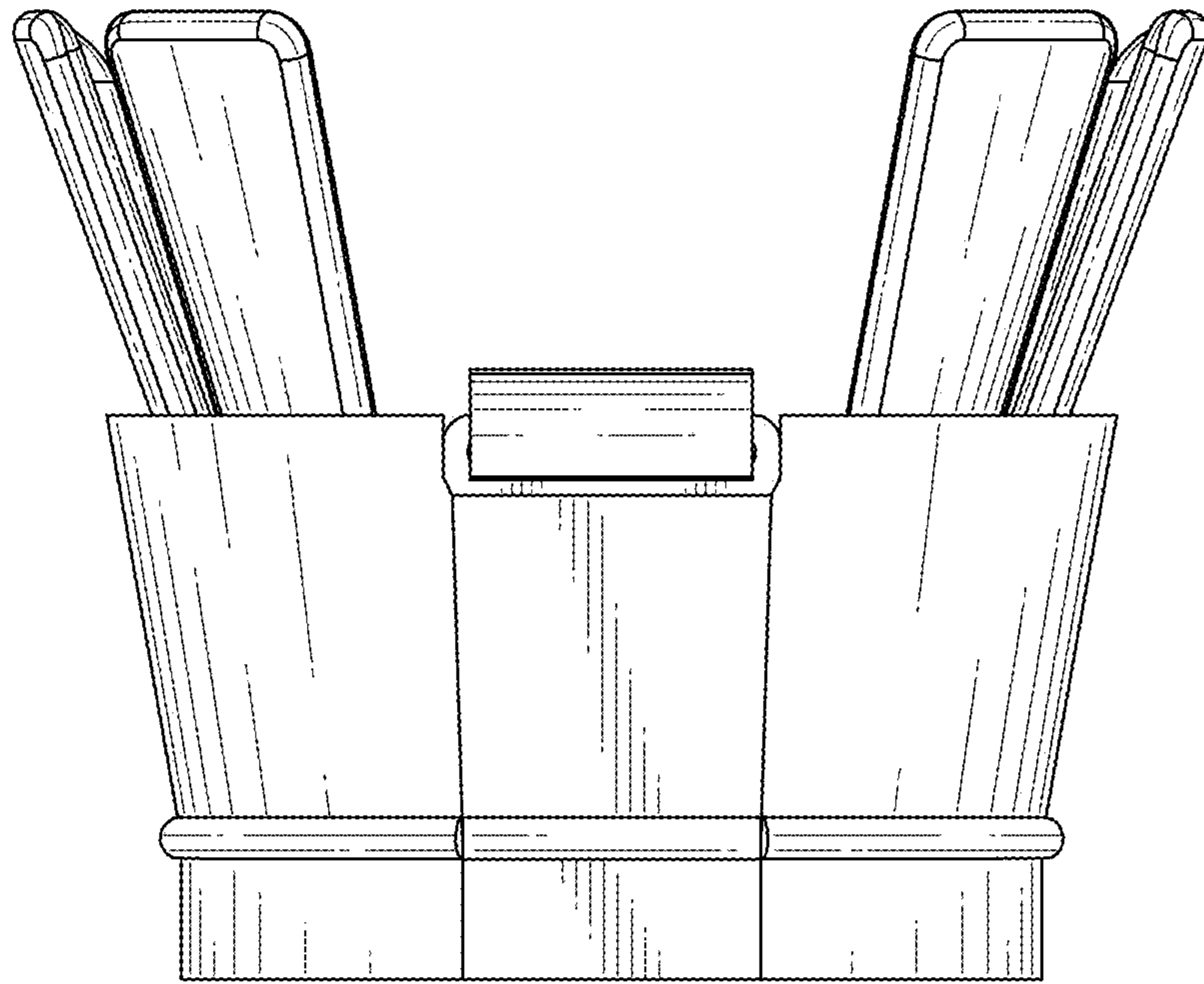


FIG. 3

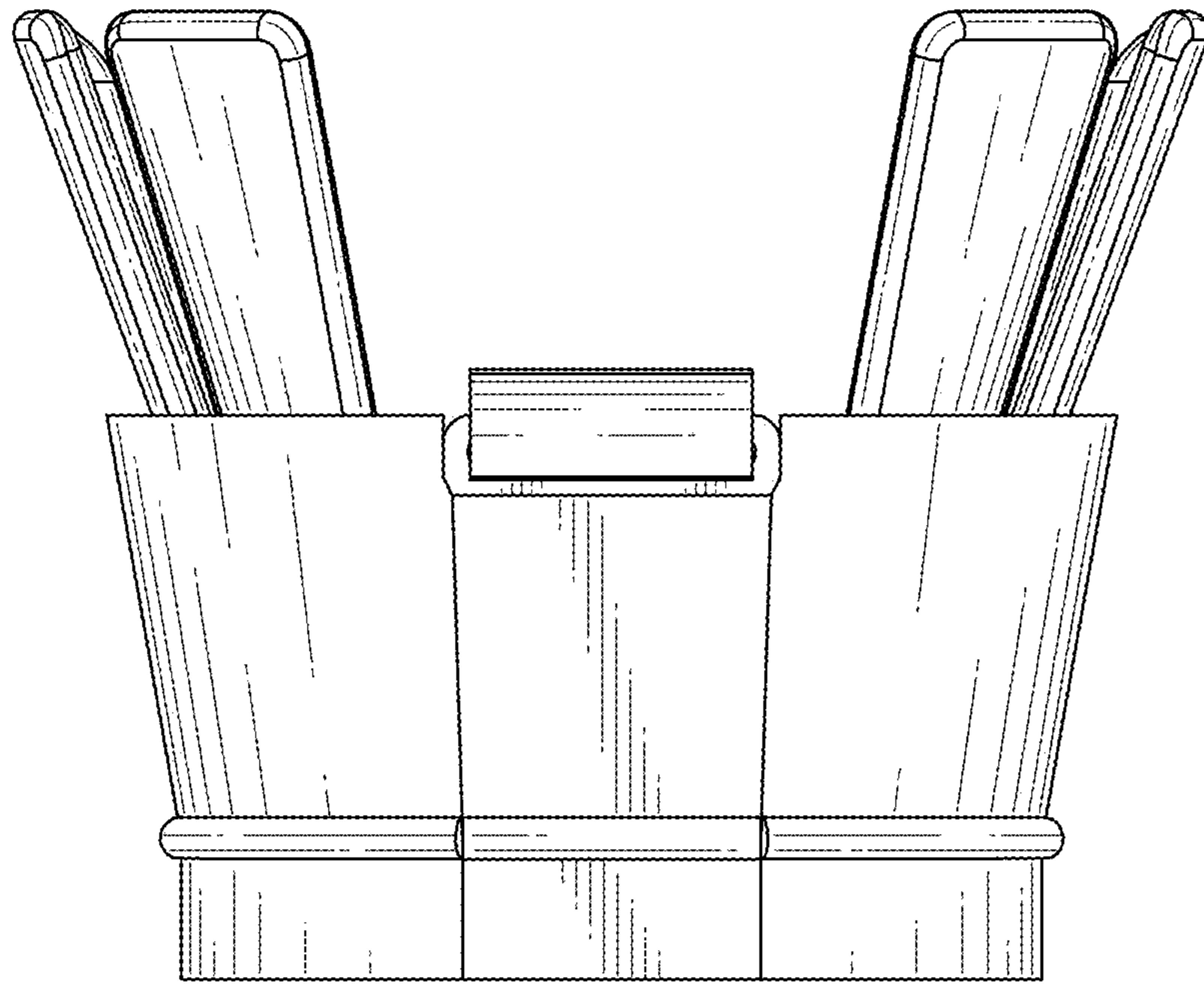


FIG. 4

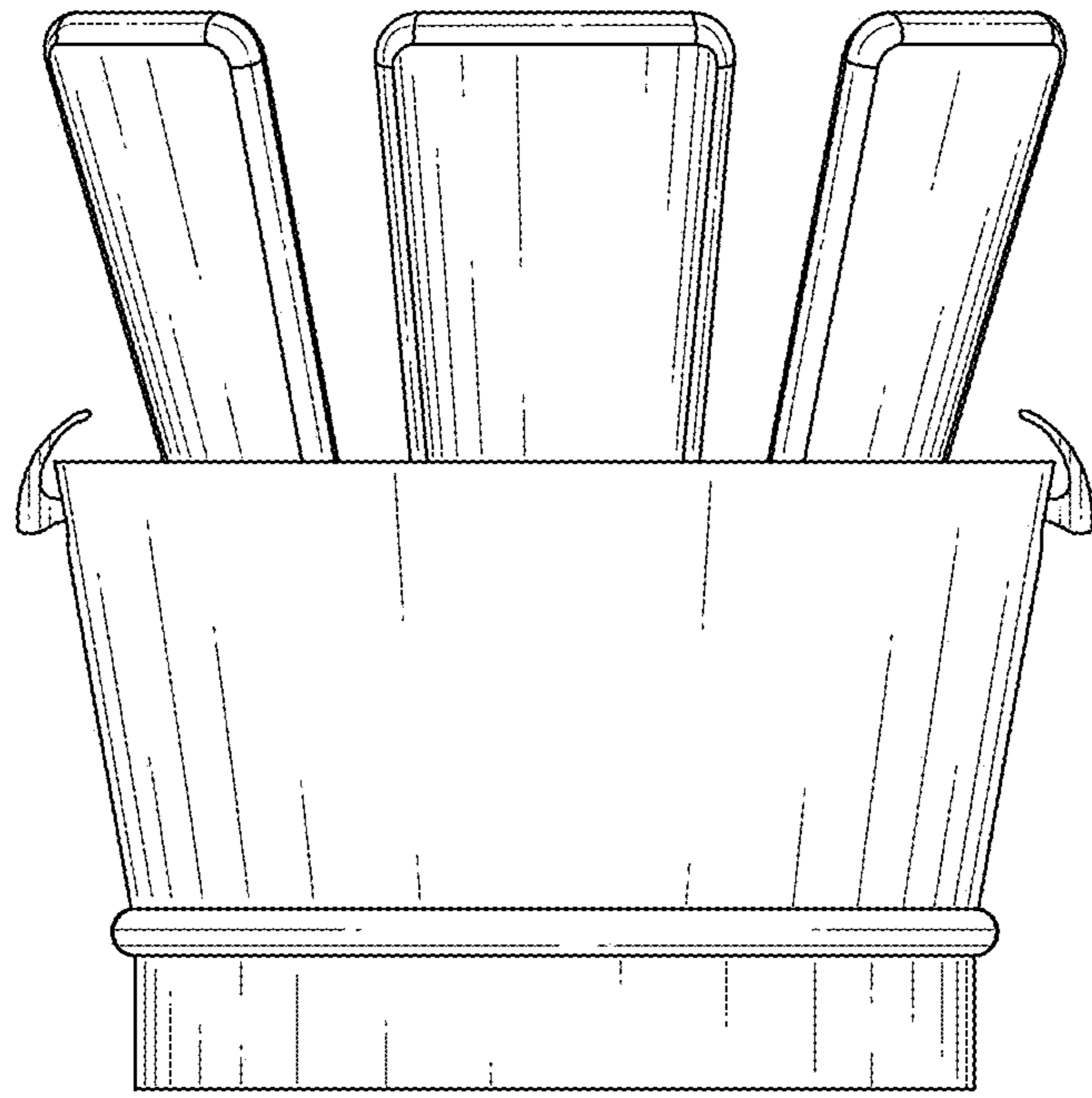


FIG. 5

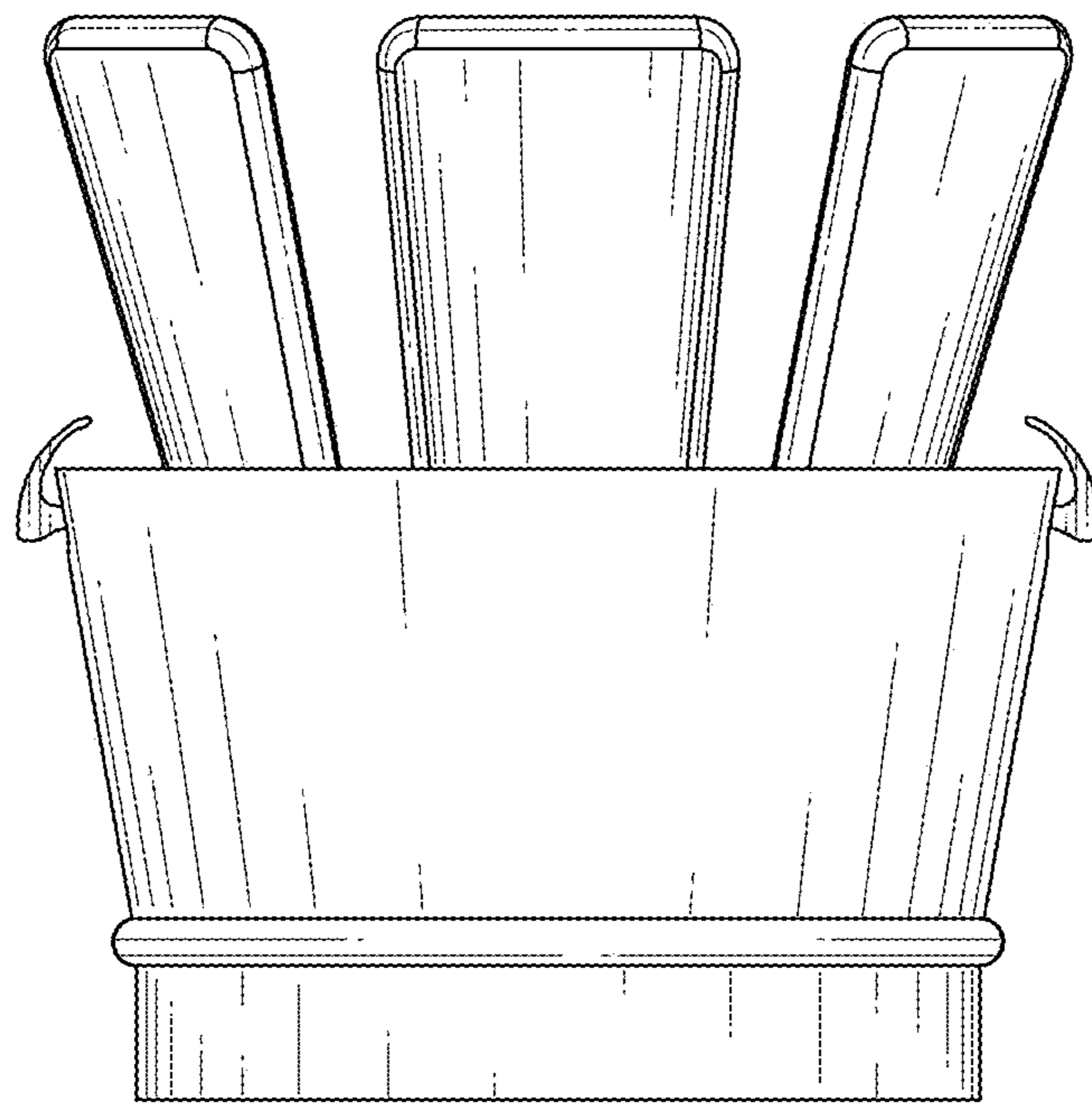


FIG. 6



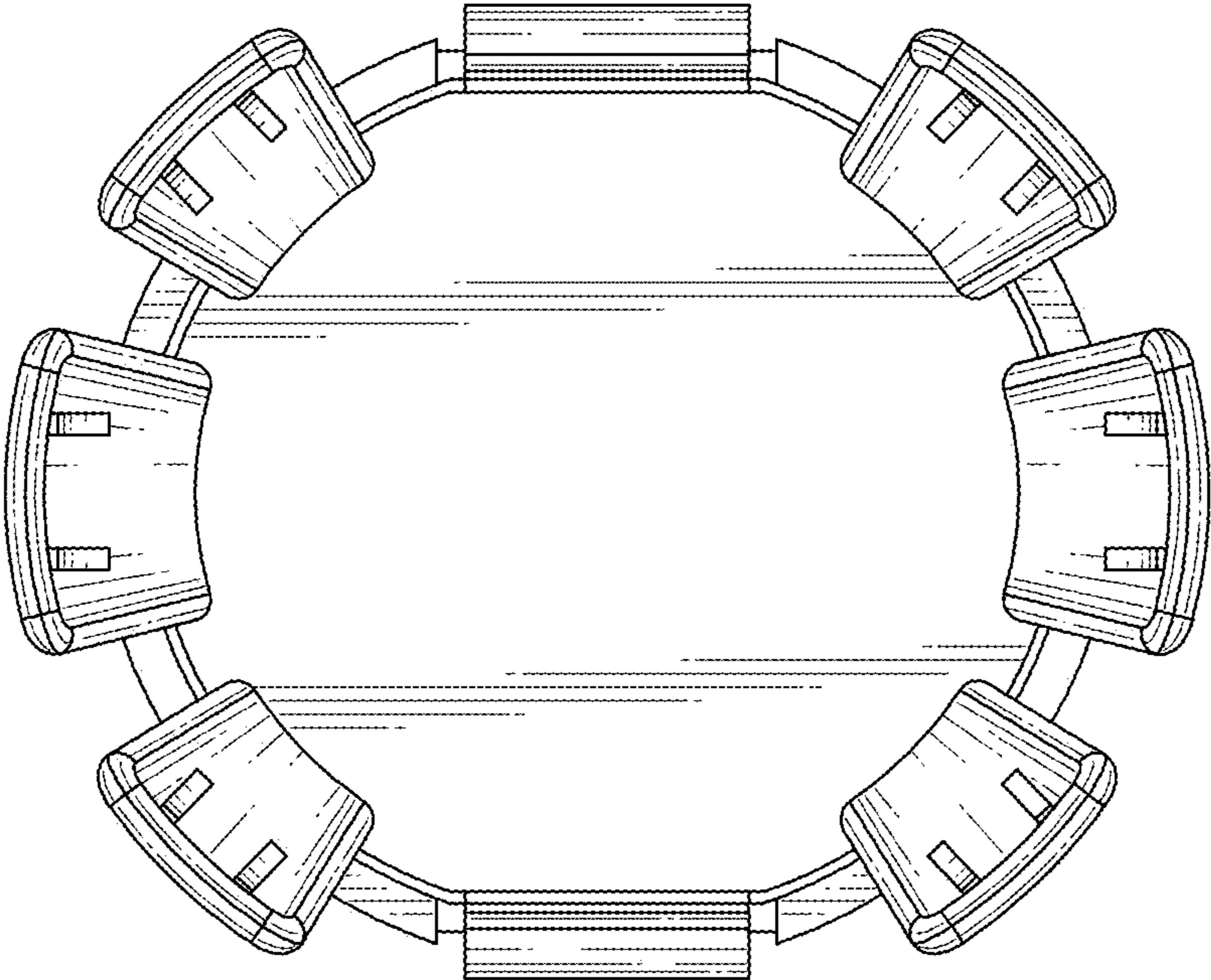


FIG. 7

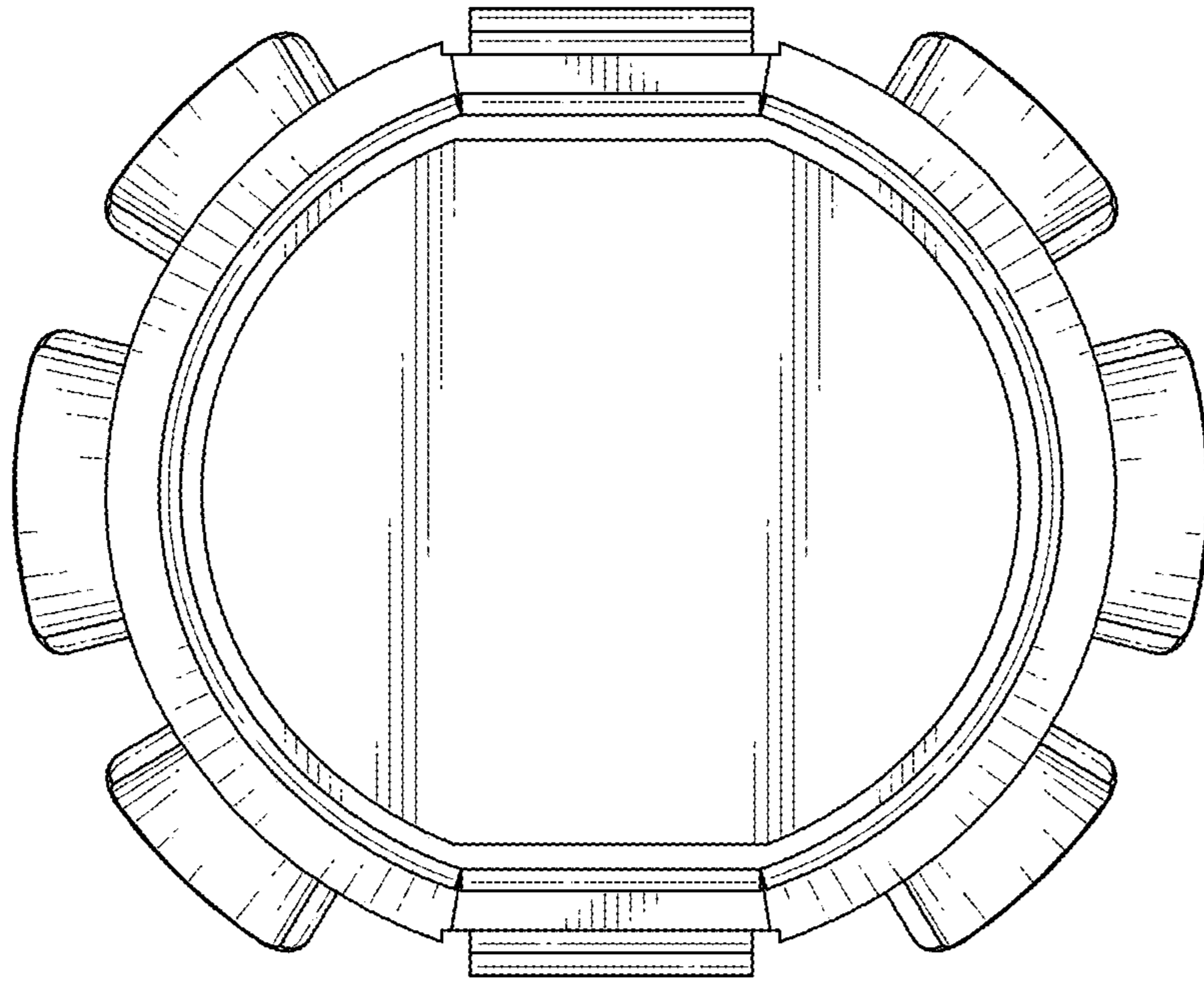


FIG. 8

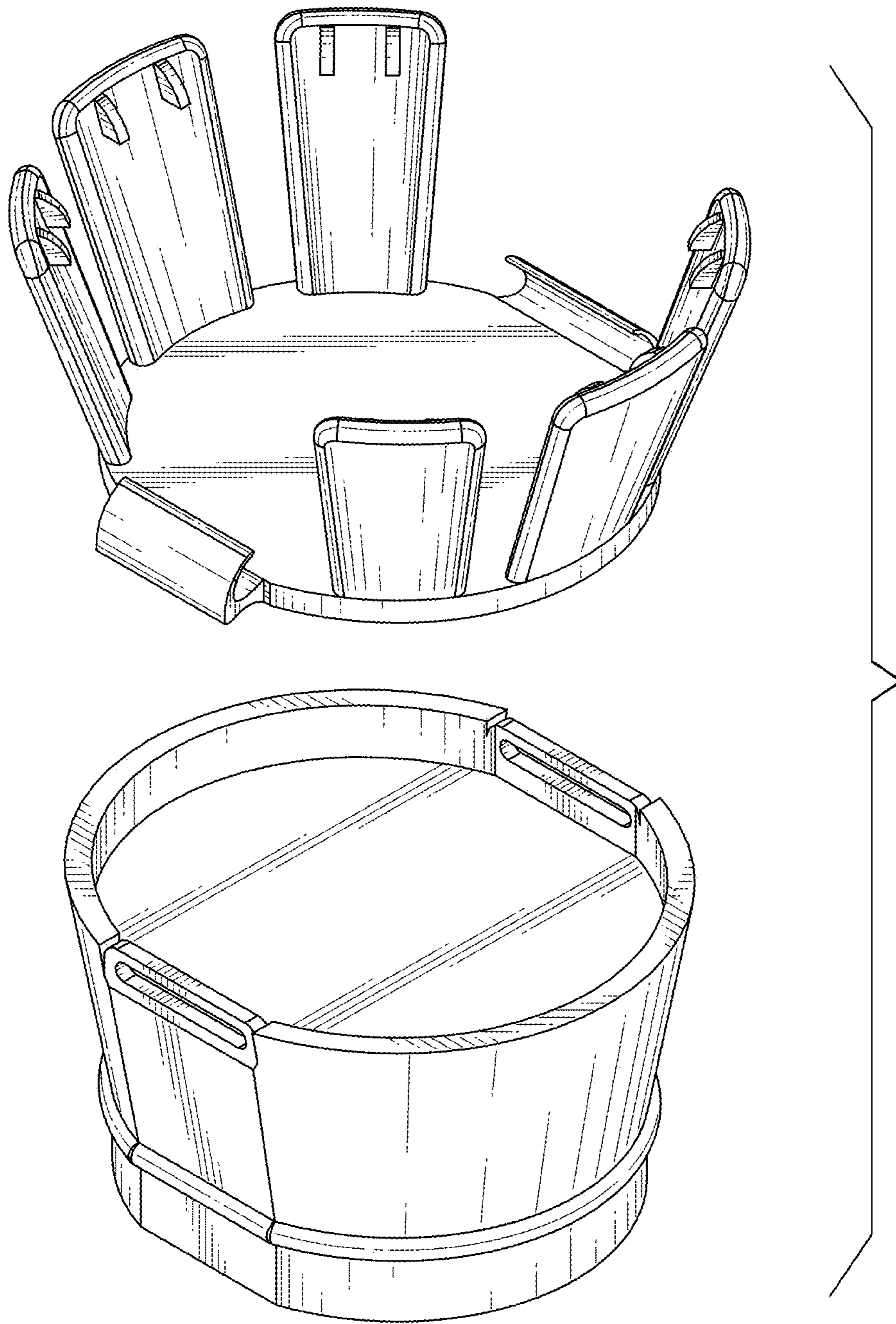


FIG. 9

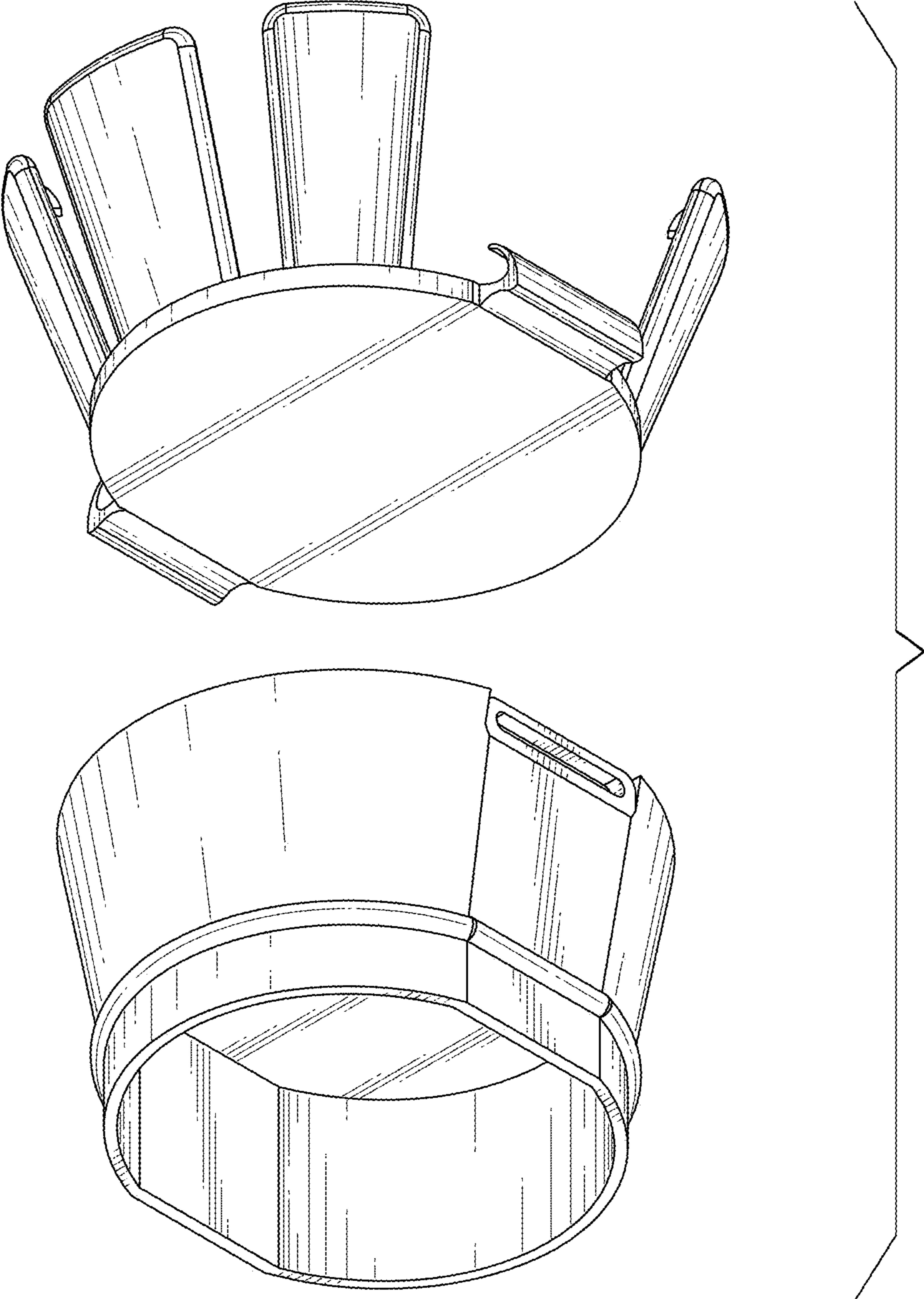


FIG. 10