



US0D1034790S

(12) **United States Design Patent** (10) **Patent No.:** **US D1,034,790 S**
Parish (45) **Date of Patent:** **** Jul. 9, 2024**

(54) **DRUM HOOP**

(71) Applicant: **John Owen Parish**, Midlothian, TX
(US)

(72) Inventor: **John Owen Parish**, Midlothian, TX
(US)

(73) Assignee: **John Owen Parish**, Midlothian, TX
(US)

(**) Term: **15 Years**

(21) Appl. No.: **29/813,832**

(22) Filed: **Nov. 1, 2021**

(51) **LOC (14) Cl.** **17-04**

(52) **U.S. Cl.**
USPC **D17/22**

(58) **Field of Classification Search**
USPC D17/22, 23, 99; D21/405, 410
CPC G10D 13/01; G10D 13/02; G10D 13/10;
G10D 13/12; G10D 13/16; G10D 13/18;
G10D 13/20; G10D 13/22; G10D 9/11;
G10D 13/06; G10D 13/08; G10D 99/00
See application file for complete search history.

(56) **References Cited**

U.S. PATENT DOCUMENTS

- 1,144,452 A * 6/1915 Wanamaker G10D 13/16
84/411 R
- 5,091,248 A * 2/1992 Belli B32B 27/36
84/414
- 5,140,889 A * 8/1992 Segan G10D 13/02
446/418
- 5,583,307 A * 12/1996 Tobia, Jr. G10H 3/146
84/DIG. 12
- D405,460 S * 2/1999 Tobia, Jr. D17/22
- 7,138,574 B1 * 11/2006 Spinazzola G10D 13/16
84/411 R
- D556,249 S * 11/2007 Belli D17/22
- 7,456,350 B2 * 11/2008 Neumayer G10D 13/02
84/411 R

- D763,953 S * 8/2016 Kenkman D17/22
- D807,442 S * 1/2018 Ross D21/662
- 2005/0022648 A1 * 2/2005 Belli G10D 13/16
84/10

(Continued)

FOREIGN PATENT DOCUMENTS

- GB 2507606 A * 5/2014 G10D 13/02
- JP 2001236059 A * 8/2001 G10D 13/027
- WO WO-2008029067 A2 * 3/2008 G10D 13/027

OTHER PUBLICATIONS

Facebook. <https://m.facebook.com/p/Rock-Drum-Hoops-100037208063745/>. Rock Drum Hoops. Date Unknown: Viewed Jan. 2024 (Year: 2024).*

(Continued)

Primary Examiner — R. Johnson
(74) *Attorney, Agent, or Firm* — Park, Vaughan, Fleming & Dowler LLP; Shane Nelson

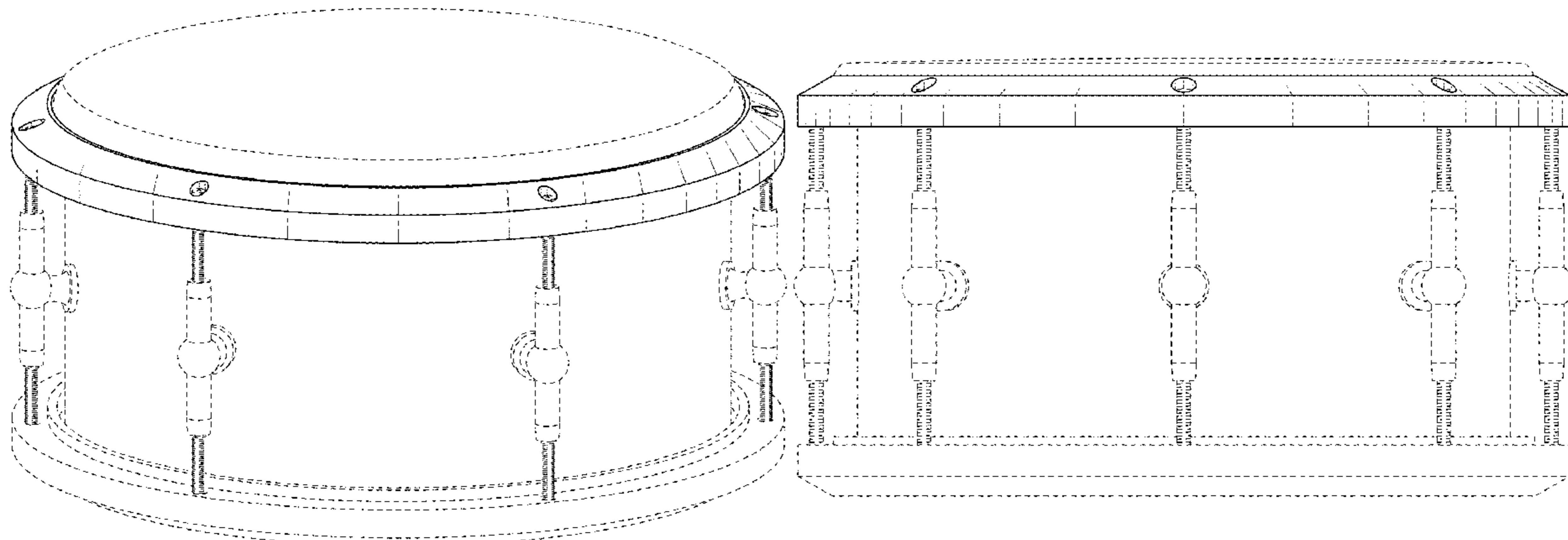
(57) **CLAIM**

The ornamental design for a drum hoop, as shown and described.

DESCRIPTION

FIG. 1 is a perspective view of a drum hoop showing my design;
FIG. 2 is a side view of the drum hoop of FIG. 1;
FIG. 3 is a top view of the drum hoop of FIG. 1;
FIG. 4 is a bottom view of the drum hoop of FIG. 1; and,
FIG. 5 is a cross-sectional view of the drum hoop of FIG. 1.
The dashed lines represent environmental structure and form no part of the claimed design. All other surface(s) or portion(s) of my designs not shown in the figures or otherwise described in the specification form no part of the claimed designs.

1 Claim, 5 Drawing Sheets



(56)

References Cited

U.S. PATENT DOCUMENTS

2017/0112714 A1* 4/2017 Hwang A61H 23/0236

OTHER PUBLICATIONS

Daville Drumworks. <https://www.davilledrumworks.com/hoops>. "Thick Ply Hoops". Oct. 2016 (Year: 2016).*

* cited by examiner

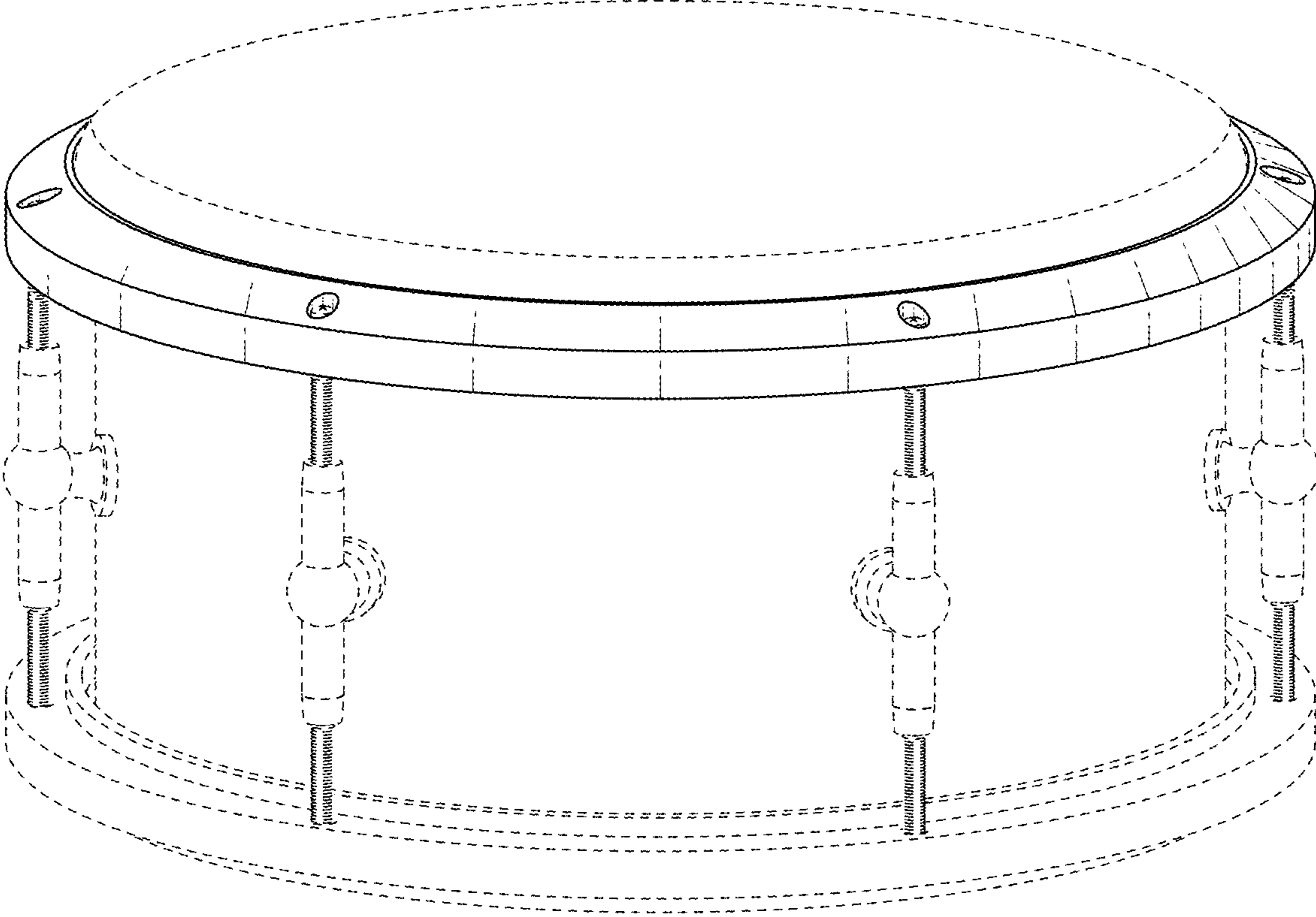


FIG. 1

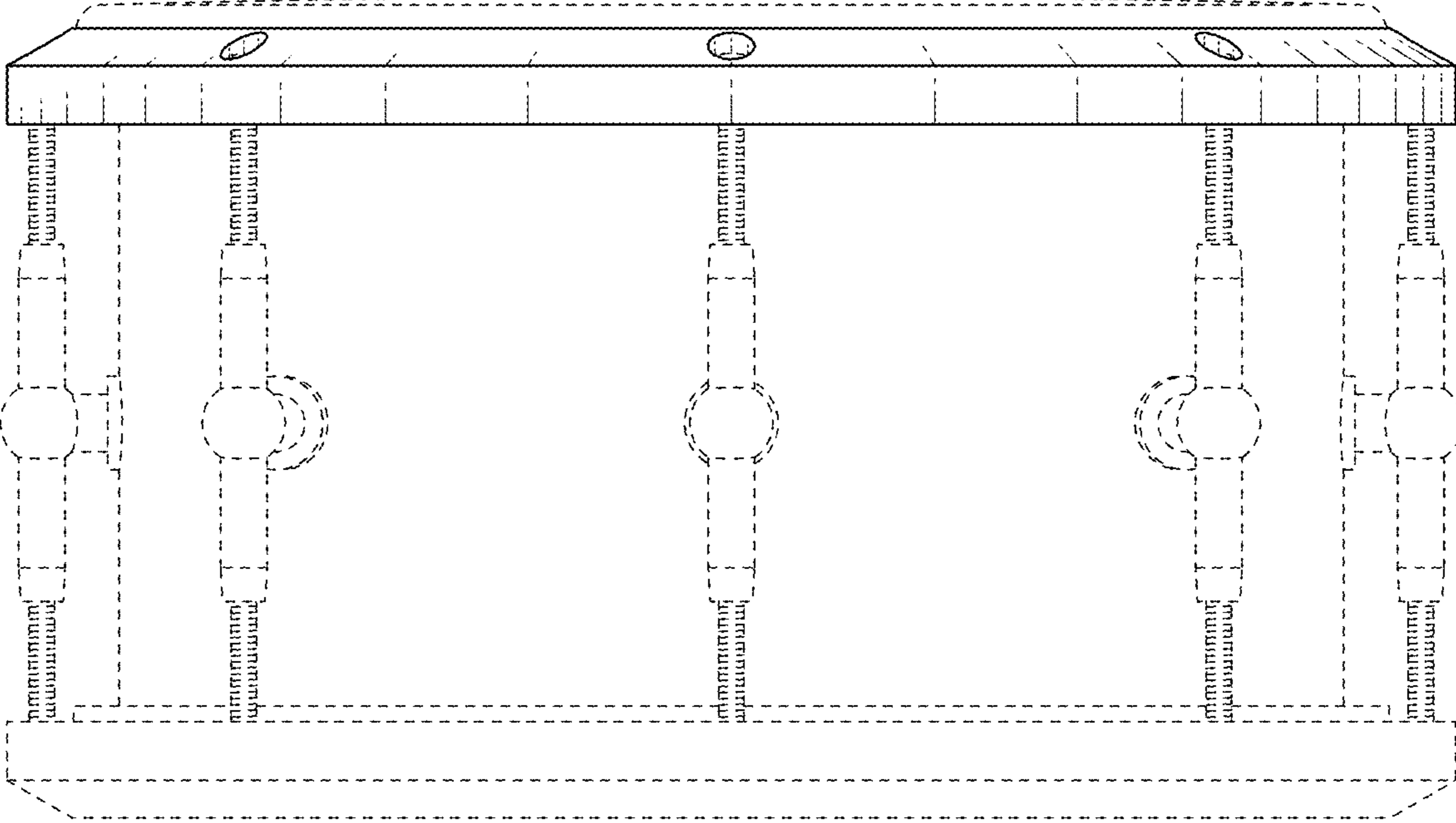


FIG. 2

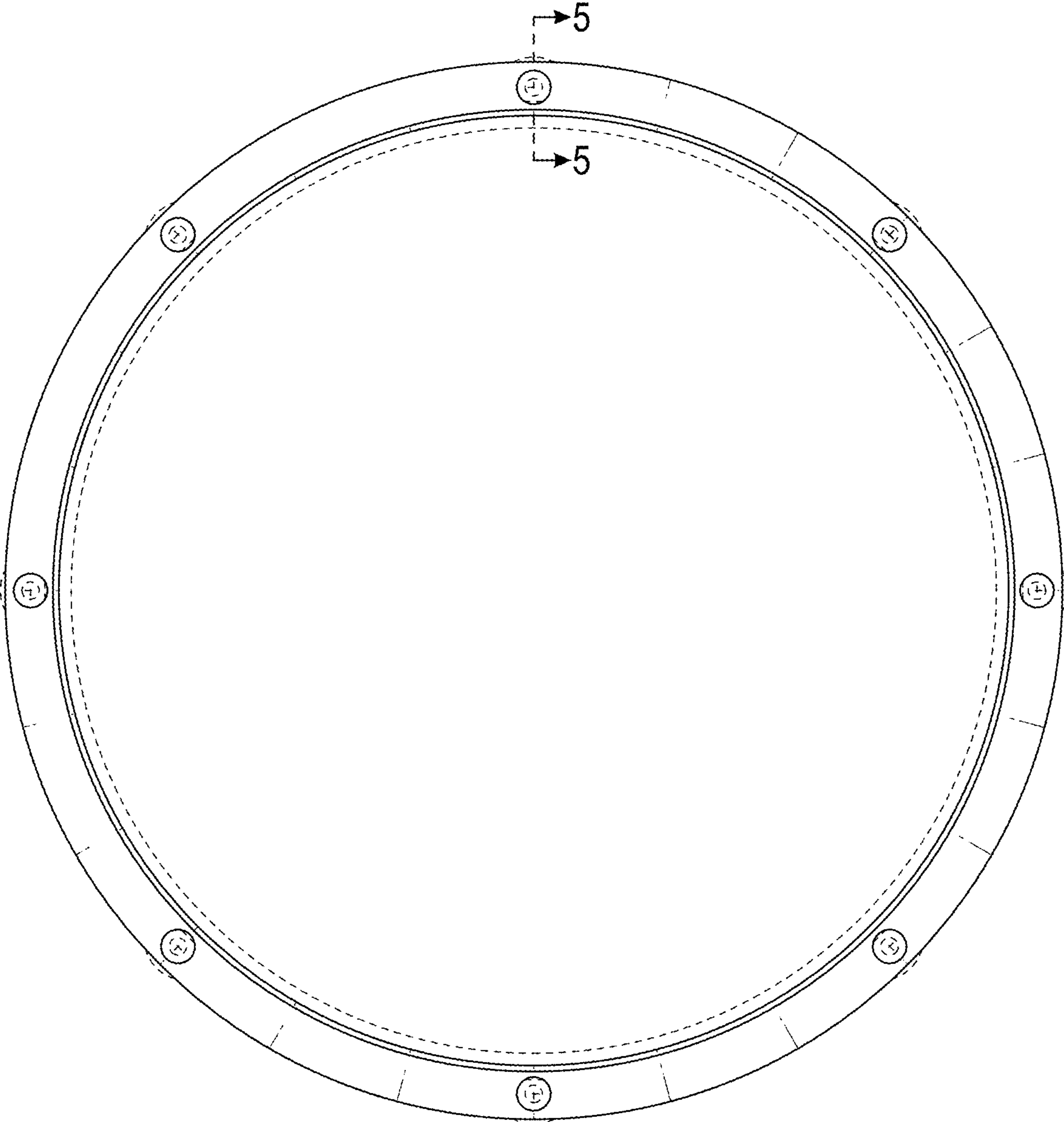


FIG. 3

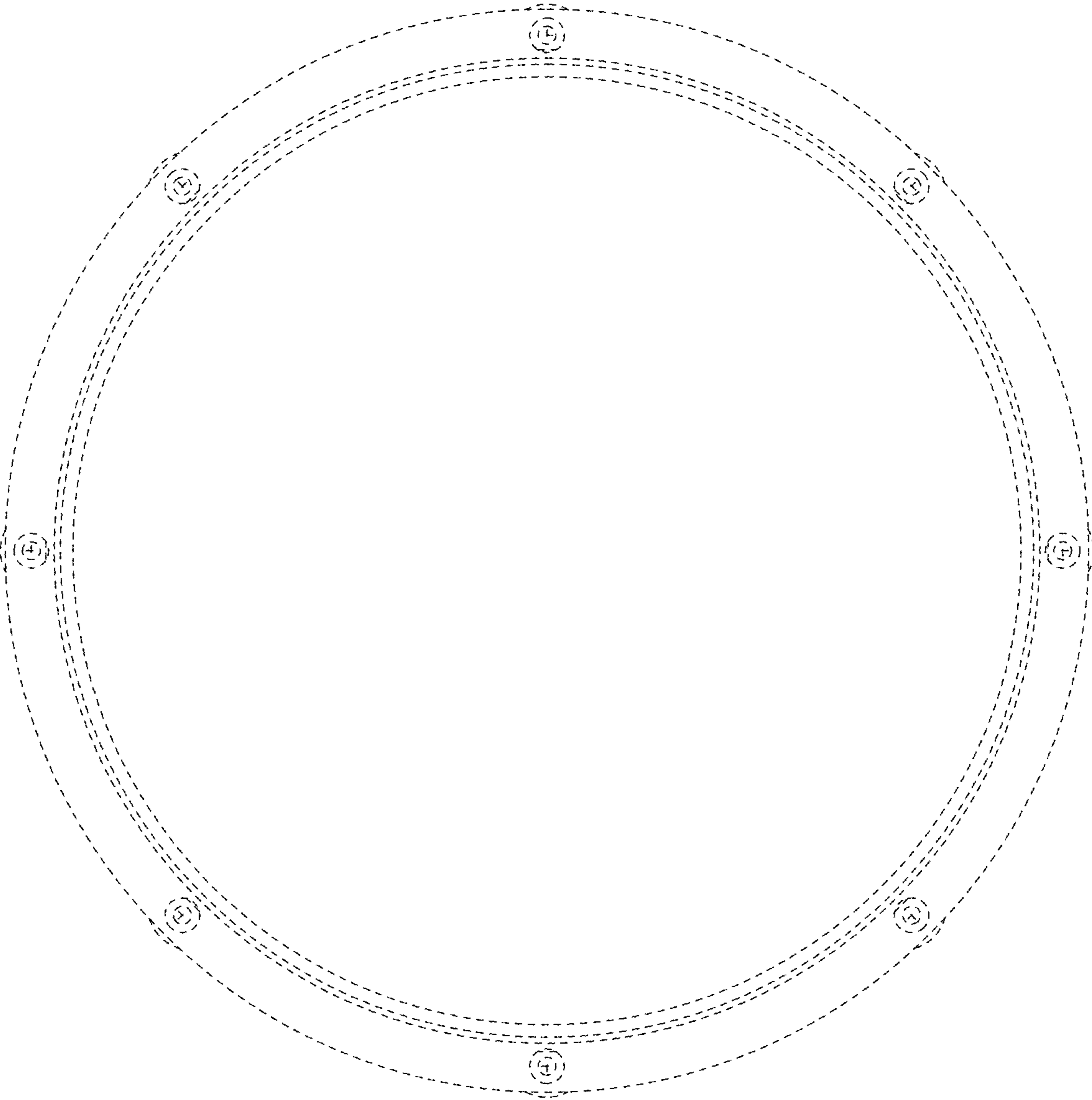


FIG. 4

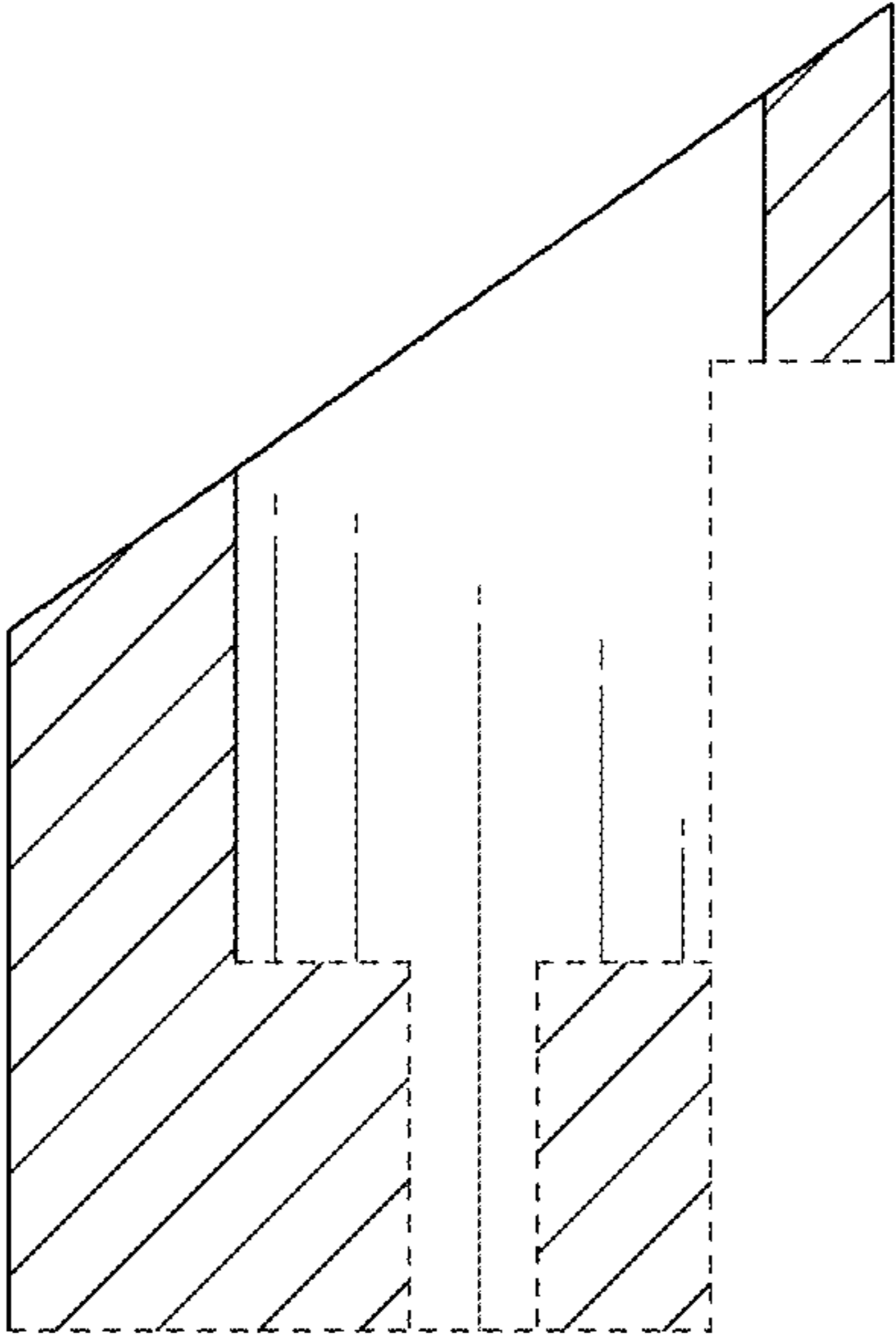


FIG. 5