



US0D1034710S

(12) **United States Design Patent** (10) **Patent No.:** **US D1,034,710 S**  
**Pape** (45) **Date of Patent:** **\*\* Jul. 9, 2024**

(54) **BAGGED ICE DISPENSING MACHINE**

FOREIGN PATENT DOCUMENTS

(71) Applicant: **Reddy Ice LLC**, Dallas, TX (US)

CN 2150499 Y 12/1993  
EP 0459050 A1 12/1991

(72) Inventor: **Henrik Pape**, Horsens (DK)

(Continued)

(73) Assignee: **REDDY ICE LLC**, Dallas, TX (US)

OTHER PUBLICATIONS

(\*\*) Term: **15 Years**

International Search Report and Written Opinion for PCT/DK2014/050002, mailed on Apr. 3, 2014, in 11 pages.

(21) Appl. No.: **29/928,327**

(Continued)

(22) Filed: **Feb. 9, 2024**

*Primary Examiner* — Khawaja Anwar

**Related U.S. Application Data**

(74) *Attorney, Agent, or Firm* — HAYNES AND BOONE, LLP

(60) Continuation of application No. 29/913,934, filed on Oct. 11, 2023, now Pat. No. Des. 1,017,651, which is  
(Continued)

(51) **LOC (14) Cl.** ..... **15-07**

(57) **CLAIM**

(52) **U.S. Cl.**

The ornamental design for a bagged ice dispensing machine, as shown and described.

USPC ..... **D15/79**

(58) **Field of Classification Search**

**DESCRIPTION**

USPC ..... D15/79-91

CPC ..... F25D 23/126; F25D 2400/02; F25D 2400/06; F25D 2400/361; F25D 2400/40; F25D 25/005; F25D 25/02; F25D 2600/02; F25D 2700/02; F25D 2700/12; F25D 2700/121; F25D 2700/14; F25D 29/00; F25D 2317/061; F25D 2317/067; F25D 2323/021; F25D 2323/024; F25D 23/028; F25D 23/04; F25D 23/066; F25D 23/085; F25D 11/00; F25D 17/065; F25D 2325/022;

FIG. 1 is a top-left-front perspective view of a bagged ice dispensing machine showing my new design, according to a first embodiment;

FIG. 2 is a front elevational view of the first embodiment;

FIG. 3 is a top-left-front perspective view of the bagged ice dispensing machine showing my new design, according to a second embodiment; and,

FIG. 4 is a front elevational view of the second embodiment. The broken lines in the FIGS. 1-4 show portions of the bagged ice dispensing machine that form no part of the claimed design.

(Continued)

All other perspective views, and all other orthogonal views, of the bagged ice dispensing machine are not shown and form no part of the claimed design. Any surface, or any portion of any surface, of the bagged ice dispensing machine not shown in FIGS. 1-4 forms no part of the claimed design.

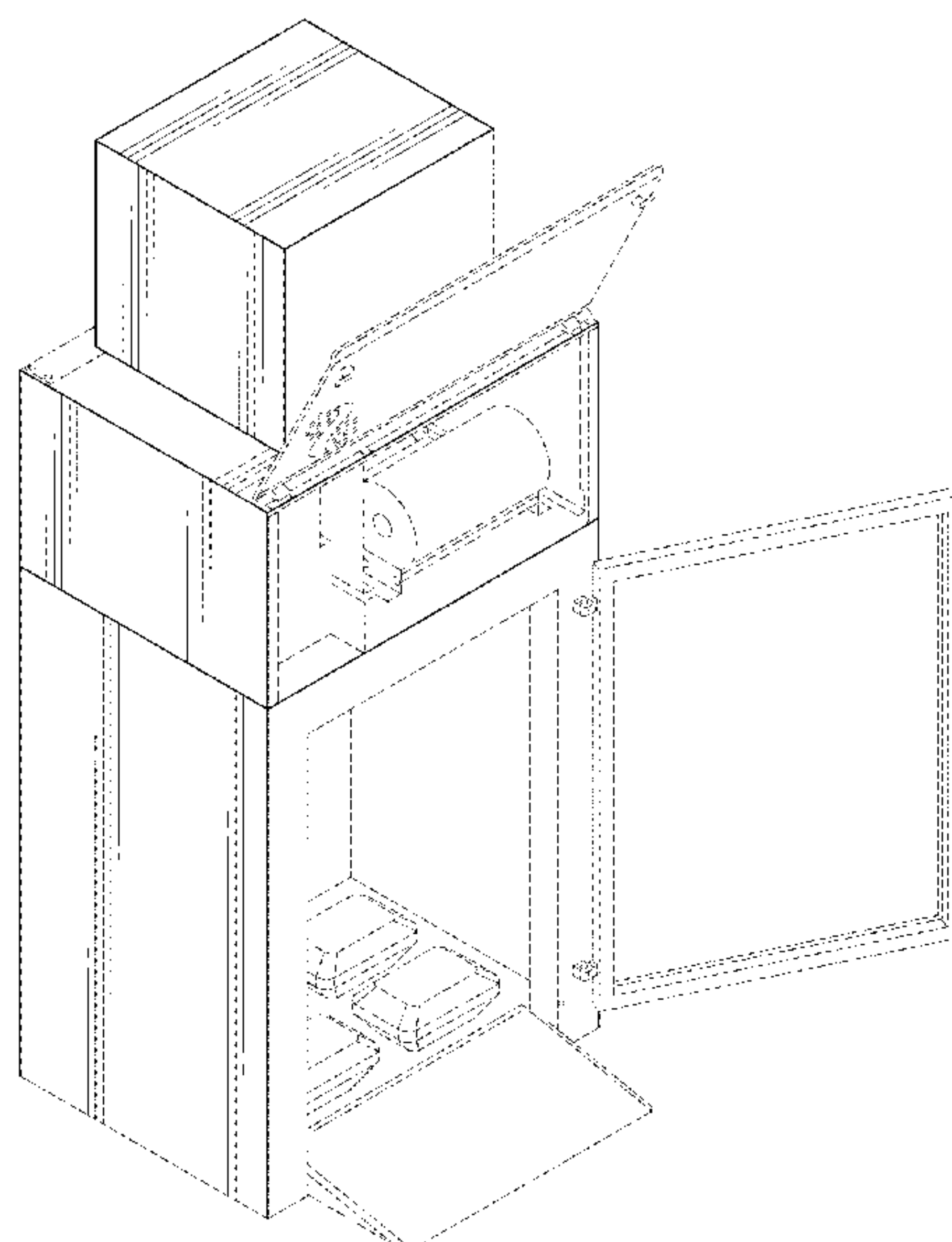
(56) **References Cited**

**1 Claim, 4 Drawing Sheets**

**U.S. PATENT DOCUMENTS**

2,116,300 A 5/1938 Campos  
2,272,530 A 2/1942 Patterson

(Continued)



**Related U.S. Application Data**

a continuation of application No. 18/177,555, filed on Mar. 2, 2023, now Pat. No. 11,808,511, which is a continuation of application No. 18/048,605, filed on Oct. 21, 2022, now Pat. No. 11,598,569, which is a continuation of application No. 17/729,547, filed on Apr. 26, 2022, now Pat. No. 11,585,585, which is a continuation of application No. 17/212,861, filed on Mar. 25, 2021, now Pat. No. 11,359,851, which is a continuation of application No. 16/890,164, filed on Jun. 2, 2020, now Pat. No. 10,962,269, which is a continuation of application No. 16/136,826, filed on Sep. 20, 2018, now Pat. No. 10,894,662, which is a division of application No. 14/760,180, filed as application No. PCT/DK2014/050002 on Jan. 6, 2014, now Pat. No. 10,093,482, which is a continuation of application No. 13/739,391, filed on Jan. 11, 2013, now Pat. No. 9,562,711.

- (52) **U.S. Cl.**  
 CPC ..... *F25C 5/20* (2018.01); *B65G 1/04* (2013.01); *B65G 57/03* (2013.01); *F25C 5/24* (2018.01); *F25D 25/00* (2013.01)

- (58) **Field of Classification Search**  
 CPC .... *F25D 23/069*; *F25D 25/025*; *F25D 11/02*; *F25D 17/062*; *F25D 21/12*; *F25D 21/125*; *F25D 21/14*

See application file for complete search history.

- (56) **References Cited**

U.S. PATENT DOCUMENTS

2,322,175 A	6/1943	Talbot et al.
2,334,256 A	11/1943	Eaton
D159,914 S *	8/1950	Mackenzie ..... D15/80
2,582,381 A	1/1952	Higginbottom
2,584,726 A	2/1952	McOmber
2,649,235 A	8/1953	Edmonds
2,669,377 A	2/1954	Poolen et al.
2,777,264 A	1/1957	Schenk
2,986,897 A	6/1961	Howard
3,119,518 A	1/1964	Eschenburg et al.
3,151,668 A	10/1964	Zimmerman
3,211,338 A	10/1965	Weil et al.
3,277,666 A	10/1966	Simmons
3,323,280 A	6/1967	Rausch
3,380,222 A	4/1968	Bergmann et al.
3,416,620 A	12/1968	McClusky
3,488,910 A	1/1970	Stoger et al.
3,498,020 A	3/1970	Eppenberger
3,501,887 A	3/1970	Umholtz et al.
3,559,424 A	2/1971	Nelson
3,608,657 A	9/1971	Johnson et al.
3,608,786 A	9/1971	Shelley et al.
3,610,482 A	10/1971	Van Steenburgh, Jr.
3,618,733 A	11/1971	Winsett
3,626,662 A	12/1971	Graveley
3,643,798 A	2/1972	Krupotich
3,654,771 A	4/1972	Kuebler
3,688,471 A	9/1972	Clark et al.
3,698,451 A	10/1972	Hudson
3,712,019 A	1/1973	Lamka et al.
3,715,119 A	2/1973	Shelley et al.
3,719,307 A	3/1973	Larson
3,788,566 A	1/1974	Morris, Jr.
3,789,570 A	2/1974	Mullins, Jr.
3,789,574 A	2/1974	Weikert
3,807,193 A	4/1974	McKenney et al.
3,822,866 A	7/1974	Daester
3,830,266 A	8/1974	Hudson
3,897,676 A	8/1975	Membrino

3,903,674 A	9/1975	Brush et al.
3,913,343 A	10/1975	Rowland et al.
3,918,266 A	11/1975	Gindy et al.
3,969,909 A	7/1976	Barto et al.
3,974,625 A	8/1976	Simmons
3,977,851 A	8/1976	Toya
3,982,377 A	9/1976	Vanderpool
4,013,199 A	3/1977	Brown
4,027,459 A	6/1977	Nieskens et al.
4,056,215 A	11/1977	Zwahlen
4,074,507 A	2/1978	Ruf et al.
4,088,243 A	5/1978	Deveson
4,129,015 A	12/1978	Morris, Jr.
4,132,049 A	1/1979	Mullins, Jr.
4,136,803 A	1/1979	Tobias et al.
4,137,689 A	2/1979	McClusky et al.
4,139,029 A	2/1979	Geraci
4,139,126 A	2/1979	Krasner et al.
4,158,426 A	6/1979	Frohbieter
4,189,063 A	2/1980	Matthiesen
4,252,002 A	2/1981	Mullins, Jr.
4,276,751 A	7/1981	Saltzman et al.
4,320,615 A	3/1982	Gmur
4,348,872 A	9/1982	Hill
4,350,004 A	9/1982	Tsujimoto et al.
4,368,608 A	1/1983	Ray
4,404,817 A	9/1983	Cox, III
4,409,763 A	10/1983	Rydeen
4,420,197 A	12/1983	Dreiling
4,461,520 A	7/1984	Alneng
4,467,622 A	8/1984	Takahashi et al.
4,478,386 A	10/1984	Mikkelsen
4,487,093 A	12/1984	Peroutky
4,522,292 A	6/1985	Euverard et al.
4,527,401 A	7/1985	Nelson
4,534,155 A	8/1985	Sawa et al.
4,587,810 A	5/1986	Fletcher
4,598,529 A	7/1986	Pongrass et al.
4,612,779 A	9/1986	Hatton
4,673,103 A	6/1987	Anderson et al.
4,689,937 A	9/1987	Finan, Sr. et al.
4,715,167 A	12/1987	Savigny
4,732,301 A	3/1988	Tobias et al.
4,765,488 A	8/1988	Moriarity
4,781,281 A	11/1988	Canziani
4,803,847 A	2/1989	Koeneman et al.
4,850,202 A	7/1989	Kilo et al.
4,878,523 A	11/1989	Balsamico et al.
4,903,494 A	2/1990	Wigley
4,909,696 A	3/1990	Wigley
4,930,685 A	6/1990	Landers
4,942,979 A	7/1990	Linstromberg et al.
4,942,983 A	7/1990	Bradbury
4,979,353 A	12/1990	Seppala
4,981,237 A	1/1991	Landers
4,995,219 A	2/1991	Hicks
5,005,341 A	4/1991	Tetenborg
5,009,060 A	4/1991	Furukawa
5,027,610 A	7/1991	Hara et al.
5,056,299 A	10/1991	Furukawa et al.
5,070,798 A	12/1991	Jurgens
5,079,897 A	1/1992	Muller
5,088,300 A	2/1992	Wessa
5,108,590 A	4/1992	Disanto
5,109,651 A	5/1992	Stuart
5,112,477 A	5/1992	Hamlin
5,211,030 A	5/1993	Jameson
5,277,016 A	1/1994	Williams et al.
RE34,533 E	2/1994	Wigley
5,440,863 A	8/1995	Toya et al.
5,458,851 A	10/1995	Schroeder et al.
5,473,865 A	12/1995	Tanaka et al.
5,527,012 A	6/1996	Vinkel et al.
5,581,982 A	12/1996	Schroeder et al.
5,630,310 A	5/1997	Chadwell et al.
5,660,506 A	8/1997	Berge et al.
5,722,215 A	3/1998	Yuyama et al.
5,791,123 A	8/1998	Bolz
5,813,196 A	9/1998	Page et al.



(56)

References Cited

U.S. PATENT DOCUMENTS

5,822,955 A 10/1998 Woosley et al.  
 5,832,700 A 11/1998 Kammler et al.  
 D407,092 S 3/1999 Weaver  
 6,112,539 A 9/2000 Colberg  
 D440,255 S 4/2001 Dickson  
 D442,973 S \* 5/2001 Strandell ..... D15/80  
 6,237,308 B1 5/2001 Quintin et al.  
 6,266,945 B1 7/2001 Schroeder  
 6,282,869 B1 9/2001 Bullock et al.  
 6,305,177 B1 10/2001 Edwards et al.  
 D460,489 S 7/2002 Dickson  
 D463,464 S \* 9/2002 Strandell ..... D15/80  
 6,474,048 B1 11/2002 Metzger et al.  
 6,725,625 B1 4/2004 Honma et al.  
 6,862,866 B2 3/2005 Jacobsen et al.  
 6,904,765 B2 6/2005 Lee et al.  
 6,904,946 B2 6/2005 James  
 6,932,124 B2 8/2005 Dalton et al.  
 7,062,892 B2 6/2006 Metzger  
 7,104,291 B2 9/2006 Dalton et al.  
 7,207,156 B2 4/2007 Metzger  
 D557,716 S \* 12/2007 Okuda ..... D15/80  
 7,331,163 B2 2/2008 Hau et al.  
 7,421,834 B1 9/2008 Doolan  
 7,426,812 B2 9/2008 Metzger  
 7,426,945 B2 9/2008 Dalton et al.  
 7,497,062 B2 3/2009 Metzger  
 D597,107 S \* 7/2009 Ohtake ..... D15/80  
 7,624,773 B2 12/2009 Maxwell  
 7,669,434 B2 3/2010 Leclear et al.  
 7,681,408 B2 3/2010 Hobson et al.  
 7,735,527 B2 6/2010 Dunn  
 7,757,513 B2 7/2010 Paine  
 7,806,152 B2 10/2010 Dalton et al.  
 7,810,301 B2 10/2010 Metzger  
 7,849,660 B2 12/2010 Metzger  
 7,900,471 B2 3/2011 Leske  
 7,900,660 B2 3/2011 Ladson  
 7,958,918 B2 6/2011 Ladson  
 7,992,364 B2 8/2011 Thurgood et al.  
 8,122,689 B2 2/2012 Pape  
 8,132,392 B2 3/2012 Metzger  
 8,162,210 B2 4/2012 McInerney et al.  
 8,245,488 B2 8/2012 Dunn  
 8,256,195 B2 9/2012 Pape  
 8,299,656 B2 10/2012 Allard et al.  
 8,336,975 B2 12/2012 Allard et al.  
 8,353,146 B1 1/2013 Bareford et al.  
 8,356,850 B1 1/2013 Starkweather et al.  
 8,381,534 B2 2/2013 Metzger  
 8,438,870 B2 5/2013 Leclear et al.  
 8,468,784 B2 6/2013 Metzger  
 8,484,935 B2 7/2013 LeBlanc et al.  
 8,528,302 B1 9/2013 Shaker et al.  
 8,534,034 B1 9/2013 Pape  
 D692,032 S \* 10/2013 LaFond ..... D15/80  
 8,561,655 B2 10/2013 Dalton et al.  
 8,650,844 B2 2/2014 Romanyszyn et al.  
 8,689,523 B1 4/2014 Shaker et al.  
 8,739,557 B2 6/2014 Metzger  
 8,763,352 B2 7/2014 Metzger  
 8,800,305 B2 8/2014 Pape et al.  
 8,850,779 B2 10/2014 Pandurangan et al.  
 8,863,985 B2 10/2014 Berge et al.  
 8,935,906 B2 1/2015 Pape  
 9,643,742 B2 5/2017 Metzger  
 D894,975 S \* 9/2020 Hoffman ..... D15/80  
 11,598,569 B1 3/2023 Pape  
 D985,629 S \* 5/2023 Springer ..... D15/80  
 D991,987 S \* 7/2023 Otake ..... D15/80  
 2003/0000180 A1 1/2003 Singer  
 2004/0084106 A1 5/2004 James  
 2004/0216481 A1 11/2004 James et al.  
 2005/0115210 A1 6/2005 Noumi  
 2005/0121099 A1 6/2005 Hansen et al.

2006/0021300 A1 2/2006 Tada et al.  
 2006/0090427 A1 5/2006 Hau et al.  
 2007/0175235 A1 8/2007 Metzger  
 2008/0047233 A1 2/2008 Metzger  
 2008/0110129 A1 5/2008 LeBlanc et al.  
 2008/0283145 A1 11/2008 Maxwell  
 2008/0295462 A1 12/2008 Metzger  
 2009/0057100 A1 3/2009 Syndikus  
 2010/0011710 A1 1/2010 Pape  
 2010/0024363 A1 2/2010 Pape  
 2010/0101917 A1 4/2010 Baum et al.  
 2010/0170201 A1 7/2010 Aquarius  
 2010/0263335 A1 10/2010 Pape  
 2010/0268375 A1 10/2010 Pape  
 2010/0313524 A1 12/2010 Pape et al.  
 2011/0089201 A1 4/2011 Pape  
 2012/0070264 A1 3/2012 Pape  
 2012/0186202 A1 7/2012 Pandurangan et al.  
 2012/0247066 A1 10/2012 Dunn et al.  
 2013/0092703 A1 4/2013 Venet, III et al.  
 2013/0133296 A1 5/2013 Metzger  
 2013/0255194 A1 10/2013 Metzger  
 2014/0033740 A1 2/2014 Pape  
 2014/0102582 A1 4/2014 Venet, III et al.  
 2014/0102583 A1 4/2014 Venet, III et al.  
 2014/0137513 A1 5/2014 Shaker et al.  
 2014/0199151 A1 7/2014 Pape  
 2014/0208777 A1 7/2014 Metzger

FOREIGN PATENT DOCUMENTS

EP 1123884 A1 8/2001  
 EP 1696192 A1 8/2006  
 FR 2650559 A1 2/1991  
 GB 943675 A 12/1963  
 GB 1459629 A 12/1976  
 GB 2011633 A 7/1979  
 JP H0133455 Y2 10/1989  
 JP H0241067 U 3/1990  
 JP H05132007 A 5/1993  
 WO WO0001582 A1 1/2000  
 WO WO2004035365 A2 4/2004  
 WO WO2008089762 A1 7/2008

OTHER PUBLICATIONS

Chinese Office Action and Search Report issued on Jan. 20, 2014 for related CN Patent Application No. 201180044860.X; 10 pages.  
 Written Opinion issued from the International Searching Authority for PCT/DK2008/000027, mailed Apr. 4, 2008; 6 pages.  
 Office Action issued on Jun. 4, 2015 for related U.S. Appl. No. 13/739,391; 11 pages.  
 Office Action issued on Feb. 23, 2016 for related U.S. Appl. No. 13/739,391; 14 pages.  
 Office Action issued on Jun. 15, 2016 for related U.S. Appl. No. 13/739,391; 12 pages.  
 Notice of Allowance issued on Sep. 27, 2016 for related U.S. Appl. No. 13/739,391; 8 pages.  
 Notice of Allowance issued on Feb. 6, 2018 in related U.S. Application No. 14/760,180, 7 pages.  
 Notice of Allowance issued on Jun. 13, 2018 in related U.S. Appl. No. 14/760,180, 8 pages.  
 Office Action issued on Apr. 9, 2020 in related U.S. Appl. No. 16/136,826, 10 pages.  
 Corrected Notice of Allowance issued on Nov. 18, 2020 in related U.S. Appl. No. 16/136,826, 6 pages.  
 Notice of Allowance issued on Dec. 1, 2020 in related U.S. Appl. No. 16/890,164, 7 pages.  
 Notice of Allowance issued on Feb. 8, 2022 in related U.S. Appl. No. 17/212,861, 7 pages.  
 Notice of Allowance issued on Jan. 11, 2023 in related U.S. Appl. No. 17/729,547, 7 pages.  
 Notice of Allowance issued on Jan. 25, 2023 in related U.S. Appl. No. 18/048,605, 7 pages.

(56)

**References Cited**

OTHER PUBLICATIONS

Notice of Allowance issued on Sep. 7, 2023 in related U.S. Appl.  
No. 18/177,555, 7 pages.

Notice of Allowance issued on Nov. 13, 2023 in related U.S. Appl.  
No. 29/913,934, 5 pages.

\* cited by examiner

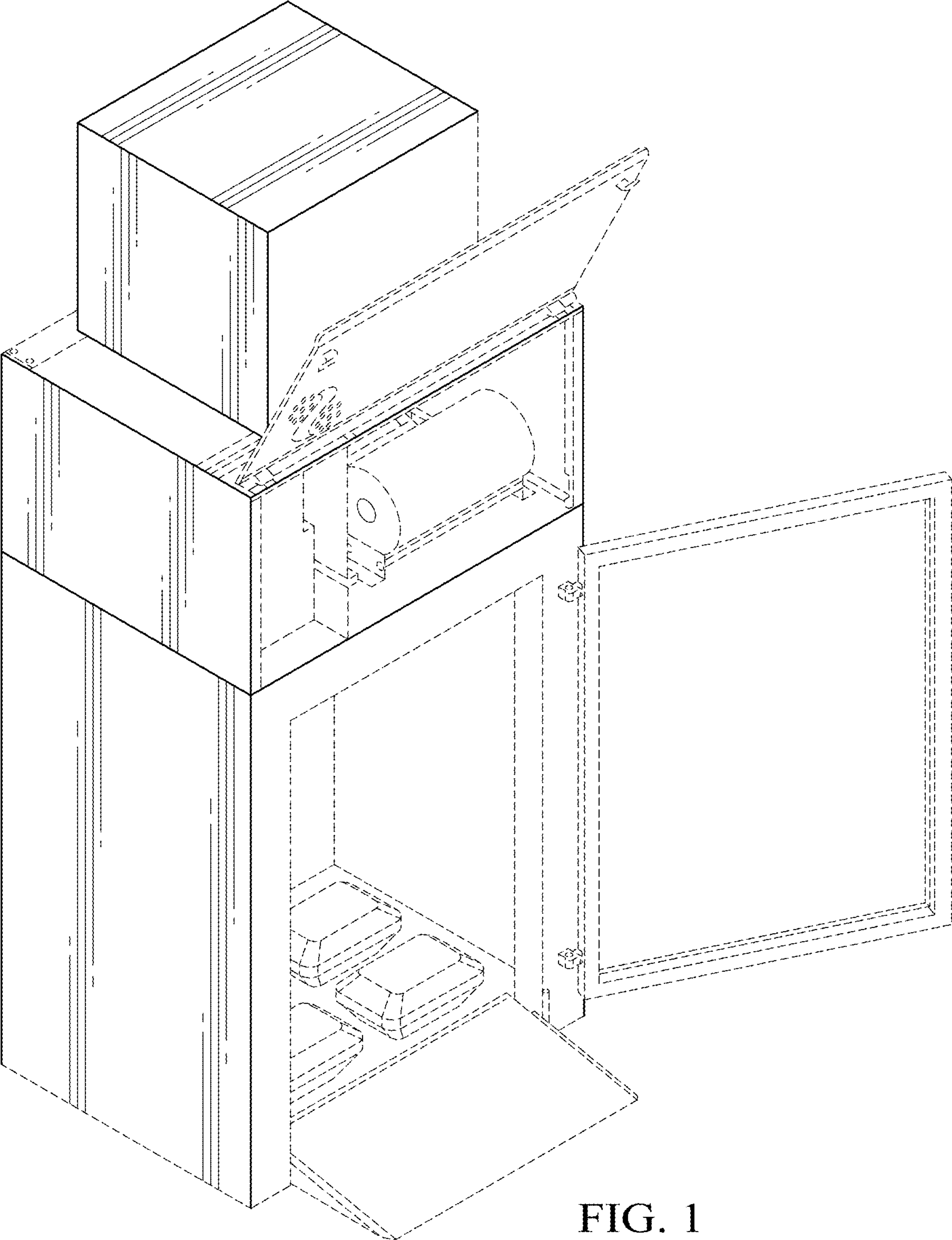


FIG. 1



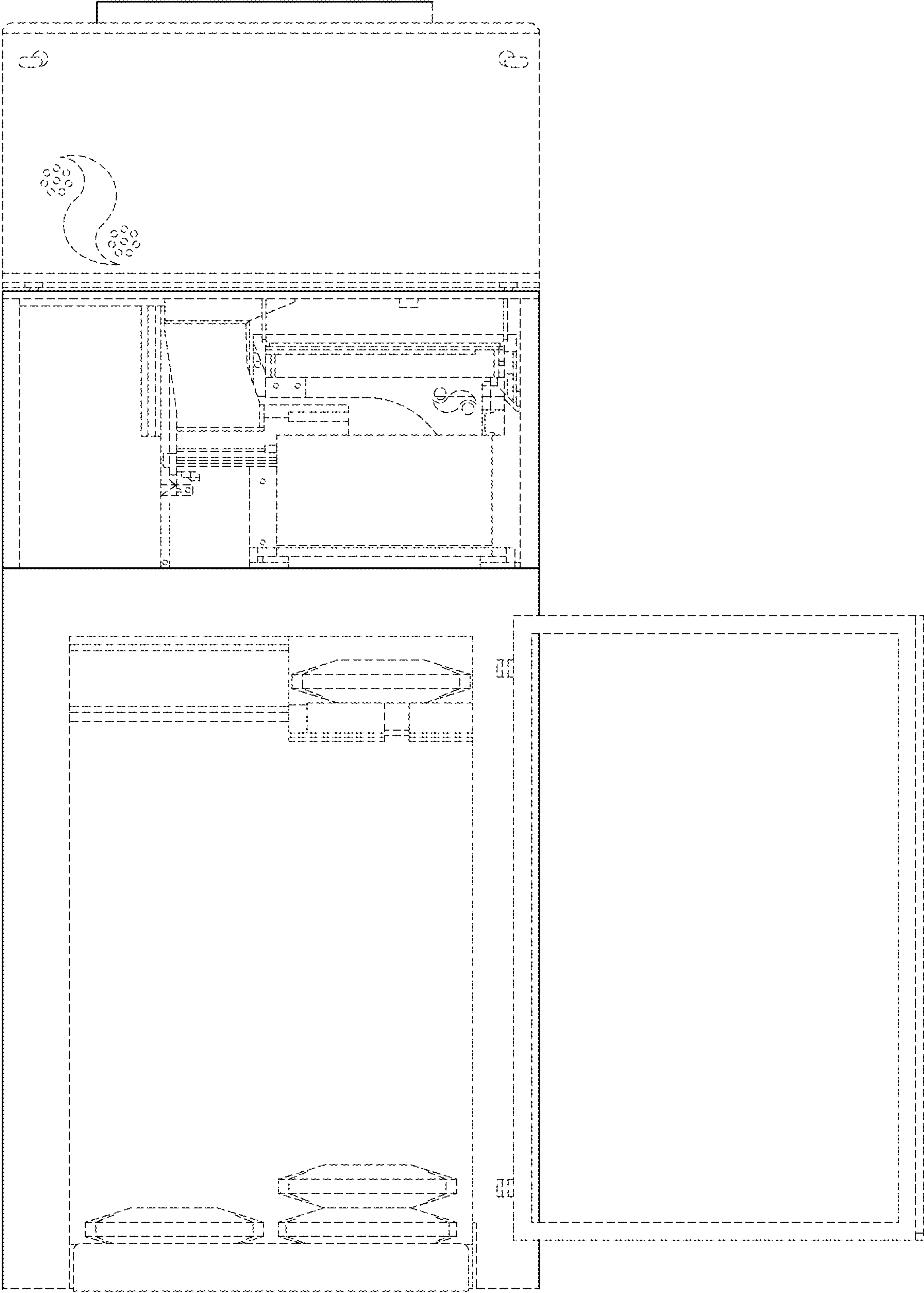


FIG. 2

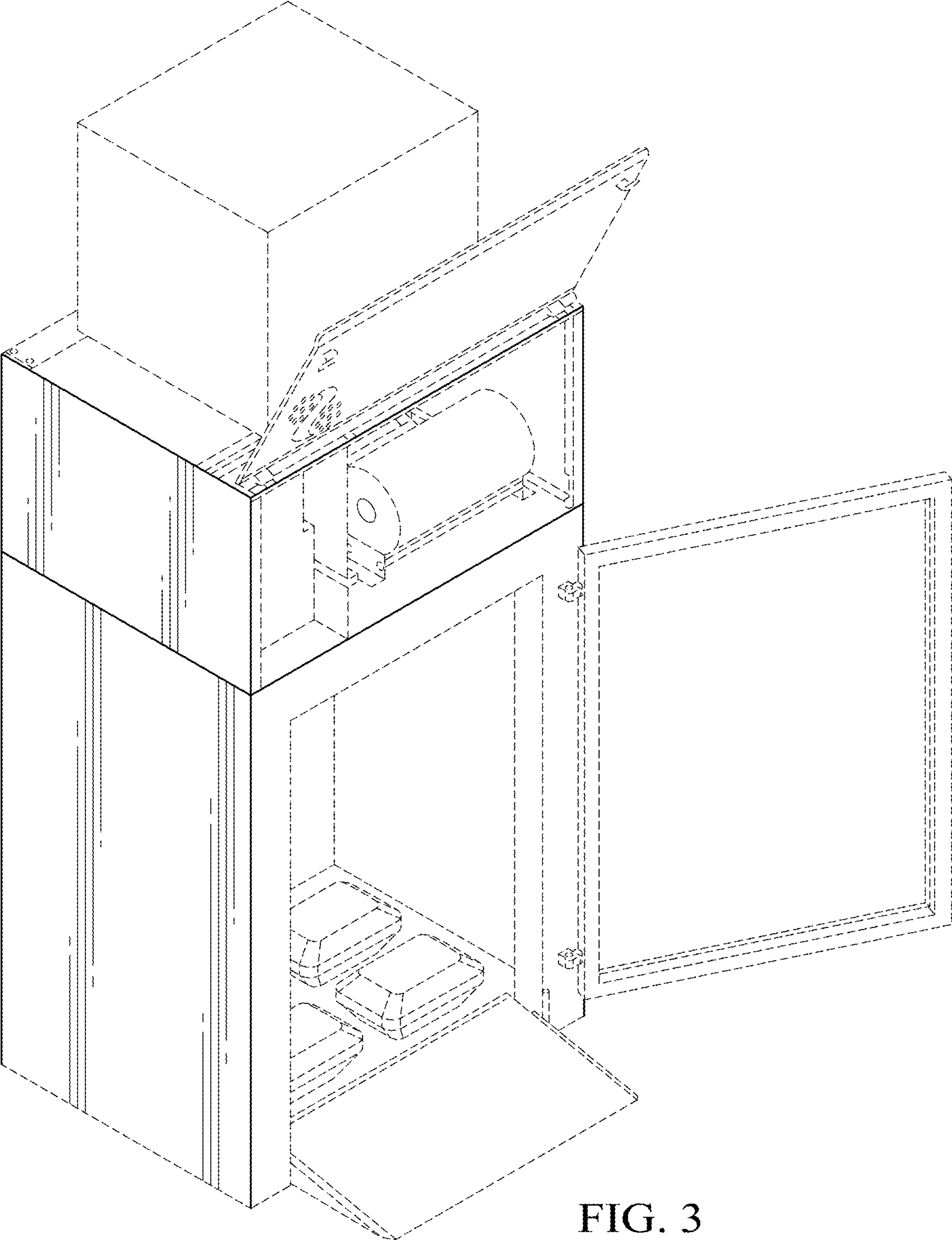


FIG. 3

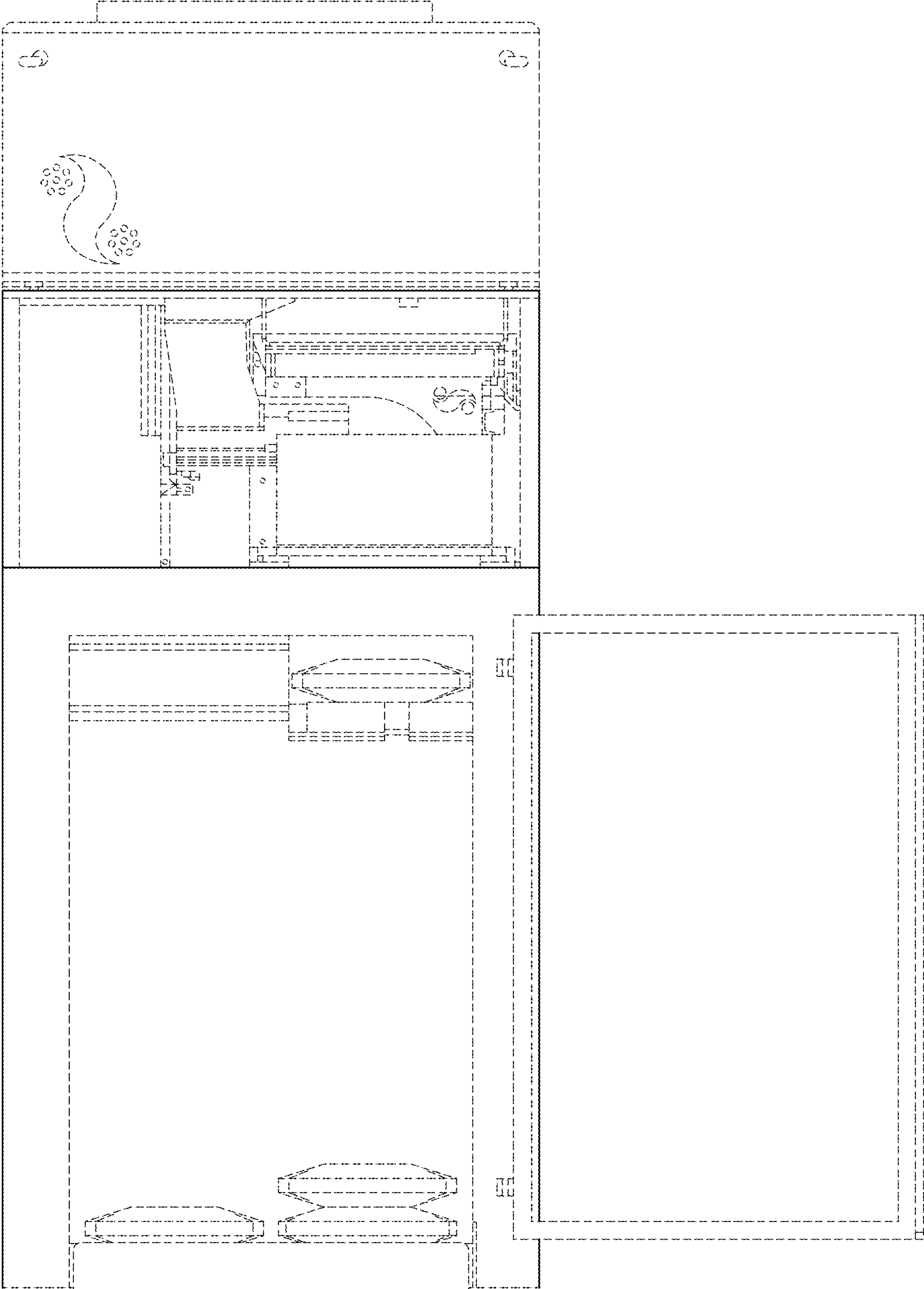


FIG. 4