



US0D1034559S

(12) **United States Design Patent** (10) **Patent No.:** **US D1,034,559 S**  
**Ramasamy et al.** (45) **Date of Patent:** **\*\* \*Jul. 9, 2024**

(54) **WIRELESS EXTENDER HOUSING**

D860,176 S \* 9/2019 Siminoff ..... D14/240  
D901,471 S \* 11/2020 Siminoff ..... D14/240  
D954,692 S \* 6/2022 Moon ..... D14/240

(71) Applicant: **Lennox Industries Inc.**, Richardson, TX (US)

(Continued)

(72) Inventors: **Surendran Ramasamy**, Chennai (IN);  
**Arun Kunasekaran**, Chennai (IN);  
**Stephen J. Vendt**, Carrollton, TX (US);  
**Raviganesh Thirumalaisamy**, Chennai (IN);  
**Melissa del Carmen Amoros Sol**, Richardson, TX (US)

FOREIGN PATENT DOCUMENTS

CN 307279372 \* 4/2022

(73) Assignee: **Lennox Industries Inc.**, Richardson, TX (US)

OTHER PUBLICATIONS

Lennox Smart Room Sensor, Date First Available: Oct. 5, 2023, [online], [retrieved on Jan. 25, 2024]. Retrieved from Internet, <URL: [https://www.amazon.com/Lennox-Sensor-22V25-Wireless-Thermostat/dp/B0CKGXXRJK/ref=sr\\_1\\_31?crid=2UQ4GKT2997QZ&keywords=Lennox+industries+sensor+for+wall+mounting&qid=1706207192&sprefix=lennox+industries+sensor+for+wall+mounting%2Caps%2C106&sr=8-31](https://www.amazon.com/Lennox-Sensor-22V25-Wireless-Thermostat/dp/B0CKGXXRJK/ref=sr_1_31?crid=2UQ4GKT2997QZ&keywords=Lennox+industries+sensor+for+wall+mounting&qid=1706207192&sprefix=lennox+industries+sensor+for+wall+mounting%2Caps%2C106&sr=8-31)>.\*

(\* ) Notice: This patent is subject to a terminal disclaimer.

(Continued)

(\*\*) Term: **15 Years**

Primary Examiner — Bridget L Eland

(21) Appl. No.: **29/844,965**

(74) Attorney, Agent, or Firm — Johnston IP Law, PLLC

(22) Filed: **Jul. 1, 2022**

(51) **LOC (14) Cl.** ..... **14-03**

(52) **U.S. Cl.**  
USPC ..... **D14/240**

(57) **CLAIM**

The ornamental design for a wireless extender housing, as shown and described.

(58) **Field of Classification Search**  
USPC .... D14/240, 242, 357, 358, 140-140.9, 155, D14/125, 137, 139, 243, 348, 349, 351, D14/354, 355; D10/50, 70  
CPC ..... H04L 12/00; H03K 17/00; H04W 88/00; H04W 88/005; H04W 88/02; H04W 88/08; H04W 88/085; H04W 88/10; H04W 88/12; H04W 88/14; H04B 1/38  
See application file for complete search history.

**DESCRIPTION**

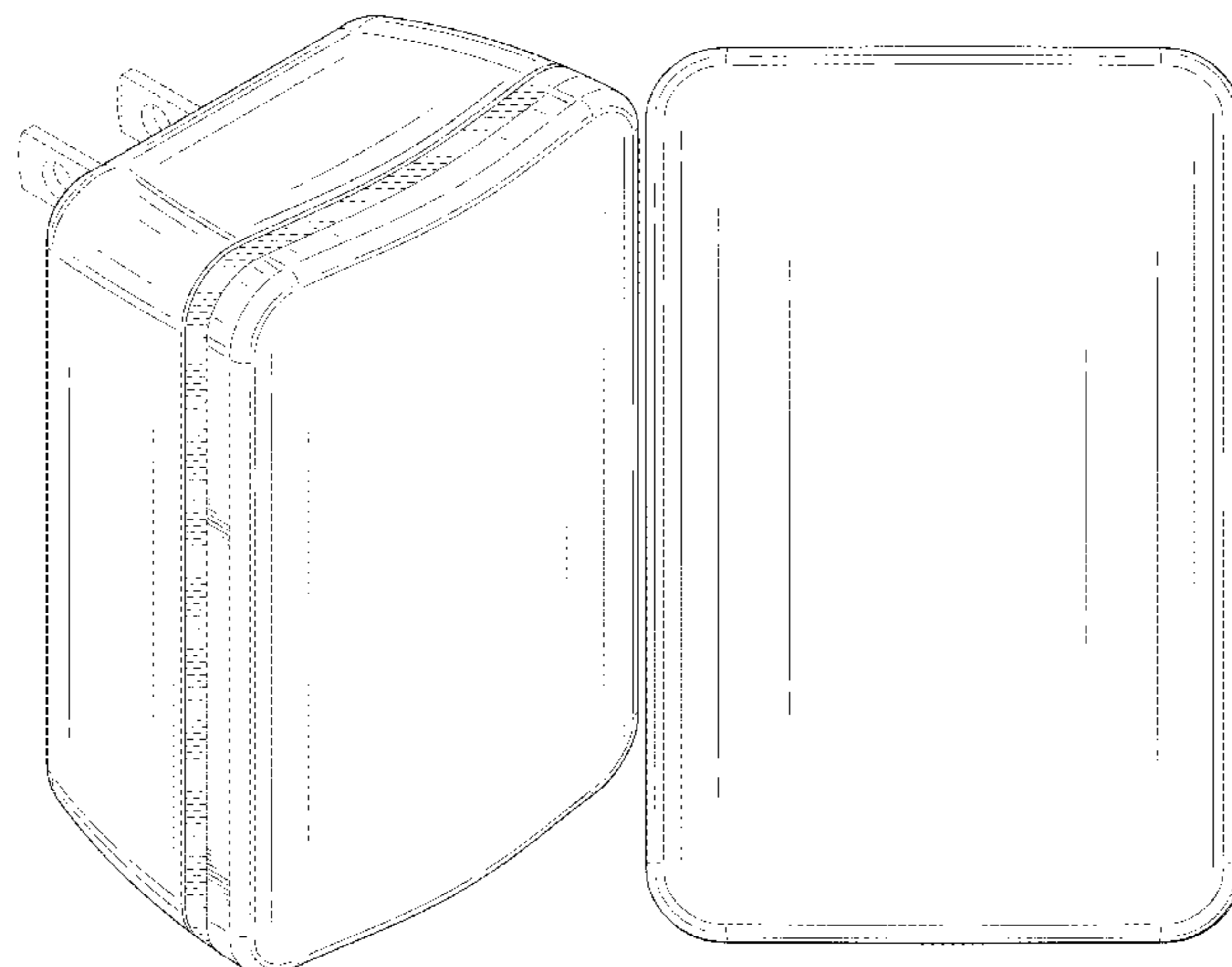
FIG. 1 is a front perspective view of a wireless extender housing showing our new design; FIG. 2 is a front elevation view thereof; FIG. 3 is a rear elevation view thereof; FIG. 4 is a right side view thereof; FIG. 5 is a left side view thereof; FIG. 6 is a top view thereof; FIG. 7 is a bottom view thereof; FIG. 8 is a rear right perspective view thereof; and, FIG. 9 is a front, left, bottom perspective view thereof. The broken lines in the figures show portions of the wireless extender housing that form no part of the claimed design. The drawings are lined for the color silver, in accordance with the symbol standards of MPEP §608.02.

(56) **References Cited**

U.S. PATENT DOCUMENTS

D363,722 S \* 10/1995 Aldridge ..... D14/242  
D651,532 S \* 1/2012 Li ..... D10/70  
D660,839 S \* 5/2012 Govindasamy ..... D14/358  
D784,969 S \* 4/2017 MacManus ..... D14/240  
D848,293 S \* 5/2019 Laurans ..... D10/70

**1 Claim, 9 Drawing Sheets**



(56)

**References Cited**

U.S. PATENT DOCUMENTS

D1,009,653 S \* 1/2024 Ramasamy ..... D10/50  
D1,009,654 S \* 1/2024 Ramasamy ..... D10/50

OTHER PUBLICATIONS

Lennox Wireless Extender, Date First Available: Oct. 7, 2023, [online], [retrieved on Jan. 25, 2024]. Retrieved from Internet , <URL: [https://www.amazon.com/Wireless-Extender-22V26-Connectivity-Manufacturer/dp/B0CKMJ2F9T/ref=sr\\_1\\_5?crid=SOYM91S4XJ8S&keywords=Lennox+wireless+extender&qid=1706207021&srefix=lennox+wireless+extender%2Caps%2C117&sr=8-5](https://www.amazon.com/Wireless-Extender-22V26-Connectivity-Manufacturer/dp/B0CKMJ2F9T/ref=sr_1_5?crid=SOYM91S4XJ8S&keywords=Lennox+wireless+extender&qid=1706207021&srefix=lennox+wireless+extender%2Caps%2C117&sr=8-5)>.\*

\* cited by examiner

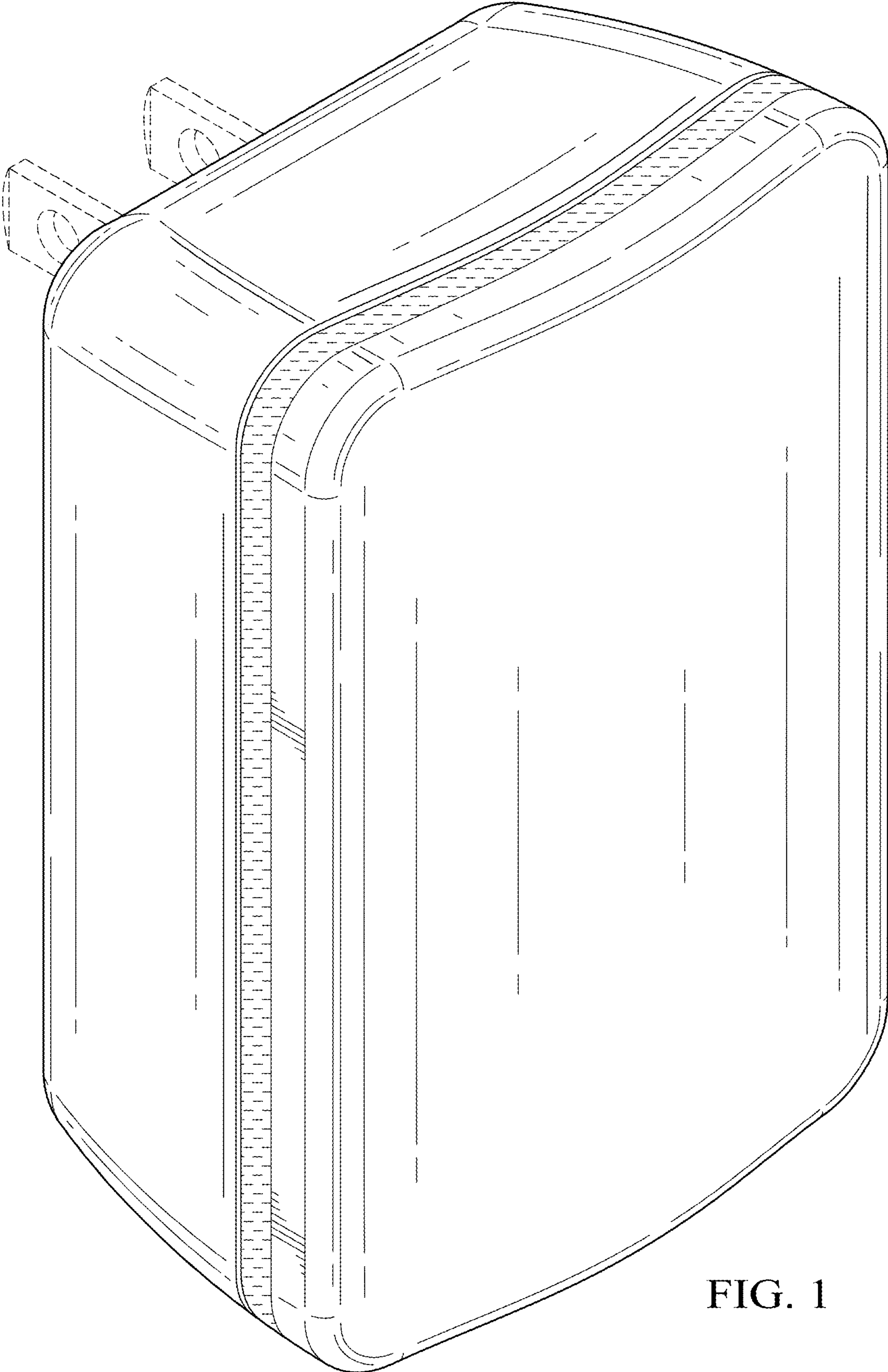


FIG. 1

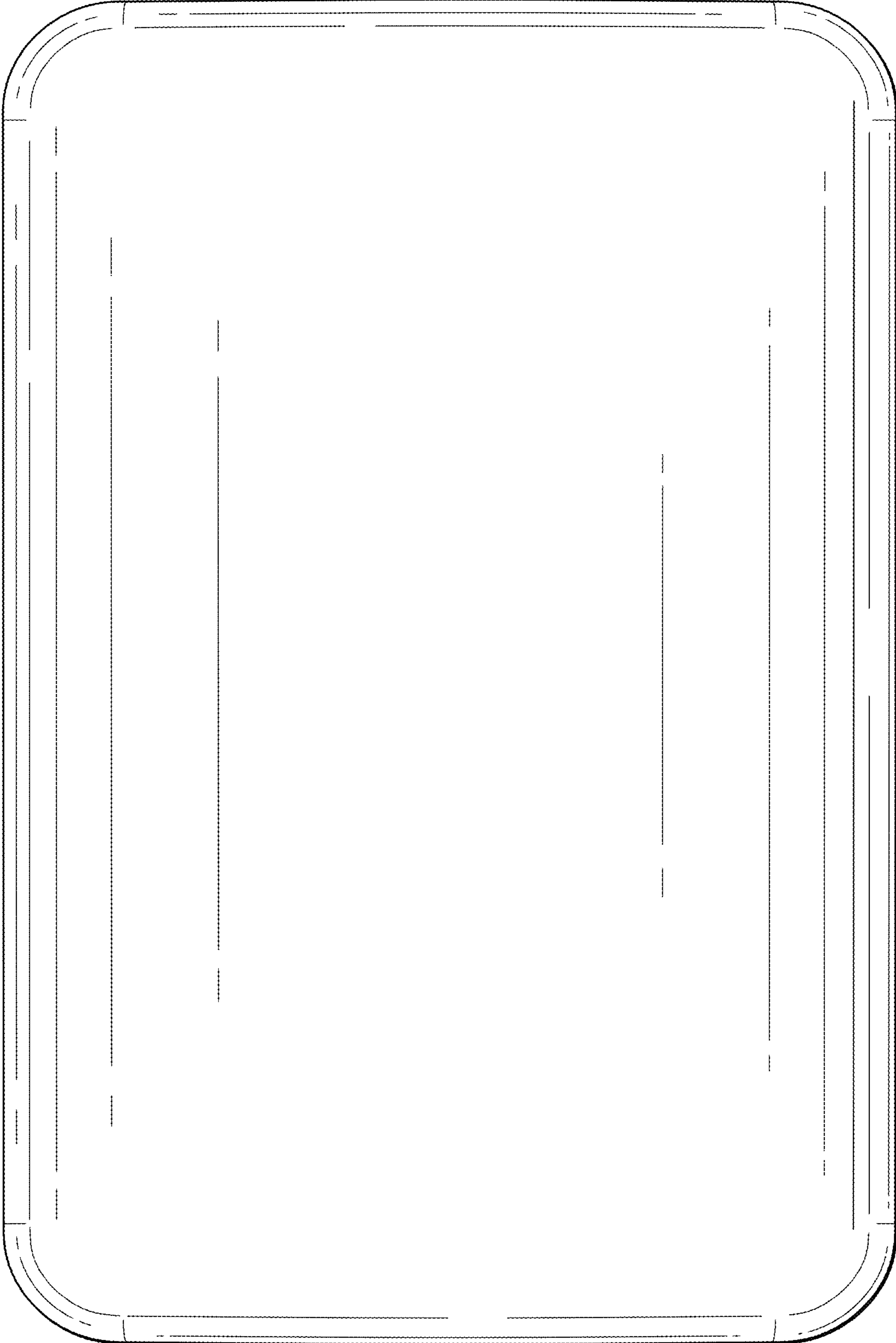


FIG. 2



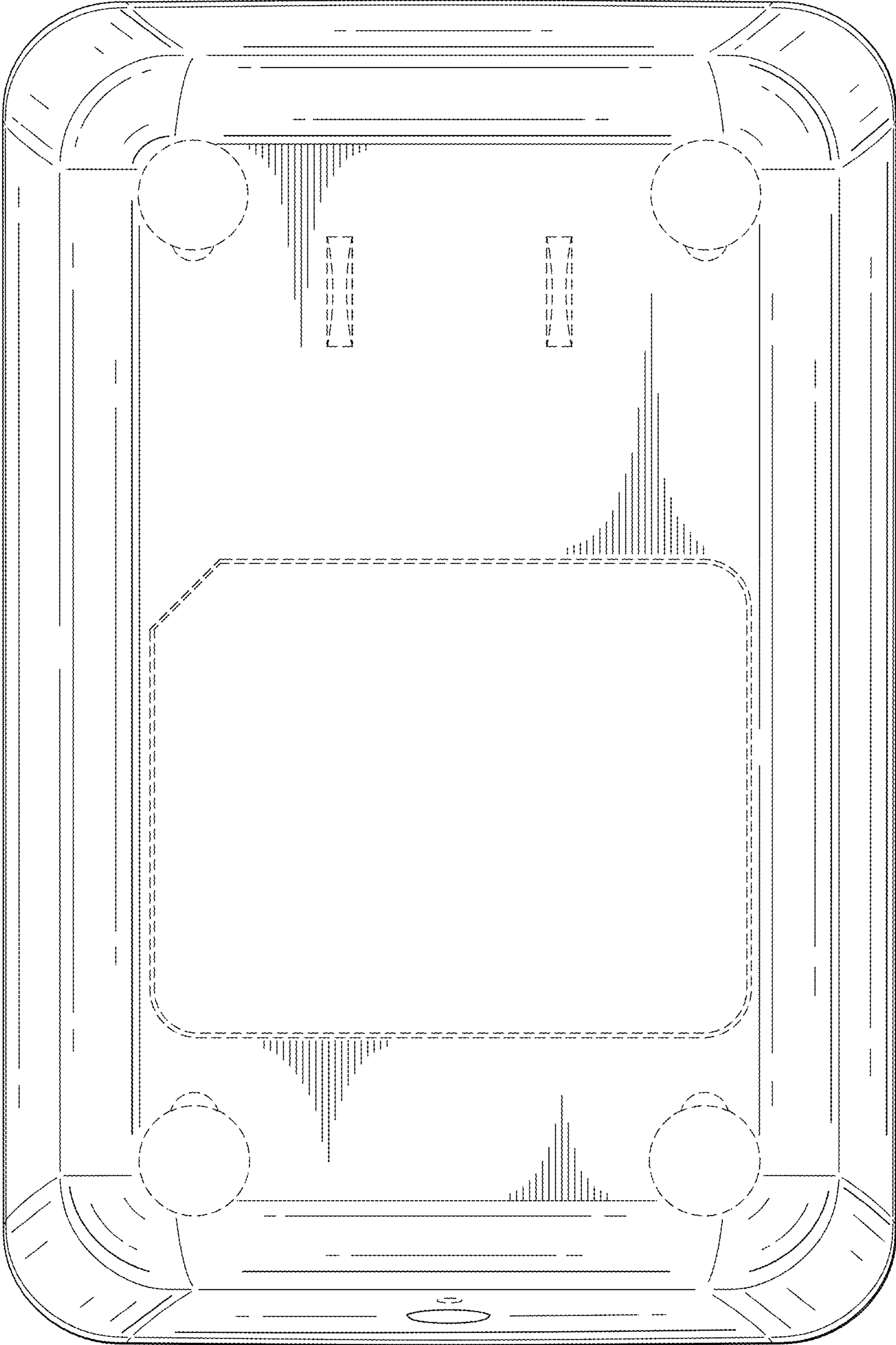


FIG. 3

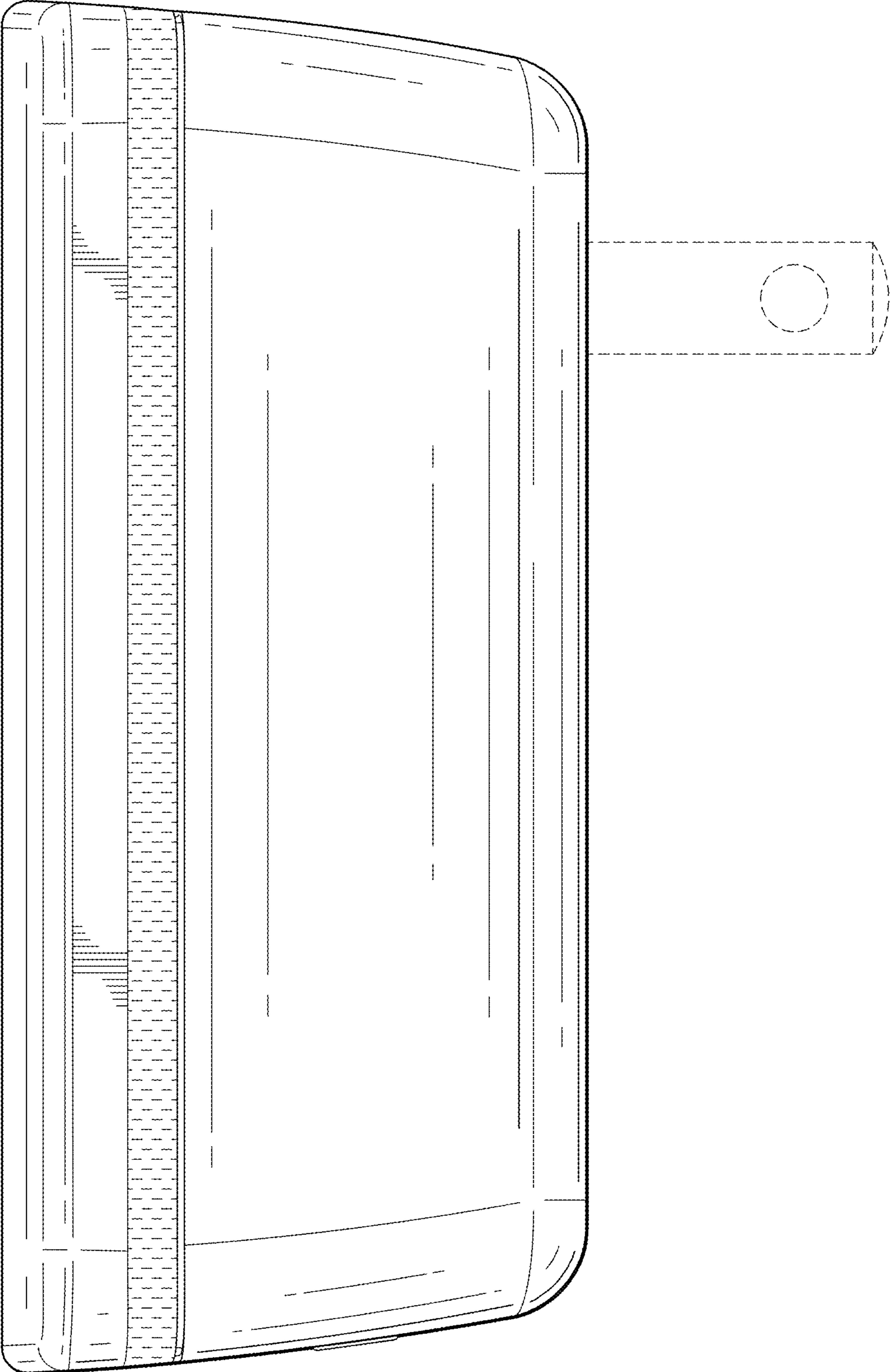


FIG. 4

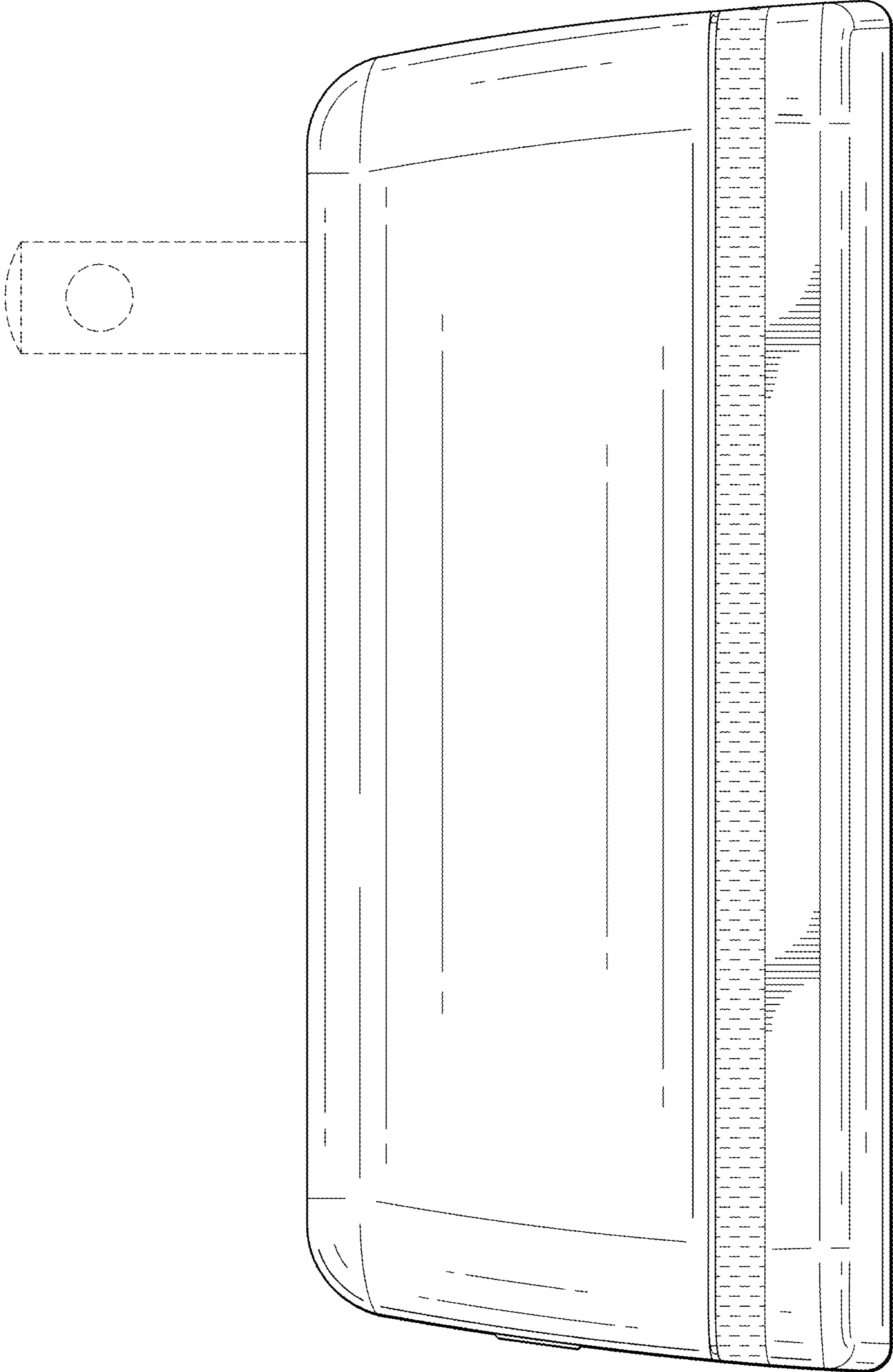


FIG. 5

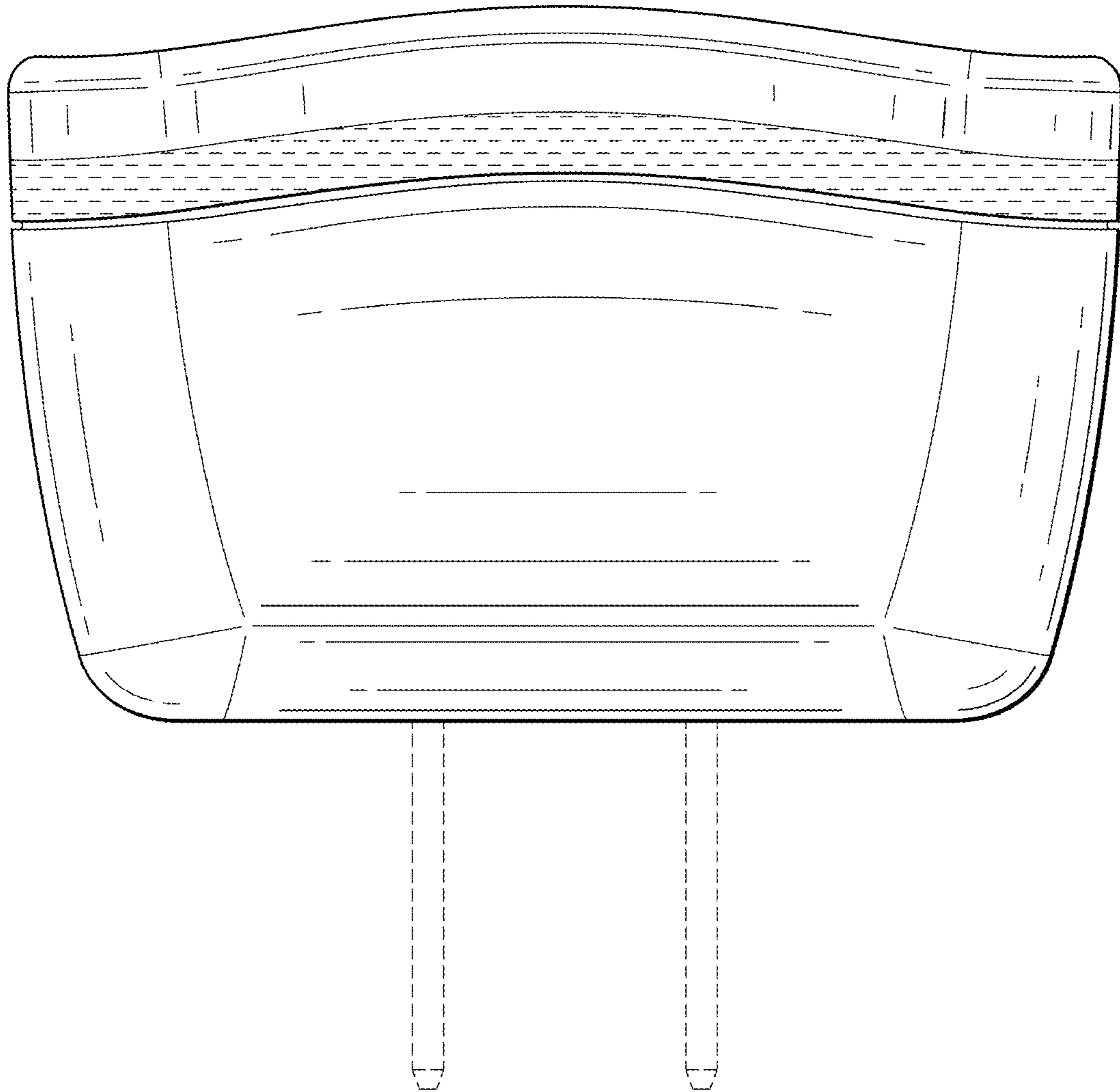


FIG. 6



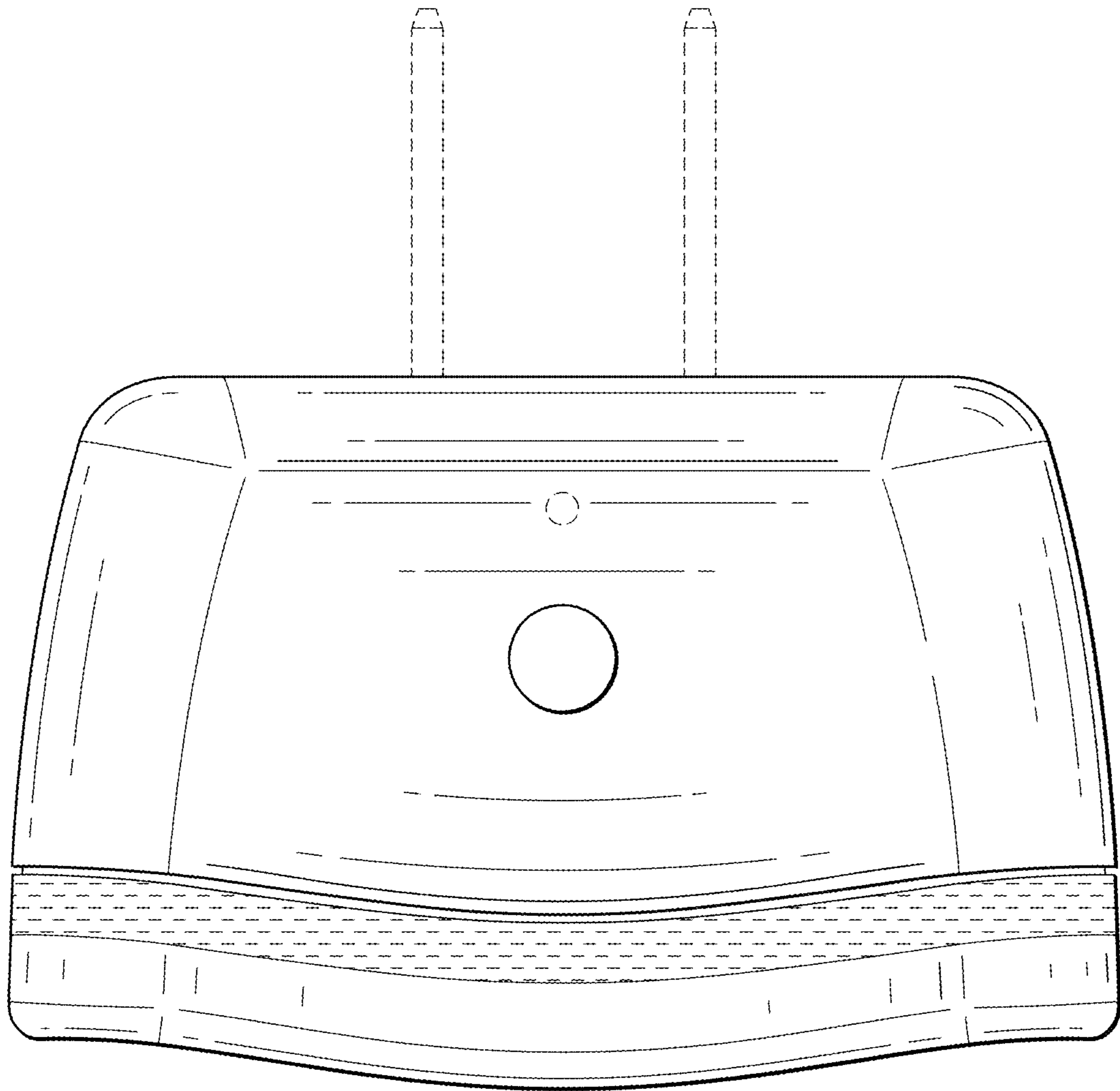


FIG. 7

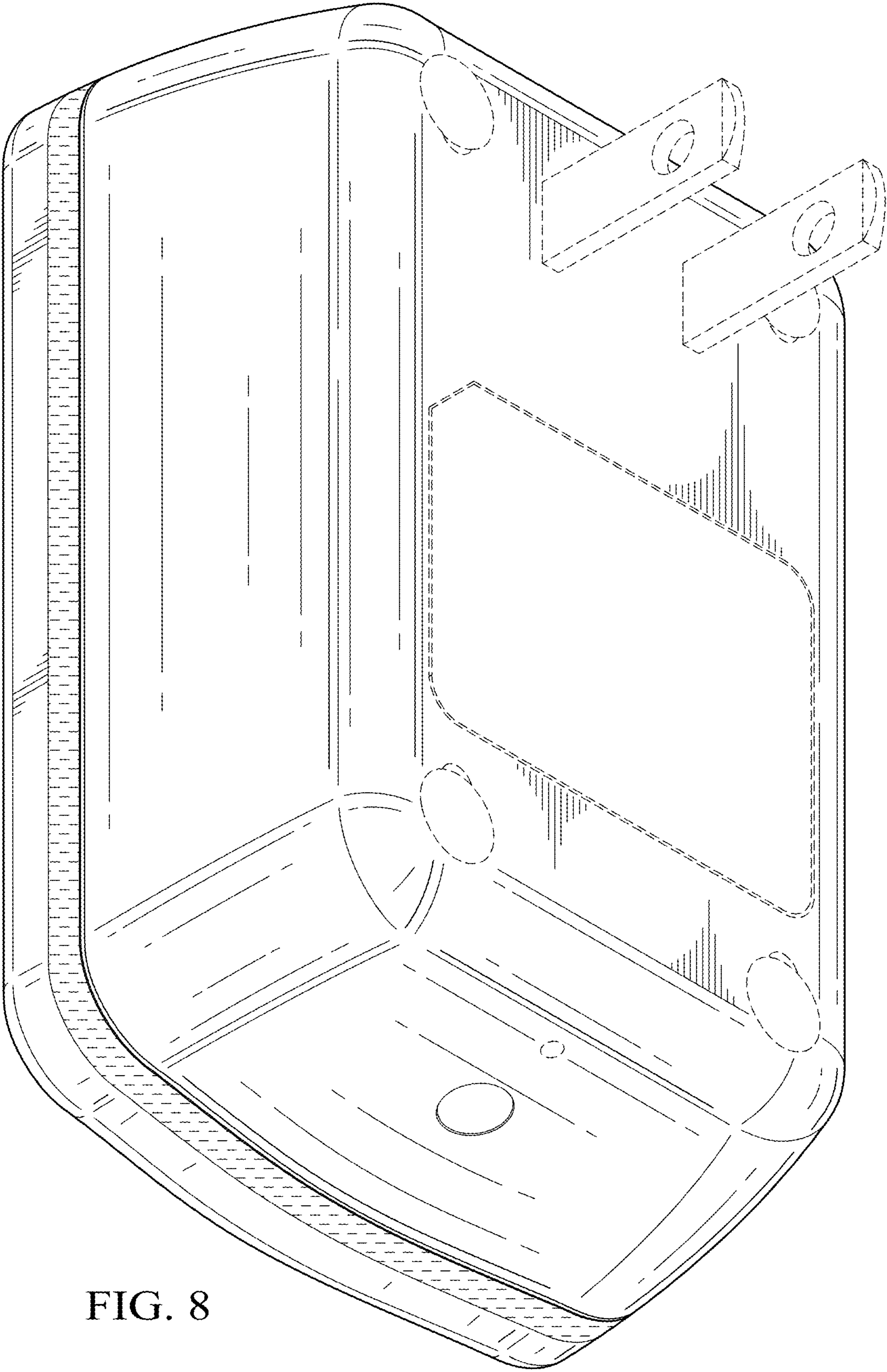


FIG. 8

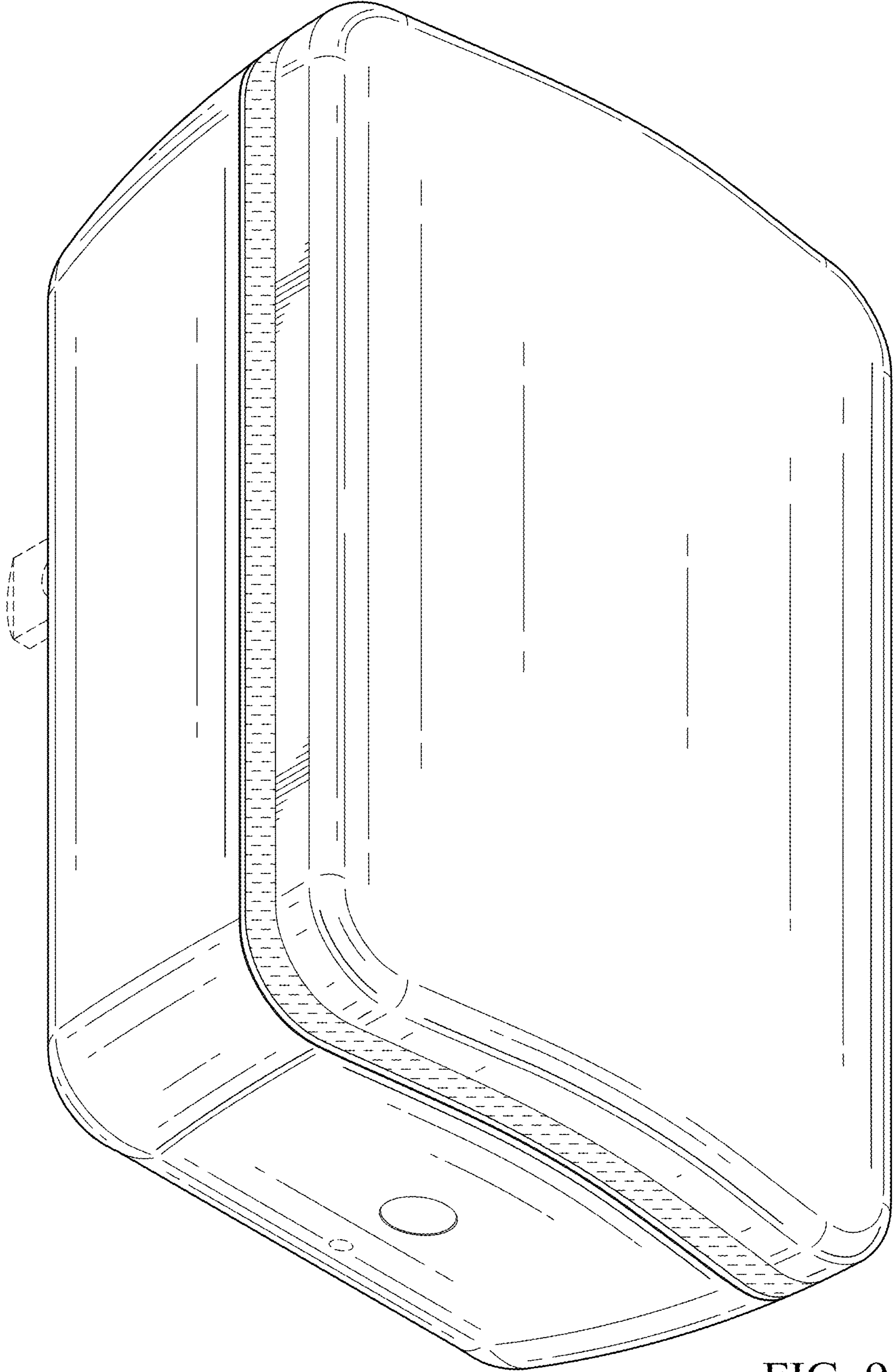


FIG. 9