



US0D1034384S

(12) **United States Design Patent**
Echazabal et al.

(10) **Patent No.:** **US D1,034,384 S**

(45) **Date of Patent:** **** Jul. 9, 2024**

(54) **VEHICLE WHEEL**

(71) Applicant: **Toyota Motor North America, Inc.**,
Plano, TX (US)

(72) Inventors: **Alberto Echazabal**, Prosper, TX (US);
Jakin C. Wilson, Prosper, TX (US)

(73) Assignee: **Toyota Motor North America, Inc.**,
Plano, TX (US)

(**) Term: **15 Years**

(21) Appl. No.: **29/836,176**

(22) Filed: **Apr. 25, 2022**

Related U.S. Application Data

(63) Continuation of application No. 29/711,627, filed on
Nov. 1, 2019, now Pat. No. Des. 953,232.

(51) **LOC (14) Cl.** **12-16**

(52) **U.S. Cl.**
USPC **D12/209**

(58) **Field of Classification Search**
USPC D12/204, 205, 206, 207, 208, 209–213;
D15/10, 33; D21/561, 563
CPC B60B 1/00; B60B 1/08; B60B 1/10; B60B
1/12; B60B 3/02; B60B 3/04; B60B 3/06;
B60B 3/10; B60B 7/00; B60B 7/01;
B60B 7/02; B60B 7/04
See application file for complete search history.

(56) **References Cited**

U.S. PATENT DOCUMENTS

D461,441 S	8/2002	Hartanto	
D496,623 S *	9/2004	Elmitt	D12/211
D521,920 S	5/2006	Phillips	
D527,335 S *	8/2006	Kim	D12/211
D534,473 S	1/2007	Bernoni	
D537,767 S	3/2007	Pfeiffer	

D652,363 S *	1/2012	Chung	D12/211
D654,420 S *	2/2012	Guay	D12/211
D670,227 S *	11/2012	Chung	D12/211
D695,183 S	12/2013	Chung	
D733,027 S *	6/2015	Chung	D12/211
D741,238 S	10/2015	Chung	
D753,573 S	4/2016	Watkin	
D765,007 S *	8/2016	Chung	D12/211
D767,468 S *	9/2016	Stone	D12/211
D775,049 S	12/2016	Scheer et al.	
D800,046 S *	10/2017	Chung	D12/211

(Continued)

OTHER PUBLICATIONS

Vors® TR10 Wheels—White Rims, posted date unknown [online],
[retrieved Mar. 15, 2024]. Retrieved from internet, <https://www.carid.com/vors-wheels/tr10-white-5672873118.html> (Year: 2024).*

(Continued)

Primary Examiner — Darlington Ly
Assistant Examiner — Jeremy Koenig

(74) *Attorney, Agent, or Firm* — Dinsmore & Shohl

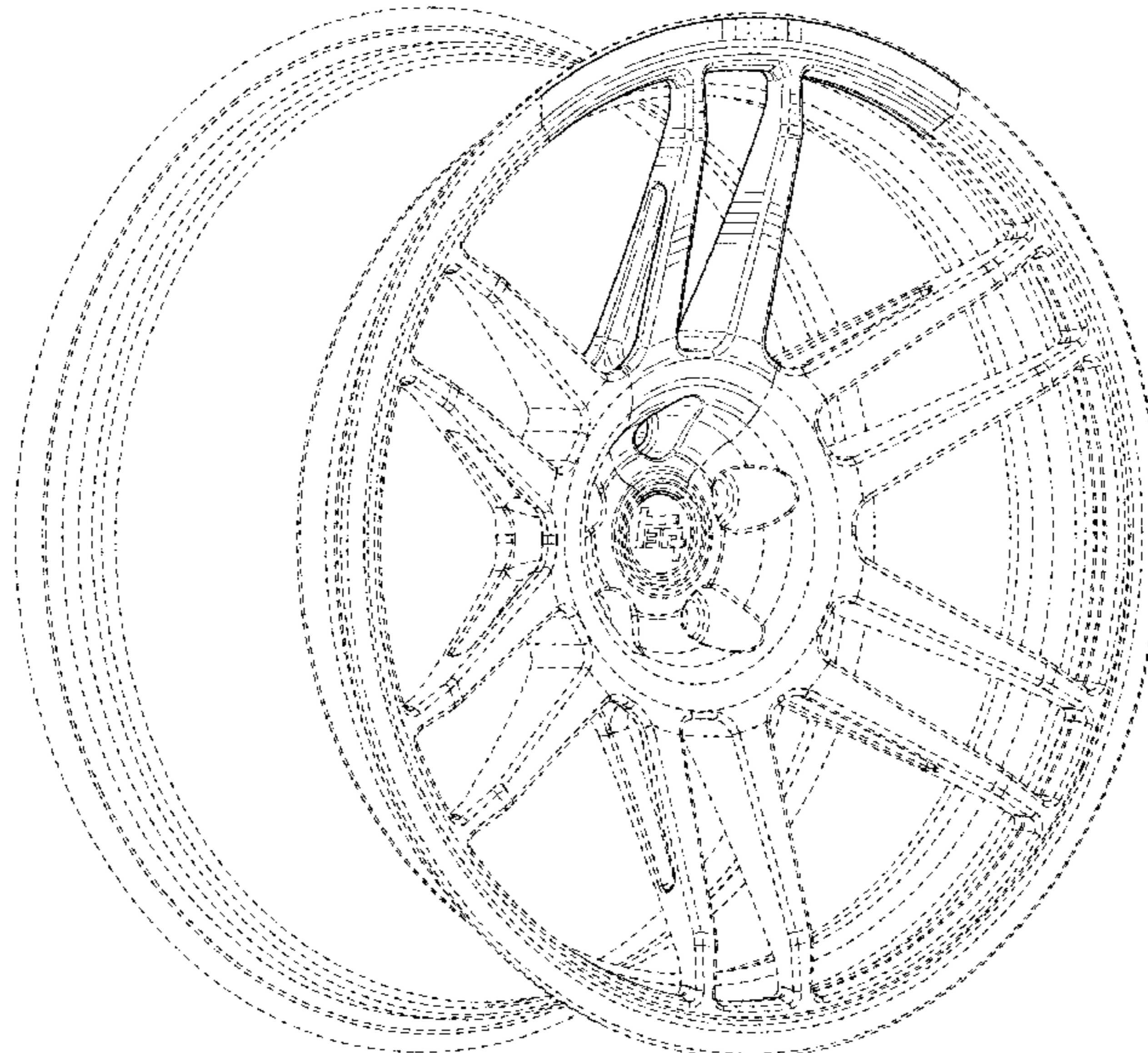
(57) **CLAIM**

The ornamental design for a vehicle wheel, as shown and
described.

DESCRIPTION

FIG. 1 is a front perspective view of a vehicle wheel
illustrating our new design;
FIG. 2 is a rear perspective view thereof;
FIG. 3 is a front elevation view thereof;
FIG. 4 is a rear elevation view thereof; and,
FIG. 5 is a side elevation view thereof.
The broken lines in the drawings are included for the
purpose of illustrating environmental structure and form no
part of the claimed design. The dot-dashed lines are included
for the purpose of illustrating boundary lines and form no
part of the claimed design.

1 Claim, 5 Drawing Sheets



(56)

References Cited

U.S. PATENT DOCUMENTS

D803,751 S	*	11/2017	Chung	D12/209
D806,631 S	*	1/2018	Sempek	D12/211
D817,841 S	*	5/2018	Chung	D12/209
D823,769 S	*	7/2018	Gallert	D12/209
D828,462 S	*	9/2018	Sprowl	D21/563
D849,658 S		5/2019	Lickliter	
D862,341 S	*	10/2019	Kong	D12/208
D866,442 S		11/2019	Celik	
D868,664 S		12/2019	Dewitt et al.	
D883,175 S	*	5/2020	Metros	D12/211
D885,293 S	*	5/2020	Gallert	D12/211

OTHER PUBLICATIONS

2019-2023 Toyota Supra Velgen VF5 Wheel Package, posted date unknown [online], [retrieved Mar. 15, 2024]. Retrieved from internet, <https://kowperformance.com/collections/toyota-wheels/products/2019-2023-toyota-supra-velgen-vf5-wheel-package-front-20x9-5-rear-20x11> (Year: 2024).*

* cited by examiner

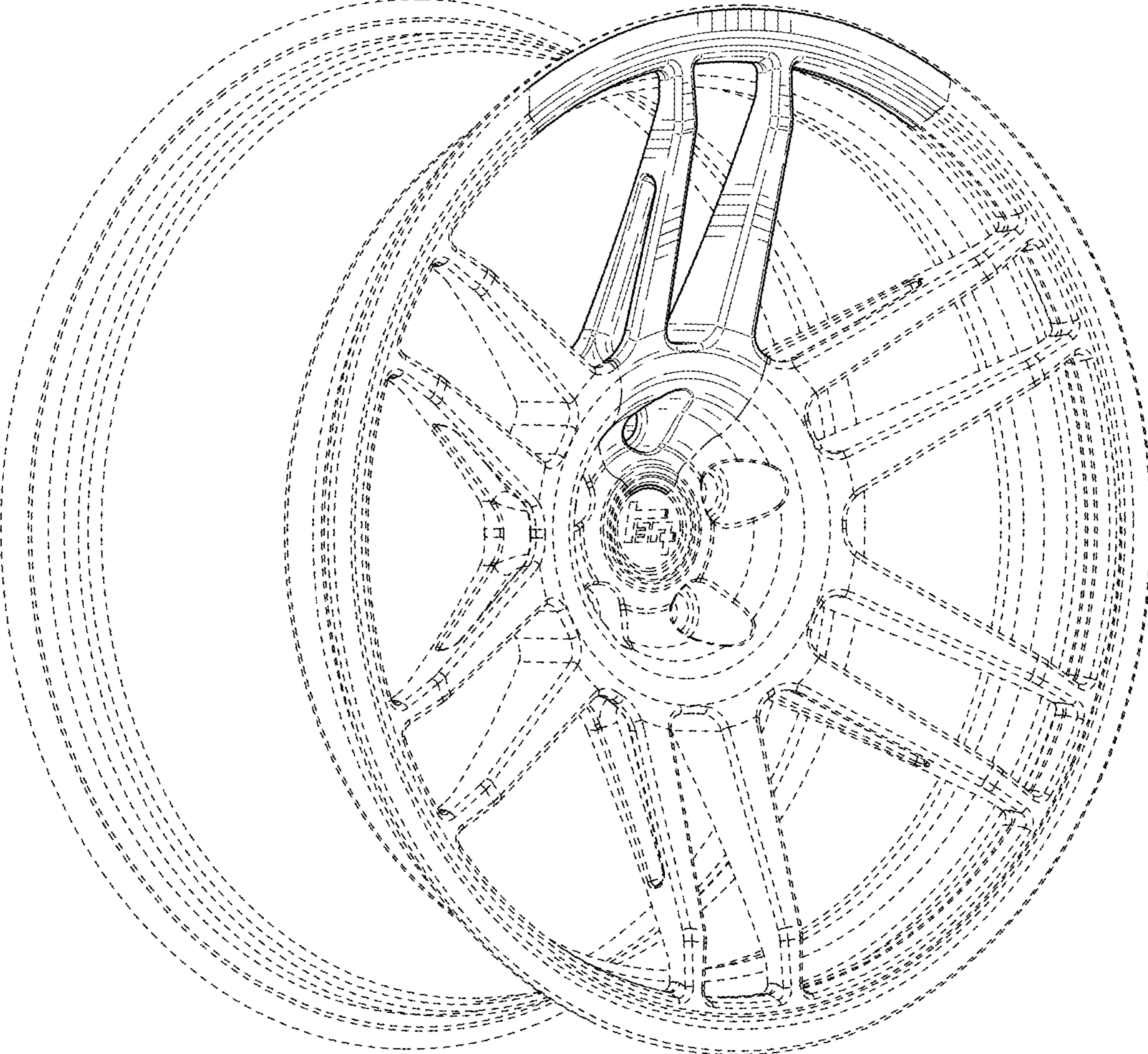


FIG. 1

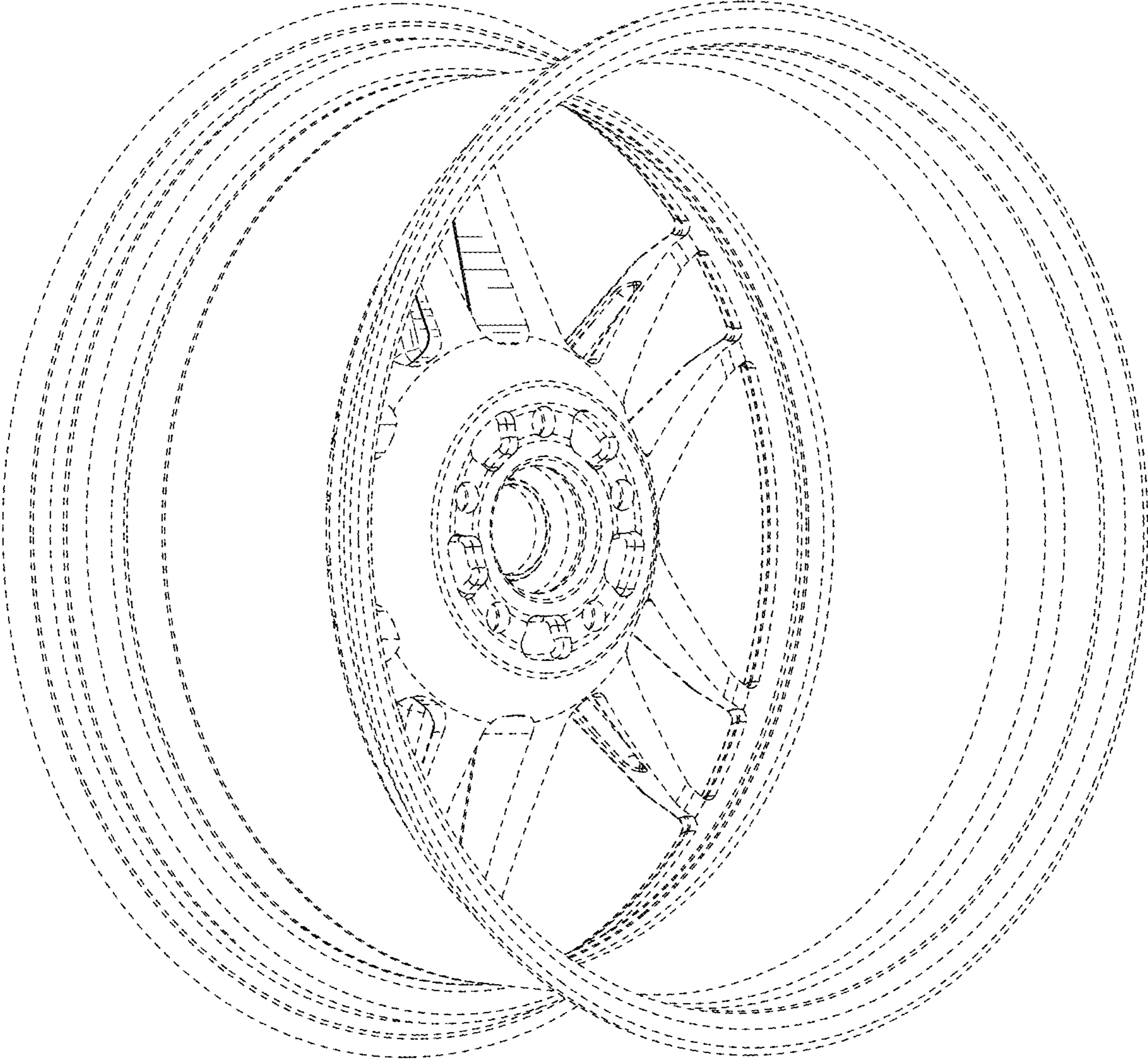


FIG. 2

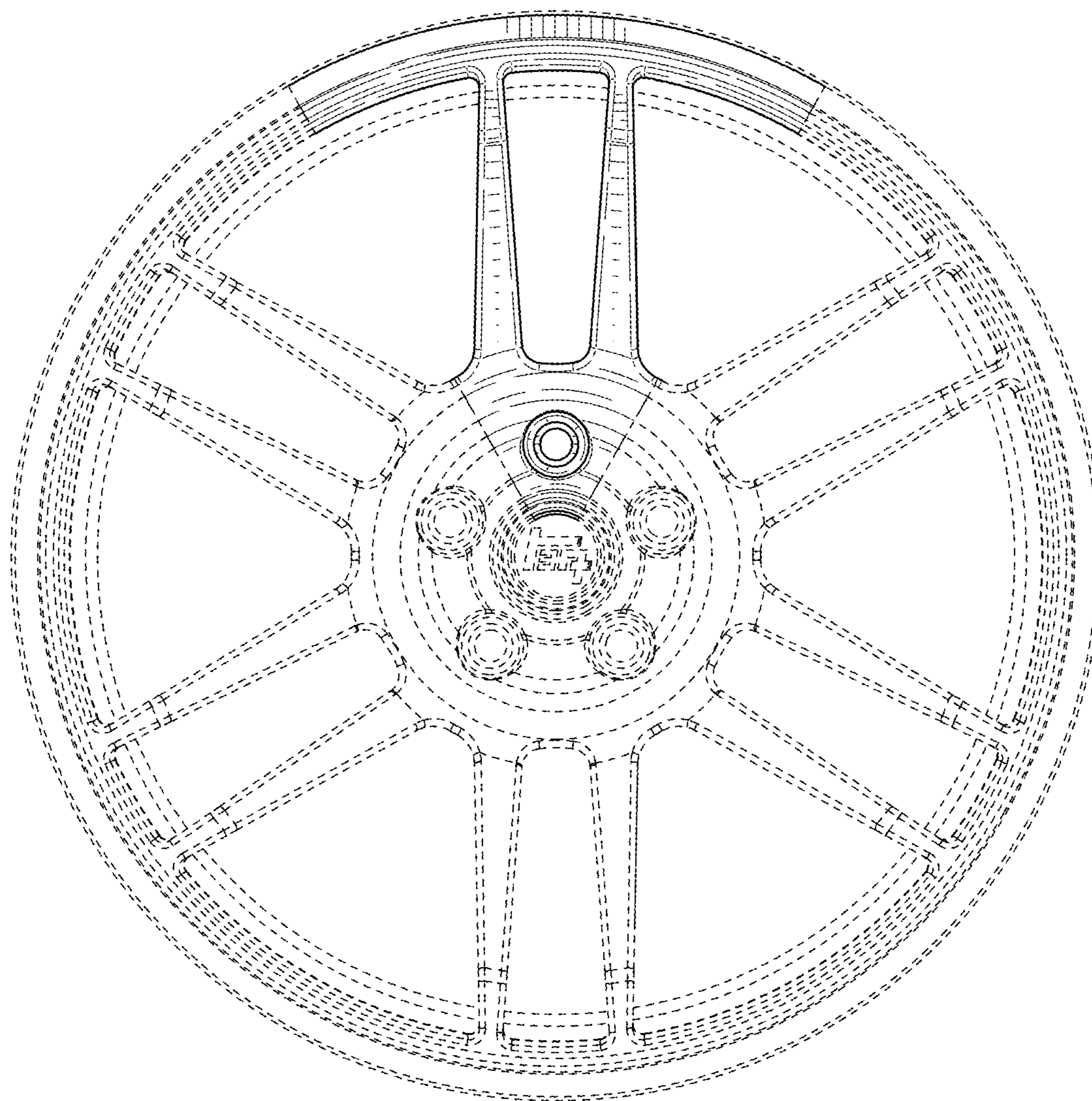


FIG. 3

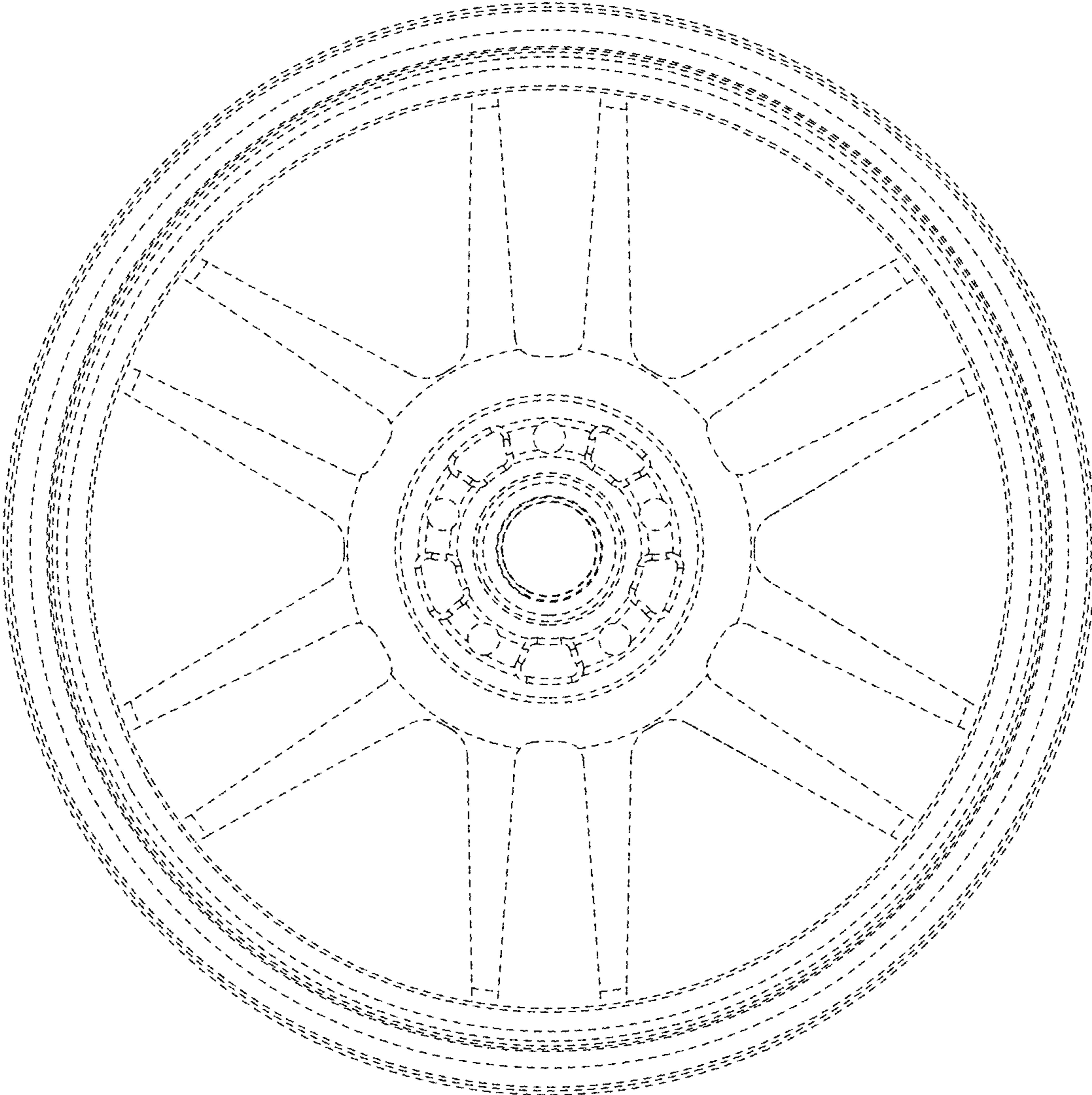


FIG. 4

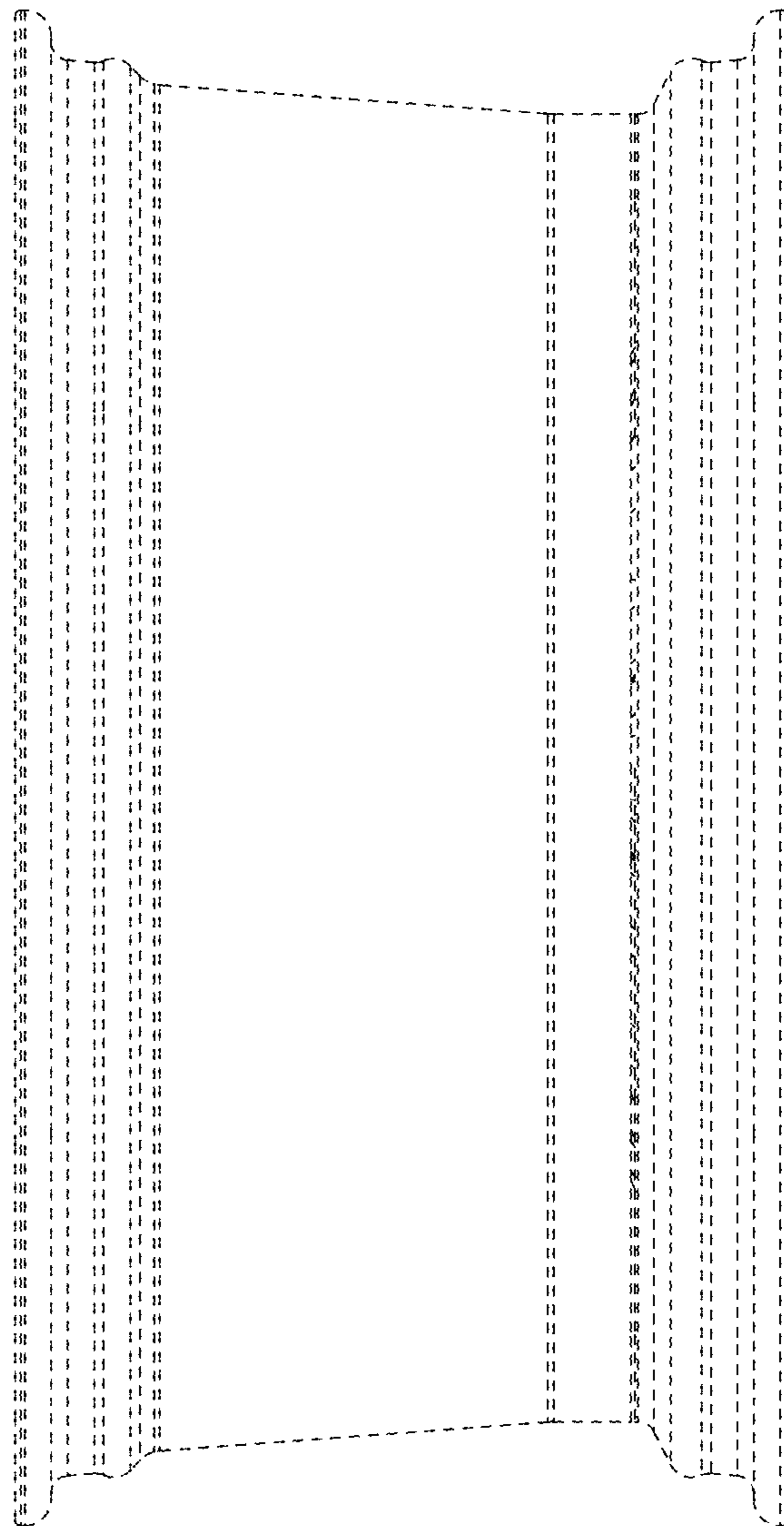


FIG. 5