



US0D1034268S

(12) **United States Design Patent**  
**Walker, Jr.**

(10) **Patent No.: US D1,034,268 S**

(45) **Date of Patent: \*\* Jul. 9, 2024**

(54) **SIGN**

(71) Applicant: **Horace Walker, Jr.**, Tampa, FL (US)

(72) Inventor: **Horace Walker, Jr.**, Tampa, FL (US)

(\*\*) Term: **15 Years**

(21) Appl. No.: **29/757,120**

(22) Filed: **Nov. 3, 2020**

(51) **LOC (14) Cl.** ..... **10-05**

(52) **U.S. Cl.**  
USPC ..... **D10/113.4**

(58) **Field of Classification Search**  
USPC ..... D10/104.1, 109.1, 109.2, 111, 113.4,  
D10/114.1, 114.2, 114.9, 115, 116.1;  
D20/10, 11, 13, 35, 41, 99  
CPC . E01F 9/547; E01F 9/559; E01F 9/608; E01F  
9/629; G08G 1/09; G08G 1/095; G08G  
1/0955; G08G 1/096; G08G 1/096716;  
G09F 13/16

See application file for complete search history.

(56) **References Cited**

**U.S. PATENT DOCUMENTS**

D59,626 S *	11/1921	Dunlap	.....	D20/41
1,683,921 A *	9/1928	Ross	.....	G09F 7/18 40/607.01
1,979,695 A *	11/1934	Luce	.....	G09F 13/16 362/812
2,217,125 A *	10/1940	Meigs	.....	G09F 13/16 359/547
2,679,635 A *	5/1954	Hart	.....	G08G 1/095 40/612
4,951,407 A *	8/1990	Werner	.....	G09F 7/22 40/608
D354,991 S *	1/1995	DeSutter	.....	D20/42
6,057,785 A *	5/2000	Guthrie	.....	G08G 1/164 340/904

D534,219 S *	12/2006	Seljeseth	.....	D20/42
8,081,067 B2	12/2011	Vidri et al.		
D706,156 S *	6/2014	Branch	.....	D10/109.1
9,245,465 B1	1/2016	Geyer et al.		
2006/0201038 A1	9/2006	Haubert		
2011/0198448 A1*	8/2011	Allement	.....	B61K 5/06 246/163
2020/0143717 A1*	5/2020	Evans	.....	G09F 21/02
2022/0026035 A1*	1/2022	Ragan	.....	F21S 8/083

**FOREIGN PATENT DOCUMENTS**

JP	2014201298 A	10/2014
KR	101519839 B1	5/2015

\* cited by examiner

*Primary Examiner* — Joseph Kukella  
*Assistant Examiner* — Heather Wencil

(57) **CLAIM**

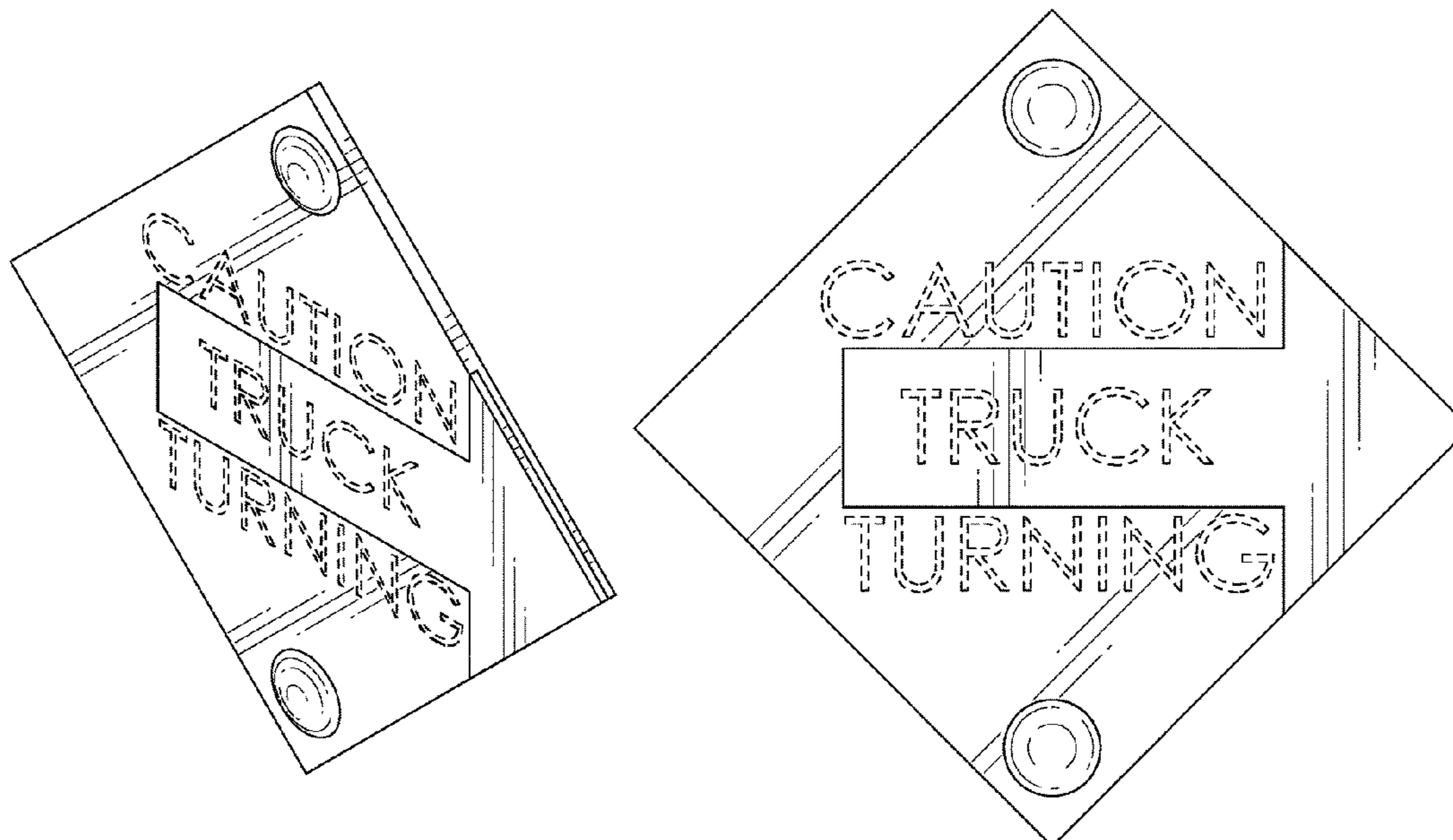
The ornamental design for a sign, as shown and described.

**DESCRIPTION**

FIG. 1 is a front-top perspective view of a sign showing my new design;  
FIG. 2 is a front-bottom perspective view thereof;  
FIG. 3 is a front elevational view thereof;  
FIG. 4 is a rear elevational view thereof;  
FIG. 5 is a left elevational view thereof;  
FIG. 6 is a top plan view thereof;  
FIG. 7 is a bottom plan view thereof; and,  
FIG. 8 is a supplemental view of the sign in a configuration of use.

The long dash broken lines depict portions of a sign that form no part of the claimed design. The short dash broken lines depict environmental subject matter that form no part of the claimed design.

**1 Claim, 8 Drawing Sheets**



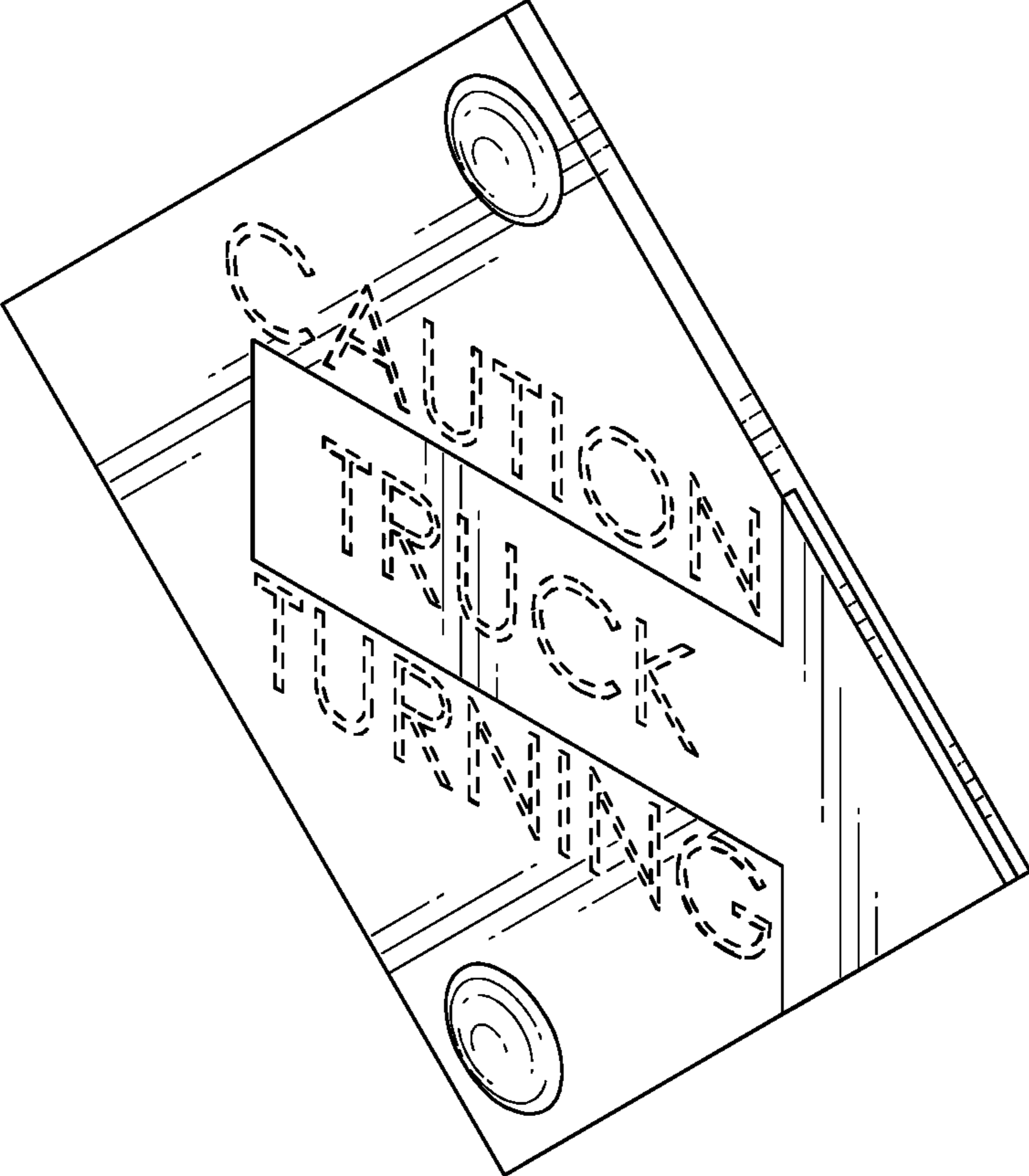


FIG. 1

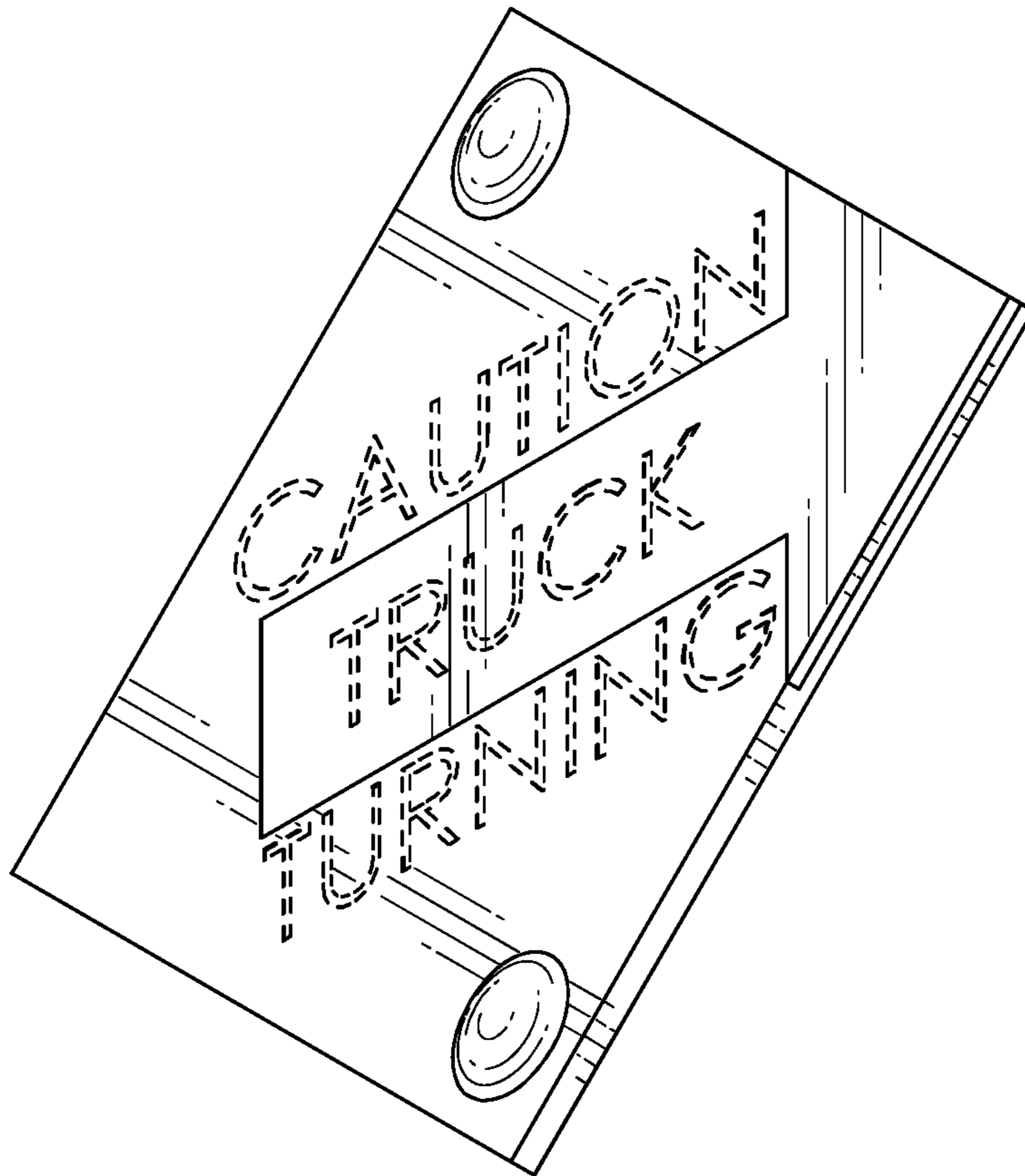


FIG. 2

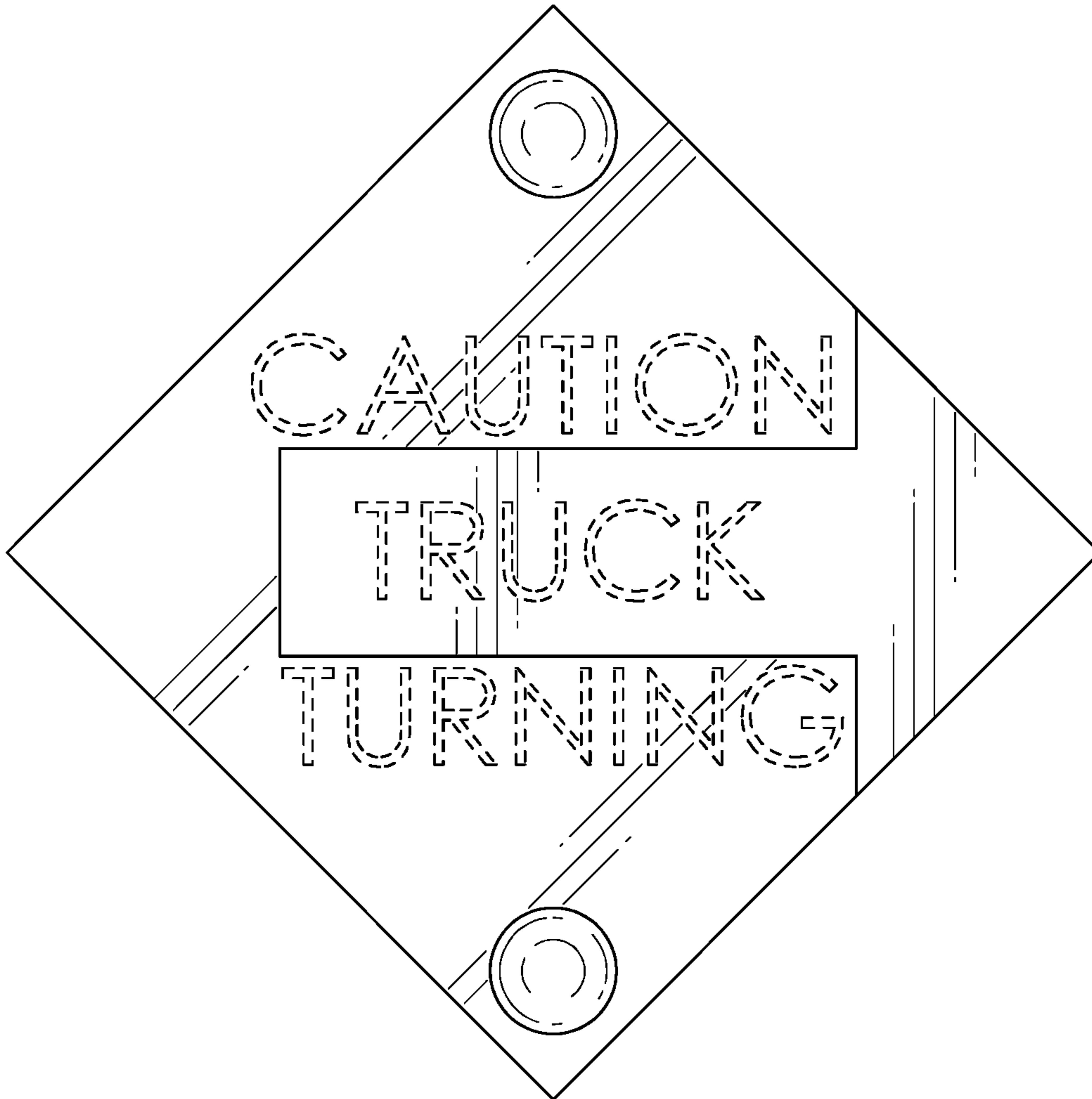


FIG. 3

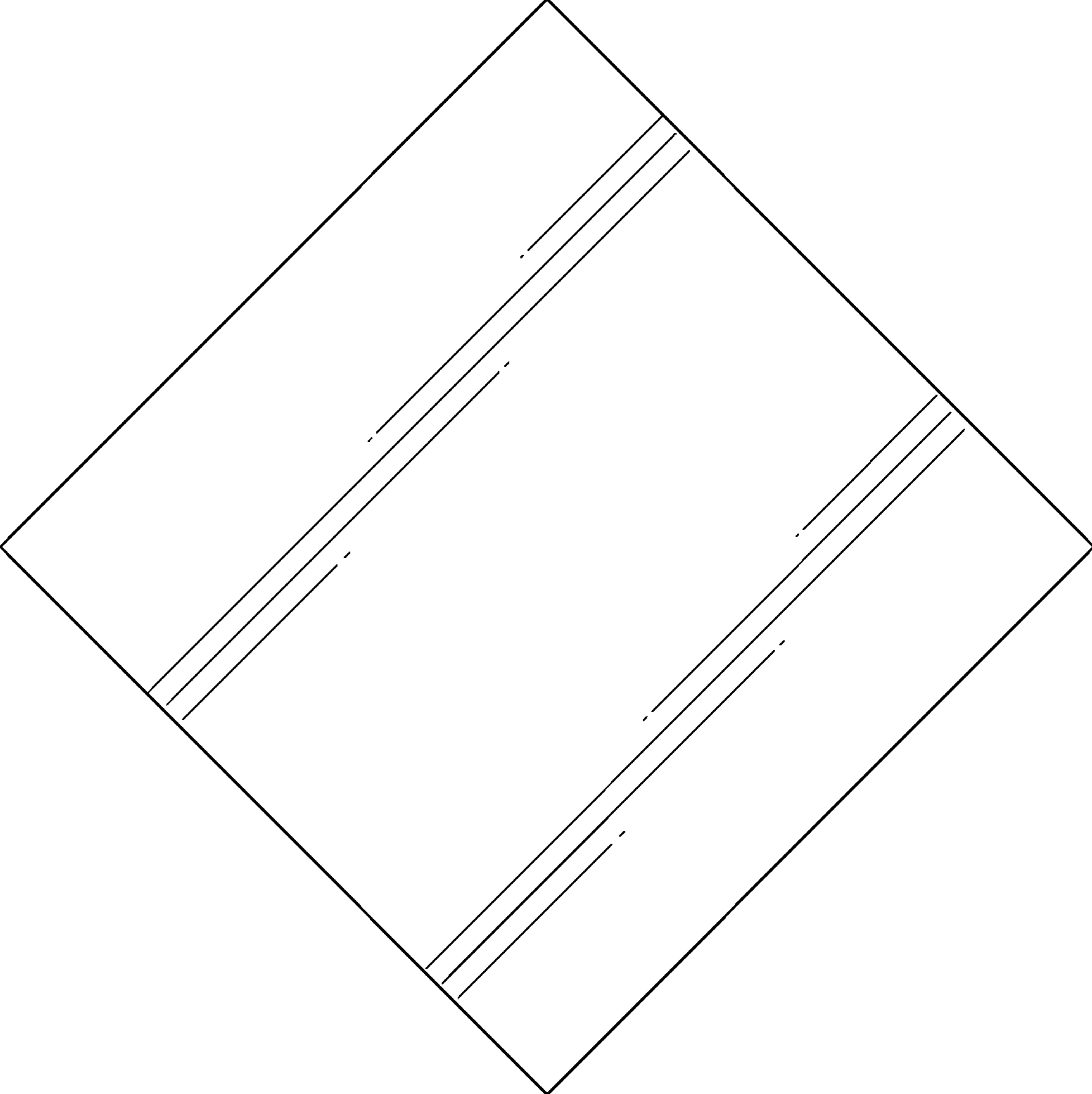


FIG. 4

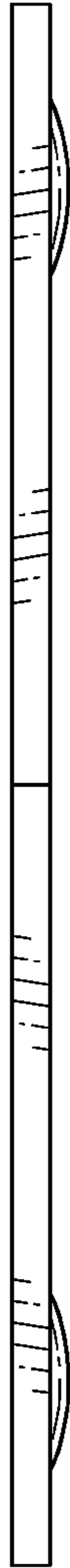


FIG. 5



FIG. 6



FIG. 7



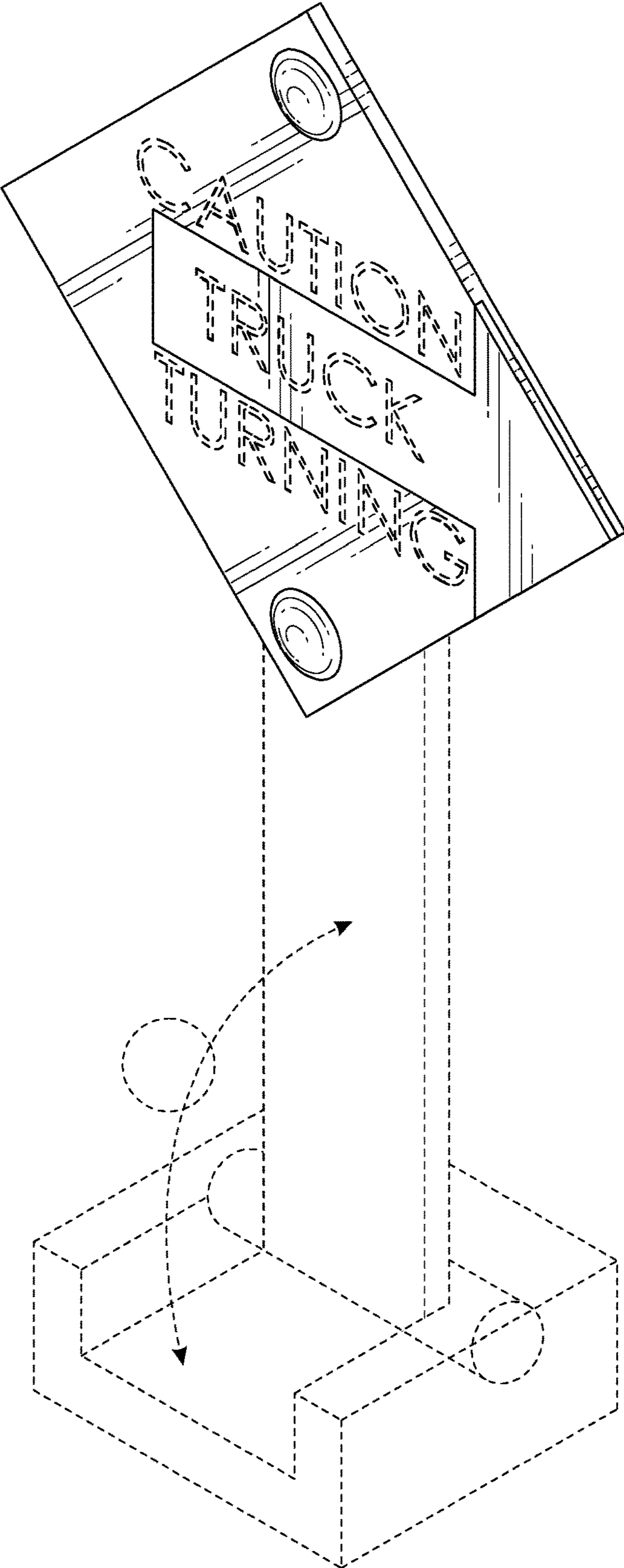


FIG. 8